

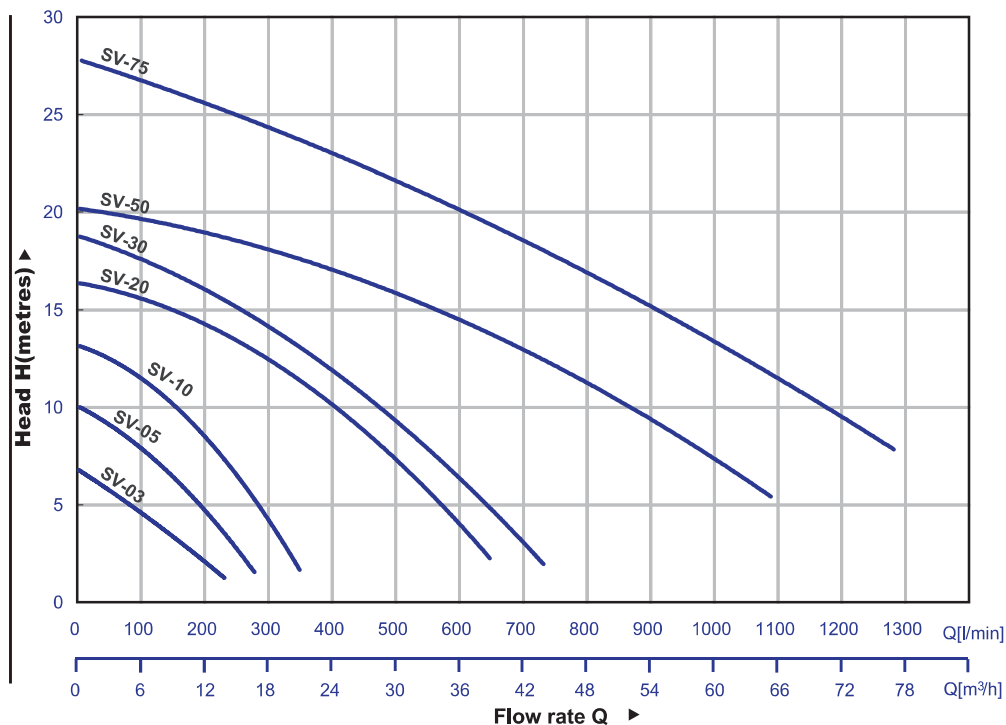
General Data/Material



Operating Conditions	Applications	Waste water and Sewage for domestic purposes
	Fluid Temperature	0 to 40 °C
Motor	Type	Dry Type
	Pole	2-pole
	Insulation	Class F
	Protection	IP68
Pump	Protection Device	Thermal Protector (single phase) Overload Protector (three phase)
	Impeller	Vortex Impeller
	Shaft Seal/Material	Double Mechanical Seal and one Oil Seal
	Bearing	Double-shielded Ball Bearing

Component	Material
Cable	H07RN-F
Handle	Nylon SS 41
Motor Cover	Cast Iron GJL 200
Seal Housing	Cast Iron GJL 200
Bracket	Cast Iron GJL 200
Oil Chamber	Cast Iron GJL 200
Pump Casing	Cast Iron GJL 200
Impeller	Cast Iron GJL 200
Mechanical seal: Upper	CA/CE
Lower	Sic/Sic
Oil Seal	NBR
Shaft	AISI 410
Motor Housing	AISI 304

Characteristic curves N=2900 rpm



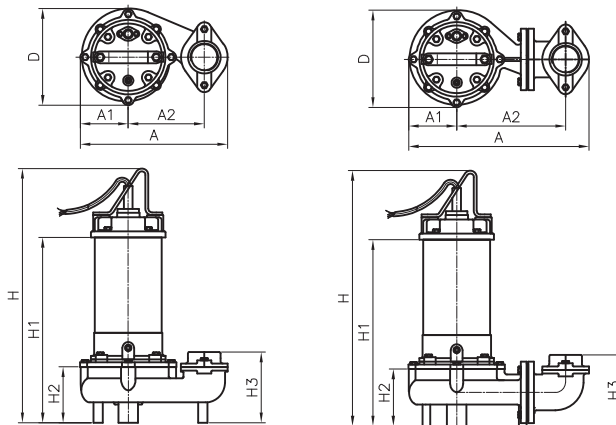
Specifications

Model	Power HP (kW)	Discharge inch	Phase	Standard		Max		Solid Passage mm	N.W. kg	Cable M
				Head M	Capacity LPM	Head M	Capacity LPM			
SV-03-50	1/3 (0.25)	2"	1φ/3φ	4	120	7	220	35	12.5	10
SV-05-50	1/2 (0.37)	2"	1φ/3φ	6	150	10	280	35	13.5	10
SV-10-50	1 (0.75)	2"	1φ/3φ	8	200	13.5	350	35	18.5	10
SV-20-50(80)	2 (1.5)	2"/3"	1φ/3φ	10	400	17	650	35	34	10
SV-30-50(80)	3 (2.2)	2"/3"	3φ	11	450	19	750	35	35	10
SV-50-80(100)	5 (3.7)	3"/4"	3φ	15	550	20	1100	50	57	10
SV-75-80(100)	7.5 (5.5)	3"/4"	3φ	20	650	28	1200	50	63	10

SV-03-50 ~ SV-05-50: Threaded Flange Type
 SV-10-50: Threaded Flange Type or Elbow Type (2")

SV-20-50(80) ~ SV-30-50(80): Elbow Type (2" or 3")
 SV-50-80(100) ~ SV-75-80(100): Elbow Type (3" or 4")
 Auto Float Switches are available in Single-phase

Dimensions and Weights



Model	Dimension (mm)							
	A	A1	A2	D	H	H1	H2	H3
SV-03-50	222	73	115	145	385	272	113	133
SV-05-50	240	86	115	153	426	309	109	124
SV-10-50	240	86	115					33
SV-20-50(80)	387	103	234	208	548	400	122	153
SV-30-50(80)	387	103	234	208	568	420	122	153
SV-50-80(100)	459	110	256	227	638	471	160	220
SV-75-80(100)	459	110	256	227	678	511	160	220