

SC Submersible Cutter Sewage Pumps

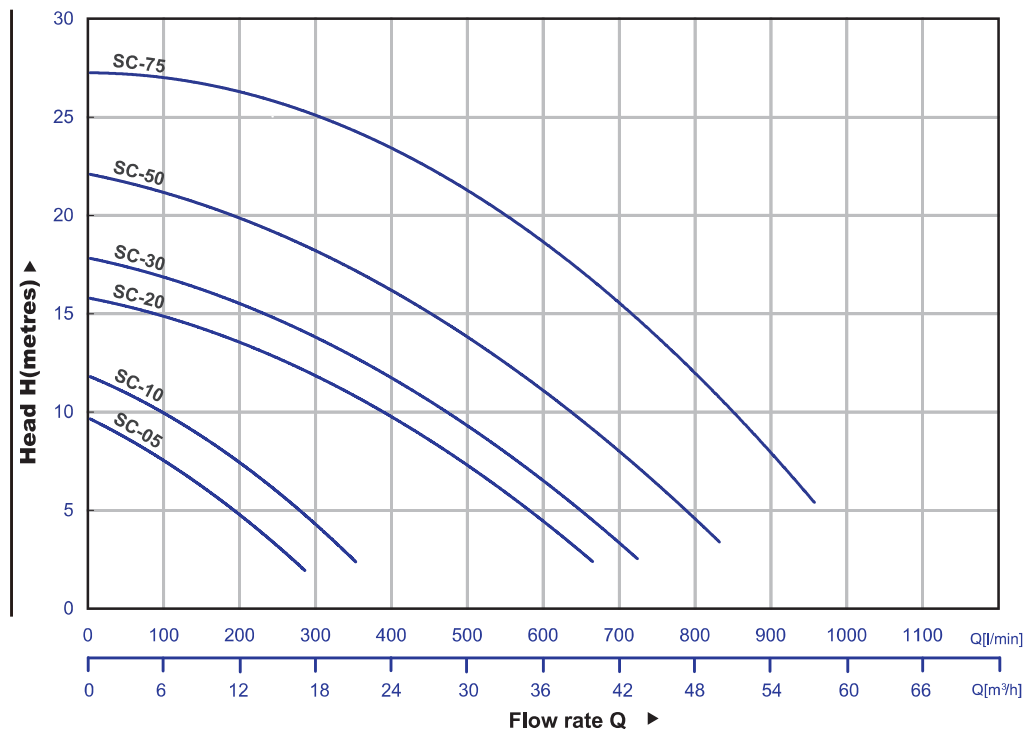
General Data/Material



Operating Conditions	Applications	Waste water for domestic and civil purposes
	Fluid Temperature	0 to 40 °C
Motor	Type	Dry Type
	Pole	2-pole
	Insulation	Class F
	Protection	IP68
Pump	Protection Device	Thermal Protector
	Impeller	Semi-Open Impeller with Tungsten Carbide Edge
	Shaft Seal/Material	Double Mechanical Seal and one oil Seal
	Bearing	Double-shielded Ball Bearing

Component	Material
Cable	H07RN-F
Handle	Nylon SS 41
Motor Cover	Cast Iron GJL 200
Seal Housing	Cast Iron GJL 201
Bracket	Cast Iron GJL 202
Oil Chamber	Cast Iron GJL 203
Pump Casing	Cast Iron GJL 204
Impeller	Cast Iron GJS 450
Mechanical seal: Upper	CA/CE
Lower	Sic/Sic
Oil Seal	NBR
Cutter edge	Tungsten
Shaft	AISI 410
Motor Housing	AISI 304

Characteristic curves N=2900 rpm



Specifications

Model	Power HP (kW)	Discharge inch	Phase	Standard		Max		Solid Passage mm	N.W. kg	Cable M
				Head M	Capacity LPM	Head M	Capacity LPM			
SC-05-50	1/2 (0.37)	2"	1 ϕ /3 ϕ	6	150	8	300	22	13.5	10
SC-10-50	1 (0.75)	2"	1 ϕ /3 ϕ	9	210	12	400	22	18.5	10
SC-20-50(80)	2 (1.5)	2"/3"	1 ϕ /3 ϕ	10	400	16	700	22	34	10
SC-30-50(80)	3 (2.2)	2"/3"	3 ϕ	13	550	18	750	22	35	10
SC-50-80(100)	5 (3.7)	3"/4"	3 ϕ	18	600	22	900	28	57	10
SC-75-80(100)	7.5 (5.5)	3"/4"	3 ϕ	20	650	28	1000	28	63	10

SC-05-50: Threaded Flange Type

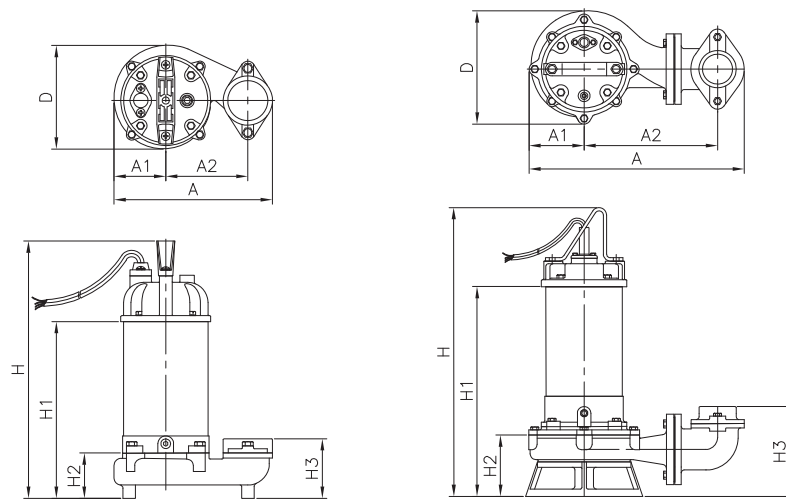
SC-10-50: Threaded Flange type or Elbow Type

SC-20-50(80)~SC-30-50(80): Elbow Type (2" or 3")

SC-50-80(100)~SC-75-80(100): Elbow Type (3" or 4")

Auto Float Switches are available in Single-phase

Dimensions and Weights



Model	Dimension (mm)							
	A	A1	A2	D	H	H1	H2	H3
SC-05-50	222	73	115	145	361	248	64	84
SC-10-50	222	73	115	149	416	292	64	84
SC-20-50(80)	403	103	250	212	541	393	115	169
SC-30-50(80)	403	103	250	212	561	413	115	169
SC-50-80(100)	463	110	260	227	610	445	137	220
SC-75-80(100)	463	110	260	227	650	485	137	220