

1 SOLOLIFT2 C-3



: 97775317

Sololift2 C-3 –

Sololift2 C-3

Sololift2 C-3

- ()
- Ø22-40
- „ » , ,
- () Ø36 40
-
-

EN12050-2,

: 75(90) °C
998.2 / 3

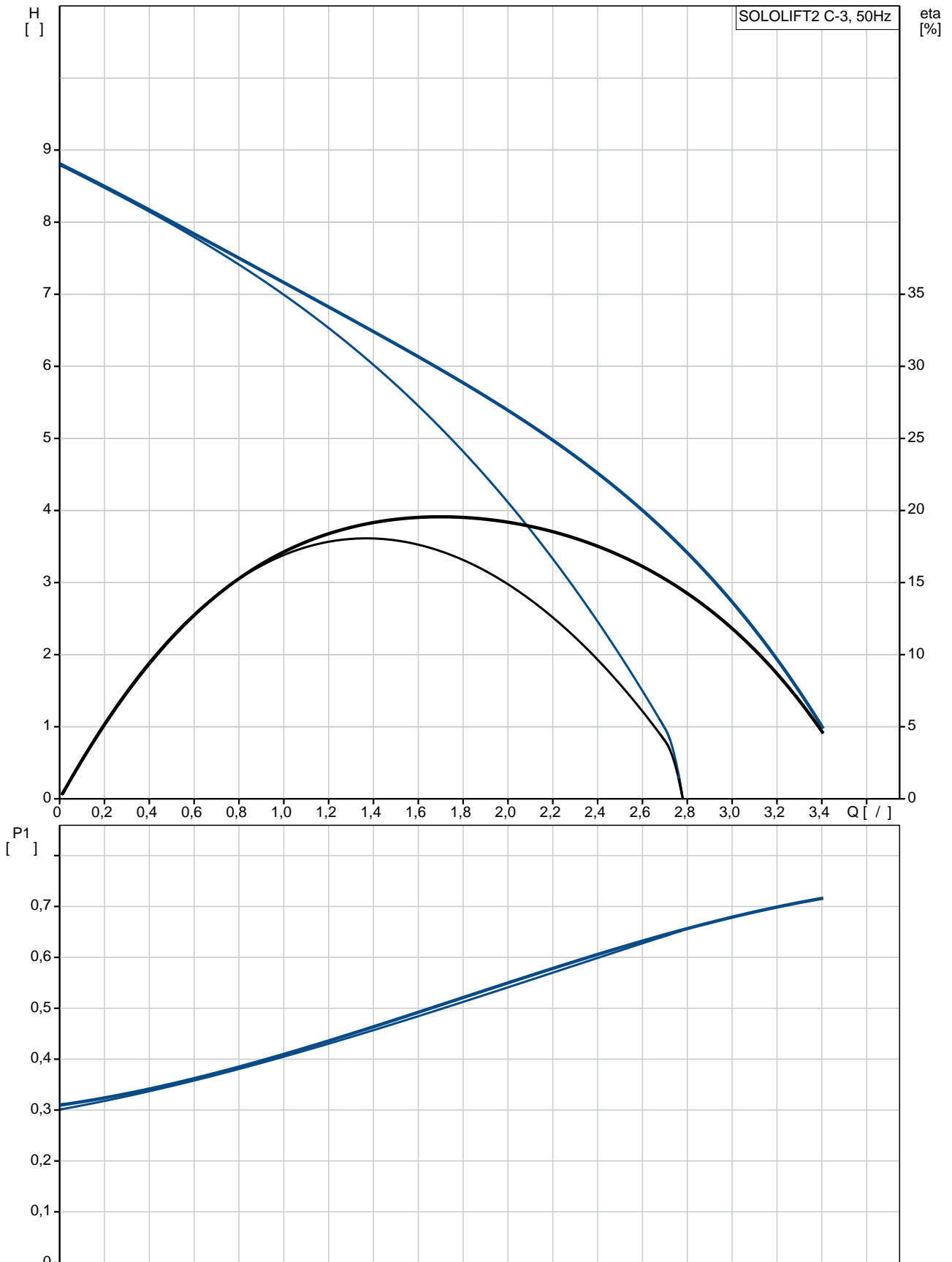
: CE,TR,VDEEMV,VDE,MORO
- : ISO9906:2012 3B

32/36/40, 36/40/50
22/25/28/32/36/40
3X0,75MM2

- P1: 640
50 Hz
1 x 220-240
3.1 A
Cos phi - 0.9
2800 /
(IEC 34-5): IP44
(IEC 85): F
1.2
H05VV-F-3G
SCHUKO

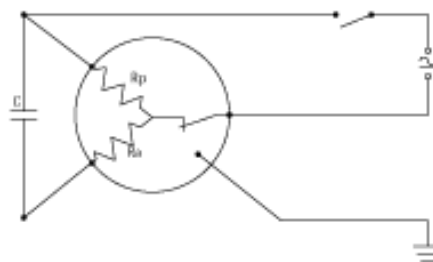
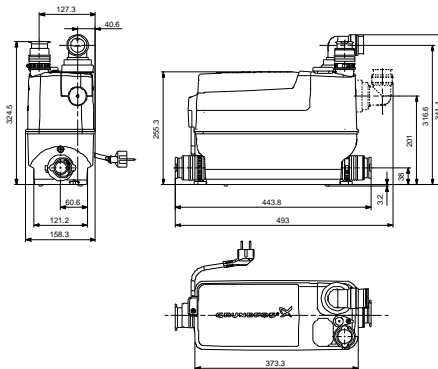
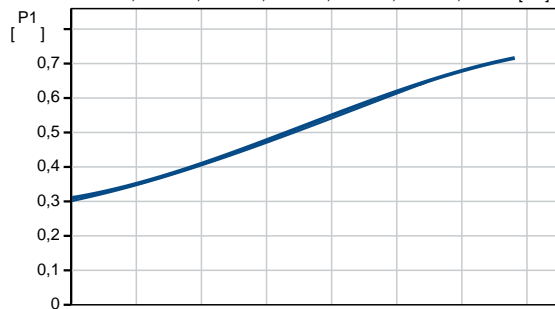
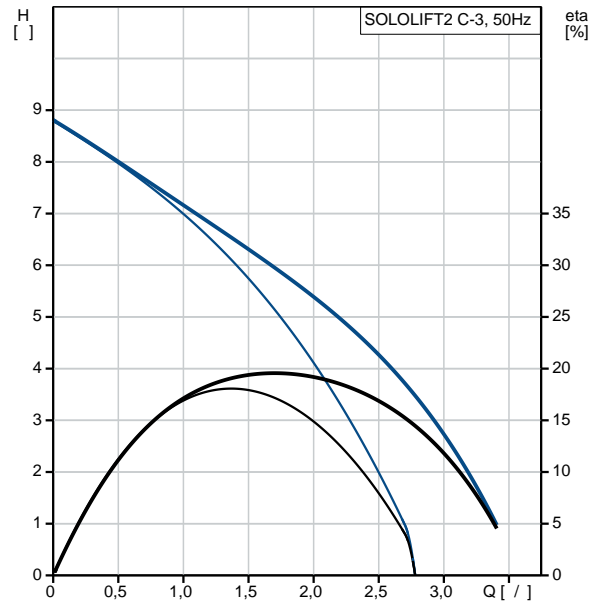
7.75
(): 9.3
Danish VVS No.: 614365632
Swedish RSK No.: 5886547
Finnish LVI No.: 4965315
Norwegian NRF no.: 9045711
C : RS
8413702100

97775317 SOLOLIFT2 C-3 50

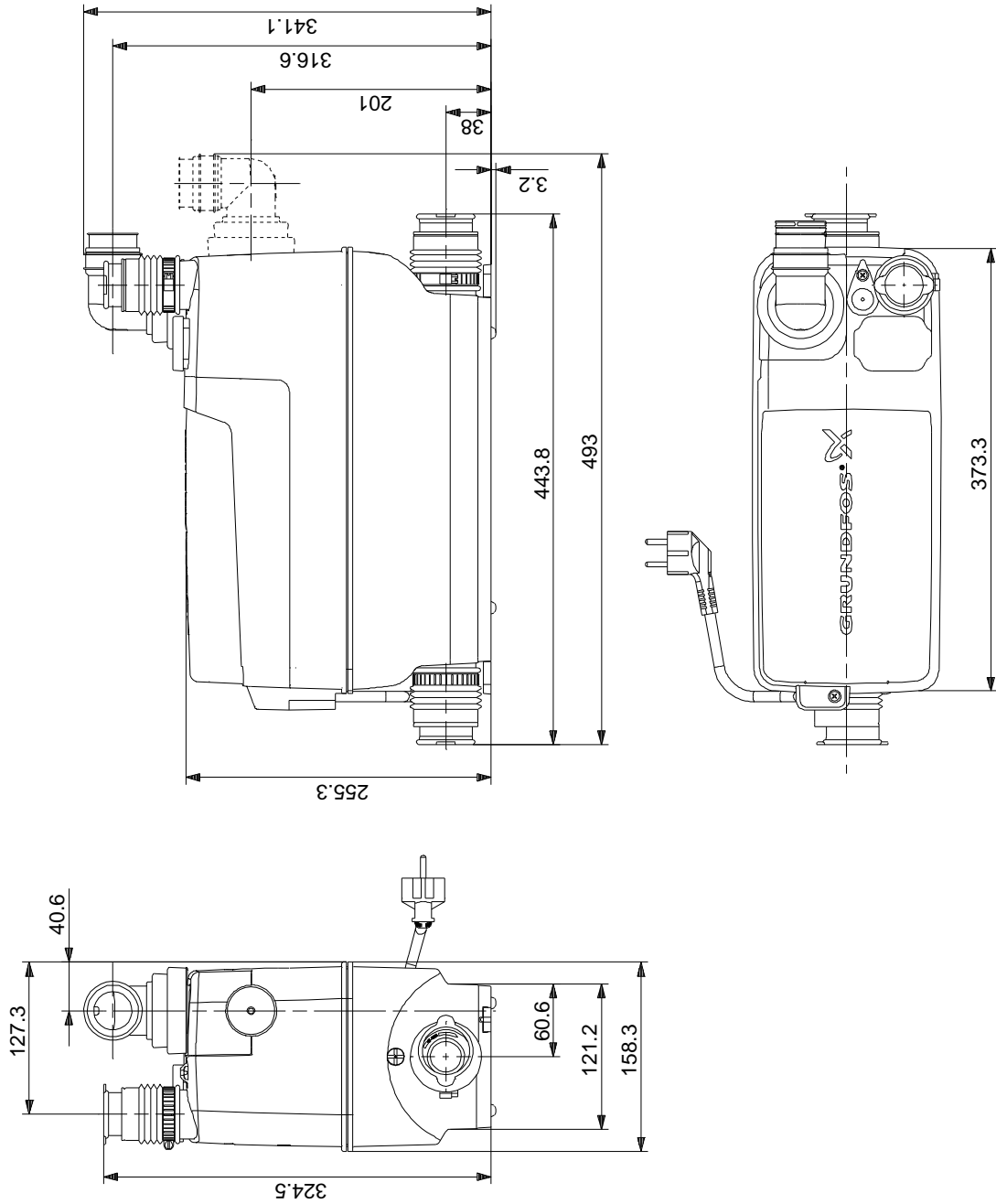


27.07.2020

	SOLOLIFT2 C-3
	97775317
EAN	5710624187265
	5710624187265
	330,00 UER
	8.5
	CE,TR,VDEEMV,VDE,MO RO
	ISO9906:2012 3B
	32/36/40, 36/40/50
	22/25/28/32/36/40
	3X0,75MM2
	75(90) °C
	998.2 / ³
	- P1: 640
	50 Hz
	1 x 220-240
	3.1 A
Cos phi -	0.9
	2800 /
	(IEC 34-5): IP44
	(IEC 85): F
	THERMIK S06-140-05
	1.2
	H05VV-F-3G
	SCHUKO
	7.75
():	9.3
Danish VVS No.:	614365632
Swedish RSK No.:	5886547
Finnish LVI No.:	4965315
Norwegian NRF no.:	9045711
C	RS
	8413702100



97775317 SOLOLIFT2 C-3 50



97775317 SOLOLIFT2 C-3 50

