

1 SOLOLIFT2 WC-3



: 97775315

Sololift2 WC-3 -

Sololift2 WC-3

Sololift2 WC-3

•

- ()
- Ø22-40
- « »
- DN100
- () Ø36 40
- ()
-
-
-

EN12050-2,

: 50 °C
998.2 / 3

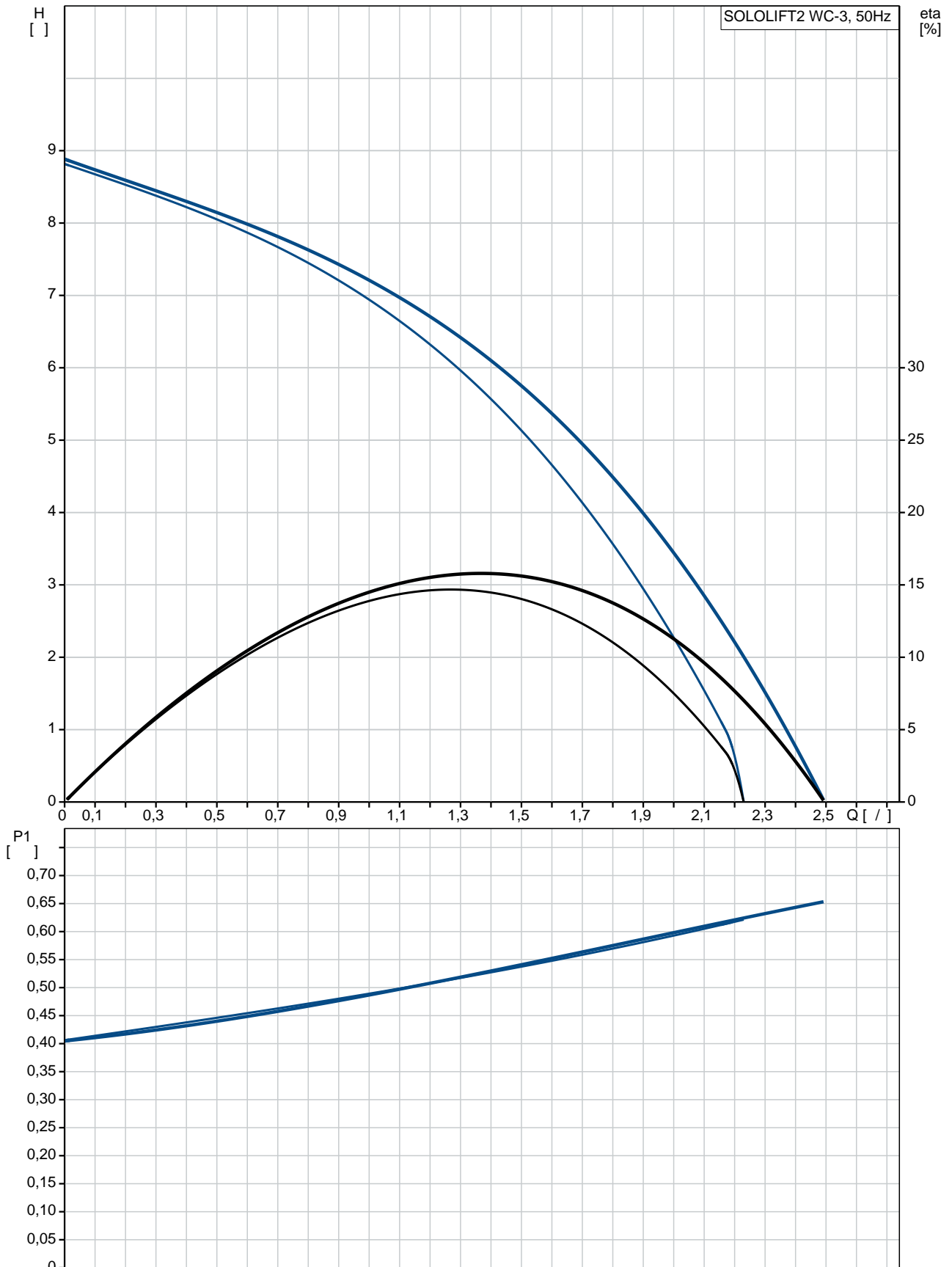
: CE,TR,VDEEMV,VDE,MORO
 - : ISO9906:2012 3B

 :
 :
 : 32/36/40, 36/40/50, DN 100
 : 22/25/28/32/36/40
 : 3X0,75MM2

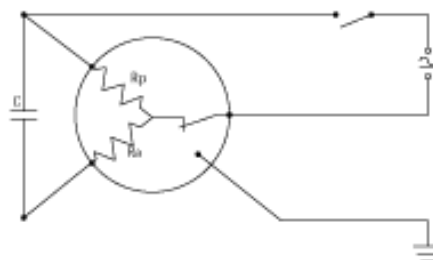
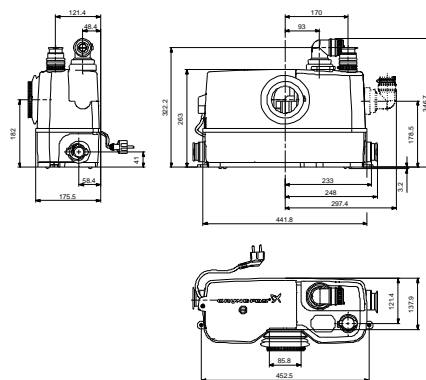
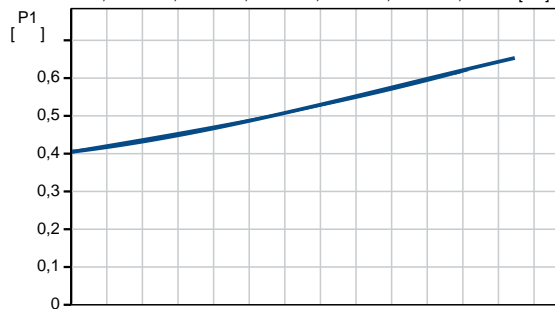
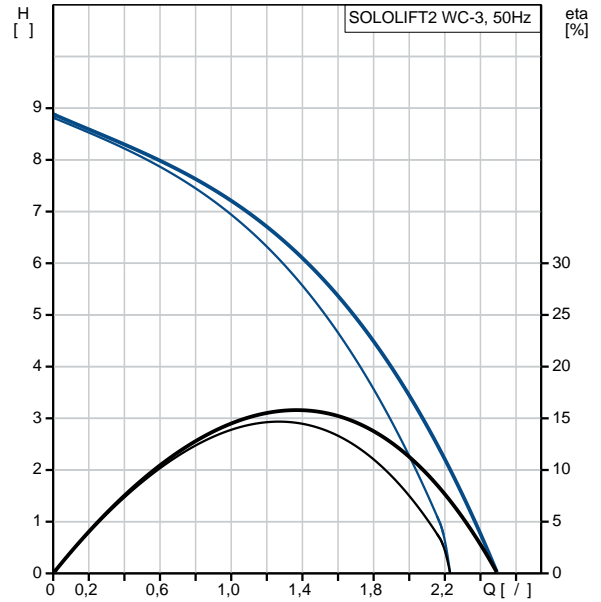
 :
 - P1: 620
 : 50 Hz
 : 1 x 220-240
 : 3 A
 Cos phi - : 0.92
 : 2800 /
 (IEC 34-5): IP44
 (IEC 85): F
 : 1.2
 : H05VV-F-3G
 : SCHUKO

 :
 : 7.79
 : 9.8
 Danish VVS No.: 614363632
 Swedish RSK No.: 5886546
 Finnish LVI No.: 4965313
 Norwegian NRF no.: 9045715
 C : RS
 : 8413702100

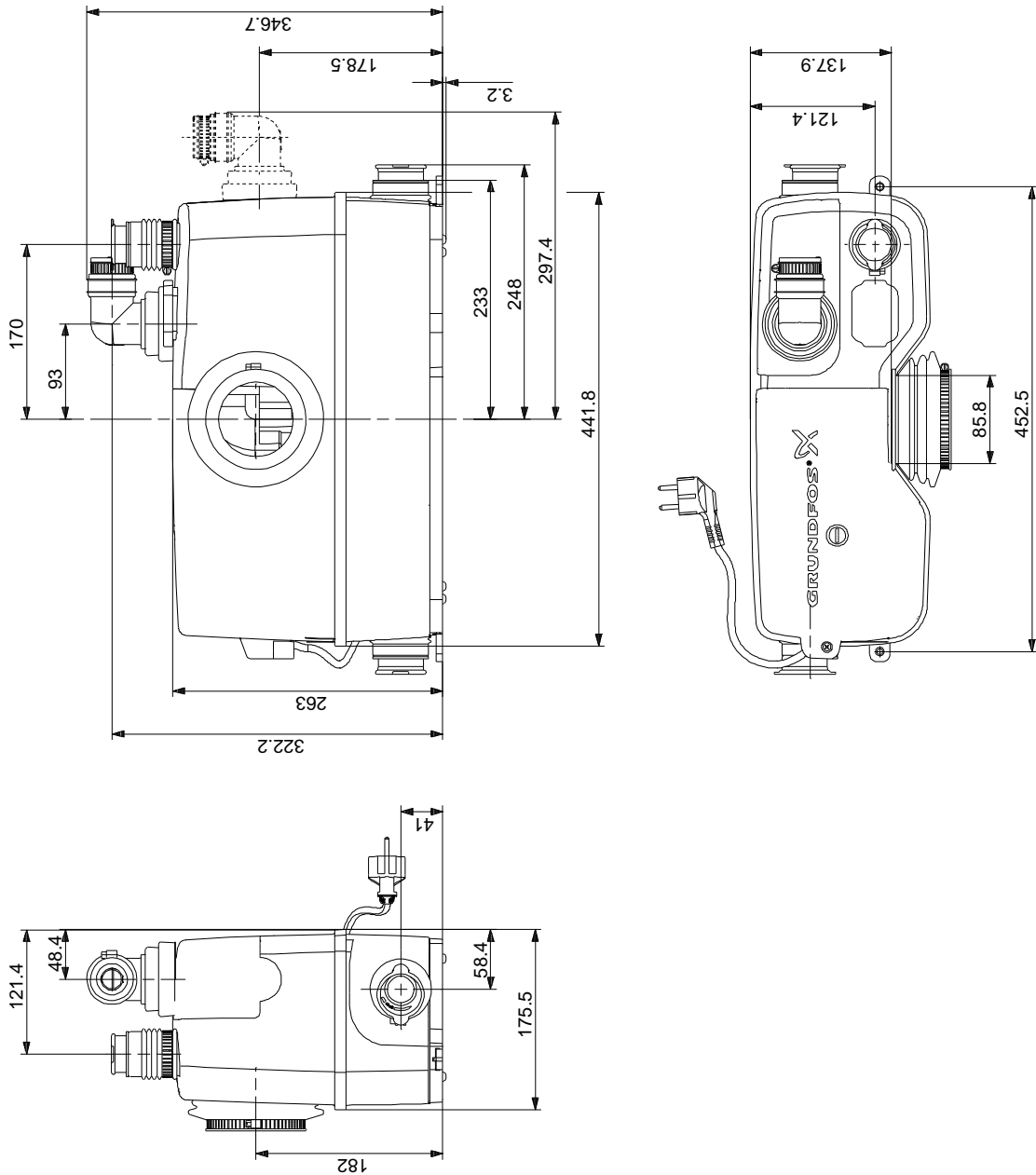
97775315 SOLOLIFT2 WC-3 50



	SOLOLIFT2 WC-3
	97775315
EAN	5710624187241
	5710624187241
	367,00 UER
	8.5
	CE,TR,VDEEMV,VDE,MO RO
	ISO9906:2012 3B
	32/36/40, 36/40/50, DN 100
	22/25/28/32/36/40
	3X0,75MM2
	50 °C
	998.2 / 3
	- P1: 620
	50 Hz
	1 x 220-240
	3 A
Cos phi	0.92
	2800 /
	(IEC 34-5): IP44
	(IEC 85): F
	THERMIK S06-150-05
	1.2
	H05VV-F-3G
	SCHUKO
	7.79
	9.8
Danish VVS No.:	614363632
Swedish RSK No.:	5886546
Finnish LVI No.:	4965313
Norwegian NRF no.:	9045715
C	RS
	8413702100



97775315 SOLOLIFT2 WC-3 50



97775315 SOLOLIFT2 WC-3 50

