

Gas Tube Surge Arrestor Type N male female, bulkhead

Surge arrestors are designed to protect wireless base stations, switching centers and transmission line from the damaging effects of extreme high voltage surges caused by lightning strikes. Lightning strikes, even on grounded systems, can implant crushing voltages on RF transmission lines, creating voltage spikes on the center conductor of coaxial cable and putting the network out of commission. The new RFS lightning protection devices are designed and tested to the most demanding specifications. They are rated to protect against both direct and indirect multiple strikes in the harshest environments imaginable. Their rugged construction utilizes solid metal housings, beryllium-copper contacts and superior plating, which results in outstanding system protection and operating continuity.



N-UC230-01

FEATURES / BENEFITS

- Broadband operation DC to 2.5 GHz
- DC continuity on center conductor for reliable operation
- Replaceable 230 volts gas capsules for easy maintenance
- compliancy to IEC 61643-21

Technical Features

STRUCTURE

Product Line		Coaxial Cable Components
Product Type		Surge Arrestor
Surge Arrestor Type		Gas Tube
Coaxial Cable Type		Foam Dielectric, Ultraflexible Foam Dielectric , Radiating Cable

MECHANICAL SPECIFICATIONS

Configuration		Bulkhead
Connector A		N Male
Center Contact Connector A		Brass, gold plated
Outer Contact Connector A		Brass, three metal plating (Copper-Zin-Zinc Alloy)
Connector B		N Female
Center Contact Connector B		Spring Bronze, gold plated
Outer Contact Connector B		Brass, three metal plating (Copper-Zin-Zinc Alloy)
Body		Brass, three metal plating (Copper-Zin-Zinc Alloy)
Dielectric		PTFE
Gasket		Silicone rubber
Sealing class		IP65
Mounting / Grounding		Bulkhead; Thread for grounding M8

ELECTRICAL SPECIFICATIONS

Frequency Range	MHz	DC - 2500
VSWR, Return Loss	VSWR (dB)	0-1000 MHz: 1.10 (26.4) 1000-2500 MHz: 1.22 (20)
Insertion Loss (Max)	dB	0.20
Surge current handling capability		40 kA single / 20 kA multiple, Pulse 8/20 μ s
Residual pulse		350 μ J typically (test pulse 4 kV 1.2/50 μ s / 2 kA Pulse 8/20 μ s)

TEMPERATURE SPECIFICATIONS

Operation Temperature	$^{\circ}$ C ($^{\circ}$ F)	-45 to 85 (-49 to 185)
-----------------------	------------------------------	------------------------

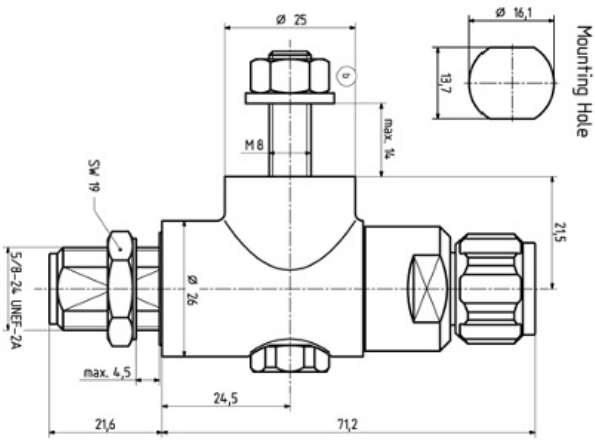
ACCESSORIES

Spare Part / Useful Accessories		UC230, Grounding Wire Kit: GW-16/20 : Spare capsule
---------------------------------	--	---

PACKAGING INFORMATION

Package Quantity		1
Weight	kg (lb)	0.3 (0.66)

Gas Tube Surge Arrestor Type N male female, bulkhead



All dimensions are in mm; tolerances according to ISO 2768 m-H

External Document Links

Notes