

N Female Connector for 1-5/8" Coaxial Cable, OMNI FIT™ Premium, Straight, O-Ring and compression sealing

OMNI FIT™ high performance connectors are designed for use with both CELLFLEX® (copper) and CELLFLEX® Lite (aluminium) cables. They are designed specifically to provide the highest quality connector-cable interface while simplifying and speeding up connector attachment. All RFS connectors are fully tested for mechanical and electrical compliance to industry specifications. The N connector meets all technical requirements and covers high frequencies as well as legacy applications. Sealing against outer conductor and jacket by means of O-Ring and 360° compression fit. Multifunctional, self-lubricating HighTech polymer assembly locks on cable corrugation, avoids electrochemical potential differences and compression-fits to the jacket.



OMNI FIT™ Premium Connectors

FEATURES / BENEFITS

- ⊕ Ultra high PIM performance i.e. reduced interference leading to high customer satisfaction
- ⊕ Two-piece design i.e. visual inspection of interlocking leads to improved installation security
- ⊕ OMNI FIT™ concept i.e. streamlined order management and reduced stock level
- ⊕ Watertight sealing in mated and unmated condition, i.e. reduced efforts during installation and improved security during operation
- ⊕ Unique NiTin plating i.e. extreme resistance against corrosion even under hardest climatic and environmental circumstances
- ⊕ Multi-thread (Tristart) design i.e. simplified and accelerated tightening process
- ⊕ RoHS (EU) and CRoHS (China) compliant i.e. can be used on a global basis

Technical Features

GENERAL SPECIFICATIONS

Transmission Line Type		Coaxial Cable
Cable Size		1-5/8"
Cable Type		Foam Dielectric
Model Series		LCF158-50A-Series LCF158-50L-Series
Connector Interface		N
Connector Type		OMNI FIT™ PREMIUM Straight
Sealing Method		O-Ring + 360° Compression
Gender		Female

ELECTRICAL SPECIFICATIONS

Nominal Impedance	Ohm	50
3rd Order IM Product @ 2x20 Watts	dBc	-156 ; typical -162
Maximum Frequency	GHz	2.75
VSWR, Return Loss	VSWR (dB)	0 < f ≤ 1.0 GHz: 1.02 (40.0) 1.0 < f ≤ 2.2 GHz: 1.03 (36.6) 2.2 < f ≤ 2.75 GHz: 1.06 (30.7)

MECHANICAL SPECIFICATIONS

Plating Outer/Inner		NiTin/Silver
Length	mm (in)	84.5 (3.33)
Outer Diameter	mm (in)	60 (2.36)
Weight	kg (lb)	0.44 (0.97)
Inner Contact Attachment		Spring Finger
Outer Contact Attachment		360° clamping

ACCESSORIES

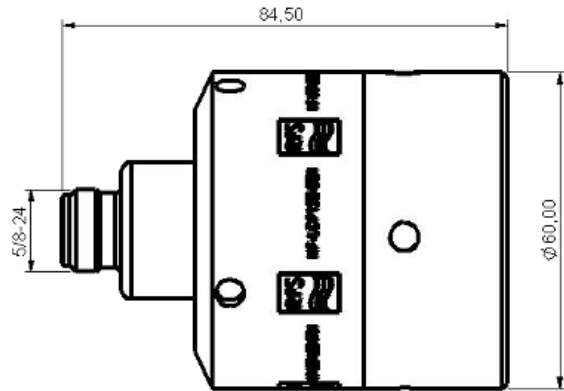
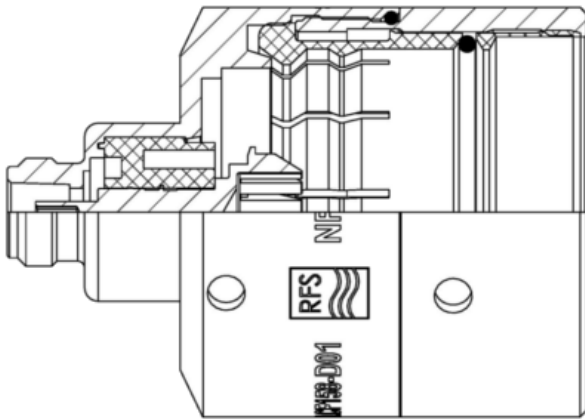
Poly Hook Spanner	mm (in)	PHS 60-90-5 Ø 60-90 (2.3-3.5) Pin 5 (0.2)
Trimming Tool		TRIM-SET-L114-D01 TRIM-LCF158-D01-A

TESTING AND ENVIRONMENTAL

Waterproof Level		IP68
------------------	--	------



N Female Connector for 1-5/8" Coaxial Cable, OMNI FIT™ Premium, Straight, O-Ring and compression sealing



External Document Links

Installation Instruction

Notes