

MODEL : DU-141H-7

List No : 0450-05

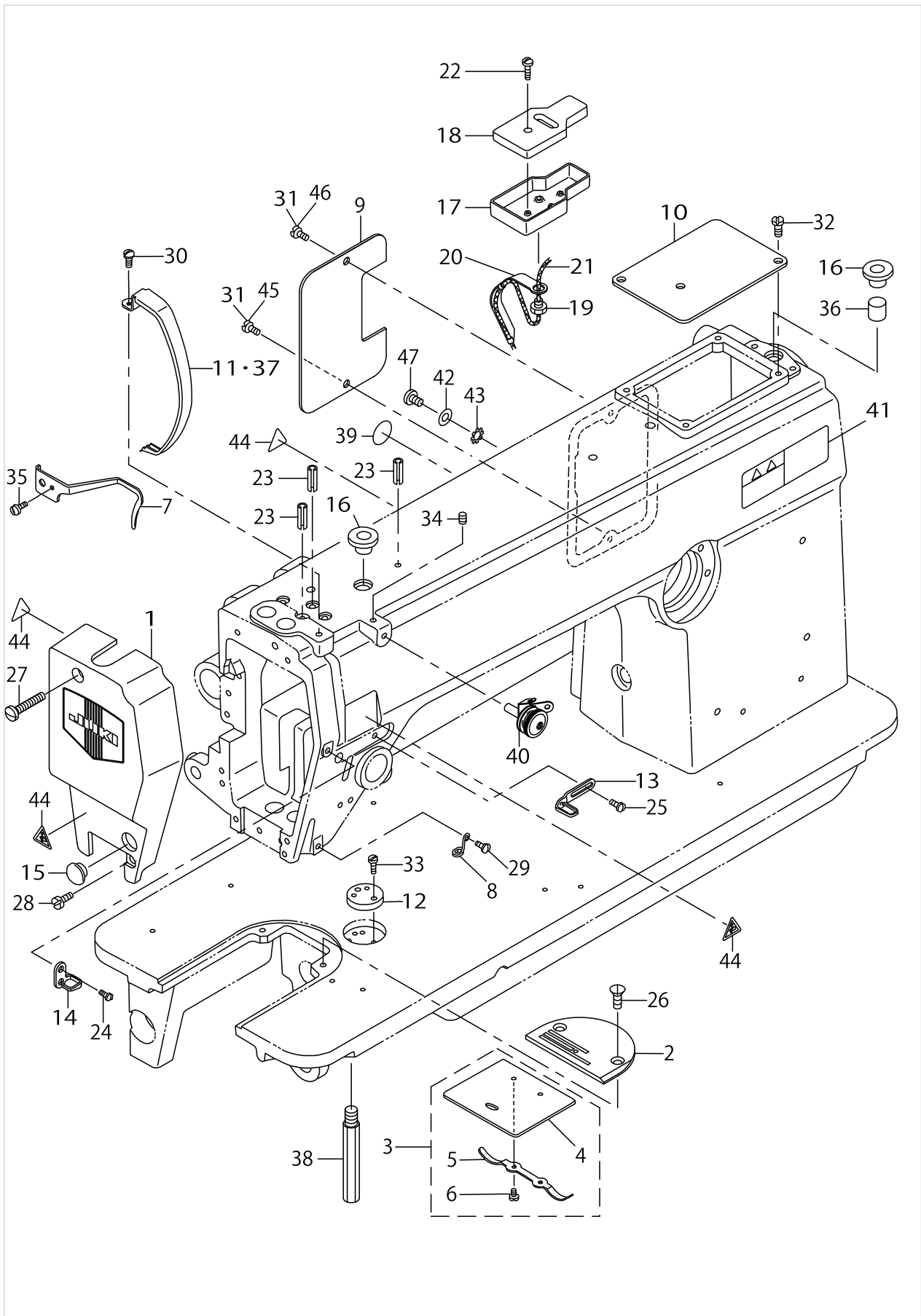
PARTS LIST

Published:05/12/2017

CONTENTS

FRAME & MISCELLANEOUS COVER COMPONENTS	1
MAIN SHAFT & ARM SHAFT COMPONENTS	5
NEEDLE BAR & THREAD TAKE-UP LEVER COMPONENTS	7
PRESSER BAR COMPONENTS	9
TENSION RELEASE COMPONENTS	11
FEED MECHANISM COMPONENTS.....	13
HOOK & THREAD TRIMMER COMPONENTS	17
REVERSE FEED MECHANISM COMPONENTS.....	21
HOOK DRIVING SHAFT & OIL BASIN COMPONENTS	23
THREAD TENSION COMPONENTS	25
UPPER FEED MECHANISM COMPONENTS	27
KNEE LIFTER & OIL PAN COMPONENTS.....	31
THREAD STAND, BELT COVER & BOBBIN WINDER COMPONENTS.....	33
TABLE COMPONENTS	35
ACCESSORIES PARTS COMPONENTS	37
GAUGE COMPONENTS.....	39
LIST FOR INFORMATION OF CHANGE.....	41
HOW TO MAKE USE OF THIS PARTS LIST	42

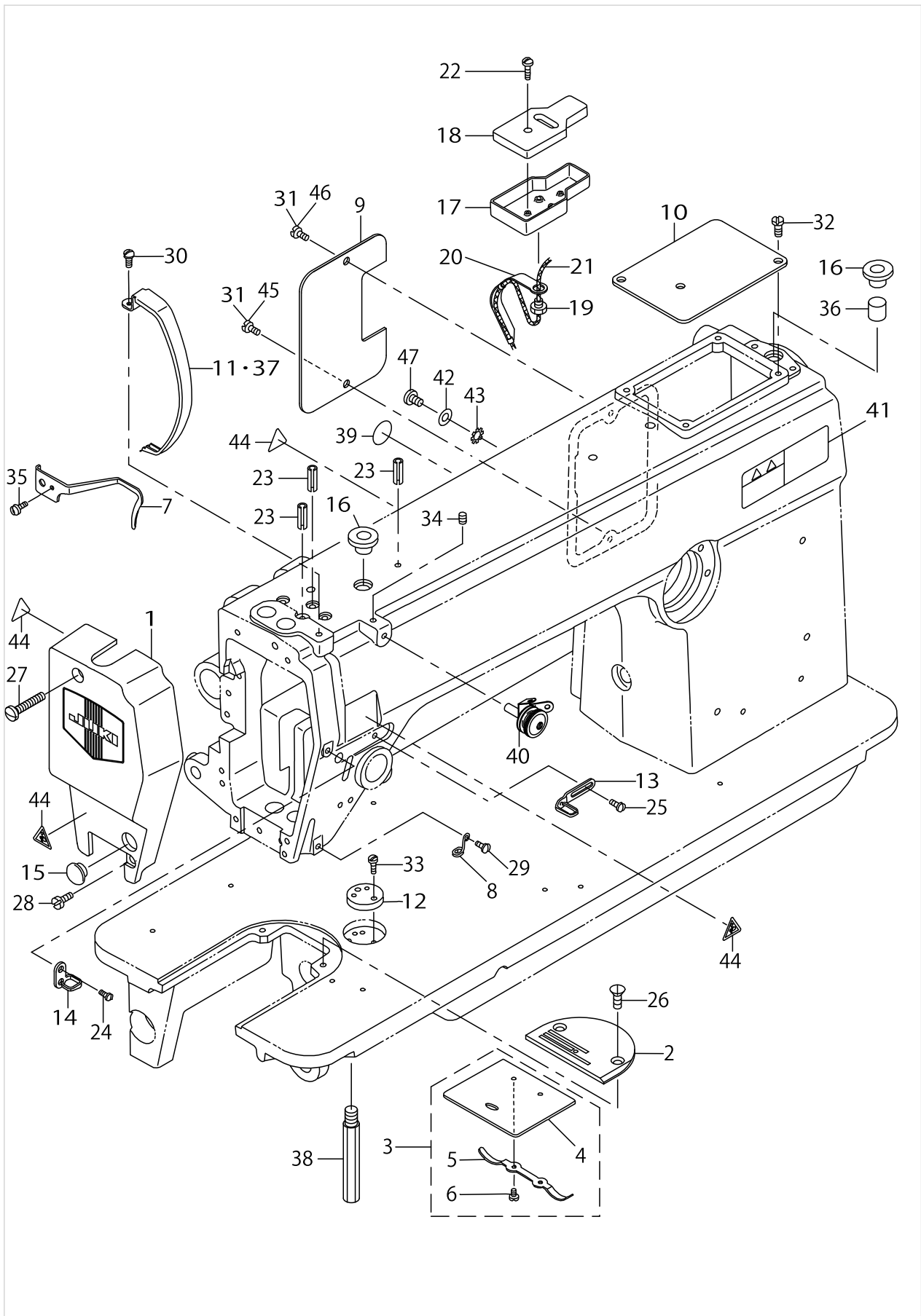
FRAME & MISCELLANEOUS COVER COMPONENTS



FRAME & MISCELLANEOUS COVER COMPONENTS

No.	Supply Code	Parts No.	Replacement	Parts name	Remarks	Choice	Step	Level	Cons	Qty	Rep. QTY
1		B1121141HAAD		FACE PLATE ASM.						1	
2		D1105141E00		THROAT PLATE						1	
3		B11100120A0		BED SLIDE ASM.						1	
4		B1110012000		SLIDE PLATE				*		1	
5		B1111012000		BED SLIDE SPRING				*		1	
6		SS6060210SP		SCREW 3/32-56 L=1.9				*		2	
7		21286802		THREAD GUIDE						1	
8		B1129141H00		THREAD GUIDE						1	
9		B1118141H0AA		SIDE PLATE						1	
10		40032259		SIDE COVER						1	
11		B1123141H0A		THREAD TAKE-UP LEVER COVER	FOR EXPORT					1	
12		B1103141H00		SCALE BASE PLATE						1	
13		D1126560E00A		ARMTHREADGUIDEA						1	
14		B1131141H00		FRAME THREAD GUIDE B						1	
15		TA1250406R0		RUBBER PLUG D=12.5 L=4						1	
16		B1156115000		RUBBER PLUG						2	
17		B3503201000		OIL RESERVOIR						1	
18		B3504201000		OIL FELT						1	
19		B3515201000		CLAMP SLEEVE NUT						1	
20	D	B3527012000		HOLDER						1	
21		CQ202000000		OIL WICK						.3	
22		SS7112420SP		SCREW11/64-40L=24						1	
23		PS0350102KR		SPRING PIN 3.5X10						3	
24		SS2090710TP		SCREW 9/64-40 L=7.2						1	
25		SS5090610SP		SCREW 9/64-40 L=6						1	
26		SS2110915SP		SCREW 11/64-40 L=8.5						2	
27		SS7112420SP		SCREW11/64-40L=24						1	
28		SS6111610SP		SCREW11/64-40L=16						1	
29		SS7090620TP		SCREW 9/64-40 L=6.1						1	
30		SS7110510SP		SCREW 11/64-40 L=5						1	
31		SS7110710SP		SCREW 11/64-40 L=7	FOR DU-141H-4					2	
32		SS7110710SP		SCREW 11/64-40 L=7						2	
33		SS7110720SP		SCREW 11/64-40 L=7						2	
34		SS8110410TP		SCREW 11/64-40 L=3.5						1	
35		SS6110610TP		SCREW 11/64-40 L=6						1	
36		B3517009000		OIL FELT REAR						1	
37		11415205		THREAD TAKE-UP LEVER COVER(JE)	FOR USE IN JAPAN,JE					1	
38		B1105122000		BED SCREW STUD B						1	
39		22901805		GROUND MARK						1	
40		D3161560EA0		TENSION POST ASM.						1	
41		CM301300001		SAFETY LABEL						1	
42		WP0501016SD		WASHER 5X10.5X1						1	
43		WT0530002KS		TOOTHED WASHER D=5.3						1	
44		CM300200001		ATTENTION SEAL	FOR USE IN JAPAN,JE					4	
45	R	SS7111410SP	SS7111410TP	SCREW11/64-40L=14	FOR DU-141H-7					1	1.00

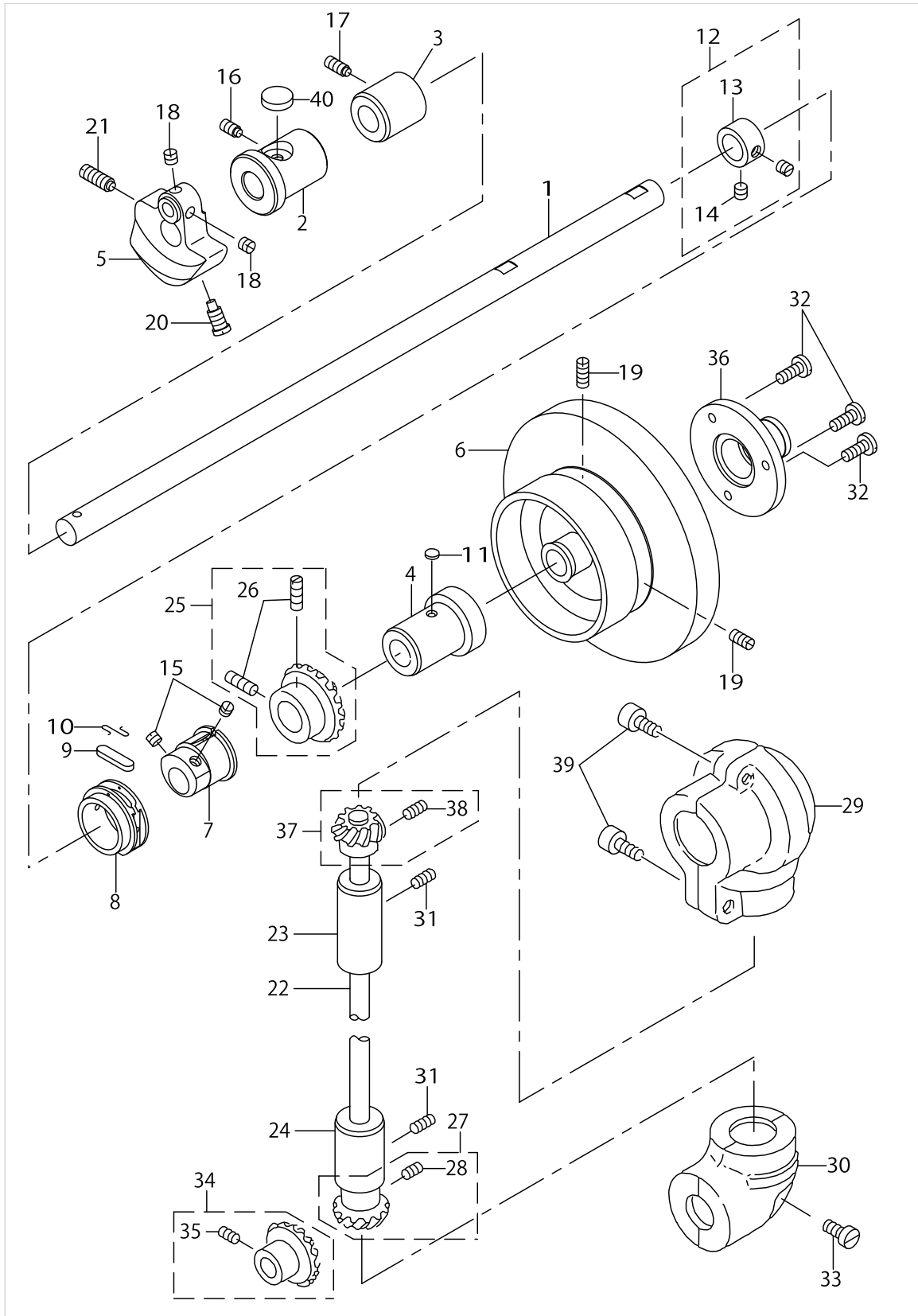
FRAME & MISCELLANEOUS COVER COMPONENTS



FRAME & MISCELLANEOUS COVER COMPONENTS

No.	Supply Code	Parts No.	Replacement	Parts name	Remarks	Choice	Step	Level	Cons	Qty	Rep. QTY
46		SS7110710SP		SCREW 11/64-40 L=7	FOR DU-141H-7					1	
47		SS7110710SP		SCREW 11/64-40 L=7						1	

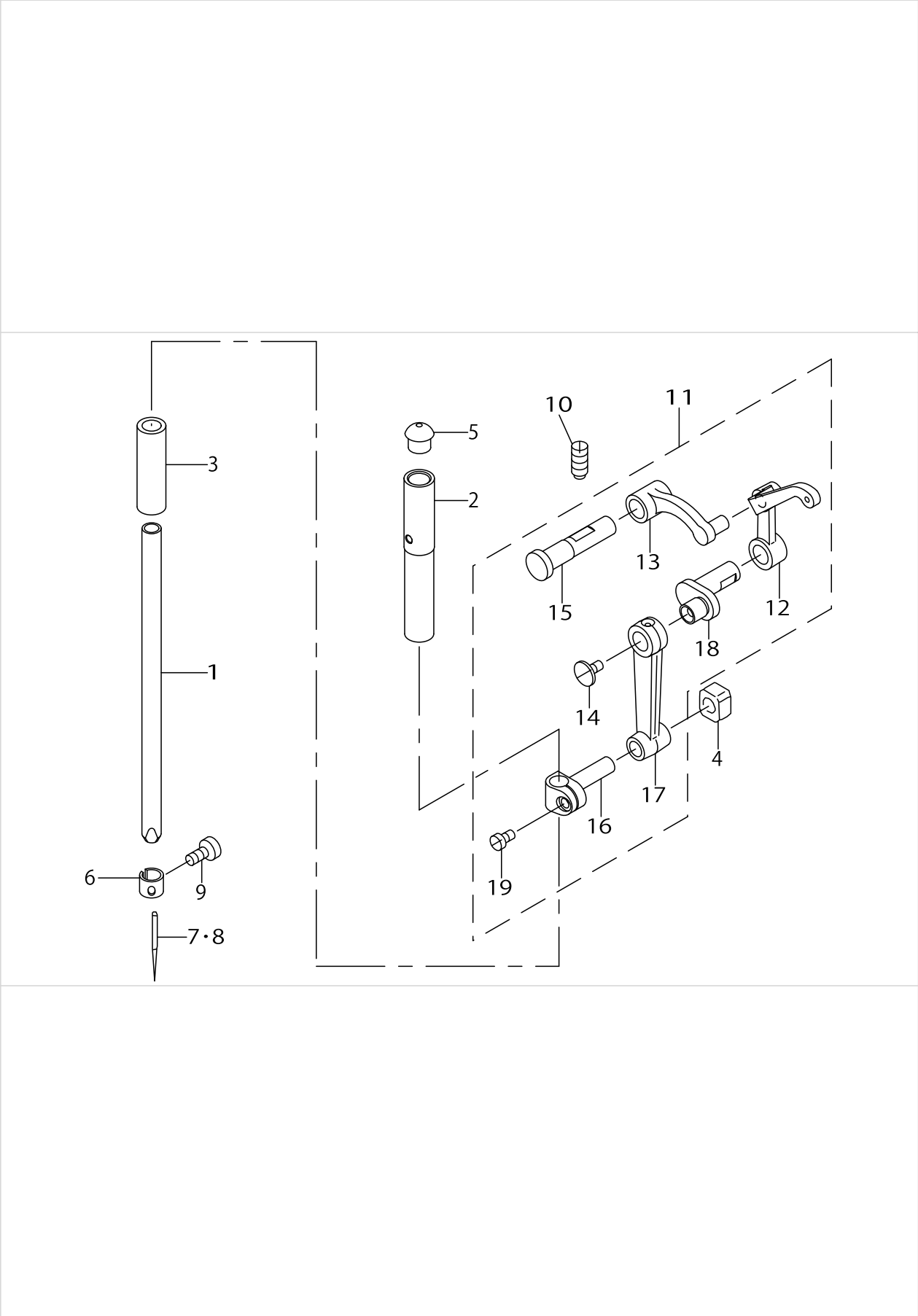
MAIN SHAFT & ARM SHAFT COMPONENTS



MAIN SHAFT & ARM SHAFT COMPONENTS

No.	Supply Code	Parts No.	Replacement	Parts name	Remarks	Choice	Step	Level	Cons	Qty	Rep. QTY
1		D1201141E00A		MAIN SHAFT						1	
2		B1202141H0A		ARM SHAFT BUSHING FRONT						1	
3		B1203141H00		MAIN SHAFT BUSHING INTERMEDIA						1	
4		B1204141H00		ARM SHAFT BUSHING REAR						1	
5		D1206141E00		COUNTERWEIGT						1	
6		D1227141E0C		HAND WHEEL						1	
7		B1211141H00		FEED ECCENTRIC CAM						1	
8		B1211226000		ECCENTRIC RETAINER HOUSING						1	
9		B1212012000		OIL FELT						1	
10		B1213012000		FELT RETAINER						1	
11		B3511280000		OIL FELT						1	
12		22904155		MAIN SHAFT THRUST COLLAR ASM.						1	
13	R	22904106	22904155	MAIN SHAFT THRUST COLLAR				*		1	1.00
14		SS8660610TP		SCREW 1/4-40 L=6				*		2	
15		SS8150710TP		SCREW 15/64-28 L=7						2	
16	R	SS8151150SP	SS8151150TP	SCREW 15/64-28 L=10.5						1	1.00
17		SS8151550SP		SCREW 15/64-28 L=15						1	
18		SS8660610TP		SCREW 1/4-40 L=6						2	
19		SS8151550SP		SCREW 15/64-28 L=15						2	
20		SS7681750TP		SCREW 9/32-28 L=16.5						1	
21		SS8681950SP		SCREW 9/32-28 L=19						1	
22		B1301201000		UPRIGHT SHAFT						1	
23	D	B1302271000		UPRIGHT SHAFT BUSHING UPPER						1	
24		B1303271000		BUSHING LOWER						1	
25		B13050120A0		GEAR ASM.						1	
26		SS8660810TP		SCREW 1/4-40 L=8				*		2	
27		B13071550A0		GEAR ASM. LARGE						1	
28		SS8660810TP		SCREW 1/4-40 L=8				*		2	
29		B13052710B0		GEAR CASE ASM.						1	
30		B13072710A0		PINION CASE ASM.						1	
31		SS8151550SP		SCREW 15/64-28 L=15						2	
32	R	SS7111120SP	SS7111120TP	SCREW 11/64-40 L=10.5						3	1.00
33	D	SM6051410SC		SCREW M5X0.8 L=14						1	
34		B13081550A0		PINION ASM.						1	
35		SS8660810TP		SCREW 1/4-40 L=8				*		2	
36		D1230552B00		FLANGE						1	
37		B13061550A0		PINION ASM.						1	
38		SS8660810TP		SCREW 1/4-40 L=8				*		2	
39		SM6031202TP		SCREW M3X0.5 L=12						2	
40		B1203051000		OIL FELT						1	

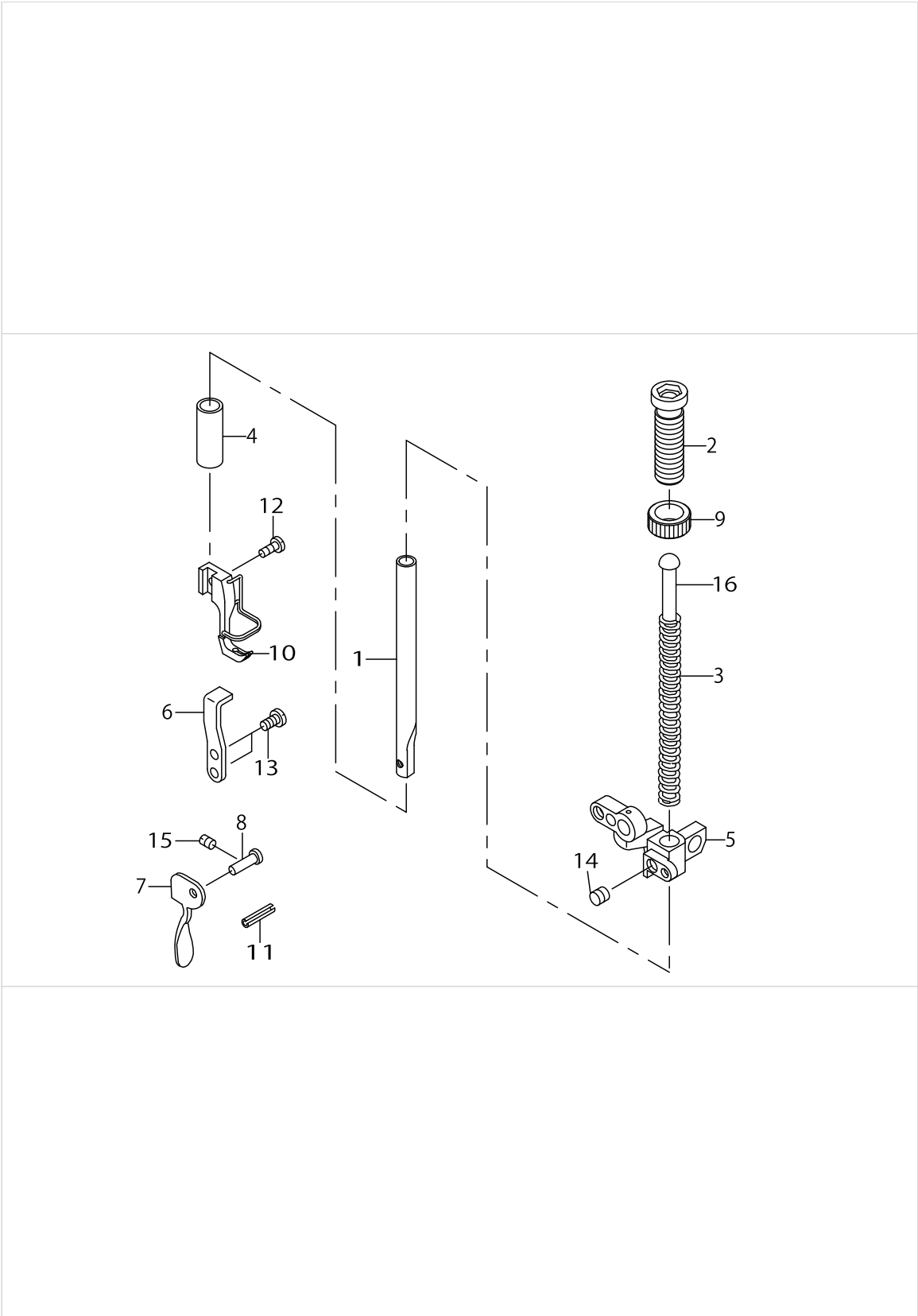
NEEDLE BAR & THREAD TAKE-UP LEVER COMPONENTS



NEEDLE BAR & THREAD TAKE-UP LEVER COMPONENTS

No.	Supply Code	Parts No.	Replacement	Parts name	Remarks	Choice	Step	Level	Cons	Qty	Rep. QTY
1		D1401141E00		NEEDLE BAR						1	
2		22906101		NEEDLE BAR BUSHING UPPER						1	
3		D1403141E00		NEEDLE BAR BUSHING LOWER						1	
4		B1414555000		SLIDE BLOCK						1	
5		22901409		NEEDLE BAR UPPER BUSH CAP						1	
6		D1418141E00		NEEDLE BAR THREAD GUIDE						1	
7		MDB100B2100		NEEDLE DBX1 #21	EXCEPT JE					1	
8		MC142501300		NEEDLE 1738 130	FOR JE					1	
9		SS7080510TP		SCREW 1/8-44 L=4.5						1	
10		SS8151550SP		SCREW15/64-28L=15						1	
11		B1901141HA0		THREAD TAKE-UP LEVER ASM.						1	
12	R	B1901141H00	B1901141HA0	THREAD TAKE-UP LEVER				*		1	1.00
13	R	B1902115000	B19011150A0	THREAD TAKE-UP CRANK				*		1	1.00
14	R	B1903141H00	B1903552000	END SCREW LEFT				*		1	1.00
15	D	B1904115000		THREAD TAKE-UP CRANK SHAFT STUD				*		1	
16	R	B1411552000	B14115520A0	NEEDLE BAR CLAMP				*		1	1.00
17		B1408141H00		NEEDLE BAR CRANK ROD				*		1	
18	R	B1210141H00	B1901141HA0	NEEDLE BAR CRANK				*		1	1.00
19		SS6090670TP		SCREW 9/64-40 L=6				*		1	

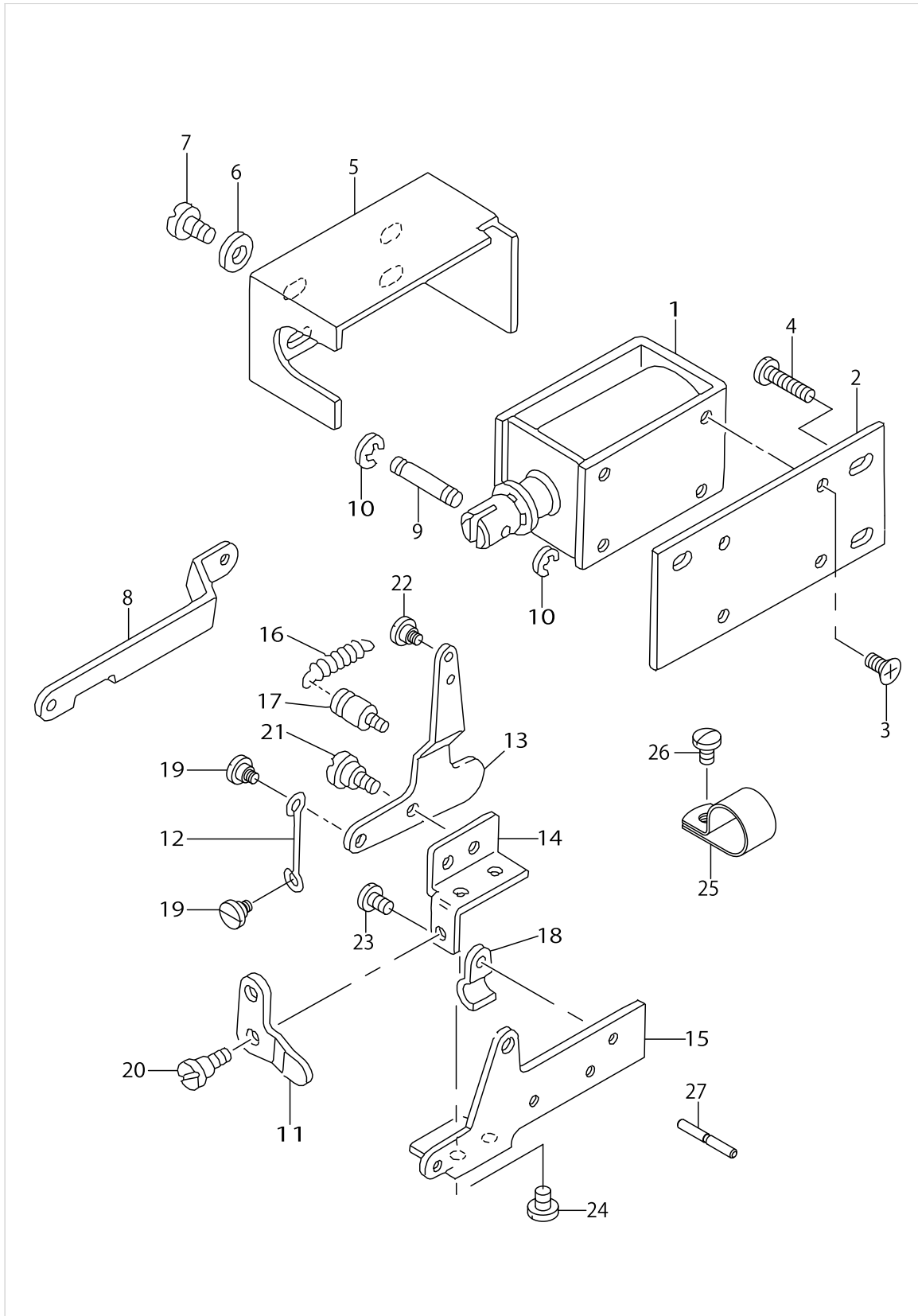
PRESSER BAR COMPONENTS



PRESSER BAR COMPONENTS

No.	Supply Code	Parts No.	Replacement	Parts name	Remarks	Choice	Step	Level	Cons	Qty	Rep. QTY
1	R	22907000	40017805	PRESSER BAR						1	1.00
2	R	22907505	22907554	PRESSER SPRING REGULATOR						1	1.00
3		B1505227T00A		PRESSER SPRING T						1	
4		B1510155000		PRESSER BAR LOWER BUSHING						1	
5		21103304		PRESSER BAR GUIDE BRACKET						1	
6		B1515141H00		LIFTING LEVER						1	
7		D1512141E00		HAND LIFTER						1	
8		B1513141H00		HAND LIFTER SHAFT						1	
9	R	22907604	22907554	PRESSER SPRING REGULATOR NUT						1	1.00
10		D1525141EA0		PRESSER FOOT ASM.						1	
11		PS0300132KH		SPRING PIN 3X13						1	
12	R	SS7091110SP	SS7091110TP	SCREW 9/64-40 L=10.5						1	1.00
13		SS7110840SP		SCREW 11/64-40 L=7.8						2	
14		SS8660610TP		SCREW 1/4-40 L=6						1	
15		SS8110750SP		SCREW 11/64-40 L=6.5						1	
16		22907703		PRESSER GUIDE BAR						1	

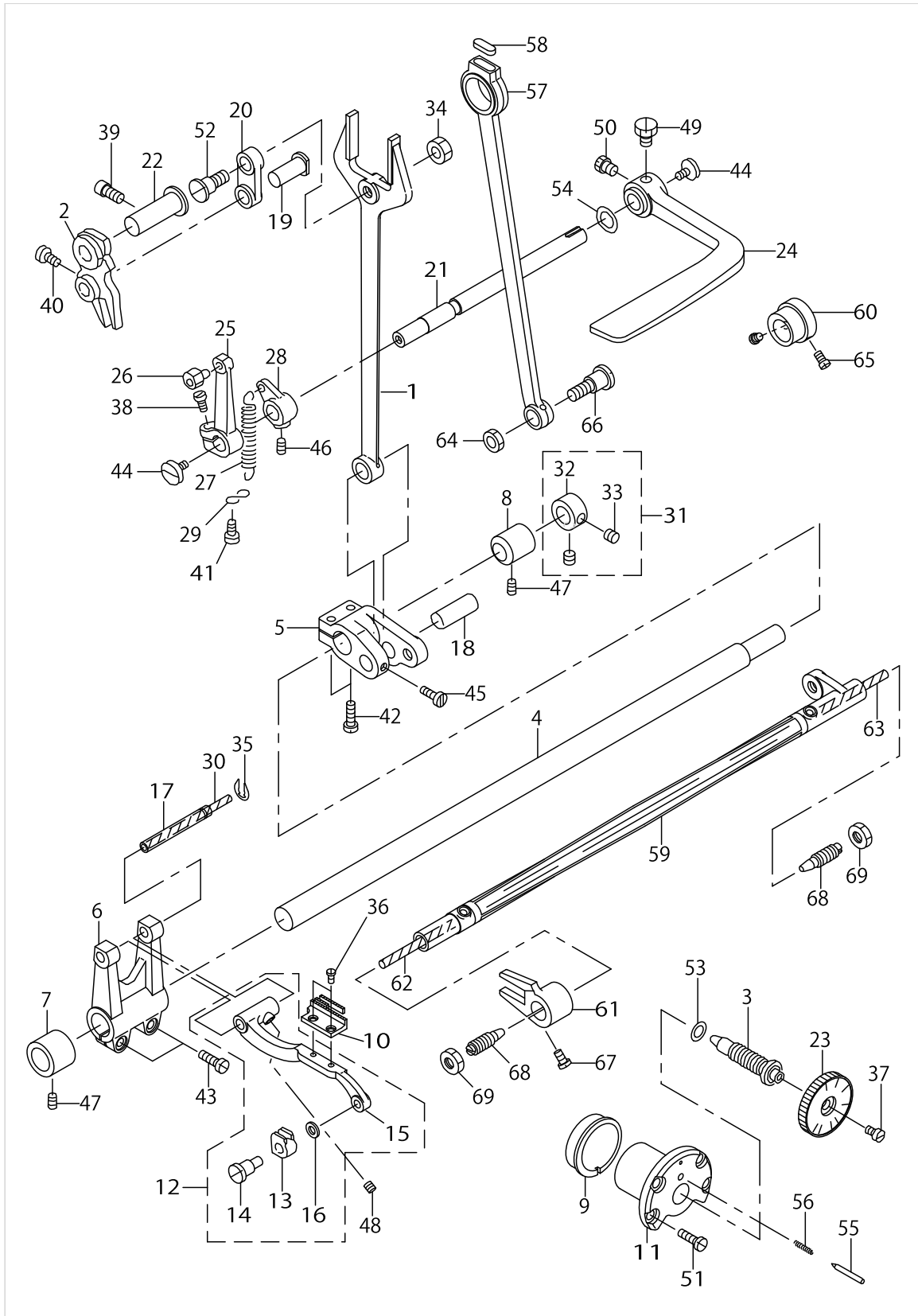
TENSION RELEASE COMPONENTS



TENSION RELEASE COMPONENTS

No.	Supply Code	Parts No.	Replacement	Parts name	Remarks	Choice	Step	Level	Cons	Qty	Rep. QTY
1		D3153141E00		TENSION RELEASE SOLENOID						1	
2		D3154141E00		SOLENOID INSTALLING PLATE						1	
3		SM1030601SA		SCREW M3 L=6						4	
4	R	SS7110910SP	SS7110910TP	SCREW 11/64-40 L=8.5						3	1.00
5		D3157141E0A		SOLENOID INSTALLING PLATE						1	
6		WP0320501SC		WASHER M3						4	
7		SM4030601SC		SCREW M3 X 6						4	
8	D	D3155141E00		SOLENOID ROD						1	
9		D3156141E00		SOLENOID PIN						1	
10		RE0250000K0		E-RING 2.5						2	
11	D	D3158141E00		TENSION RELEASE LINK A						1	
12		D3159141E00		CONNECTING BAR						1	
13	D	D3152141E00		TENSION RELEASE LINK B						1	
14		D3151141E00		TENSION RELEASE BRACKET						1	
15	D	D3160141E00		TENSION RELEASE PLATE						1	
16		D3149141E00		SPRING						1	
17		10120004		SPRINGSUSPENSION						1	
18		B3538112000		OIL RETURN TUBE HOLDER						1	
19		SD0550271TP		HINGE SCREW D=5.50 H=2.7						2	
20		SD0640321SP		HINGE SCREW D=6.35 H=3.2						1	
21		SD0630301SP		HINGE SCREW D=6.35 H=3						1	
22		SD0550271TP		HINGE SCREW D=5.50 H=2.7						1	
23		SS7110710SP		SCREW 11/64-40 L=7						3	
24		SS7120640SP		SCREW 3/16-28 L=6						2	
25		EA9502B0500		CABLE CLIP						1	
26		SS7110710SP		SCREW 11/64-40 L=7						1	
27		26028001		STOP MOTION LEVER SPRING PIN						2	

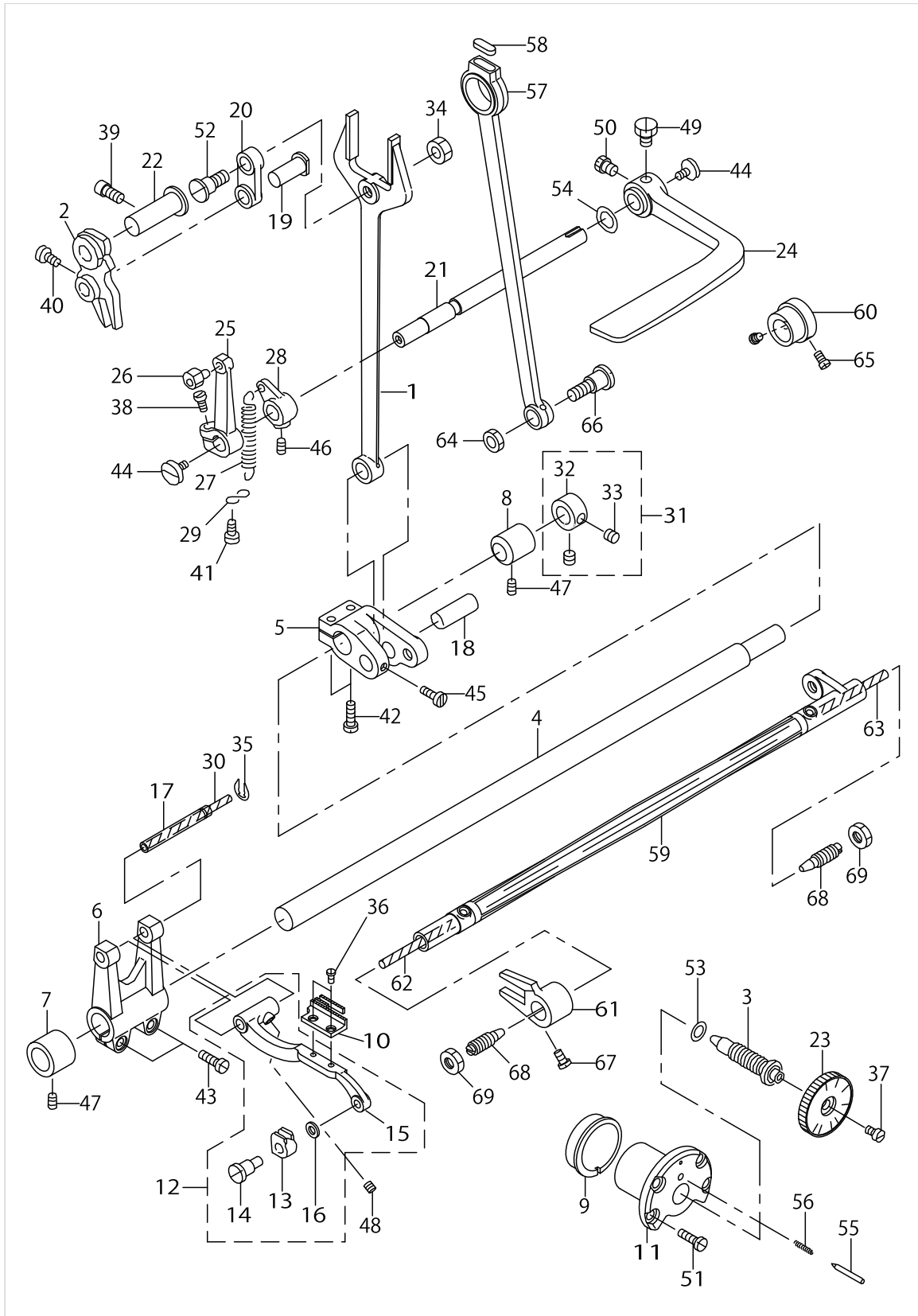
FEED MECHANISM COMPONENTS



FEED MECHANISM COMPONENTS

No.	Supply Code	Parts No.	Replacement	Parts name	Remarks	Choice	Step	Level	Cons	Qty	Rep. QTY
1		B1614141H00		PITMAN						1	
2		D1620141E00		FEED REGULATOR						1	
3		B1634141H00A		STITCH LENGTH REGULATING SCREW						1	
4		B1601141H00		FEED ROCK SHAFT						1	
5	D	B1605141H00		FEED ROCKER SHAFT CRANK						1	
6		B1603141H00		FEED ROCKER						1	
7		B1604141H00		BUSHING FRONT						1	
8		B1602141H00		BUSHING REAR						1	
9		B1637141H00		ECCENTRIC BUSHING						1	
10		B1613141H00		FEED DOG						1	
11		B1636141H0A		FEED REGULATOR SCREW METAL						1	
12		B1606141HA0		FEED BAR ASM.						1	
13		B1705155000		FEED DRIVING SLIDE BLOCK					*	1	
14		B1706155000		FEED DRIVING SLIDE BLOCK HINGE					*	1	
15		B1606141H00		FEED BAR					*	1	
16		31255300		WASHER					*	1	
17		B1604012000A		FEED BAR SHAFT						1	
18		B1611155000A		HINGE STUD FOR PITMAN						1	
19		B1618226000		HINGE PIN						1	
20		B1619141H00		FEED REGULATOR CONNECTING LINK						1	
21		B1621141H00A		CONTROL LEVER SHAFT	FOR DU-1-41H-4-1,-7-00					1	
22		B1622141H00		HINGE PIN						1	
23	R	D1623141E0A	D1623141EA0	SCALE PLATE						1	1.00
24		B1624141H0A		FEED LEVER	FOR DU-1-41H-4-1,-7-00					1	
25	R	B1627226000	B16272260A0	REVERSE FEED CONTROL LEVER CRANK						1	1.00
26		B16331220A0		CRANK SLIDE BLOCK STUD ASM.						1	
27		B1646201000		TENSION SPRING						1	
28		B1647226000		SUSPENSION BRACKET (A)						1	
29		B1648122000		SUSPENSION HOOK (B)						1	
30		CQ202000000		OIL WICK						.2	
31		CS111101CSH		THRUST COLLAR ASM.D=11.11 W=10						1	
32		CS1111019SH		THRUST COLLAR D=11.11 W=10					*	1	
33		SS8660610TP		SCREW 1/4-40 L=6					*	2	
34		NS6680410SP		NUT 9/32-28						1	
35		RE0500711KP		SNAP RING 5						1	
36		SS4080620TP		SCREW 1/8-44 L=6						2	
37		SS6121050SP		SCREW 3/16-28 L=9.5						1	
38		SS6121210SP		SCREW 3/16-28 L=12						1	
39		SS6151220SP		SCREW 15/64-28 L=11.5						1	
40		SS6661110SP		SCREW 1/4-40 L=11						1	
41		SS7090710SP		SCREW 9/64-40 L=6.8						1	
42		SS7121410TP		SCREW 3/16-28 L=14						2	
43		SS7121410TP		SCREW 3/16-28 L=14						2	
44		SS7620750SP		SCREW 3/16-32 L=6.5						2	

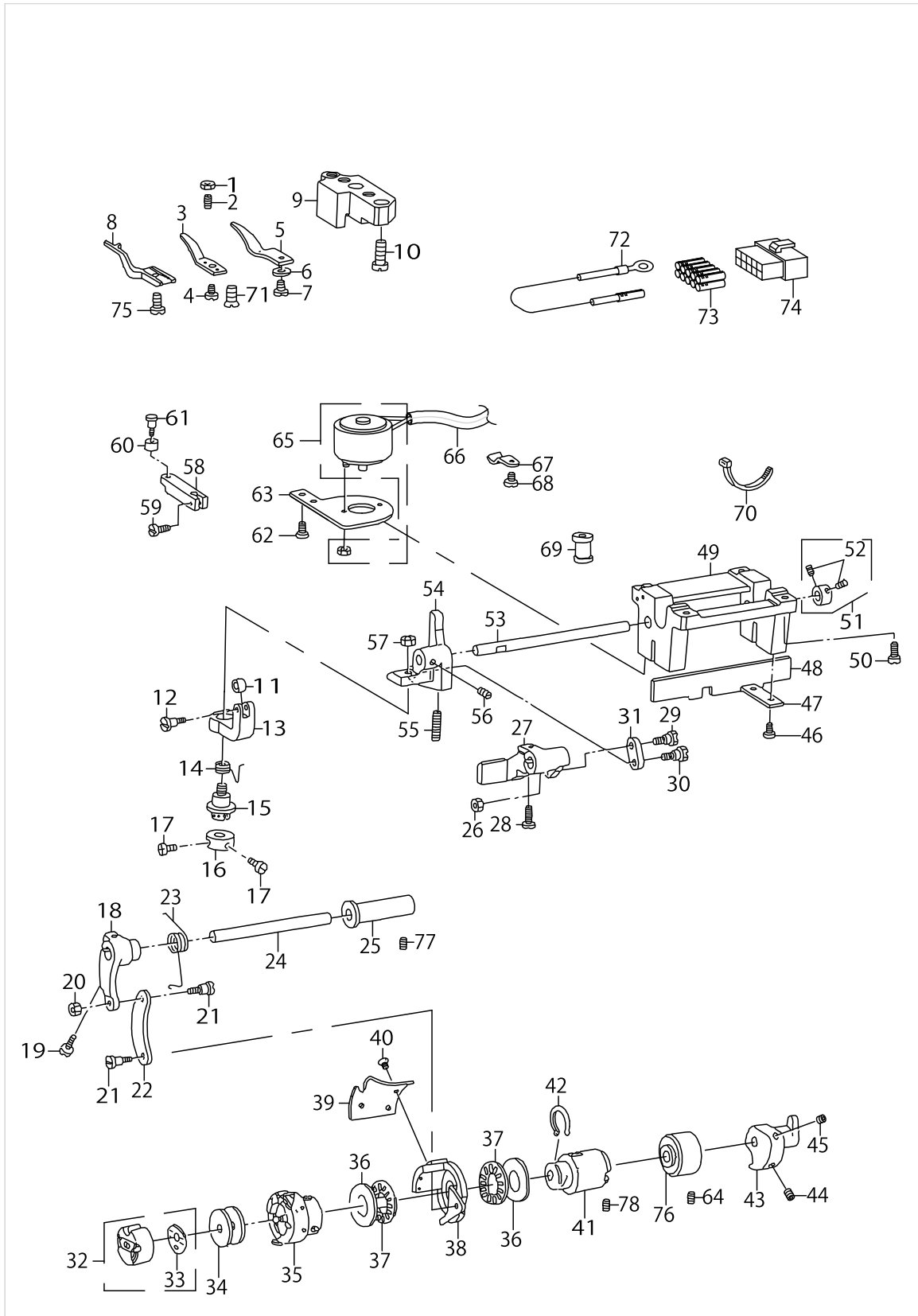
FEED MECHANISM COMPONENTS



FEED MECHANISM COMPONENTS

No.	Supply Code	Parts No.	Replacement	Parts name	Remarks	Choice	Step	Level	Cons	Qty	Rep. QTY
45	R	SS7120910SP	SS7120910TP	SCREW 3/16-28 L=9						1	1.00
46		SS8150710TP		SCREW 15/64-28 L=7						1	
47		SS8150710TP		SCREW 15/64-28 L=7						2	
48		SS8620610TP		SCREW 3/16-32 L=6						1	
49		SS9660910SP		SCREW 1/4-40 L=9.4	FOR DU-1-41H-4-1,-7-00					1	
50		SS9660720SP		SCREW 1/4-40 L=7	FOR DU-1-41H-4-1,-7-00					1	
51		B1638141H00		SCREW						4	
52		SD0950802SH		HINGE SCREW D=9.53 H=8						1	
53		RO074240100		RUBBER RING						1	
54		WZ1052010KP		WAVED WASHER	FOR DU-1-41H-4-1,-7-00					1	
55		B1147141H00		PIN						1	
56		B1148141H00		SPRING						1	
57		B1701115000		FEED DRIVING SHAFT CONNECTING						1	
58		11002904		ROLLER FELT						1	
59		B1705141H00		FEED DRIVING SHAFT						1	
60		B1208141H00		FEED CAM ASM.						1	
61		B1704141H00		FEED LIFTING FORK						1	
62		CQ202000000		OIL WICK						.1	
63		CQ202000000		OIL WICK						.1	
64		NS6680410SP		NUT 9/32-28						1	
65		SS6110710TP		SCREW 11/64-40 L=6.5						2	
66		SD1020961SP		HINGE SCREW D=10.2 H=9.6						1	
67	R	SS7111120SP	SS7111120TP	SCREW 11/64-40 L=10.5						1	1.00
68		B1113012000		CENTER SCREW						2	
69		NS6740510SP		NUT 3/8-28						2	

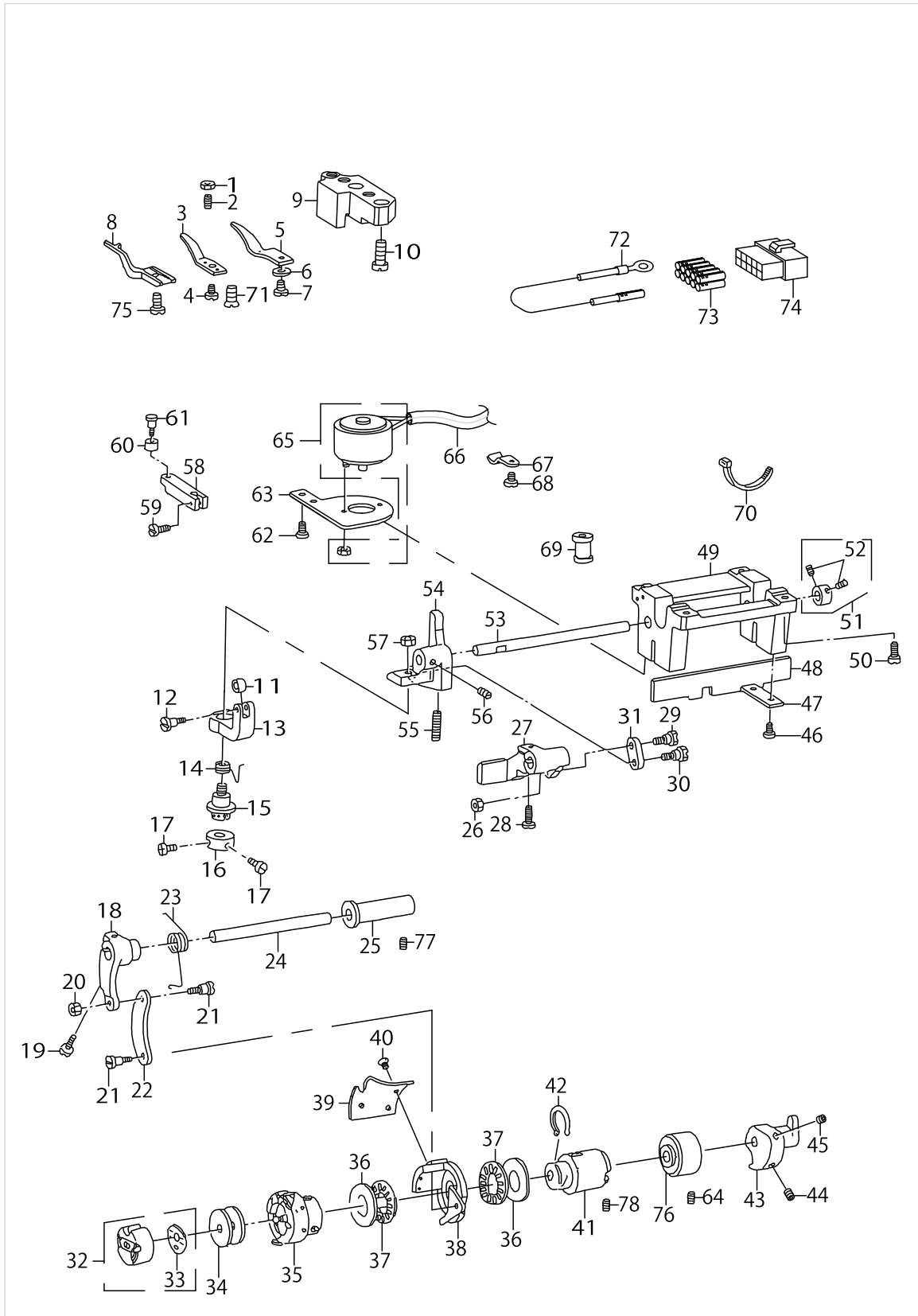
HOOK & THREAD TRIMMER COMPONENTS



HOOK & THREAD TRIMMER COMPONENTS

No.	Supply Code	Parts No.	Replacement	Parts name	Remarks	Choice	Step	Level	Cons	Qty	Rep. QTY
1		NS6080210SP		NUT 1/8-44						1	
2		D2443141E00		ADJUSTING SCREW						1	
3		D2424141E00		COUNTER KNIFE						1	
4		SS7080510TP		SCREW 1/8-44 L=4.5						1	
5		D2429241E00		UPPER THREAD CLAMP SPRING						1	
6		WP0450000SD		WASHER 4.5X8X0.5						2	
7		SS7110410SP		SCREW 11/64-40 L=4						1	
8		D1853141E00		BOBBIN CASE POSITIONING FINGER						1	
9		D1836141E00		INNER HOOK PRESSER BASE						1	
10	R	SS7111120SP	SS7111120TP	SCREW 11/64-40 L=10.5						2	1.00
11		D2432141E00		CAM ROLLER						1	
12		D2444141E00		HINGE SCREW						1	
13		D2431141E00		CAM FOLLOWER						1	
14		D2435141E00A		SPRING						1	
15		D2434141E00A		CAM FOLLOWER SHAFT						1	
16		D2439141E00		THRUST COLLAR						1	
17		SS6090670TP		SCREW 9/64-40 L=6						2	
18		D2418141E00		KNIFE DRIVING SHAFT ARM FRONT						1	
19		SS6121212TP		SCREW 3/16-28 L=12.0						1	
20		NS6090310SP		NUT 9/64-40						1	
21		SD0500301SP		HINGESCREWD=5H=3						2	
22		D2411141E00		CONNECTING LINK						1	
23		D2420141E00		SPRING						1	
24		D2421141E00		KNIFE DRIVING SHAFT						1	
25		D2422141E00		KNIFE DRIVING SHAFT BUSHING						1	
26		NS6110310SP		NUT 11/64-40						1	
27		D2417241E00		KNIFE DRIVING SHAFT ARM REAR						1	
28		SS6121212TP		SCREW 3/16-28 L=12.0						1	
29		D2441141E00		HINGE SCREW						1	
30		D2442141E00		HINGE SCREW B						1	
31		D2436141E00		CONNECTING LINK						1	
32		D1837141EA0		BOBBIN CASE ASM.						1	
33		D1838141E00		BOBBIN CASE SPRING				*		1	
34		D9117141E00		BOBBIN						1	
35		D1830141EA0		HOOK ASM. (KHS20-RMPN)						1	
36		D2455141E00		RING						2	
37		D2454141E00		BEARING						2	
38		D2415141E00A		ROTATING KNIFE BASE						1	
39		D2423141E00		MOVING KNIFE						1	
40		SS2090620SP		SCREW 9/64-40 L=5.5						2	
41		D1802141E00A		BUSHING FRONT						1	
42		RC1850001KP		SNAP RING 18.5						1	
43	D	D2430141E00		THREAD TRIMMER CAM						1	
44		SM8060812TP		SCREW M6 L=8						1	
45		SM8060612TP		SCREW M6 L=6						1	

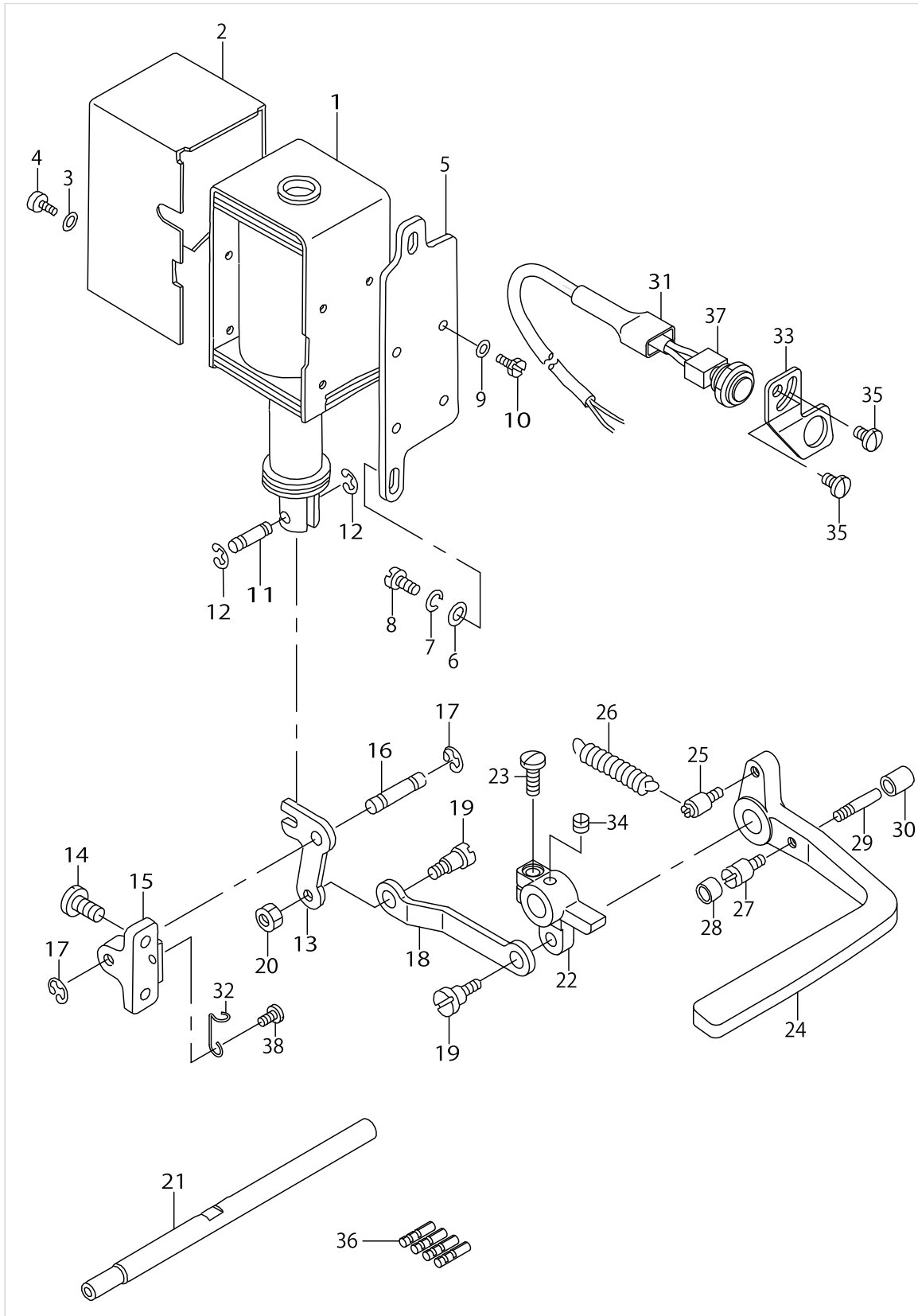
HOOK & THREAD TRIMMER COMPONENTS



HOOK & THREAD TRIMMER COMPONENTS

No.	Supply Code	Parts No.	Replacement	Parts name	Remarks	Choice	Step	Level	Cons	Qty	Rep. QTY
46		SS7110710SP		SCREW 11/64-40 L=7						2	
47		D2440141E00		PRESSER PLATE						1	
48		D2410141E00		THREAD TRIMMER DRIVING PLATE						1	
49		D2416141E00		THREAD TRIMMER BASE						1	
50		SS6151440SP		SCREW 15/64-28 L=14						4	
51		CS080081ASH		THRUST HOLDER ASM. D=8 W=8						1	
52		SS8110320SP		SCREW 11/64-40 L=3.2				*		2	
53		D2419141E00		CAM DRIVING SHAFT						1	
54		D2433141E00		CAM DRIVING BASE						1	
55		D2445141E00		SCREW A						1	
56		SS8110320SP		SCREW 11/64-40 L=3.2						1	
57		NS6660430SP		NUT 1/4-40						1	
58		D2427141E00		SOLENOID ARM						1	
59	R	SS7110910SP	SS7110910TP	SCREW 11/64-40 L=8.5						1	1.00
60		B3031141H00		CONNECTING STUD						1	
61		D2434245E00		SCREW						1	
62		SS7110710SP		SCREW 11/64-40 L=7						2	
63	D	D2426141E00		SOLENOID INSTALLING PLATE						1	
64		SS8110320SP		SCREW 11/64-40 L=3.2						1	
65		D2425141E00		SOLENOID						1	
66		D2428141E00		CORD TUBE 5X0.4						1.7	
67		B3538112000		OIL RETURN TUBE HOLDER						2	
68		SS7110710SP		SCREW 11/64-40 L=7						2	
69		D2414141E00		LORD BUSHING						1	
70		EA9500B0100		CABLE BAND						3	
71		SS1080620SP		SCREW 1/8-44 L=6						1	
72	R	11044054	22951552	GROUND WIRE ASM.	FOR DU-1-41H-7(SC-1)					1	1.00
73		HK03464000B		PIN CONTACT	FOR DU-141H-7					2	
74		HK034610140		HOUSING 14P	FOR DU-141H-7					1	
75		SS7111810TP		SCREW 11/64-40 L=18						1	
76	D	D1803141E00		BUSHING INTERMEDIATE						1	
77		SS8150710TP		SCREW 15/64-28 L=7						1	
78		SS8150710TP		SCREW 15/64-28 L=7						1	

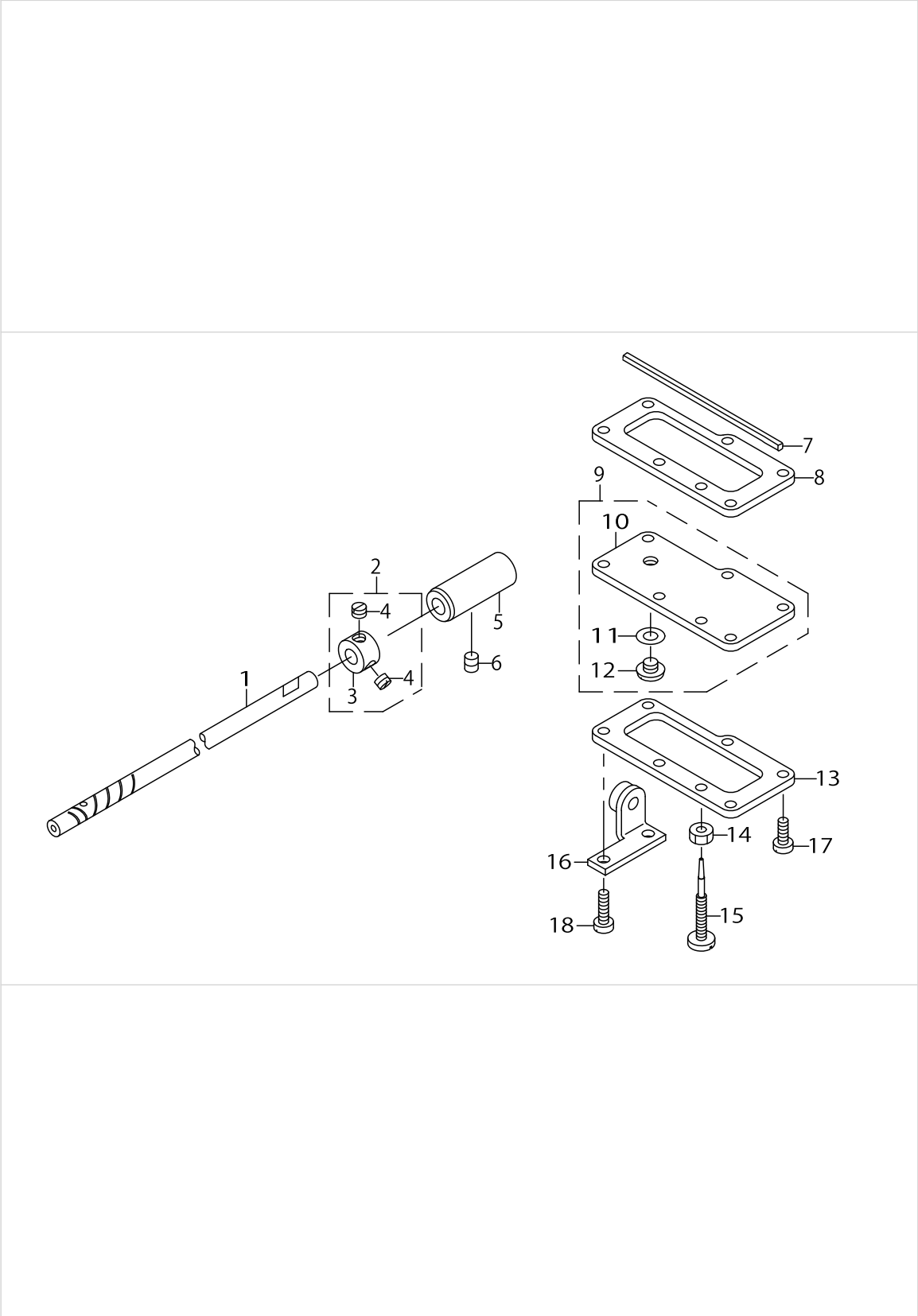
REVERSE FEED MECHANISM COMPONENTS



REVERSE FEED MECHANISM COMPONENTS

No.	Supply Code	Parts No.	Replacement	Parts name	Remarks	Choice	Step	Level	Cons	Qty	Rep. QTY
1		10119105		REVERSE FEED SOLENOID AC24V						1	
2		10161305		SOLENOID COVER						1	
3		WP0501016SD		WASHER 5X10.5X1						4	
4		SS7110710SP		SCREW 11/64-40 L=7						4	
5		10119204		SOLENOID INSTALLING PLATE						1	
6		WP0621016SD		WASHER 6.2X13X1						2	
7		WS0631510KP		SPRING WASHER						2	
8		SS7151210SP		SCREW15/64-28L=12						2	
9		WP0501016SD		WASHER 5X10.5X1						4	
10		SS9111010SP		SCREW 11/64-40 L=9.5						4	
11		D2464555B00		LINK DRIVING MAGNET PIN						1	
12		RE0400000K0		E-RING 4						2	
13		10119402		LINK						1	
14		SS7151210SP		SCREW15/64-28L=12						2	
15		D1684141E00A		LINK INSTALLING BASE						1	
16		D1687141E00		PIN						1	
17		RE0600000K0		E-RING 6						2	
18		D1686141E00		REVERSE FEED ROD						1	
19		SD0720331SP		HINGE SCREW D=7.24 H=3.3						2	
20		NS6150430SP		NUT 15/64-28						1	
21		D1621141E00		LEVER SHAFT						1	
22		D1683141E00		CONNECTING ARM						1	
23		SS7121410TP		SCREW 3/16-28 L=14						1	
24		D1624141E0A		REVERSE FEED CONTROL LEVER						1	
25		10120004		SPRINGSUSPENSION						2	
26		D1685141E00		LEVER SPRING						1	
27		B1114280000		PIN						1	
28		10119907		CUSHION						1	
29		B2733761000		PIN						1	
30		BP300000000		VINYL PIPE						.01	
31		MAT81126T00		2-POLE PLUG COVER						1	
32		D1682141E00		SUSPENSION HOOK B						1	
33		D1681141E0A		PLATE						1	
34		SS8150510TP		SCREW 15/64-28 L=4.7						1	
35		SS7110710SP		SCREW 11/64-40 L=7						2	
36		HK03464000B		PIN CONTACT						4	
37		D1680141EA0		TOUCH BUCK SWITCH ASM						1	
38		SS7090710SP		SCREW 9/64-40 L=6.8						1	

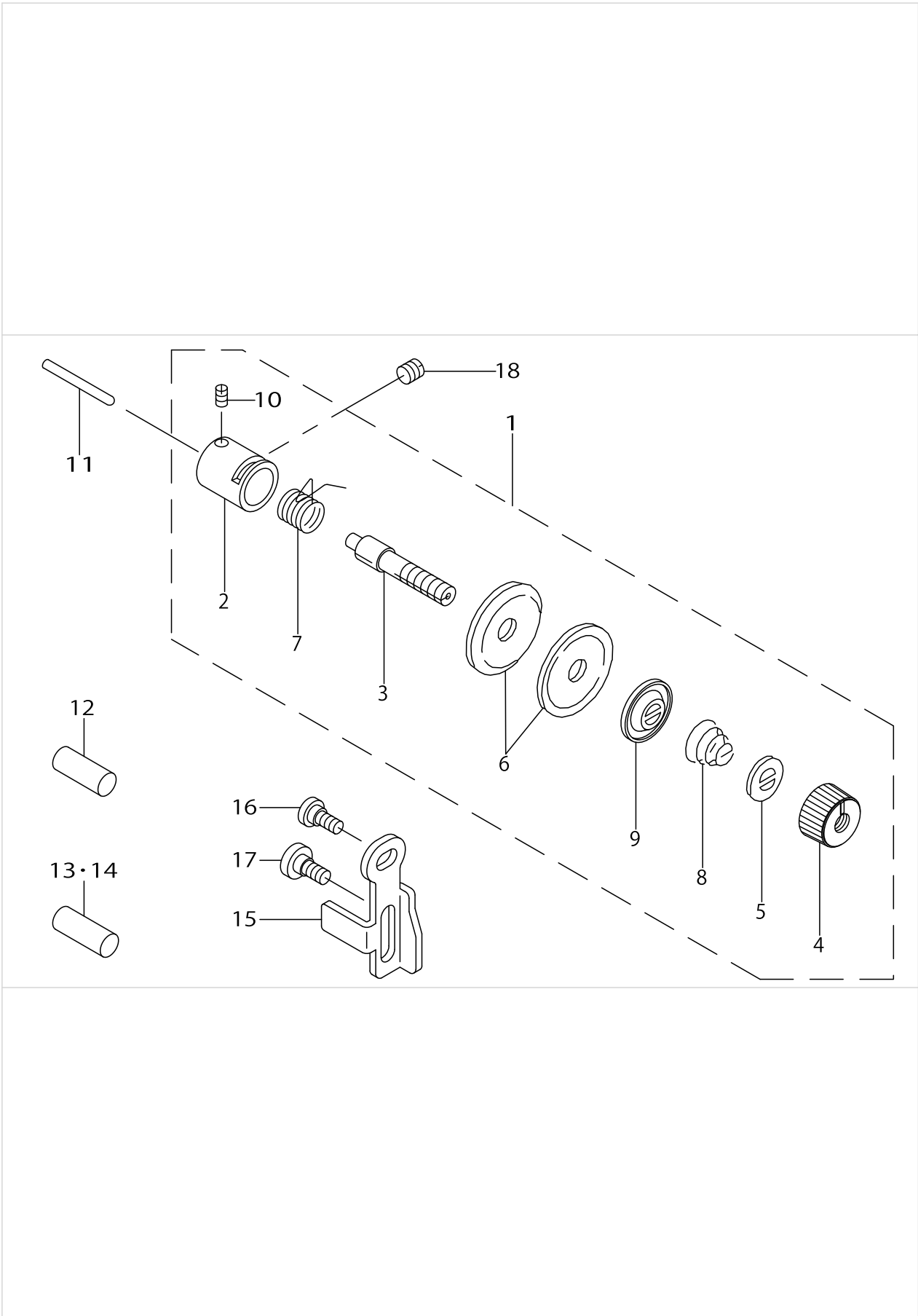
HOOK DRIVING SHAFT & OIL BASIN COMPONENTS



HOOK DRIVING SHAFT & OIL BASIN COMPONENTS

No.	Supply Code	Parts No.	Replacement	Parts name	Remarks	Choice	Step	Level	Cons	Qty	Rep. QTY
1		B1801141H00		HOOK DRIVING SHAFT						1	
2		D1841141EA0		THRUST COLLAR ASM.						1	
3		D1841141E00		THRUST COLLAR				*		1	
4		SS8660410SP		SCREW 1/4-40 L=4.2				*		2	
5		B1806271000		LOWER SHAFT BUSHING REAR						1	
6		SS8150710TP		SCREW 15/64-28 L=7						1	
7		B1155141H00		OIL PIEP						1	
8		D1152141E00		GASKET						1	
9		D1151141EA0		OIL RESERVOIR COVER ASM.						1	
10		D1151141E00		OIL RESERVOIR COVER				*		1	
11		B3508019000		WASHER				*		1	
12		SS5660440SP		SCREW 1/4-40 L=4.0				*		1	
13		D1154141E00		OIL RESERVOIR COVER PLATE						1	
14		NS6110530SP		NUT 11/64-40						1	
15		D1153141E00		OIL ADJUSTING SCREW						1	
16		D2438241EA0		STOPPER PLATE ASM.						1	
17		SS6111210SP		SCREW 11/64-40 L=12						4	
18		SS6111620SP		SCREW 11/64-40 L=16.0						2	

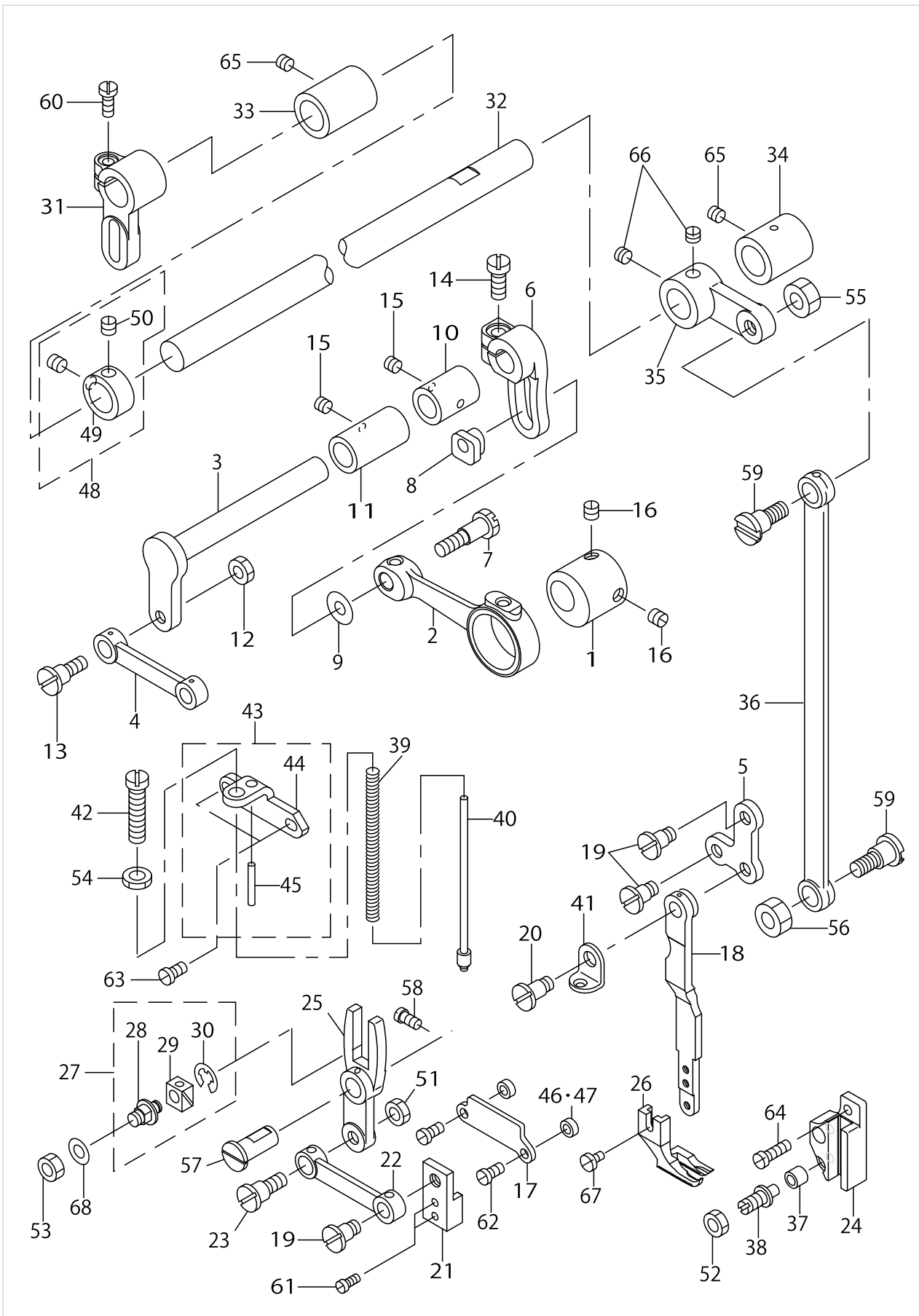
THREAD TENSION COMPONENTS



THREAD TENSION COMPONENTS

No.	Supply Code	Parts No.	Replacement	Parts name	Remarks	Choice	Step	Level	Cons	Qty	Rep. QTY
1		D3111141EAA		THREAD TENSION ASM.						1	
2	R	B3111126000	22945307	TENSION POST SOCKET				*		1	1.00
3		B3115552000		TENSION POST				*		1	
4		11072204		TENSION NUT				*		1	
5		B3120125000		ROTATING STOPPER				*		1	
6	R	B3126012000	22921506	THREAD TENSION DISK				*		2	1.00
7	R	B3128012000	22921605	TAKE-UP SPRING				*		1	1.00
8		B3129053000		TENSION SPRING				*		1	
9		B3132552000		THREAD TENSION DISK PRESSER				*		1	
10		SS8090670SP		SCREW 9/64-40 L=5.5				*		1	
11		B3118552F00		TENSION RELEASING PIN						1	
12	R	B2607372000	B2608280000	RUBBER WASHER						2	1.00
13		D3142141E0A		PIN B						1	
14		D3142141E00		PIN B	SELECTIVE PARTS					1	
15		B3134141H00		TENSION RELEASE PLATE						1	
16		SD0600271SP		HINGE SCREW D=6 H=2.7						1	
17		SD0600321SP		HINGE SCREW D=6 H=3.2						1	
18	R	SS8150710SP	SS8150710TP	SCREW 15/64-28 L=7						1	1.00

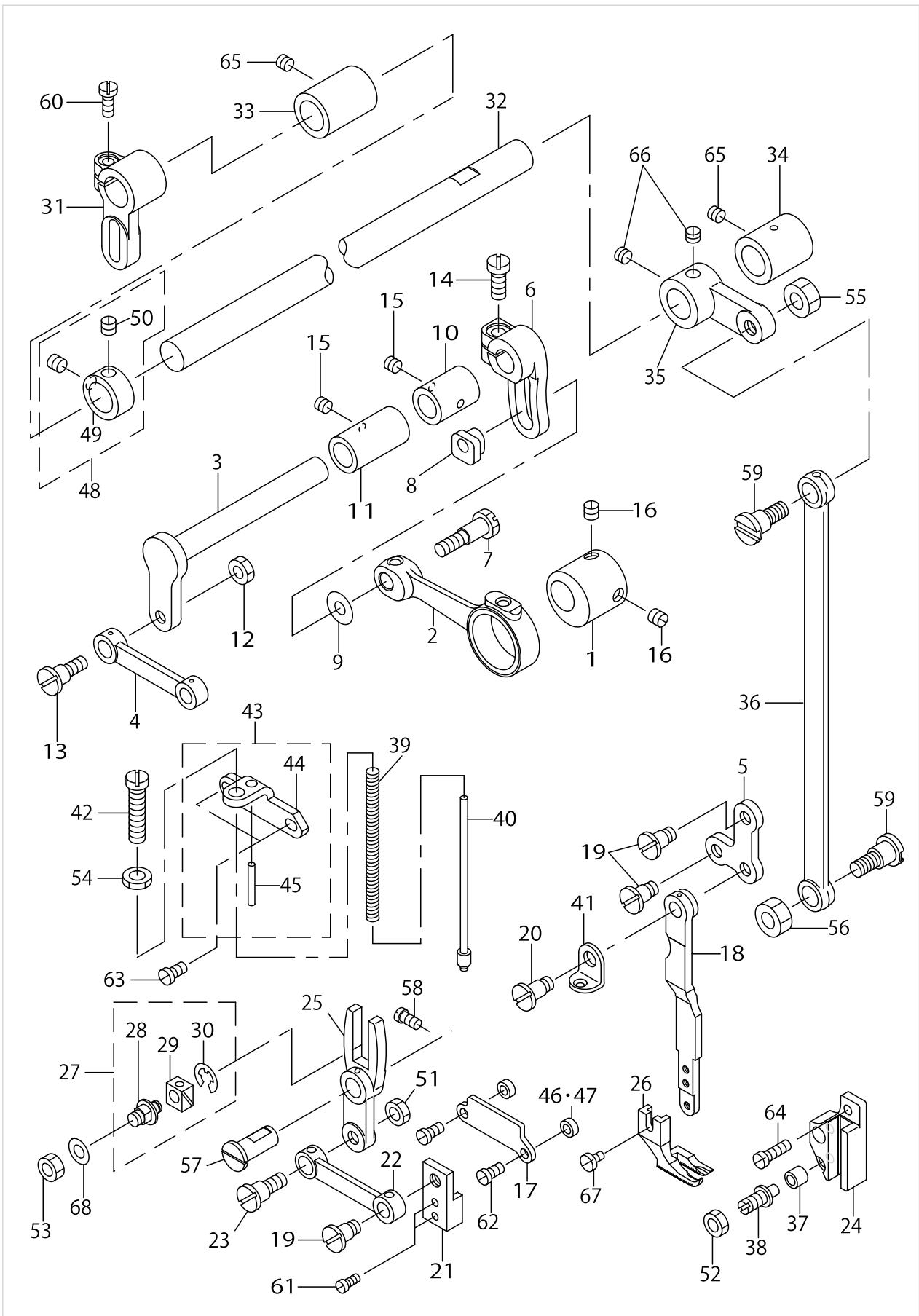
UPPER FEED MECHANISM COMPONENTS



UPPER FEED MECHANISM COMPONENTS

No.	Supply Code	Parts No.	Replacement	Parts name	Remarks	Choice	Step	Level	Cons	Qty	Rep. QTY
1		B3001141H00		FEED DRIVE ECCENTRIC CAM						1	
2		B3002141H00		CRANK CONNECTING ROD						1	
3		B3003141H00A		UPPER FEED DRIVING SHAFT						1	
4		B3005141H00		CONNECTING LINK						1	
5		B3006141H00		L-SHAPED LINK						1	
6	R	B3007141H00	B3007141HA0	UPPER FEED SPRING ROD						1	1.00
7		B3008141H00		HINGE SCREW						1	
8		B3009141H0A		NUT						1	
9		B3010141H00		WASHER						1	
10		B3011141H00		BUSHING						1	
11		B3011141H0A		BUSHING FRONT						1	
12		NS6150310SP		NUT 15/64-28						1	
13		SD0850751SP		HINGE SCREW D=8.50 H=7.5						1	
14		SS6151440SP		SCREW15/64-28L=14						1	
15		SS8150510TP		SCREW 15/64-28 L=4.7						2	
16		SS8660610TP		SCREW 1/4-40 L=6						2	
17		B3012141H00A		WALKING BAR DRIVING LINK						1	
18	R	B3014141H00B	40022000	L-SHAPED ROD						1	1.00
19		B3015141H00		HINGE SCREW						3	
20		B3016141H00		HINGE SCREW B						1	
21		B3017141H00B		CONNECTING LINK HOLDER						1	
22		B3005141H00		CONNECTING LINK						1	
23		SD0850751SP		HINGE SCREW D= 8.50 H=7.5						1	
24		B3020141H00		SLIDE BLOCK GUIDE						1	
25		B3038141H00		SLIDE FORK						1	
26		B1526141H0A		PRESSER FOOT						1	
27		B3023141HA0A		SLIDE BLOCK ASM.						1	
28	R	B3023141H00A	B3023141HA0A	SLIDE BLOCK PIN				*		1	1.00
29	R	B3024141H00	B3023141HA0A	SLIDE BLOCK				*		1	1.00
30		RE0400000K0		E-RING 4				*		1	
31		B3025141H00A		CONNECTING ARM						1	
32		B3026141H00		UPPER FEED DRIVING SHAFT						1	
33		10106102		BUSHING						1	
34		B3028141H00		BUSHING REAR						1	
35	R	40031287	40021784	DRIVING SHAFT ROD						1	1.00
36		B3030141H00		DRIVING ROD						1	
37		B3031141H00		CONNECTING STUD						1	
38		B3032141H00		CONNECTING STUD SHAFT						1	
39		B3033141H00		SPRING						1	
40		B3034141H00		SPRING POLE						1	
41		B3035141H00		RETAINING PLATE						1	
42		B3036141H00		ADJUSTING THUMB SCREW						1	
43		B3037141HA0		SPRING BASE ASM.						1	
44		B3037141H00		SPRING BAR				*		1	
45		PS0300201KP		SPRING PIN 3.0X20				*		1	
46		B3013141H0A		WASHER						2	

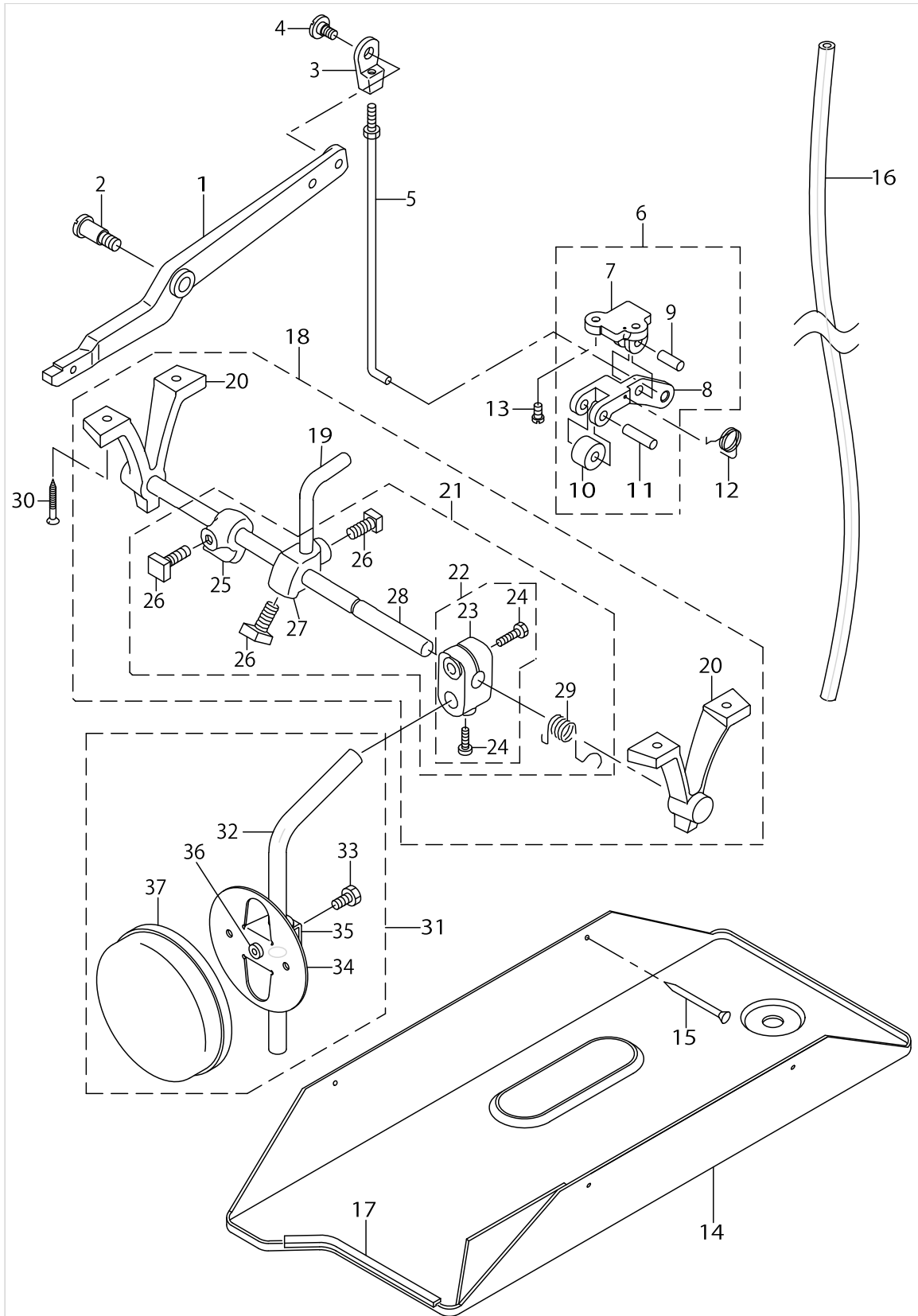
UPPER FEED MECHANISM COMPONENTS



UPPER FEED MECHANISM COMPONENTS

No.	Supply Code	Parts No.	Replacement	Parts name	Remarks	Choice	Step	Level	Cons	Qty	Rep. QTY
47		B3013141H0B		WASHER	SELECTIVE PARTS					2	
48		22904155		MAIN SHAFT THRU-ST COLLAR ASM.						1	
49	R	22904106	22904155	MAIN SHAFT THRUST COLLAR				*		1	1.00
50		SS8660610TP		SCREW 1/4-40 L=6				*		2	
51		NS6150310SP		NUT 15/64-28						1	
52		NS6660430SP		NUT 1/4-40						1	
53		NS6160520SP		NUT 1/4-24						1	
54		NS6680320SP		NUT 9/32-28						1	
55		NS6680410SP		NUT 9/32-28						1	
56		NS6680320SP		NUT 9/32-28						1	
57		21272802		BRANCH LINK SHAFT						1	
58		SS7120910TP		SCREW 3/16-28 L=9						1	
59		SD1020961SP		HINGE SCREW D=10.2 H=9.6						2	
60		SS6121210SP		SCREW 3/16-28 L=12						1	
61	R	SS7091110SP	SS7091110TP	SCREW 9/64-40 L=10.5						2	1.00
62	R	SS7110910SP	SS7110910TP	SCREW 11/64-40 L=8.5						2	1.00
63	R	SS7111120SP	SS7111120TP	SCREW 11/64-40 L=10.5						2	1.00
64		SS7111410TP		SCREW 11/64-40 L=14						3	
65		SS8150510TP		SCREW 15/64-28 L=4.7						2	
66		SS8660530TP		SCREW 1/4-40 L=4.5						2	
67		SS7090610SP		SCREW 9/64-40 L=6						1	
68		WP0650876SD		WASHER 6.5X13X0.8						1	

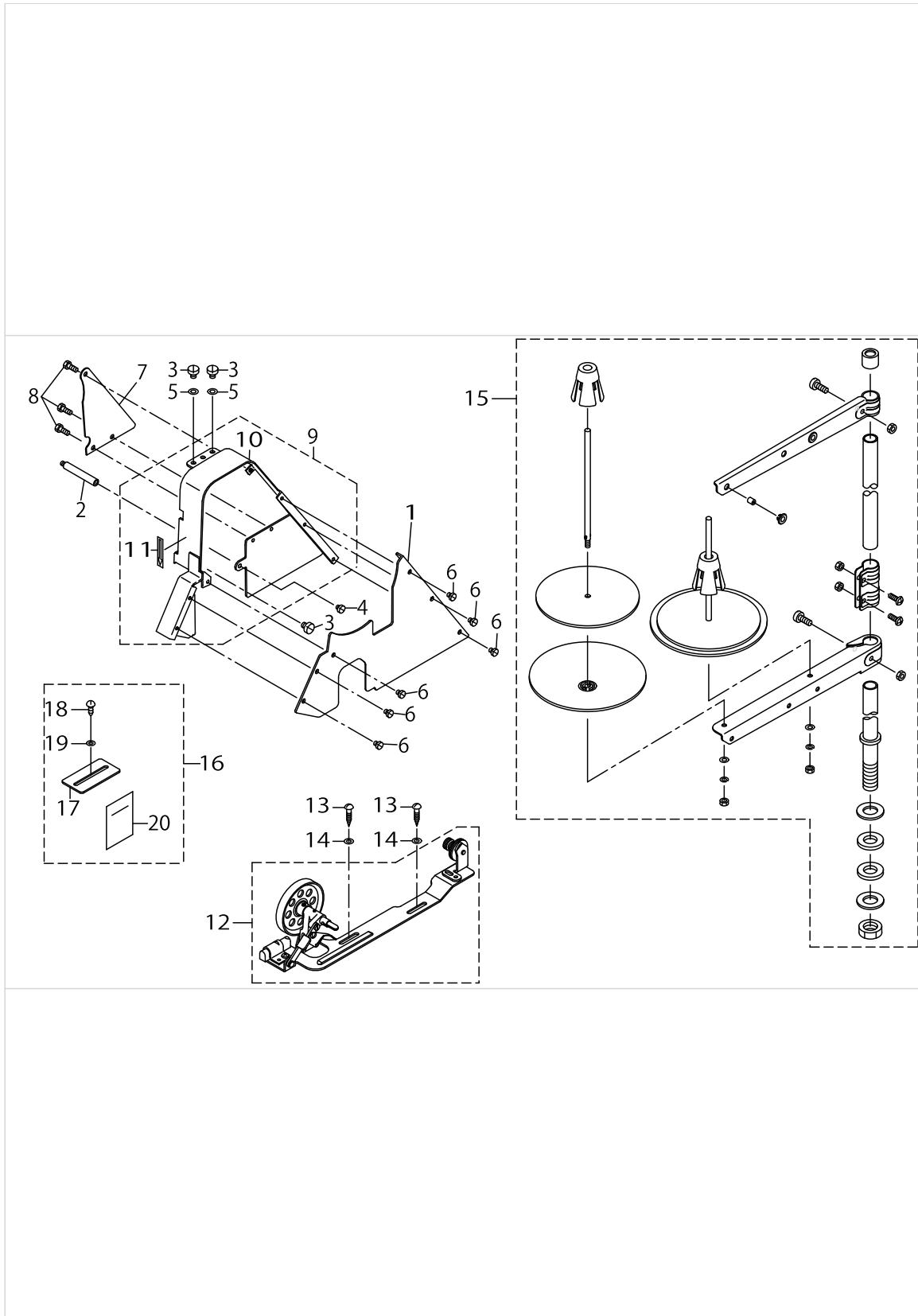
KNEE LIFTER & OIL PAN COMPONENTS



KNEE LIFTER & OIL PAN COMPONENTS

No.	Supply Code	Parts No.	Replacement	Parts name	Remarks	Choice	Step	Level	Cons	Qty	Rep. QTY
1		D3410141E0AA		KNEE LIFTER						1	
2		SD0991551SP		HINGE SCREW D=9.9 H=15.5						1	
3		B3416141H00A		SWIVEL						1	
4		SD0790351SP		HINGE SCREW D=7.9 H=3.5						1	
5		B3415141HA0		CONNECTING ROD VERTICAL						1	
6		B3402141HA0A		BELL CRANK BRACKET ASM.						1	
7	R	B3401141H00	B3402141HA0A	BELL CRANK BRACKET				*		1	1.00
8		B3402141H00A		BELL CRANK BRACKET				*		1	
9	R	B3403141H00	B3402141HA0A	PIN				*		1	1.00
10		B3404141H00		ROLLER				*		1	
11	D	B3405141H00		PIN				*		1	
12		B3406141H00		SPRING						1	
13	R	SS7120910SP	SS7120910TP	SCREW 3/16-28 L=9						2	1.00
14		B8217141HA0		OIL RESERVOIR ASM.						1	
15		B8210012000		CUSHION SET NAIL						4	
16		BP800000000		VINYL TUBE WHITE D=8						.8	
17	D	MAV02130000		EDGING						.2	
18		B3420141HAA		KNEE LIFTER ASM.						1	
19		B3426141H00A		KNEE LIFTING BENT ARM				*		1	
20		40032132		SUPPORT				*		2	
21		40033892		KNEE LIFTER ASM.				*		1	
22		22932453		BRACKET ASM.				*		1	
23	R	22932404	22932453	BRACKET				*		1	1.00
24		22934707		SCREW				*		2	
25		B3434141H00		BRACKET				*		1	
26	R	B3425141H00	SS9201813CP	MOUNTING BRACKET SET SCREW				*		3	1.00
27		B3424141H00		MOUNTING BRACKET				*		1	
28		B3420141H0A		MAIN SHAFT				*		1	
29		40130335		KNEE TOP ROTARY SPRING				*		1	
30		SK3483201SE		WOOD SCREW D=4.8 L=32						4	
31		22934251		KNEE PAD PLATE ASM.						1	
32		22934608		KNEE PAD UPRIGHT SHAFT				*		1	
33		SM9061203SE		SCREW M6 L=12				*		1	
34		22934202		KNEE PAD PLATE				*		1	
35		22934301		KNEE PAD PLATE SUPPORT				*		1	
36		22934400		KNEE PAD PLATE RUBBER				*		1	
37		22934509		KNEE PAD PLATE COVER				*		1	

THREAD STAND, BELT COVER & BOBBIN WINDER COMPONENTS



THREAD STAND, BELT COVER & BOBBIN WINDER COMPONENTS

No.	Supply Code	Parts No.	Replacement	Parts name	Remarks	Choice	Step	Level	Cons	Qty	Rep. QTY
1		D8231141E0C		BELT COVER A						1	
2		D8232141E00		BELT COVER SUPPORT						1	
3		SS7150740SP		SCREW 15/64-28 L=7						3	
4		SS6110480SP		SCREW 11/64-40 L=4.3						1	
5		WP0621016SD		WASHER 6.2X13X1						2	
6		SS7110340SP		SCREW 11/64-40 L=3.2						6	
7		D8233141E0A		BELT COVER B	FOR DU-1-41H-4-1,-7-00					1	
8		SS6110480SP		SCREW 11/64-40 L=4.3	FOR DU-1-41H-4-1,-7-00					3	
9		D8230141EAA		BELT COVER (WITH LABEL)						1	
10		D8230141E0A		BELT COVER				*		1	
11		CM500300001		DIRECTION LABEL				*		1	
12		11415866		BOBBIN WINDER COMPL						1	
13	R	SK3482500SC	SK3482501SE	WOOD SCREW D=4.8 L=25						2	1.00
14		WP0501016SC		WASHER 5X10.5X1						2	
15		40096354		THREAD STAND ASM.						1	
16		10163152		BELT COVER SUPPORT PLATE ASM.	FOR JE					1	
17		10163103		BELT COVER SUPPORT PLATE	FOR JE			*		1	
18	R	SK3482500SC	SK3482501SE	WOOD SCREW D=4.8 L=25	FOR JE			*		1	1.00
19		WP0501016SC		WASHER 5X10.5X1	FOR JE			*		1	
20		29182508		BELT COVER ENGLISH MANUAL	FOR JE			*		1	

TABLE COMPONENTS

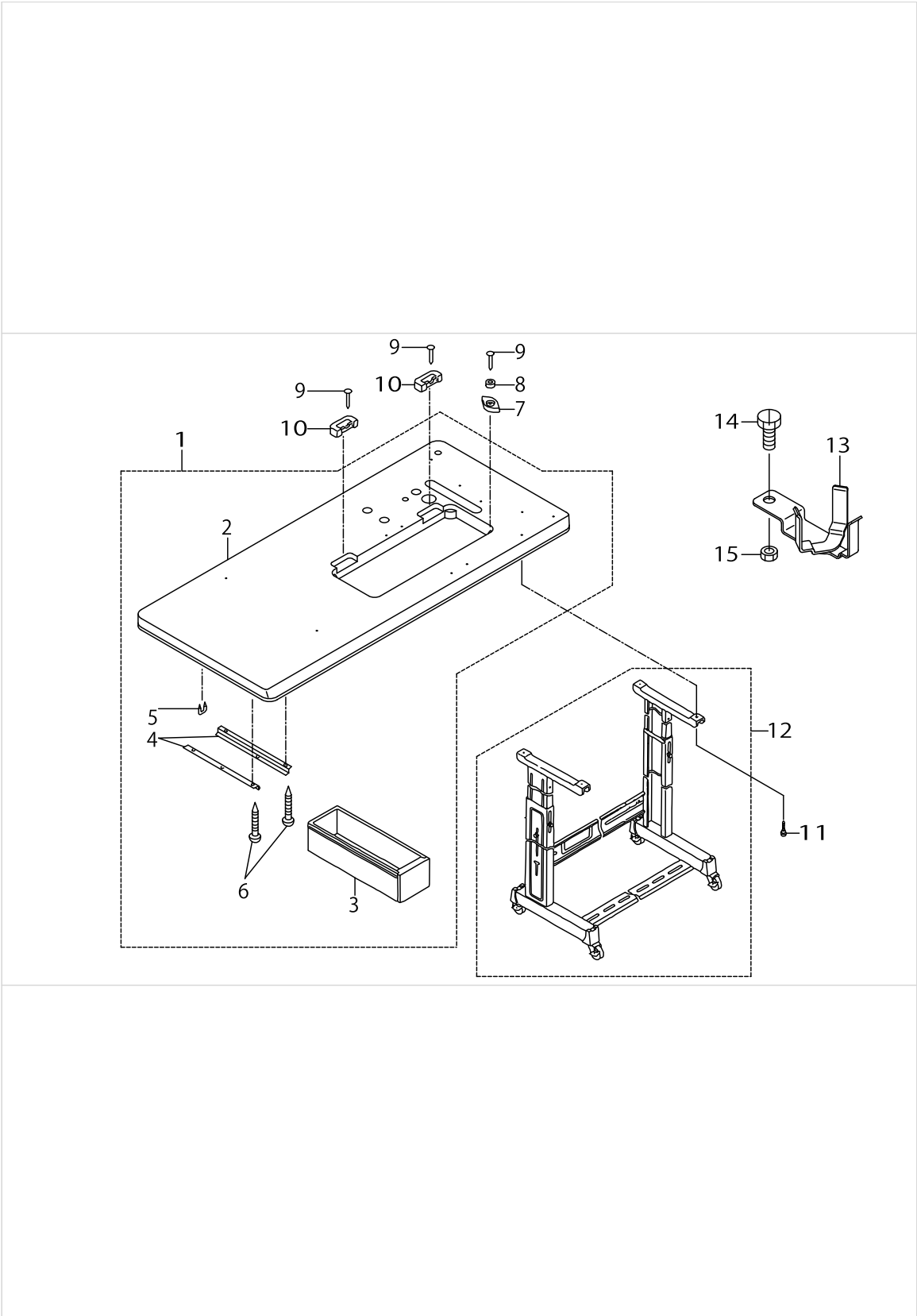
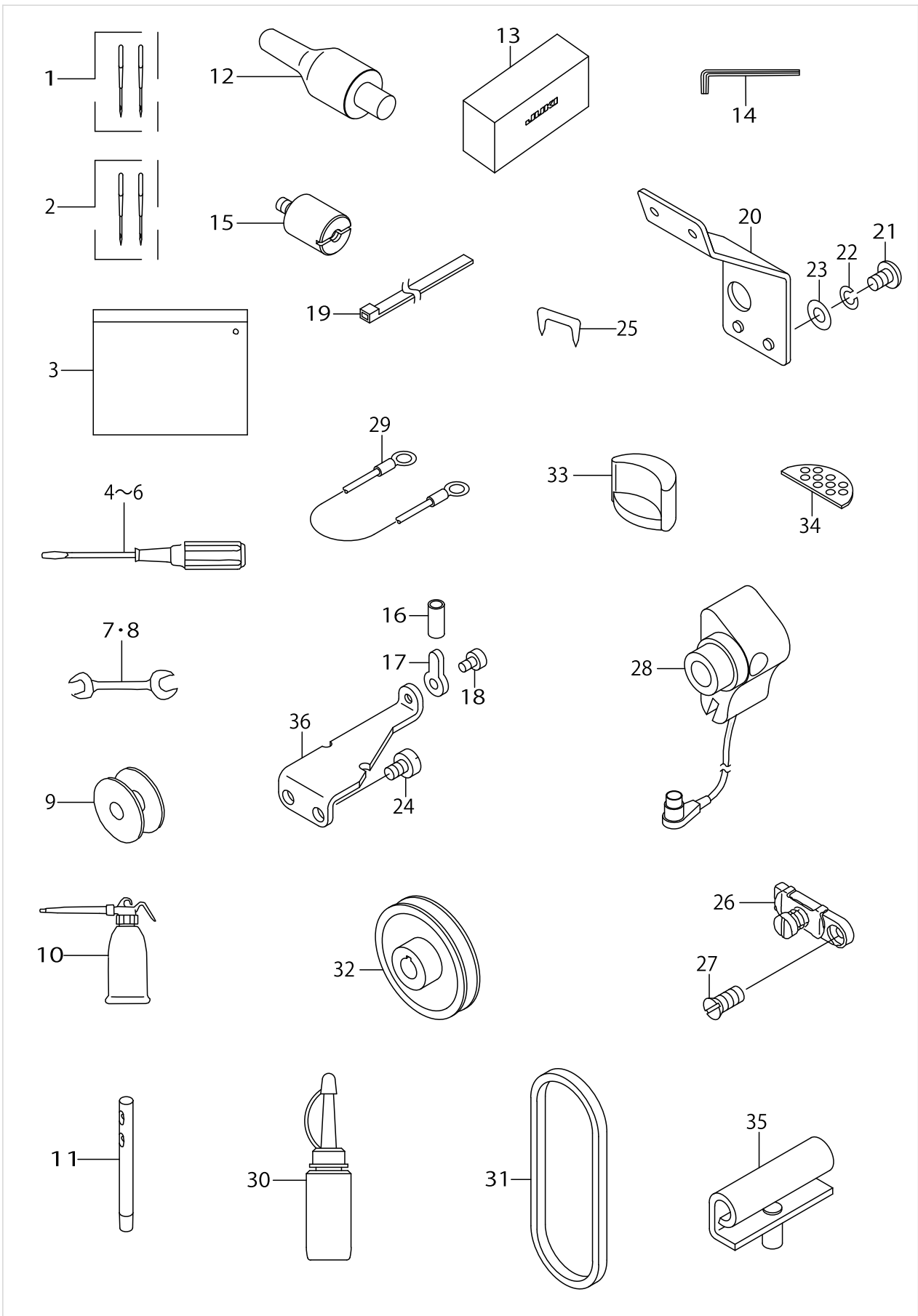


TABLE COMPONENTS

No.	Supply Code	Parts No.	Replacement	Parts name	Remarks	Choice	Step	Level	Cons	Qty	Rep. QTY
1		D8201141HA0		TABLE ASM.						1	
2		D8201141H00		TABLE				*		1	
3	R	11155108	11155157	DRAWER				*		1	1.00
4		11155207		DRAWER SUPPORT				*		2	
5		D8204555D00		DRAWER STOPPER				*		1	
6		SK3311600SE		WOOD SCREW D=3.1 L=16				*		6	
7		B8209012000		RUBBER CUSHION						4	
8		B8206012000		FELT CUSHION						4	
9		10539906		SET NAIL						8	
10		11075801		RUBBER SPACER						2	
11		ST9053511SR		TAPPING SCREW M5X35						4	
12		11157567		T LEG JUNCTION						1	
13		11074408		SUPPORT BASE						1	
14		SL9082091SE		WASHER HEXAGONAL BOLT						1	
15		NM6080001SE		NUT M8						1	

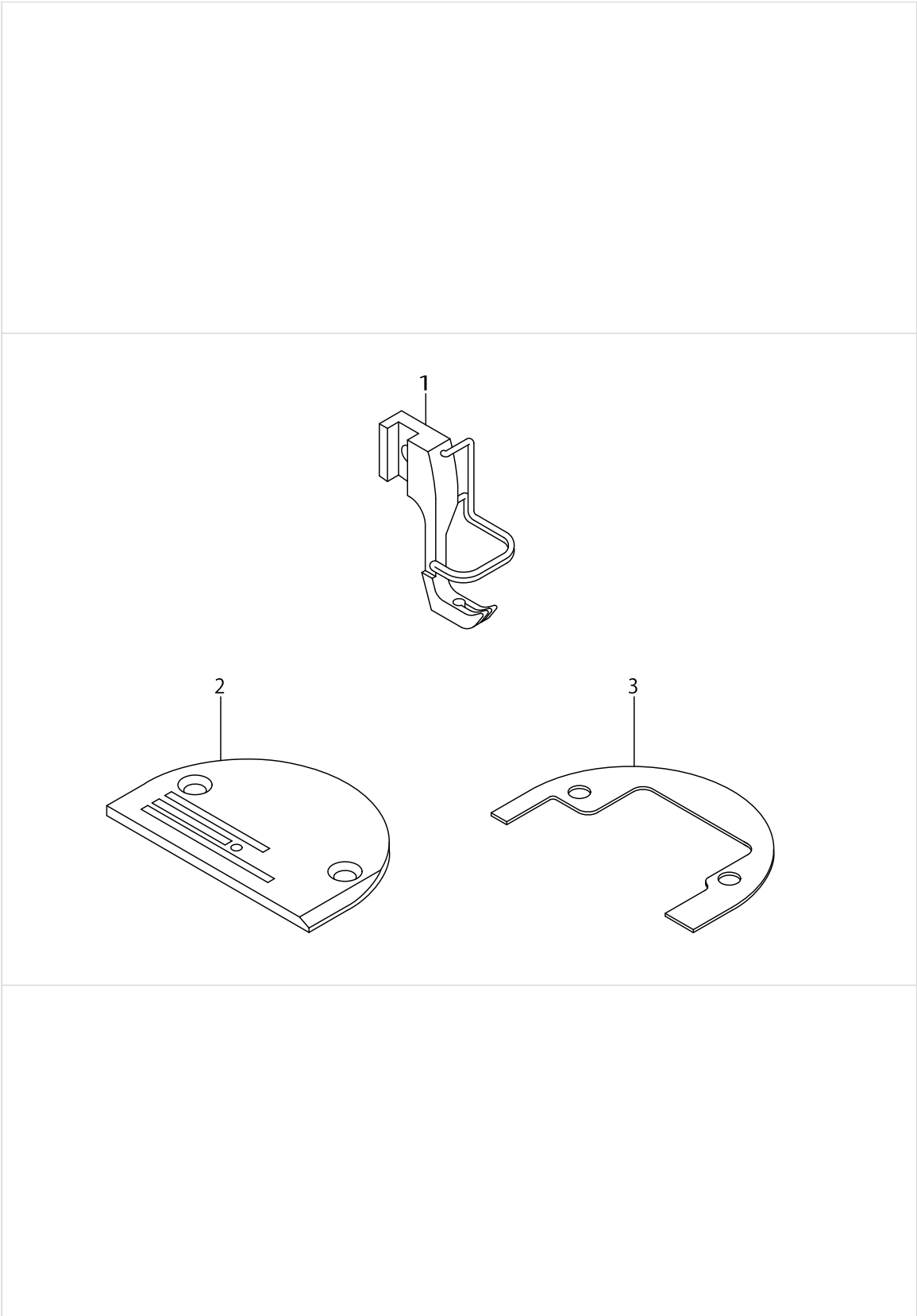
ACCESSORIES PARTS COMPONENTS



ACCESSORIES PAPRTS COMPONENTS

No.	Supply Code	Parts No.	Replacement	Parts name	Remarks	Choice	Step	Level	Cons	Qty	Rep. QTY
1		MDB100B2102		NEEDLE DBX1#21-2	EXCEPT JE					1	
2		MC142501302		NEEDLE 1738 NM130-2	FOR JE					1	
3	R	B9101552000	22932800	ACCESSORY BOX						1	1.00
4		22933006		SCREW DRIVER LARGE						1	
5		22933105		SCREW DRIVER MIDDLE						1	
6		22933204		SCREW DRIVER SMALL						1	
7	R	B9112012000	26034702	WRENCH (11X14)						1	1.00
8		B9113012000		WRENCH (9X10)						1	
9		D9117141E00		BOBBIN						1	
10		B9121141HA0		OILER ASM.						1	
11		22958300		NEEDLE THREAD GUIDE PIN						1	
12		14101208		HEAD SUPPORT BAR						1	
13		22933303		VINYL COVER						1	
14		D9101141E00		WRENCH(5MM)						1	
15		40101368		PANEL STUD	FOR DU-141H-7					2	
16		BT0630520Z0		HOLDER COVER	FOR DU-141H-7					1	
17		D7102141E00		SYNCHRONIZER SUPPORT PLATE						1	
18		SS7110710SP		SCREW 11/64-40 L=7						1	
19		EA9500B0100		CABLE BAND						1	
20		40052256		PANEL THREAD GUIDE	FOR DU-141H-7					1	
21		SM4040601SC		SCREW M4X0.7 L=6	FOR DU-141H-7					1	
22		WS0410002KN		SPRING WASHER	FOR DU-141H-7					1	
23		WP0430800SC		WASHER M4	FOR DU-141H-7					1	
24		SS7150940SP		SCREW 15/64-28 L=9						2	
25		MAO11532000		CORD STAPLE	FOR DU-141H-4					1	
26		D1129141EA0		ARM THREAD GUIDE BOTTOM ASM.						1	
27		SS2090710TP		SCREW 9/64-40 L=7.2						1	
28		40026920		SYNCHRONIZERASM.	FOR DU-141H-7					1	
29		10741759		GROUND WIRE ASM.						1	
30		B91212200A0		OILER (CONTAINING NO.2 OIL)						1	
31		MTJVM00400A		V BELT						1	
32		MTSP00750B0		MOTOR PULLEY ASM. P.C.D 75						1	
33		11076007		FRAME RUBBER CUSHION						2	
34		D8226555E00		FRAME RUBBER CUSHION A						2	
35	R	B8213125AA0	22958052	HINGE ASM.	FOR DU-141H-7					1	1.00
36		D7101141E00		SYNCHRONIZER FIXED PLATE						1	

GAUGE COMPONENTS



GAUGE COMPONENTS

No.	Supply Code	Parts No.	Replacement	Parts name	Remarks	Choice	Step	Level	Cons	Qty	Rep. QTY
1		D1525141EAA		PRESSER FOOT ASM.						1	
2	D	D1105141E0A		NEEDLE PLATE(2.0)						1	
3		D1106141E00		WASHER						1	

LIST FOR INFORMATION OF CHANGE

As to the place changed, refer to the corresponding Rev.No.
 When previous parts(Obsoleted part)and new parts(Added parts)are
 not interchangeable with each other:
 In this case,even obsoleted parts(D.)can be ordered with the
 obsoleted part number,so select the parts with changed dates and
 place your orders.

変更箇所は、該当Rev.No.版をご参照ください。
 部品の互換性がない変更の場合は、削除された品番でも、ご注文できます。

19556505
 No.0450-05 Rev.No.

*A:Added parts追加部品/D:Obsoleted parts削除部品/E:Erratum訂正

*	Rev. No.	Page	Ref. No.	Parts No. 品番	*	Rev. No.	Page	Ref. No.	Parts No. 品番
D	04	8	7	SM-4030601-SB	A	05	8	7	SM-4030601-SC
D	04	10	8	118-47308	A	05	10	8	B1602-141-H00
D	04	12	75	SS-6111140-SP	A	05	12	75	SS-7111810-TP
D	04	18	35	B3029-141-H00	A	05	18	35	400-31287
					A	05	20	21	400-33892
					A	05	20	22	229-32453
D	04	20	21	B3433-141-H0A	A	05	20	23	229-32404
D	04	20	23	B3435-141-H00	A	05	20	29	401-30335
D	04	20	27	SS-9182010-SN	A	05	20	24	229-34707
D	04	21	15	229-30358	A	05	21	15	400-96354
D	04	24	5	B9110-012-000	A	05	24	5	229-33105
D	04	24	6	B9111-012-000	A	05	24	6	229-33204
D	04	24	15	B8404-352-000	A	05	24	15	401-01368
D	04	24	20	D1114-245-F00	A	05	24	20	400-52256
D	04	24	30	MSP-NDL200C0	A	05	24	30	B9121-220-0A0

HOW TO MAKE USE OF THIS PARTS LIST

1.Explanation of codes

1)"*"mark.....means this part is changed from the previous parts book.

As to the details of the change, refer to the "List for information of change".

2)"#01".....refer to "Note" explanation at bottom of page.

2.Codes on the "Qty" column

• Each numeral indicates the number of parts required.

• "0.1" and "2.5" indicate the length (in meters) of the respective parts.

3.Parentheses mean that the corresponding part is a subpart that constructs an assembly part.

4.Dotted lines on the Figures indicate assembly parts.

1."注記"欄の記号説明

1) "*"印.....前回のパーツブックに比較して今回変更された部品を意味します。

変更内容は、"変更情報リスト"を参照してください。

2) "#01".....ページ下の"注記"の説明を参照してください。

2.数量欄の数字は、個数を表し、0.1、2.5等の数値は、長さ（単位メートル）を表します。

3.数量欄の（ ）は、組部品を構成している子部品であることを意味します。

4.イラストページの-----枠は、組構成であることを意味します。

NUMERICAL INDEX OF PARTS

PART NO	PAGE	REF NO.	PART NO	PAGE	REF NO.	PART NO	PAGE	REF NO.
10106102	28	33	22934251	32	31	B1301201000	6	22
10119105	22	1	22934301	32	35	B1302271000	6	23
10119204	22	5	22934400	32	36	B1303271000	6	24
10119402	22	13	22934509	32	37	B13050120A0	6	25
10119907	22	28	22934608	32	32	B13052710B0	6	29
10120004	12	17	22934707	32	24	B13061550A0	6	37
10120004	22	25	22958300	38	11	B13071550A0	6	27
10161305	22	2	26028001	12	27	B13072710A0	6	30
10163103	34	17	29182508	34	20	B13081550A0	6	34
10163152	34	16	31255300	14	16	B1408141H00	8	17
10539906	36	9	40026920	38	28	B1411552000	8	16
10741759	38	29	40031287	28	35	B1414555000	8	4
11002904	16	58	40032132	32	20	B1505227T00A	10	3
11044054	20	72	40032259	2	10	B1510155000	10	4
11072204	26	4	40033892	32	21	B1513141H00	10	8
11074408	36	13	40052256	38	20	B1515141H00	10	6
11075801	36	10	40096354	34	15	B1526141H0A	28	26
11076007	38	33	40101368	38	15	B1601141H00	14	4
11155108	36	3	40130335	32	29	B1602141H00	14	8
11155207	36	4	B1103141H00	2	12	B1603141H00	14	6
11157567	36	12	B1105122000	2	38	B1604012000A	14	17
11415205	2	11-37	B1110012000	2	4	B1604141H00	14	7
11415866	34	12	B11100120A0	2	3	B1605141H00	14	5
14101208	38	12	B1111012000	2	5	B1606141H00	14	15
21103304	10	5	B1113012000	16	68	B1606141HA0	14	12
21272802	30	57	B1114280000	22	27	B1611155000A	14	18
21286802	2	7	B1118141H0AA	2	9	B1613141H00	14	10
22901409	8	5	B1121141HAAD	2	1	B1614141H00	14	1
22901805	2	39	B1123141H0A	2	11-37	B1618226000	14	19
22904106	6	13	B1129141H00	2	8	B1619141H00	14	20
22904106	30	49	B1131141H00	2	14	B1621141H00A	14	21
22904155	6	12	B1147141H00	16	55	B1622141H00	14	22
22904155	30	48	B1148141H00	16	56	B1624141H0A	14	24
22906101	8	2	B1155141H00	24	7	B1627226000	14	25
22907000	10	1	B1156115000	2	16	B16331220A0	14	26
22907505	10	2	B1202141H0A	6	2	B1634141H00A	14	3
22907604	10	9	B1203051000	6	40	B1636141H0A	14	11
22907703	10	16	B1203141H00	6	3	B1637141H00	14	9
22932404	32	23	B1204141H00	6	4	B1638141H00	16	51
22932453	32	22	B1208141H00	16	60	B1646201000	14	27
22933006	38	4~6	B1210141H00	8	18	B1647226000	14	28
22933105	38	4~6	B1211141H00	6	7	B1648122000	14	29
22933204	38	4~6	B1211226000	6	8	B1701115000	16	57
22933303	38	13	B1212012000	6	9	B1704141H00	16	61
22934202	32	34	B1213012000	6	10	B1705141H00	16	59

NUMERICAL INDEX OF PARTS

PART NO	PAGE	REF NO.	PART NO	PAGE	REF NO.	PART NO	PAGE	REF NO.
B1705155000	14	13	B3037141HA0	28	43	BP300000000	22	30
B1706155000	14	14	B3038141H00	28	25	BP800000000	32	16
B1801141H00	24	1	B3111126000	26	2	BT0630520Z0	38	16
B1806271000	24	5	B3115552000	26	3	CM300200001	2	44
B1901141H00	8	12	B3118552F00	26	11	CM301300001	2	41
B1901141HA0	8	11	B3120125000	26	5	CM500300001	34	11
B1902115000	8	13	B3126012000	26	6	CQ202000000	2	21
B1903141H00	8	14	B3128012000	26	7	CQ202000000	14	63
B1904115000	8	15	B3129053000	26	8	CQ202000000	16	63
B2607372000	26	12	B3132552000	26	9	CS080081ASH	20	51
B2733761000	22	29	B3134141H00	26	15	CS1111019SH	14	32
B3001141H00	28	1	B3401141H00	32	7	CS111101CSH	14	31
B3002141H00	28	2	B3402141H00A	32	8	D1105141E00	2	2
B3003141H00A	28	3	B3402141HA0A	32	6	D1105141E0A	40	2
B3005141H00	28	22	B3403141H00	32	9	D1106141E00	40	3
B3006141H00	28	5	B3404141H00	32	10	D1126560E00A	2	13
B3007141H00	28	6	B3405141H00	32	11	D1129141EA0	38	26
B3008141H00	28	7	B3406141H00	32	12	D1151141E00	24	10
B3009141H0A	28	8	B3415141HA0	32	5	D1151141EA0	24	9
B3010141H00	28	9	B3416141H00A	32	3	D1152141E00	24	8
B3011141H00	28	10	B3420141H0A	32	28	D1153141E00	24	15
B3011141H0A	28	11	B3420141HAA	32	18	D1154141E00	24	13
B3012141H00A	28	17	B3424141H00	32	27	D1201141E00A	6	1
B3013141H0A	28	46-47	B3425141H00	32	26	D1206141E00	6	5
B3013141H0B	30	46-47	B3426141H00A	32	19	D1227141E0C	6	6
B3014141H00B	28	18	B3434141H00	32	25	D1230552B00	6	36
B3015141H00	28	19	B3503201000	2	17	D1401141E00	8	1
B3016141H00	28	20	B3504201000	2	18	D1403141E00	8	3
B3017141H00B	28	21	B3508019000	24	11	D1418141E00	8	6
B3020141H00	28	24	B3511280000	6	11	D1512141E00	10	7
B3023141H00A	28	28	B3515201000	2	19	D1525141EA0	10	10
B3023141HA0A	28	27	B3517009000	2	36	D1525141EAA	40	1
B3024141H00	28	29	B3527012000	2	20	D1620141E00	14	2
B3025141H00A	28	31	B3538112000	12	18	D1621141E00	22	21
B3026141H00	28	32	B3538112000	20	67	D1623141E0A	14	23
B3028141H00	28	34	B8206012000	36	8	D1624141E0A	22	24
B3030141H00	28	36	B8209012000	36	7	D1680141EA0	22	37
B3031141H00	20	60	B8210012000	32	15	D1681141E0A	22	33
B3031141H00	28	37	B8213125AA0	38	35	D1682141E00	22	32
B3032141H00	28	38	B8217141HA0	32	14	D1683141E00	22	22
B3033141H00	28	39	B9101552000	38	3	D1684141E00A	22	15
B3034141H00	28	40	B9112012000	38	7-8	D1685141E00	22	26
B3035141H00	28	41	B9113012000	38	7-8	D1686141E00	22	18
B3036141H00	28	42	B9121141HA0	38	10	D1687141E00	22	16
B3037141H00	28	44	B91212200A0	38	30	D1802141E00A	18	41

NUMERICAL INDEX OF PARTS

PART NO	PAGE	REF NO.	PART NO	PAGE	REF NO.	PART NO	PAGE	REF NO.
D1803141E00	20	76	D3111141EAA	26	1	NM6080001SE	36	15
D1830141EA0	18	35	D3142141E00	26	13·14	NS6080210SP	18	1
D1836141E00	18	9	D3142141E0A	26	13·14	NS6090310SP	18	20
D1837141EA0	18	32	D3149141E00	12	16	NS6110310SP	18	26
D1838141E00	18	33	D3151141E00	12	14	NS6110530SP	24	14
D1841141E00	24	3	D3152141E00	12	13	NS6150310SP	28	51
D1841141EA0	24	2	D3153141E00	12	1	NS6150310SP	30	51
D1853141E00	18	8	D3154141E00	12	2	NS6150430SP	22	20
D2410141E00	20	48	D3155141E00	12	8	NS6160520SP	30	53
D2411141E00	18	22	D3156141E00	12	9	NS6660430SP	20	57
D2414141E00	20	69	D3157141E0A	12	5	NS6660430SP	30	52
D2415141E00A	18	38	D3158141E00	12	11	NS6680320SP	30	56
D2416141E00	20	49	D3159141E00	12	12	NS6680410SP	14	64
D2417241E00	18	27	D3160141E00	12	15	NS6680410SP	16	64
D2418141E00	18	18	D3161560EA0	2	40	NS6680410SP	30	55
D2419141E00	20	53	D3410141E0AA	32	1	NS6740510SP	16	69
D2420141E00	18	23	D7101141E00	38	36	PS0300132KH	10	11
D2421141E00	18	24	D7102141E00	38	17	PS0300201KP	28	45
D2422141E00	18	25	D8201141H00	36	2	PS0350102KR	2	23
D2423141E00	18	39	D8201141HA0	36	1	RC1850001KP	18	42
D2424141E00	18	3	D8204555D00	36	5	RE0250000K0	12	10
D2425141E00	20	65	D8226555E00	38	34	RE0400000K0	22	12
D2426141E00	20	63	D8230141E0A	34	10	RE0400000K0	28	30
D2427141E00	20	58	D8230141EAA	34	9	RE0500711KP	14	35
D2428141E00	20	66	D8231141E0C	34	1	RE0600000K0	22	17
D2429241E00	18	5	D8232141E00	34	2	RO074240100	16	53
D2430141E00	18	43	D8233141E0A	34	7	SD0500301SP	18	21
D2431141E00	18	13	D9101141E00	38	14	SD0550271TP	12	22
D2432141E00	18	11	D9117141E00	18	34	SD0600271SP	26	16
D2433141E00	20	54	D9117141E00	38	9	SD0600321SP	26	17
D2434141E00A	18	15	EA9500B0100	20	70	SD0630301SP	12	21
D2434245E00	20	61	EA9500B0100	38	19	SD0640321SP	12	20
D2435141E00A	18	14	EA9502B0500	12	25	SD0720331SP	22	19
D2436141E00	18	31	HK034610140	20	74	SD0790351SP	32	4
D2438241EA0	24	16	HK03464000B	20	73	SD0850751SP	28	23
D2439141E00	18	16	HK03464000B	22	36	SD0950802SH	16	52
D2440141E00	20	47	MAO11532000	38	25	SD0991551SP	32	2
D2441141E00	18	29	MAT81126T00	22	31	SD1020961SP	16	66
D2442141E00	18	30	MAV02130000	32	17	SD1020961SP	30	59
D2443141E00	18	2	MC142501300	8	7·8	SK3311600SE	36	6
D2444141E00	18	12	MC142501302	38	2	SK3482500SC	34	18
D2445141E00	20	55	MDB100B2100	8	7·8	SK3483201SE	32	30
D2454141E00	18	37	MDB100B2102	38	1	SL9082091SE	36	14
D2455141E00	18	36	MTJVM00400A	38	31	SM1030601SA	12	3
D2464555B00	22	11	MTSP00750B0	38	32	SM4030601SC	12	7

NUMERICAL INDEX OF PARTS

PART NO	PAGE	REF NO.	PART NO	PAGE	REF NO.	PART NO	PAGE	REF NO.
SM4040601SC	38	21	SS7110710SP	20	68	SS8660610TP	6	18
SM6031202TP	6	39	SS7110710SP	22	35	SS8660610TP	10	14
SM6051410SC	6	33	SS7110710SP	38	18	SS8660610TP	14	33
SM8060612TP	18	45	SS7110720SP	2	33	SS8660610TP	28	50
SM8060812TP	18	44	SS7110840SP	10	13	SS8660610TP	30	50
SM9061203SE	32	33	SS7110910SP	12	4	SS8660810TP	6	38
SS1080620SP	20	71	SS7110910SP	20	59	SS8681950SP	6	21
SS2090620SP	18	40	SS7110910SP	30	62	SS9111010SP	22	10
SS2090710TP	2	24	SS7111120SP	6	32	SS9660720SP	16	50
SS2090710TP	38	27	SS7111120SP	16	67	SS9660910SP	16	49
SS2110915SP	2	26	SS7111120SP	18	10	ST9053511SR	36	11
SS4080620TP	14	36	SS7111120SP	30	63	TA1250406R0	2	15
SS5090610SP	2	25	SS7111410SP	2	45	WP0320501SC	12	6
SS5660440SP	24	12	SS7111410TP	30	64	WP0430800SC	38	23
SS6060210SP	2	6	SS7111810TP	20	75	WP0450000SD	18	6
SS6090670TP	8	19	SS7112420SP	2	27	WP0501016SC	34	19
SS6090670TP	18	17	SS7120640SP	12	24	WP0501016SD	2	42
SS6110480SP	34	8	SS7120910SP	16	45	WP0501016SD	22	9
SS6110610TP	2	35	SS7120910SP	32	13	WP0621016SD	22	6
SS6110710TP	16	65	SS7120910TP	30	58	WP0621016SD	34	5
SS6111210SP	24	17	SS7121410TP	14	43	WP0650876SD	30	68
SS6111610SP	2	28	SS7121410TP	22	23	WS0410002KN	38	22
SS6111620SP	24	18	SS7150740SP	34	3	WS0631510KP	22	7
SS6121050SP	14	37	SS7150940SP	38	24	WT0530002KS	2	43
SS6121210SP	14	38	SS7151210SP	22	14	WZ1052010KP	16	54
SS6121210SP	30	60	SS7620750SP	14	44			
SS6121212TP	18	28	SS7681750TP	6	20			
SS6151220SP	14	39	SS8090670SP	26	10			
SS6151440SP	20	50	SS8110320SP	20	64			
SS6151440SP	28	14	SS8110410TP	2	34			
SS6661110SP	14	40	SS8110750SP	10	15			
SS7080510TP	8	9	SS8150510TP	22	34			
SS7080510TP	18	4	SS8150510TP	28	65			
SS7090610SP	30	67	SS8150510TP	30	65			
SS7090620TP	2	29	SS8150710SP	26	18			
SS7090710SP	14	41	SS8150710TP	6	15			
SS7090710SP	22	38	SS8150710TP	16	47			
SS7091110SP	10	12	SS8150710TP	20	78			
SS7091110SP	30	61	SS8150710TP	24	6			
SS7110340SP	34	6	SS8151150SP	6	16			
SS7110410SP	18	7	SS8151550SP	6	31			
SS7110510SP	2	30	SS8151550SP	8	10			
SS7110710SP	2	47	SS8620610TP	16	48			
SS7110710SP	4	47	SS8660410SP	24	4			
SS7110710SP	12	26	SS8660530TP	30	66			