

MODEL : TNU-243

List No : 0543-04

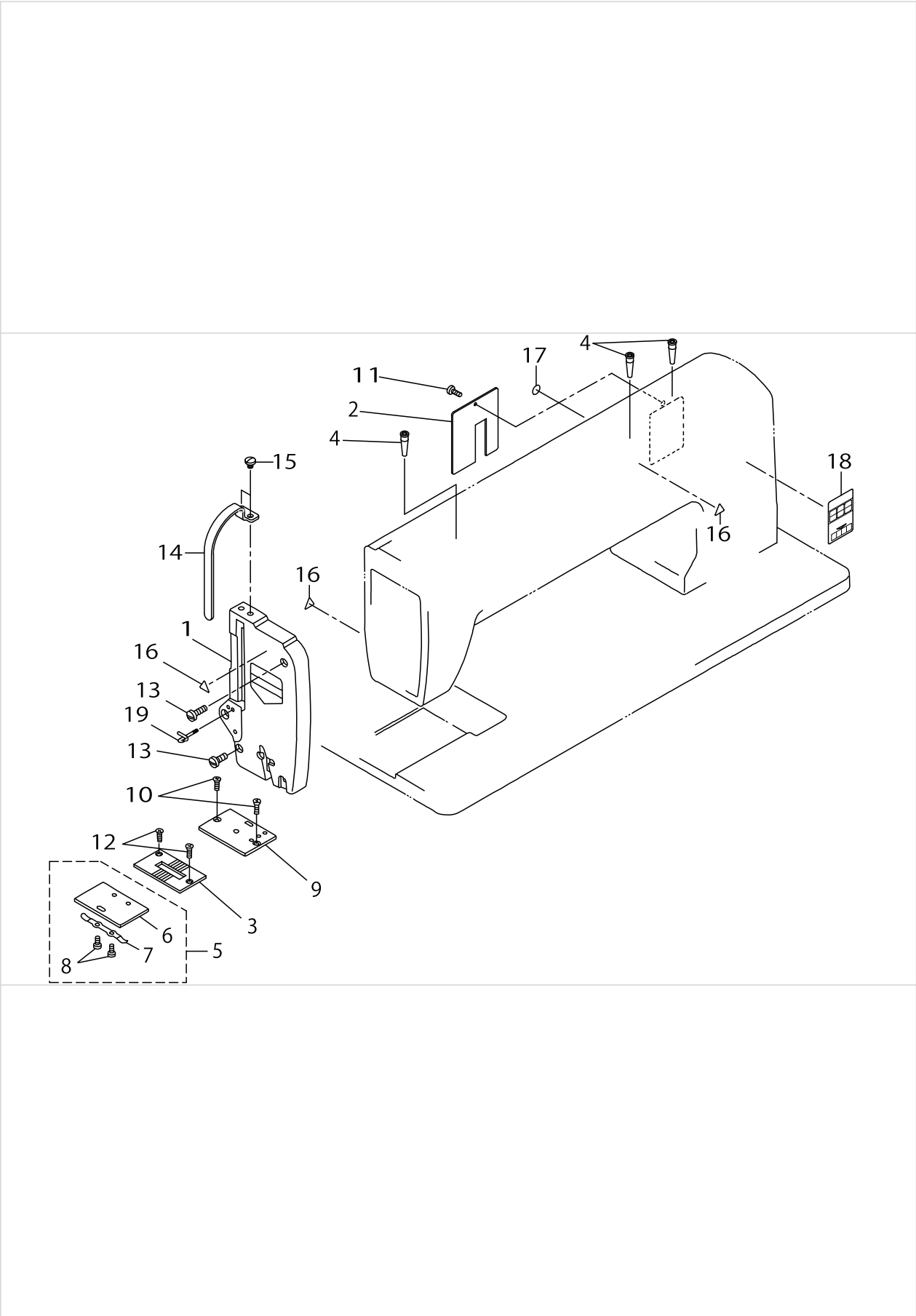
PARTS LIST

Published:05/12/2017

CONTENTS

FRAME & MISCELLANEOUS COVER COMPONENTS	1
MAIN SHAFT COMPONENTS	3
NEEDLE BAR & UPPER FEED MECHANISM COMPONENTS	5
PRESSURE COMPONENTS.....	9
FEED MECHANISM COMPONENTS.....	11
FEED REGULATOR MECHANISM COMPONENTS.....	15
HOOK DRIVING SHAFT COMPONENTS	17
TENSION POST COMPONENTS.....	19
THREAD WINDER & THREAD GUIDE COMPONENTS	21
KNEE LIFTER & OIL PAN COMPONENTS.....	23
BELT COVER COMPONENTS.....	25
THREAD STAND COMPONENTS.....	27
TABLE COMPONENTS	29
ACCESSORIES PARTS COMPONENTS (1).....	31
ACCESSORIES PARTS COMPONENTS (2).....	33
LIST FOR INFORMATION OF CHANGE.....	35
HOW TO MAKE USE OF THIS PARTS LIST	36

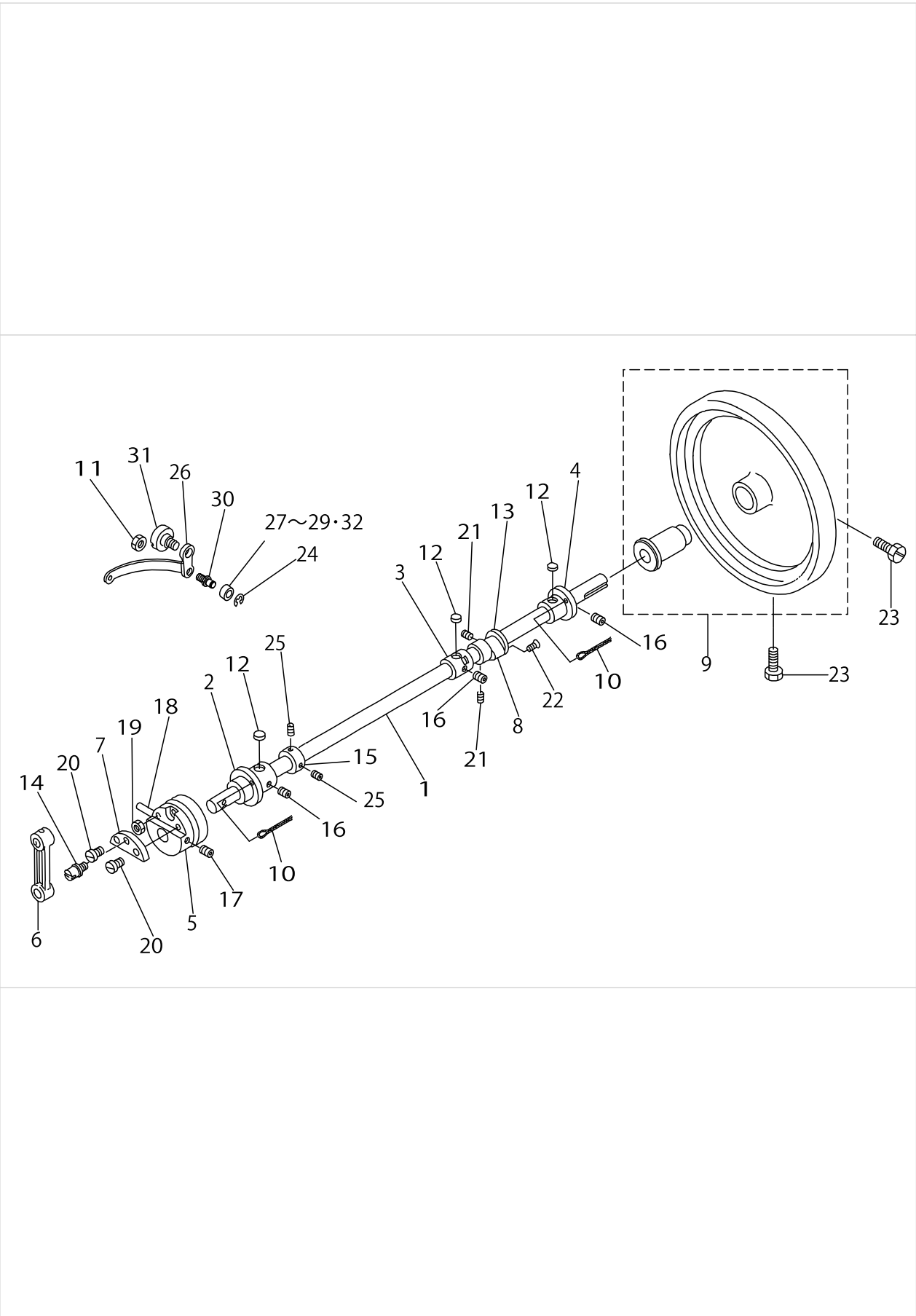
FRAME & MISCELLANEOUS COVER COMPONENTS



FRAME & MISCELLANEOUS COVER COMPONENTS

No.	Supply Code	Parts No.	Replacement	Parts name	Remarks	Choice	Step	Level	Cons	Qty	Rep. QTY
1		21096359		FACE PLATE ASM.						1	
2		21096409		SIDE COVER						1	
3		21090709		THROAT PLATE						1	
4		A3243997C00		REARMETAL OIL PIPE						3	
5		21044151		SLIDE PLATE ASM.A						1	
6	R	21044102	21044151	SLIDE PLATE A				*		1	1.00
7		21044201		SPRING				*		2	
8		SS7060310SP		SCREW 3/32-56 L=3				*		2	
9		21044300		SLIDE PLATE B						1	
10		SS2110915SP		SCREW 11/64-40 L=8.5						2	
11		SS7090710SP		SCREW 9/64-40 L=6.8						1	
12		SS2110915SP		SCREW 11/64-40 L=8.5						2	
13		SS6151920SP		SCREW 15/64-28 L=19.0						2	
14		21097605		TAKE-UP COVER (JE)						1	
15		SS7150740SP		SCREW 15/64-28 L=7						2	
16		CM300200001		ATTENTION SEAL						3	
17		22901805		GROUND MARK						1	
18		CM301200002		SAFETY LABEL_L						1	
19		21059514		THREAD RACK						1	

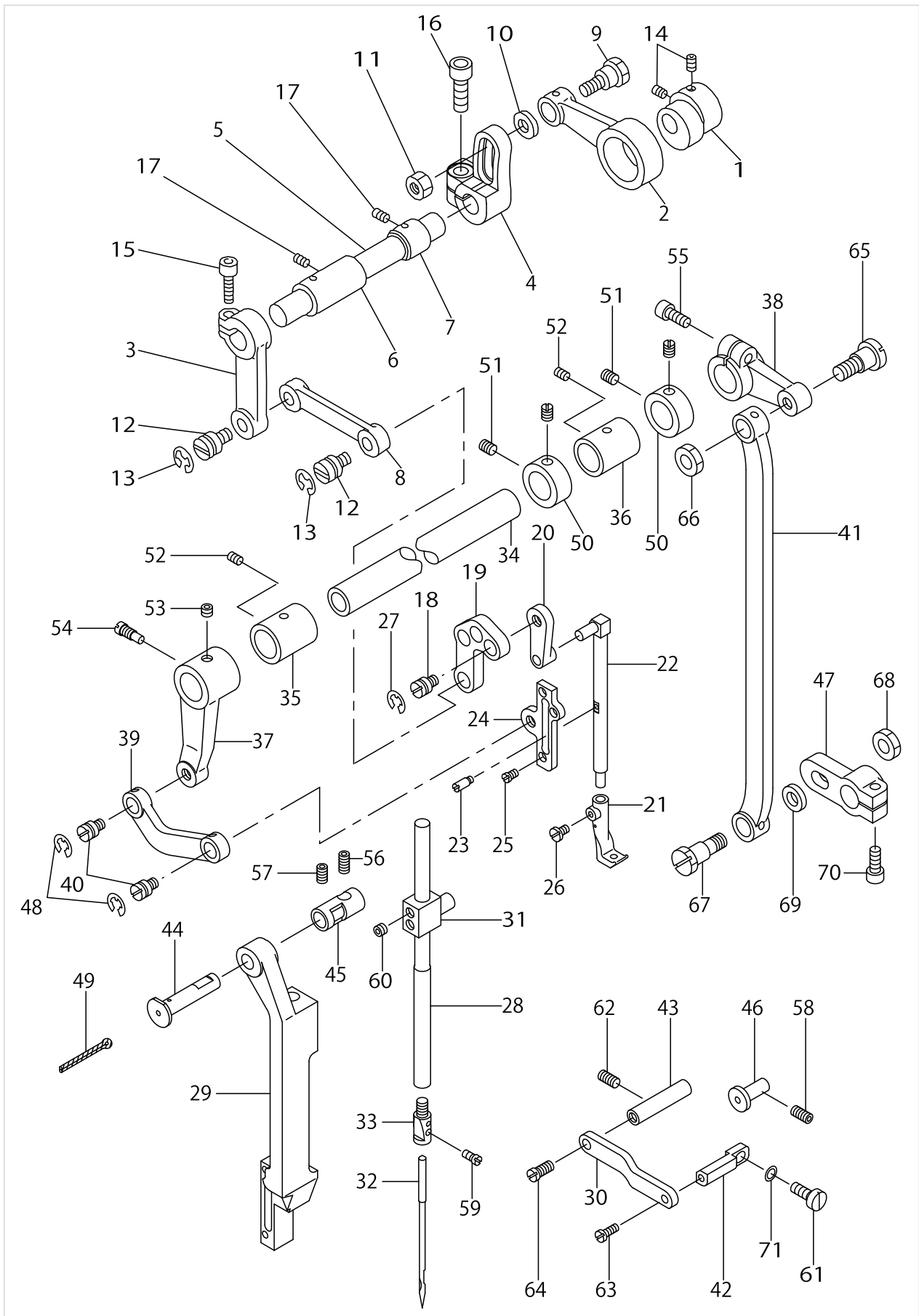
MAIN SHAFT COMPONENTS



MAIN SHAFT COMPONENTS

No.	Supply Code	Parts No.	Replacement	Parts name	Remarks	Choice	Step	Level	Cons	Qty	Rep. QTY
1		21044508		MAIN SHAFT						1	
2	D	21044607		MAIN SHAFT BUSHING, FRONT						1	
3		21044706		MAIN SHAFT BUSHING, CENTER						1	
4		21044805		MAIN SHAFT BUSHING, REAR						1	
5		21044904		THREAD TAKE-UP CAM						1	
6		21091707		CRANK ROD						1	
7		21045109		CRANK PLATE						1	
8		21045208		FEED ECCENTRIC CAM						1	
9		21067855		HAND WHEEL COMPL.						1	
10		CQ202000000		OIL WICK						.16	
11		NS6680410SP		NUT 9/32-28						1	
12		21045406		FELT						3	
13		21045505		SIDE PLATE						1	
14		21045604		NEEDLE BAR CRANK SHAFT						1	
15		21045703		THRUST COLLAR						1	
16		SS8151550SP		SCREW 15/64-28 L=15						3	
17		SS8660612TP		SCREW 1/4-40 L=6						2	
18		PT0405600SH		TAPER PIN						1	
19		NS6680410SP		NUT 9/32-28						1	
20		SS1681140SP		SCREW 9/32-28 L=11						2	
21	R	SS8150710SP	SS8150710TP	SCREW 15/64-28 L=7						2	1.00
22		SS2110915SP		SCREW 11/64-40 L=8.5						2	
23		SS9702110SP		SCREW						2	
24		RE0400000K0		E-RING 4						1	
25		SS8660610TP		SCREW 1/4-40 L=6						2	
26		21091806		THREAD TAKE-UP LEVER						1	
27		21046008		BALANCE ROLLER.						1	
28		21046107		ROLLER	SELECTIVE PARTS					1	
29		21046206		ROLLER	SELECTIVE PARTS					1	
30		21046313		ROLLER STUD						1	
31		SD1070901TP		HINGE SCREW						1	
32		40027078		ROLLER	SELECTIVE PARTS					1	

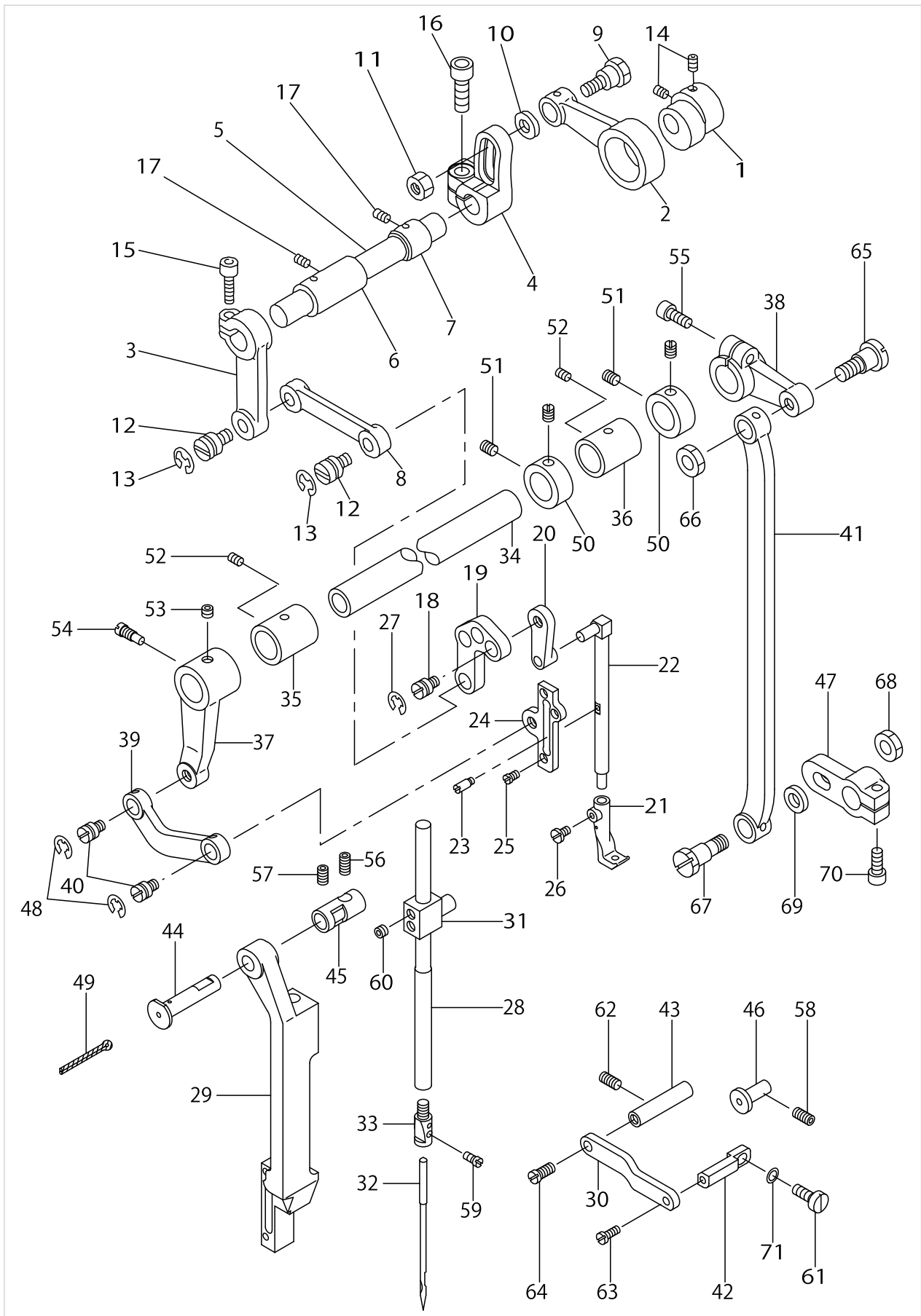
NEEDLE BAR & UPPER FEED MECHANISM COMPONENTS



NEEDLE BAR & UPPER FEED MECHANISM COMPONENTS

No.	Supply Code	Parts No.	Replacement	Parts name	Remarks	Choice	Step	Level	Cons	Qty	Rep. QTY
1		21049200		DRIVING CAM						1	
2		21049309		CONNECTING ROD						1	
3		21049408		DRIVING SHAFT ARM, FRONT						1	
4		21049515		DRIVING SHAFT ARM, REAR						1	
5		21049606		FEEDROCKERSHAFT						1	
6		21049705		BUSHING, FRONT						1	
7		21049804		BUSHING,REAR						1	
8		21049903		ROD						1	
9		21050000		HINGE SCREW						1	
10		21050109		WASHER						1	
11		NS6720440SP		NUT 11/32-28						1	
12		21048707		HINGE SCREW						2	
13		RE0800000K0		E-SHAPED SNAP RING (8MM)						2	
14		SS8660610TP		SCREW 1/4-40 L=6						2	
15	R	SM6061552TP	SM6061552SP	SCREW M6 L=15						1	1.00
16		SM6081802TP		SCREW						1	
17	R	SS8150710SP	SS8150710TP	SCREW 15/64-28 L=7						2	1.00
18		21048707		HINGE SCREW						2	
19		21093901		L-LINK						1	
20		21094008		UPPER FEED FRAME DRIVING LINK						1	
21		21094107		WALKING FOOT						1	
22		21094701		UPPER FEED BAR						1	
23		21094800		UPPER FEED BAR PIN						1	
24		21094909		UPPER FEED BAR GUIDE						1	
25		SS7110540SP		SCREW 11/64-40 L=5						3	
26		SS7110840SP		SCREW 11/64-40 L=7.8						1	
27		RE0800000K0		E-SHAPED SNAP RING (8MM)						2	
28		21092002		NEEDLE BAR						1	
29		21092101		FRAMEDRIVINGBASE						1	
30		21092200		PRESSURE PLATE						1	
31		21092309		NEEDLE BAR CONNECTION						1	
32		MC532002300		NEEDLE (794 NM=230)						1	
33		21092408		NEEDLE STOPPER						1	
34		21092507		DRIVING SHAFT						1	
35	D	21092606		DRIVING SHAFT FRONT METAL						1	
36	D	21092705		DRIVING SHAFT REAR METAL						1	
37		21092804		DRIVING SHAFT FRONT ARM						1	
38		21092903		DRIVING SHAFT REAR ARM						1	
39		21093000		FRAME DRIVING LINK						1	
40		21048707		HINGE SCREW						2	
41	D	21093109		NEEDLE BAR FRAME DRIVING ROD						1	
42		21093208		PRESSURE PLATE						1	
43		21093307		PRESSURE SHAFT						1	
44		21093406		FRAME DRIVING BASE SHAFT						1	
45		21093505		FRAME DRIVING BASE SHAFT METAL						1	

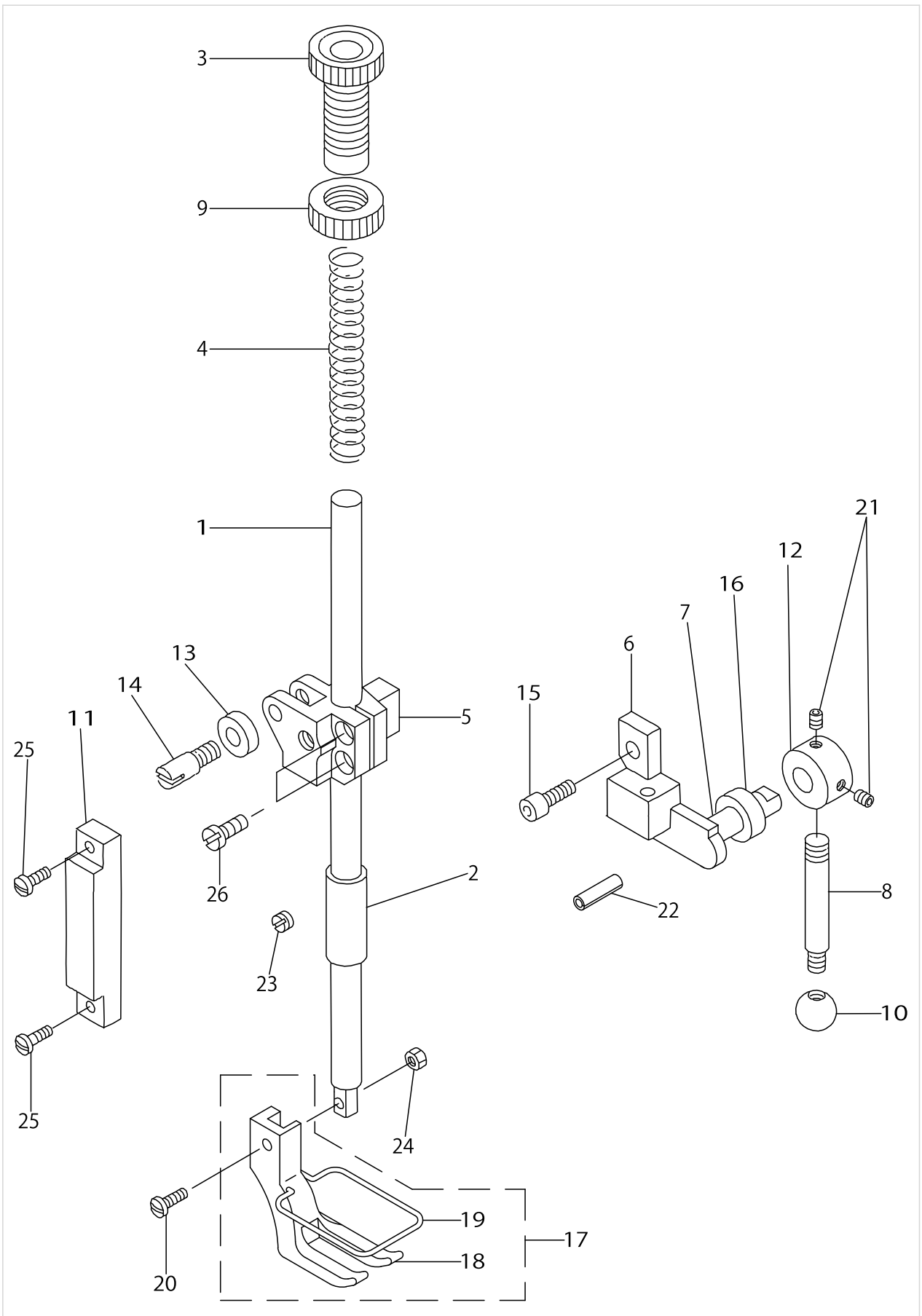
NEEDLE BAR & UPPER FEED MECHANISM COMPONENTS



NEEDLE BAR & UPPER FEED MECHANISM COMPONENTS

No.	Supply Code	Parts No.	Replacement	Parts name	Remarks	Choice	Step	Level	Cons	Qty	Rep. QTY
46	D	21093604		FRAME DRIVING BASE GUIDE						1	
47		21093703		NEEDLE ROD ROCKING ARM						1	
48		RE0800000K0		E-SHAPED SNAP RING (8MM)						2	
49		CQ202000000		OIL WICK						1	
50		CS1801211SH		THRUST COLLAR D=18 W=12						2	
51		SS8660810TP		SCREW 1/4-40 L=8						4	
52	R	SS8150710SP	SS8150710TP	SCREW 15/64-28 L=7						2	1.00
53		SS8660512TP		SCREW 1/4-40 L=5						1	
54		SS7151550SP		SCREW 15/64-28 L=14.5						1	
55	R	SM6061552TP	SM6061552SP	SCREW M6 L=15						1	1.00
56		SM8061212TP		SCREW M6X12						1	
57		D2446141E00		METAL SCREW						1	
58		SM8061212TP		SCREW M6X12						1	
59		SS6110710TP		SCREW 11/64-40 L= 6.5						1	
60		SS8660512TP		SCREW 1/4-40 L=5						2	
61		SM6061650TP		SCREW						1	
62		SM8061212TP		SCREW M6X12						1	
63	R	SS7111120SP	SS7111120TP	SCREW 11/64-40 L=10.5						1	1.00
64		SS7151120SP		SCREW 15/64-28 L=11						1	
65		SD1201201TP		HINGE SCREW						1	
66		NS6680410SP		NUT 9/32-28						1	
67		21050000		HINGE SCREW						1	
68		NS6720440SP		NUT 11/32-28						1	
69		21050109		WASHER						1	
70	R	SM6061552TP	SM6061552SP	SCREW M6 L=15						1	1.00
71		WP0621026SP		WASHER 6.2X9.5X1						1	

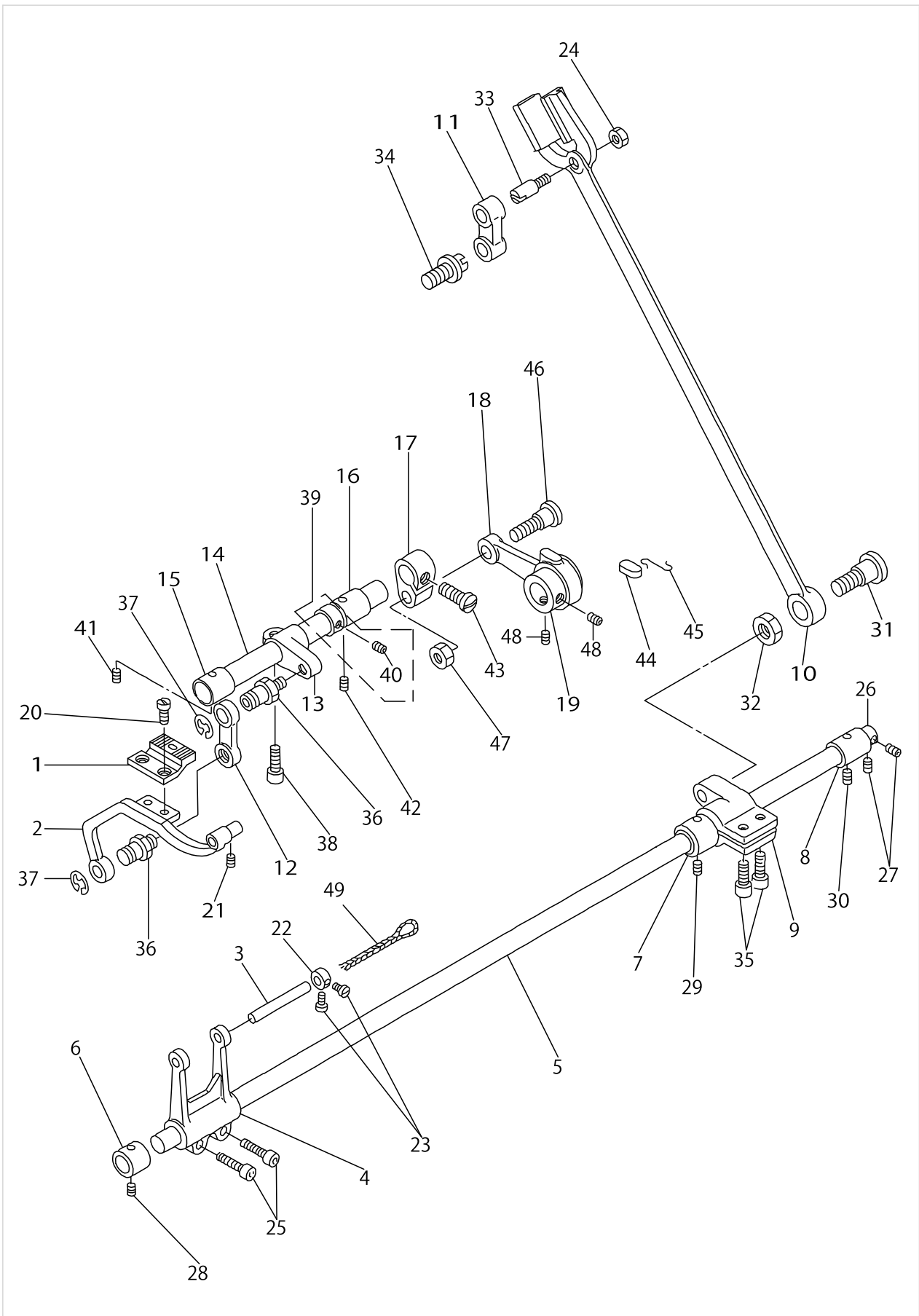
PRESSURE COMPONENTS



PRESSURE COMPONENTS

No.	Supply Code	Parts No.	Replacement	Parts name	Remarks	Choice	Step	Level	Cons	Qty	Rep. QTY
1		21050505		PRESSER BAR						1	
2		21050604		PRESSER BAR BUSHING						1	
3		21050703		SCREW						1	
4		21050802		SPRING						1	
5		21095005		PRESSER BAR GUIDE BRACKET						1	
6		21051008		HAND LIFTER LINK						1	
7		21051107		HAND LIFTER CAM						1	
8		21051206		HAND LIFTER LEVER						1	
9		21051305		NUT						1	
10		21051404		GRIP						1	
11		21051503		GUIDE PLATE						1	
12		21051602		THRUST COLLAR						1	
13		21051701		ROLLER FOLLOWER						1	
14		21051800		GUIDE NUT						1	
15		SS6660622TP		SCREW						1	
16		B1662562000		COLLAR						1	
17		21095153		PRESSER FOOT ASM.						1	
18	R	21095104	21095153	PRESSER FOOT				*		1	1.00
19		21097506		GUARD				*		1	
20		SS7091410SP		SCREW 9/64-40 L=13.5						1	
21		SS8660942TP		SCREW 1/4-40 L= 8.5						2	
22		PS0300201KP		SPRING PIN 3.0X20						1	
23	R	SS8150410SP	SS8150410TP	SCREW 15/64-28 L=4						1	1.00
24		NS6090310SP		NUT 9/64-40						1	
25		SS7621040SP		SCREW 3/16-32 L=9.5						2	
26		SS6121210SP		SCREW 3/16-28 L=12						2	

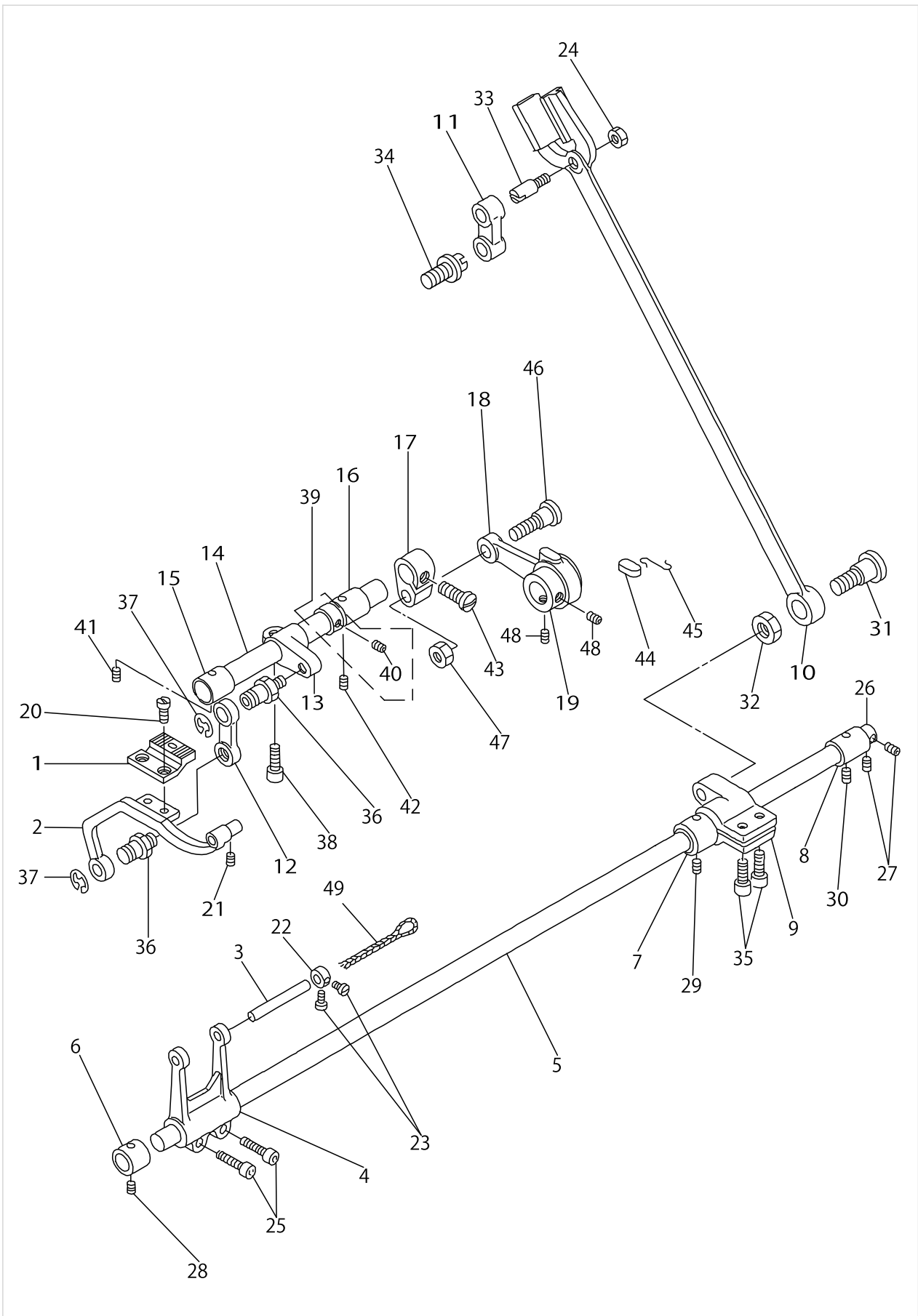
FEED MECHANISM COMPONENTS



FEED MECHANISM COMPONENTS

No.	Supply Code	Parts No.	Replacement	Parts name	Remarks	Choice	Step	Level	Cons	Qty	Rep. QTY
1		21095609		FEED DOG						1	
2		21052006		FEED BAR						1	
3		21052105		FEED BAR SHAFT						1	
4		21052204		FEED BAR ARM.						1	
5		21052303		FEEDROCKERSHAFT						1	
6		21052402		FEED ROCKER SHAFT BUSHINGFRONT						1	
7		21052501		FEED ROCKER SHAFT BUSHINGCETER						1	
8		21052600		FEED ROCKER SHAFT BUSHING,REAR						1	
9		21052709		FEED ROCKER SHAFT ARM,REAR						1	
10		21052808		ROD						1	
11		B1619241H00		FEED CONNECTING LINK						1	
12		21053004		FEED BAR LINK						1	
13		21053103		DRIVING SHAFT ARM,FRONT						1	
14		21053202		DRIVING SHAFT						1	
15		21052600		FEED ROCKER SHAFT BUSHING,REAR						1	
16		21052501		FEED ROCKER SHAFT BUSHINGCETER						1	
17		21053509		DRIVING SHAFT ARM,REAR						1	
18		21053608		CAM ROD						1	
19		21053707		FEED DRIVING CAM						1	
20		SS4080620TP		SCREW 1/8-44 L=6						2	
21		SS8620610TP		SCREW 3/16-32 L=6						1	
22		CS0790721TH		THRUST COLLAR D=7.94 W=7						1	
23		SS7090620TP		SCREW 9/64-40 L=6.1						2	
24		NS6680410SP		NUT 9/32-28						1	
25	R	SM6061552TP	SM6061552SP	SCREW M6 L=15						2	1.00
26		CS1471012SH		THRUST COLLAR D=14.72 W=10						1	
27		SS8660610TP		SCREW 1/4-40 L=6						2	
28	R	SS8151150SP	SS8151150TP	SCREW 15/64-28 L=10.5						1	1.00
29	R	SS8150710SP	SS8150710TP	SCREW 15/64-28 L=7						1	1.00
30	R	SS8151150SP	SS8151150TP	SCREW 15/64-28 L=10.5						1	1.00
31		SD1201201TP		HINGE SCREW						1	
32		NS6680410SP		NUT 9/32-28						1	
33		B1617241H00		HINGE SCREW, A						1	
34		B1618241H00		HINGE SCREW, B						1	
35	R	SM6061552TP	SM6061552SP	SCREW M6 L=15						2	1.00
36		B1424158000		HINGE SCREW						2	
37		RE0700000K0		E-RING 7						2	
38	R	SM6061552TP	SM6061552SP	SCREW M6 L=15						1	1.00
39		22904155		MAIN SHAFT THRUST COLLAR ASM.						1	
40		SS8660610TP		SCREW 1/4-40 L=6				*		2	
41	R	SS8151150SP	SS8151150TP	SCREW 15/64-28 L=10.5						1	1.00
42	R	SS8150710SP	SS8150710TP	SCREW 15/64-28 L=7						1	1.00
43		SS6151920SP		SCREW 15/64-28 L=19.0						1	
44		B1702012000		OIL FELT						1	

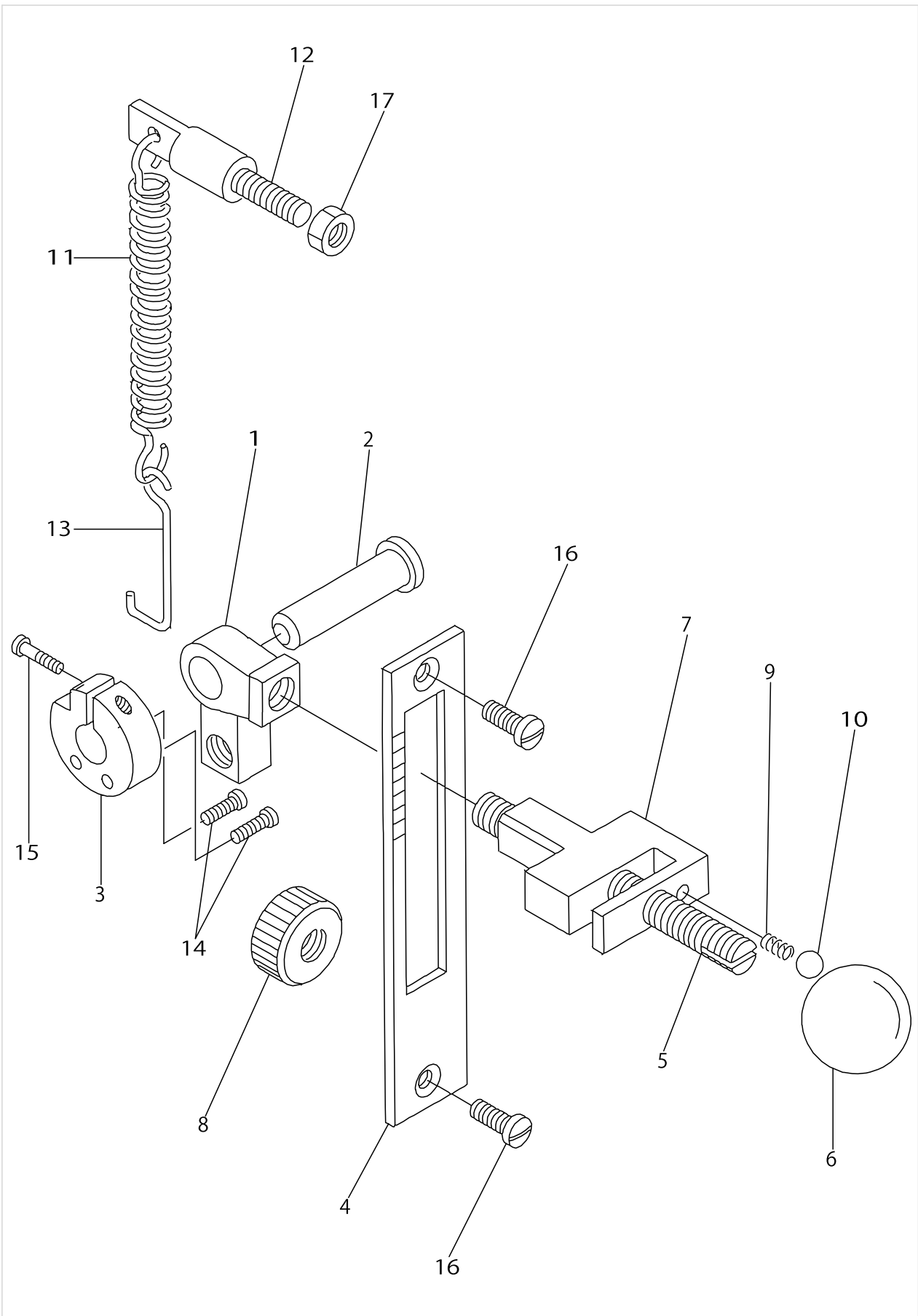
FEED MECHANISM COMPONENTS



FEED MECHANISM COMPONENTS

No.	Supply Code	Parts No.	Replacement	Parts name	Remarks	Choice	Step	Level	Cons	Qty	Rep. QTY
45		B1213012000		FELT RETAINER						1	
46		SD1000951SP		HINGE SCREW D=10 H=9.5						1	
47		NS6680410SP		NUT 9/32-28						1	
48		SS8660512TP		SCREW 1/4-40 L=5						2	
49		CQ202000000		OIL WICK						.13	

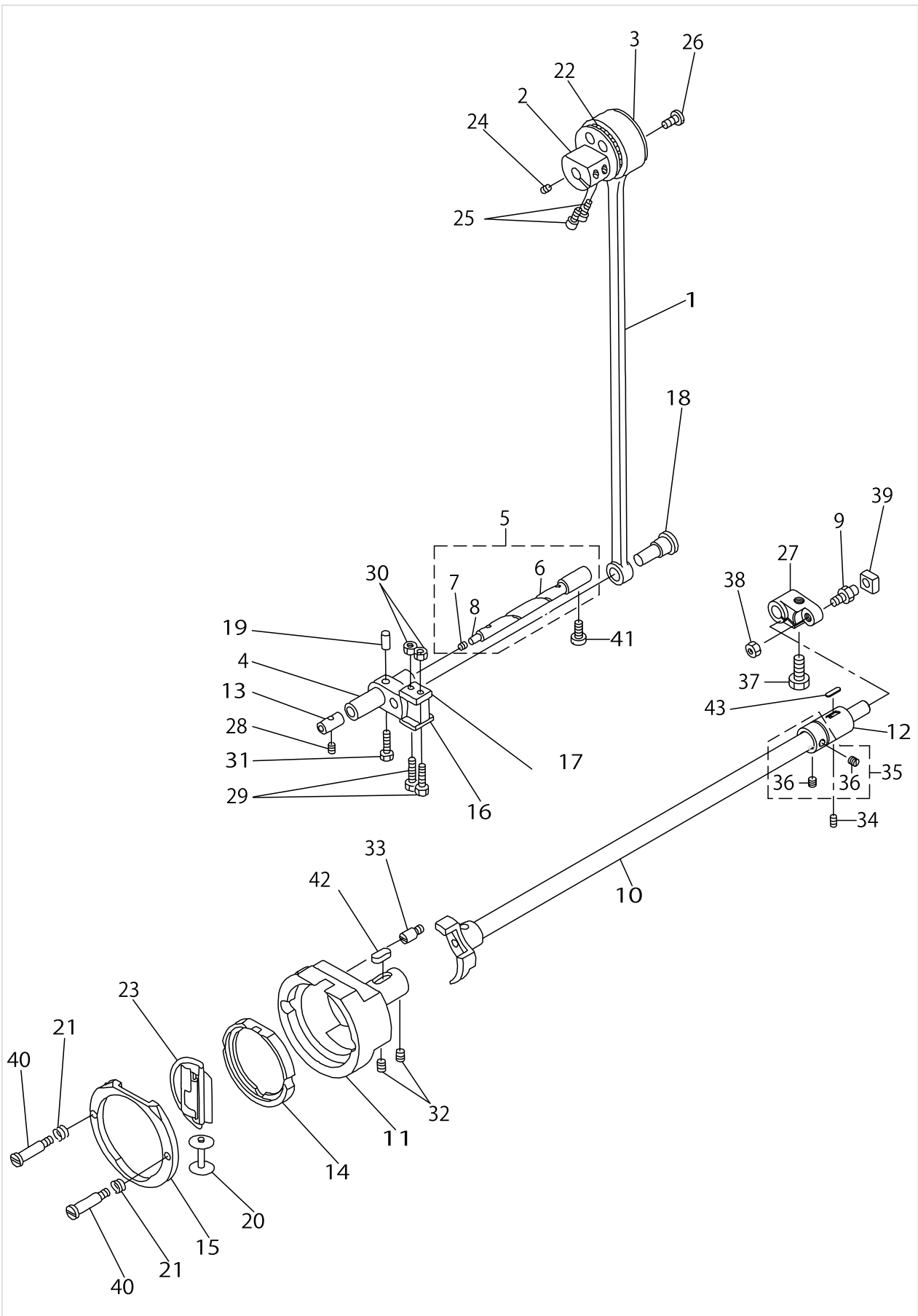
FEED REGULATOR MECHANISM COMPONENTS



FEED REGULATOR MECHANISM COMPONENTS

No.	Supply Code	Parts No.	Replacement	Parts name	Remarks	Choice	Step	Level	Cons	Qty	Rep. QTY
1		21054002		FEED REGULATOR						1	
2		21054101		FEED REGULATOR SHAFT						1	
3		21054200		STOPPER						1	
4		21054309		SIDE COVER						1	
5		21054408		LEVER SHAFT						1	
6		21054507		LEVER GRIP						1	
7		21054606		LEVER						1	
8		21054705		NUT						1	
9		21054804		SPRING						1	
10		21054903		BALL						1	
11		21055009		SPRING						1	
12		21055108		SPRING SUSPENTION SHAFT						1	
13		21055207		SPRINGSUSPENTION						1	
14		SS6121610TP		SCREW 3/16-28 L=15.5						2	
15		SS6621840SP		SCREW 3/16-32 L=18.0						1	
16		SS7150740SP		SCREW 15/64-28 L=7						2	
17		NS6680320SP		NUT 9/32-28						1	

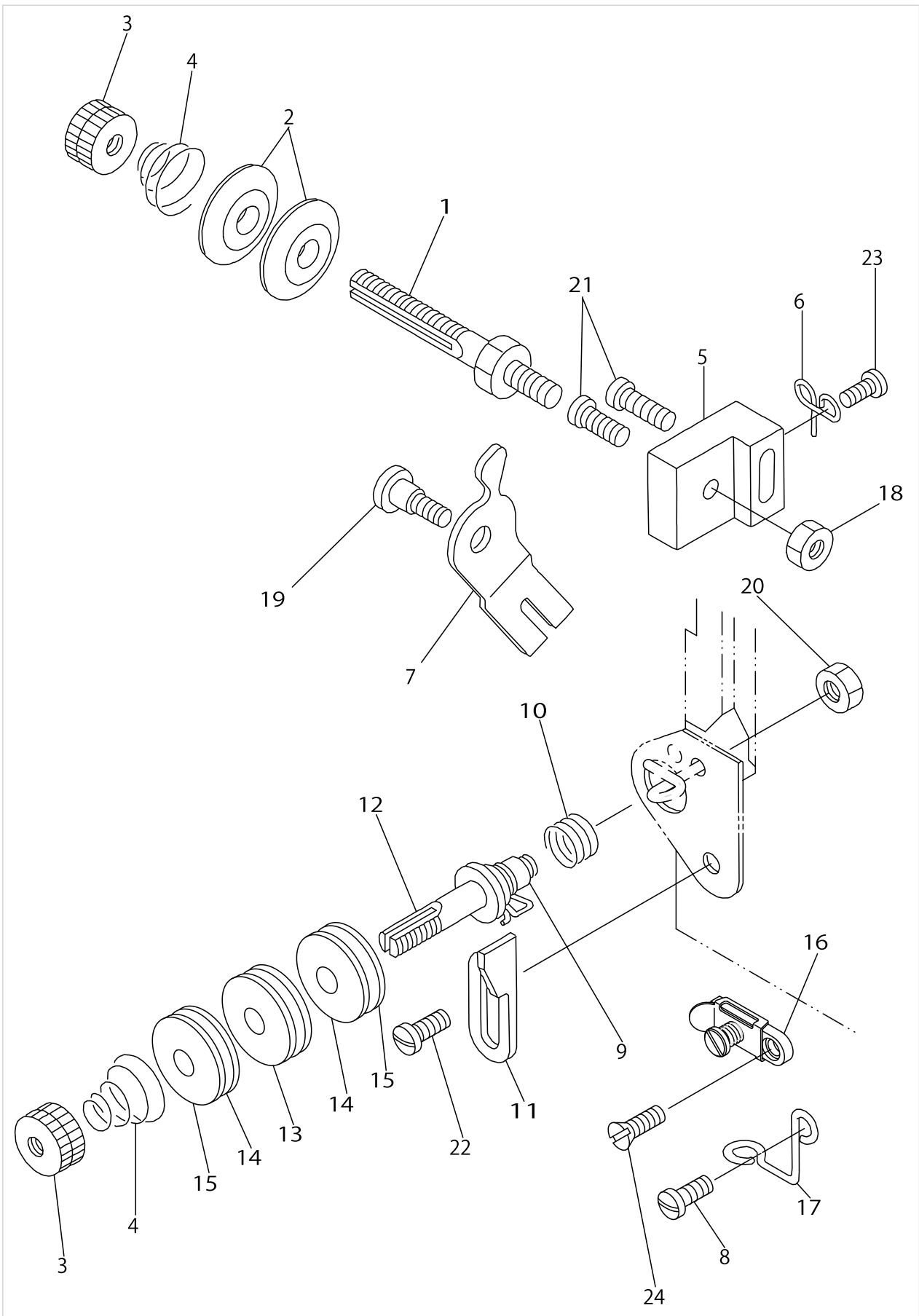
HOOK DRIVING SHAFT COMPONENTS



HOOK DRIVING SHAFT COMPONENTS

No.	Supply Code	Parts No.	Replacement	Parts name	Remarks	Choice	Step	Level	Cons	Qty	Rep. QTY
1		21055504		CONNECTING ROD						1	
2		21055603		CON-ROD ECCENTRIC CAM						1	
3		21055702		CAM SLIDE PLATE						1	
4		21055801		OSCILATING ROCK SHAFT						1	
5		21055959		OSCILATING ROCK SHAFT						1	
6	D	21055900		HINGE PIN				*		1	
7		TA0290301M0		RUBBER PLUG				*		1	
8		CQ303000000		OIL WICK				*		0.04	
9		21056312		ROLLER STUD						1	
10		40178619		HOOK_DRIVING_SHAFT_ASM						1	
11		21056502		DRIVING SHAFT BUSHING,FRONT						1	
12		21056601		DRIVING SHAFT BUSHING,REAR						1	
13		21056007		ROCK SHAFT BUSHING,FRONT						1	
14		21056809		SHUTTLEFACEBODY						1	
15		21056908		HOOK COVER						1	
16		21057005		SLIDE PLATE A						1	
17		21057104		SLIDE PLATE B						1	
18		21057203		CON-ROD PIN						1	
19		21057302		CON-RODPINWEDGE						1	
20		21057401		BOBBIN						1	
21		21057500		HOOK COUNTER SPRING						2	
22		21057609		CAGE & ROLLER						1	
23		21041850		HOOK ASM.						1	
24		SS8151550SP		SCREW15/64-28L=15						1	
25		SM6081802TP		SCREW						2	
26		SS7110830SP		SCREW 11/64-40 L= 7.5						2	
27		21154216		OSCILLATOR						1	
28	R	SS8151150SP	SS8151150TP	SCREW 15/64-28 L=10.5						1	1.00
29		21057708		SCREW						2	
30		NS6110420SP		NUT 11/64-40						2	
31		SS7621510SP		SCREW						1	
32		SS8151550SP		SCREW15/64-28L=15						2	
33		21057807		SCREW						1	
34	R	SS8150710SP	SS8150710TP	SCREW 15/64-28 L=7						1	1.00
35		22904155		MAIN SHAFT THRU-ST COLLAR ASM.						1	
36		SS8660610TP		SCREW 1/4-40 L=6				*		2	
37		SM9082003SC		SCREW M8 L=20						1	
38		NS6680320SP		NUT 9/32-28						1	
39		21056205		CRANK SLIDE BLOCK						1	
40		21057906		SCREW						2	
41		SS6151440SP		SCREW15/64-28L=14						1	
42		B1702012000		OIL FELT						1	
43		B1806038000		OIL FELT						1	

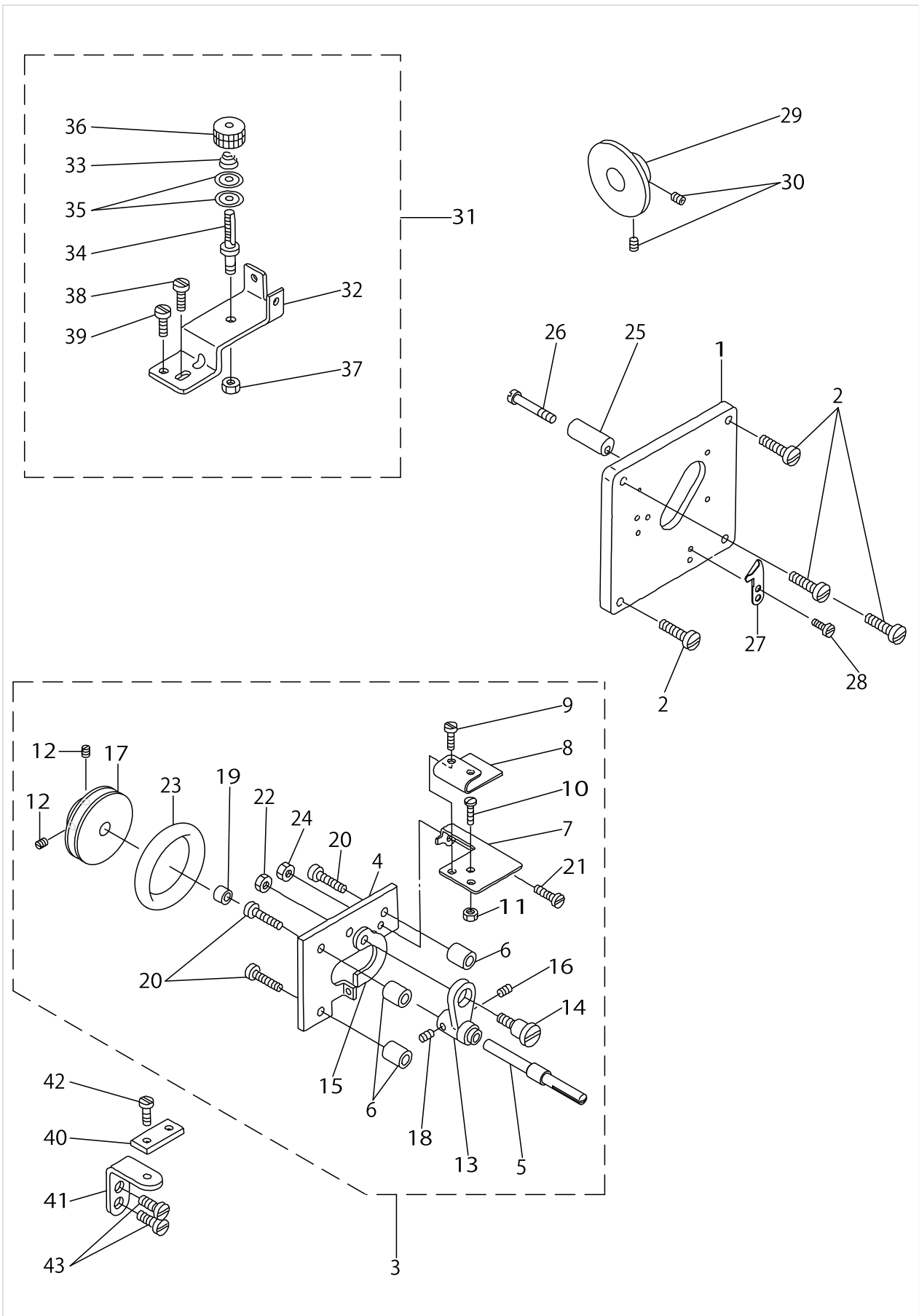
TENSION POST COMPONENTS



TENSION POST COMPONENTS

No.	Supply Code	Parts No.	Replacement	Parts name	Remarks	Choice	Step	Level	Cons	Qty	Rep. QTY
1		21059001		THREAD TENSION POST						1	
2	R	B3126012000	22921506	THREAD TENSION DISK						2	1.00
3	R	B3125012000	22928808	THREAD TENSION NUT						2	1.00
4		21059100		THREAD TENSION SPRING						2	
5		21059209		THREAD TENSION POST BRACKET						1	
6		21059308		THREAD TENSION GUIDE						1	
7		21059407		THREAD RELEASING PLATE						1	
8		SS7090710SP		SCREW 9/64-40 L=6.8						1	
9		21059605		SPRING A						1	
10		21059704		THREAD TAKE-UP SPRING GUIDE						1	
11		21059803		SPRING SUPPORT PLATE						1	
12		21059902		THREAD TENSION WHEEL POST						1	
13		21060009		THREAD TENSION WHEEL						1	
14		21060108		WHEEL FELT						2	
15		21060207		FELT SUPPORT PLATE						2	
16		21161153		ARM THREAD GUIDE ASM., LOWER						1	
17		B1131562000		FRAME THREAD GUIDE, LOWER						1	
18		NS6680320SP		NUT 9/32-28						1	
19		SD0600321SP		HINGE SCREW D=6 H=3.2						1	
20		NS6150310SP		NUT 15/64-28						1	
21	R	SS7111120SP	SS7111120TP	SCREW 11/64-40 L=10.5						2	1.00
22		SS7090610SP		SCREW 9/64-40 L=6						1	
23		SS7090710SP		SCREW 9/64-40 L=6.8						1	
24		SS1090410SL		SCREW 9/64-40 L=4						1	

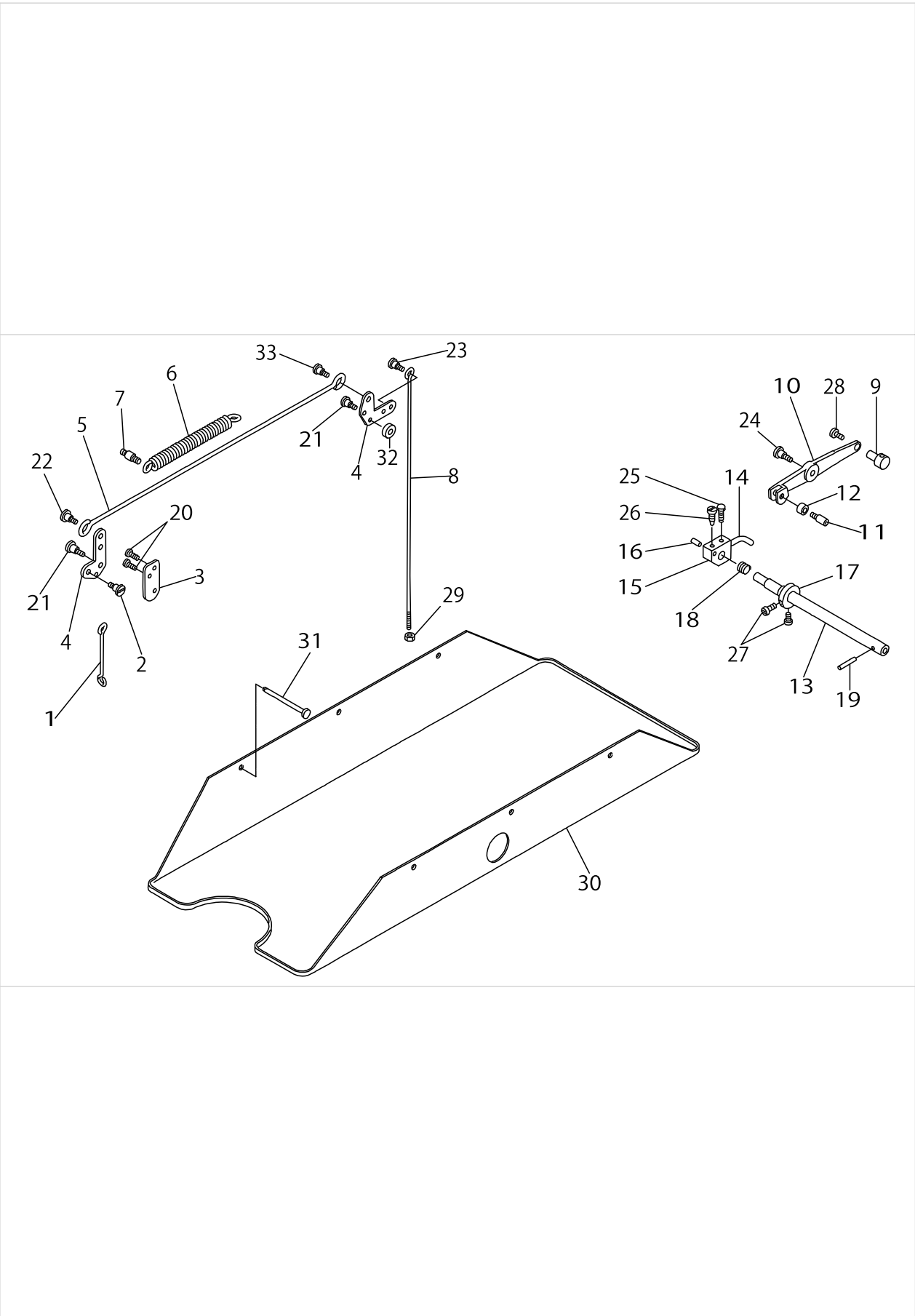
THREAD WINDER & THREAD GUIDE COMPONENTS



THREAD WINDER & THREAD GUIDE COMPONENTS

No.	Supply Code	Parts No.	Replacement	Parts name	Remarks	Choice	Step	Level	Cons	Qty	Rep. QTY
1		21067905		THREAD WINDOW PLATE						1	
2	R	SS7111120SP	SS7111120TP	SCREW 11/64-40 L=10.5						4	1.00
3		21061056		THREAD WINDER ASM.						1	
4	D	B3201158000		THREAD WINDER BASE				*		1	
5		21061015		BOBBIN WINDER SPINDLE				*		1	
6		B3203158000		WASHER				*		3	
7		21061106		BOBBIN PRESSER				*		1	
8		21061205		BOBBIN PRESSURE SPRING				*		1	
9		SS5060410SP		SCREW 3/32-56 L=3.5				*		2	
10		SS7081310SP		SCREW 1/8-44 L=12.5				*		1	
11		NS6080210SP		NUT 1/8-44				*		1	
12	R	SS8110510SP	SS8110520TP	SCREW 11/64-40 L=5				*		2	1.00
13		B3204232000		BOBBIN WINDER FRAME				*		1	
14		B3205232000		HINGE SCREW,				*		1	
15		B3206232000		BOBBIN WINDER TE- NSION BRACKET				*		1	
16	R	21061304	B3208232000	SPRING				*		1	1.00
17		B3211210000		BOBBIN WINDER WHEEL				*		1	
18		A3222958000		BOBBIN WINDER SPRING, LONG				*		1	
19		B3207158000A		THREAD WIDING SHAFT COLLAR				*		1	
20	R	SS7111810SP	SS7111810TP	SCREW 11/64-40 L=18				*		3	1.00
21		SD0720193SP		HINGE SCREW D= 7.24 H= 1.9				*		1	
22		NS6110310SP		NUT 11/64-40				*		1	
23		B3212210000		FRICTION WHEEL				*		1	
24		NS6110310SP		NUT 11/64-40				*		1	
25		21061403		STOPPER						1	
26		SS7112810SP		SCREW 11/64-40 L=28						1	
27		10502300		THREAD CUTTER						1	
28		SS6080410SP		SCREW 1/8-44 L=4						2	
29		21061601		FRICTION WHEEL						1	
30	R	SS8150710SP	SS8150710TP	SCREW 15/64-28 L=7						2	1.00
31		21061759		THREAD WINDER G- UIDE BASE ASM.						1	
32	R	21061700	21061759	THREAD WINDER GUIDE BASE				*		1	1.00
33	R	B3129012B00	22929004	THREAD TENSION SPRING				*		1	1.00
34		21059001		THREAD TENSION POST				*		1	
35	R	B3126012000	22921506	THREAD TENSION DISK				*		2	1.00
36	R	B3125012000	22928808	THREAD TENSION NUT				*		1	1.00
37		NS6680320SP		NUT 9/32-28				*		1	
38	R	SS7110910SP	SS7110910TP	SCREW 11/64-40 L=8.5				*		1	1.00
39	R	SS6080710SP	SS4080620TP	SCREW 1/8-44 L= 6.5				*		1	1.00
40		B2510158000		THREAD WINDER THREAD GUIDE						1	
41		21061908		GUIDE BRACKET						1	
42		SS7090710SP		SCREW 9/64-40 L= 6.8						1	
43		SS7151120SP		SCREW 15/64-28 L=11						2	

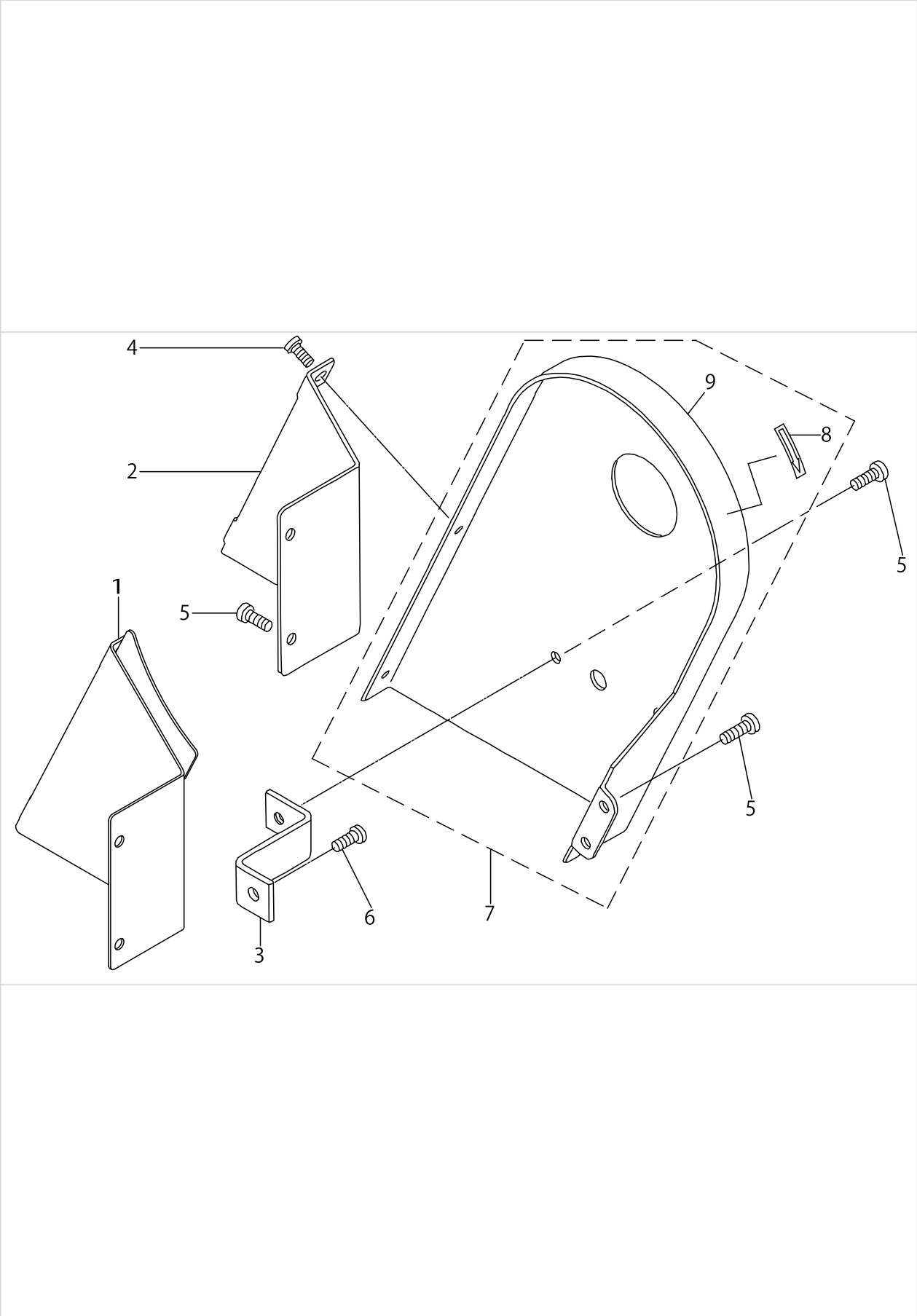
KNEE LIFTER & OIL PAN COMPONENTS



KNEE LIFTER & OIL PAN COMPONENTS

No.	Supply Code	Parts No.	Replacement	Parts name	Remarks	Choice	Step	Level	Cons	Qty	Rep. QTY
1		21062500		PRESSER BAR LIFTING BAR						1	
2		21062609		HINGE SCREW						1	
3		21062708		LINK BASE						1	
4		21062807		PRESSER BAR LIFTING LINK						2	
5		21062906		KNEE LIFTER SIDE CONNECTINGBAR						1	
6		B1513280000		TENSION SPRING						1	
7		B3413227000		SPRINGSUSPENSION						1	
8		21063003		CONNECTING BAR						1	
9		21063102		CONNECTING BAR JOINT						1	
10		21063201		KNEE LIFTER LEVER						1	
11		21063300		ROLLER STUD						1	
12	D	21063409		ROLLER						1	
13		21063508		KNEE PRESS SIDE SHAFT						1	
14		21063607		KNEE LIFTER BAR						1	
15		21063706		KNEE LIFTER BAR BROCK						1	
16		21063904		PIN						1	
17		21063805		SPRING PRESSER REGULATORYCOLLA						1	
18		B3429521000		KNEE PRESS SPRING						1	
19		B3432521000		PIN						1	
20		SS7150740SP		SCREW 15/64-28 L=7						2	
21		SD0790431SP		HINGE SCREW D= 7.94 H= 4.3						2	
22		SD0790431SP		HINGE SCREW D= 7.94 H= 4.3						1	
23		SD1000701TP		HINGE SCREW D=10 H=7						1	
24		SD1111351SP		HINGE SCREW D=11.11 H=13.5						1	
25		SS9681610TP		SCREW 9/32-28 L=16						1	
26		SS7681650TP		SCREW 9/32-28 L=16						1	
27		SS7110910TP		SCREW 11/64-40 L= 8.5						2	
28		SS7620750SP		SCREW 3/16-32L= 6.5						1	
29		NS6620310SP		NUT 3/16-32						1	
30		21064001		OIL PAN						1	
31		10539906		SET NAIL						6	
32		18125609		LINK COLLAR						1	
33		SD0790432SP		HINGE SCREW D= 7.94 H= 4.3						1	

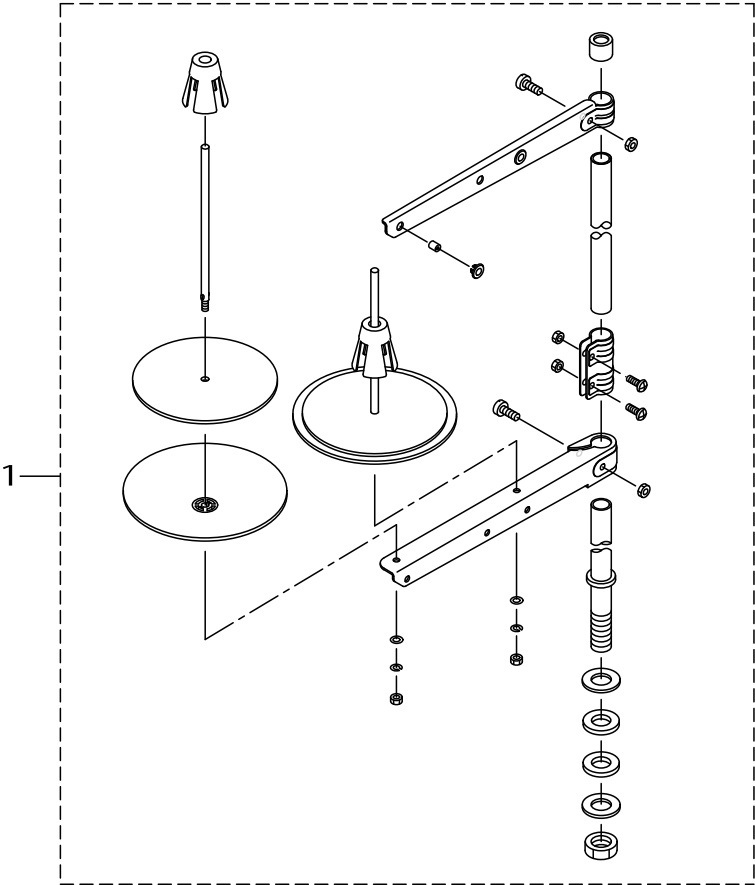
BELT COVER COMPONENTS



BELT COVER COMPONENTS

No.	Supply Code	Parts No.	Replacement	Parts name	Remarks	Choice	Step	Level	Cons	Qty	Rep. QTY
1		21096508		BELT COVER B (JE)	FOR JE					1	
2		21068101		BELT COVER B						1	
3		21064308		BELTCOVERBRACET						1	
4		SS6110480SP		SCREW 11/64-40 L=4.3						2	
5		SS7150740SP		SCREW 15/64-28 L=7						5	
6		SS7151410TP		SCREW15/64-28L=14						1	
7	D	21068051		BELT COVER A						1	
8		CM500300001		DIRECTION LABEL				*		1	
9		21068002		BELT COVER A				*		1	

THREAD STAND COMPONENTS



THREAD STAND COMPONENTS

No.	Supply Code	Parts No.	Replacement	Parts name	Remarks	Choice	Step	Level	Cons	Qty	Rep. QTY
1		40096354		THREAD STAND ASM.						1	

TABLE COMPONENTS

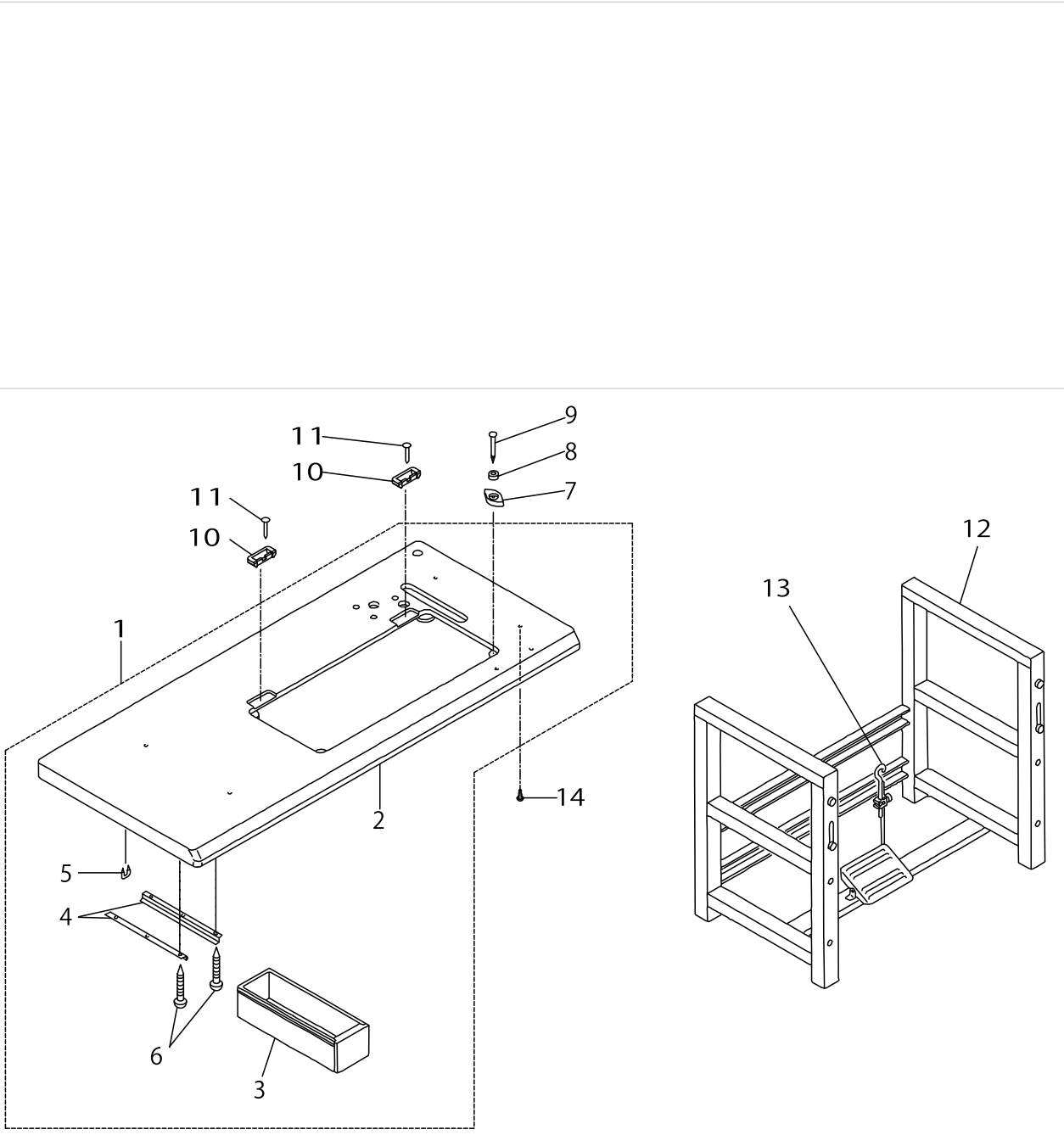
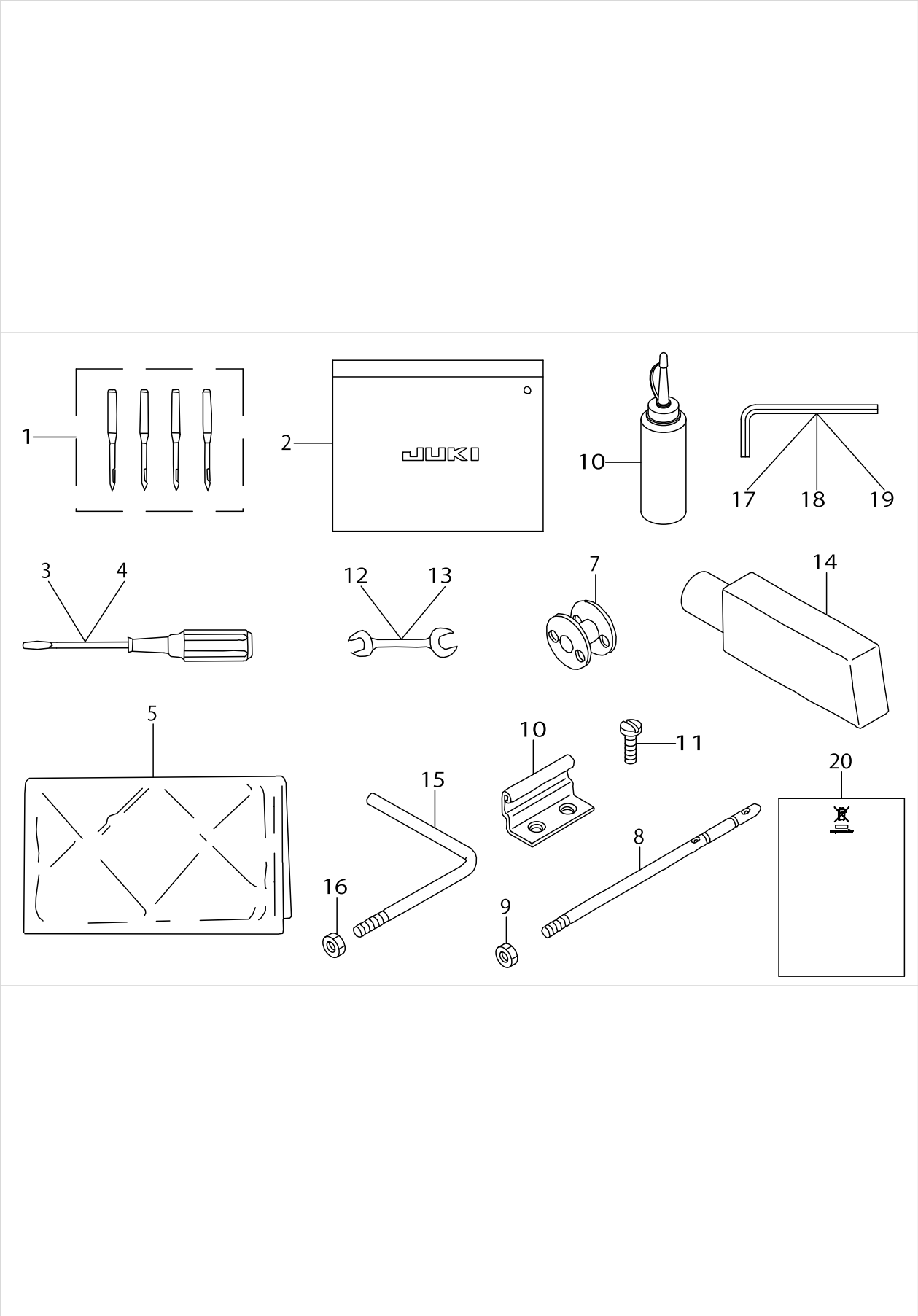


TABLE COMPONENTS

No.	Supply Code	Parts No.	Replacement	Parts name	Remarks	Choice	Step	Level	Cons	Qty	Rep. QTY
1		21068754		TABLE ASM.						1	
2		21068705		TABLE				*		1	
3	R	11155108	11155157	DRAWER				*		1	1.00
4		11155207		DRAWER SUPPORT				*		2	
5		B8204555D00		STAPLE BASE				*		1	
6		SK3311600SE		WOOD SCREW D=3.1 L=16				*		6	
7		B8209012000		RUBBER CUSHION						4	
8		B8206012000		FELT CUSHION						4	
9		10539906		SET NAIL						4	
10		11075801		RUBBER SPACER						2	
11		10539906		SET NAIL						4	
12		21065156		LEG ASM.						1	
13		B71140120A0		MOTOR CONNECTING ROD ASM.						1	
14	R	SK3513200SC	SK3513201SE	WOOD SCREW D=5.1 L=32						4	1.00

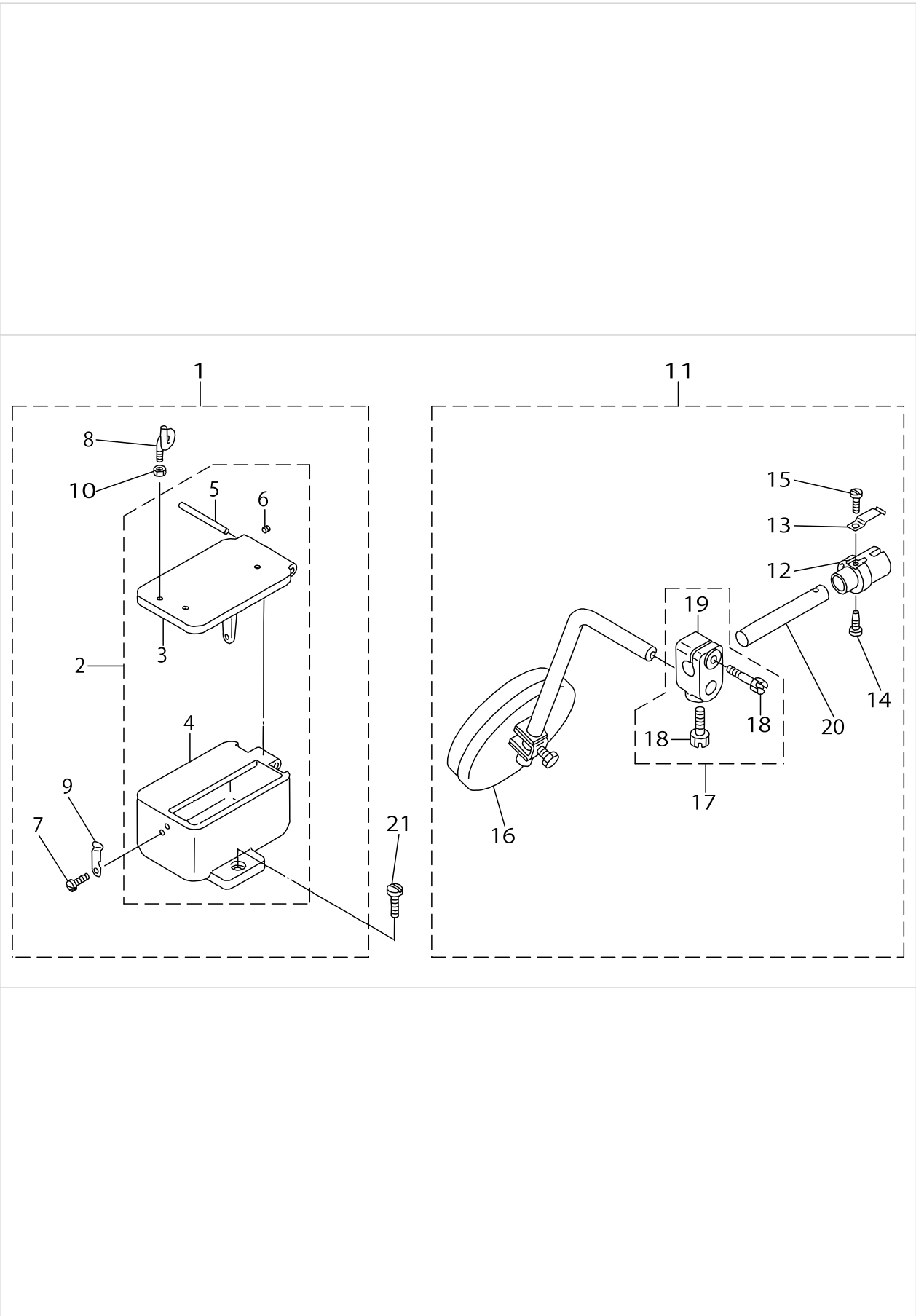
ACCESSORIES PARTS COMPONENTS (1)



ACCESSORIES PARTS COMPONENTS (1)

No.	Supply Code	Parts No.	Replacement	Parts name	Remarks	Choice	Step	Level	Cons	Qty	Rep. QTY
1	D	MC532002304		NEEDLE (794 NM=230-4)						1	
2		22932800		ACCESSORIE BAG						1	
3		22933006		SCREW DRIVER,LARGE						1	
4		12347308		SCREW DRIVER (SMALL)						1	
5		26234005		VINYL COVER						1	
6		B91212200A0		OILER (CONTAINING NO.2 OIL)						1	
7		21057401		BOBBIN						3	
8		40052262		THREAD GUIDE PIN						1	
9		NS6620310SP		NUT 3/16-32						1	
10		B8213512000		HINGE						2	
11		SS1681140SP		SCREW 9/32-28 L=11						4	
12		26034702		WRENCH						1	
13		B9113012000		WRENCH (9X10)						1	
14		21064506		SUPPORTING BLOCK						1	
15		21064605		SUPPORTING ARM	OPTION					1	
16		NS6150430SP		NUT 15/64-28	OPTION					1	
17		B9141372000		HEXAGONAL WRENCH, LARGE						1	
18		J106600000F		HEXAGONAL WRENCH KEY						1	
19		J106600000G		HEXAGONAL WRENCH KEY						1	
20		CM600100201		WEEE INFORMATION SHEET						1	

ACCESSORIES PARTS COMPONENTS (2)



ACCESSORIES PARTS COMPONENTS (2)

No.	Supply Code	Parts No.	Replacement	Parts name	Remarks	Choice	Step	Level	Cons	Qty	Rep. QTY
1		21068556		OIL POT ASM.						1	
2		21068564		OIL POT ASM.				*		1	
3	R	21064704	21064753	OIL POT COVER				*		1	1.00
4	R	21064803	21064753	OIL POT				*		1	1.00
5		PH0400402C0		PARALLEL PIN				*		1	
6		SS8090410SP		SCREW 9/64-40L=3.5				*		1	
7		SS7090710SP		SCREW 9/64-40L=6.8				*		1	
8		B3114761000		FRAME THREAD GUIDE B				*		1	
9	R	21064902	21064753	COVER STOPPER				*		1	1.00
10		NS6060350SP		NUT 3/32-56				*		1	
11		21065057		KNEE PRESS ASM.						1	
12		B3430521000		KNEE PRESS JOINT				*		1	
13		B3428521000		PRESSER SPRING				*		1	
14		SS7151550SP		SCREW 15/64-28 L=14.5				*		1	
15		SS7090510SP		SCREW 9/64-40L=4.6				*		1	
16		22934251		KNEE PAD PLATE ASM.				*		1	
17		40024739		KNEE PRESS ROD MOUNTING ARM ASM				*		1	
18		22934707		SCREW				*		2	
19		40024738		KNEE PRESS ROD MOUNTING ARM				*		1	
20		21065008		SHAFT				*		1	
21		SS7151210SP		SCREW 15/64-28L=12						1	

HOW TO MAKE USE OF THIS PARTS LIST

1.Explanation of codes

1)"*"mark.....means this part is changed from the previous parts book.

As to the details of the change, refer to the "List for information of change".

2)"#01".....refer to "Note" explanation at bottom of page.

2.Codes on the "Qty" column

- Each numeral indicates the number of parts required.
- "0.1" and "2.5" indicate the length (in meters) of the respective parts.

3.Parentheses mean that the corresponding part is a subpart that constructs an assembly part.

4.Dotted lines on the Figures indicate assembly parts.

1."注記"欄の記号説明

1) "*"印.....前回のパーツブックに比較して今回変更された部品を意味します。

変更内容は、"変更情報リスト"を参照してください。

2) "#01".....ページ下の"注記"の説明を参照してください。

2.数量欄の数字は、個数を表し、0.1、2.5等の数値は、長さ（単位メートル）を表します。

3.数量欄の（ ）は、組部品を構成している子部品であることを意味します。

4.イラストページの-----枠は、組構成であることを意味します。

NUMERICAL INDEX OF PARTS

PART NO	PAGE	REF NO.	PART NO	PAGE	REF NO.	PART NO	PAGE	REF NO.
10502300	22	27	21050703	10	3	21056007	18	13
10539906	24	31	21050802	10	4	21056205	18	39
10539906	30	11	21051008	10	6	21056312	18	9
11075801	30	10	21051107	10	7	21056502	18	11
11155108	30	3	21051206	10	8	21056601	18	12
11155207	30	4	21051305	10	9	21056809	18	14
12347308	32	4	21051404	10	10	21056908	18	15
18125609	24	32	21051503	10	11	21057005	18	16
21041850	18	23	21051602	10	12	21057104	18	17
21044102	2	6	21051701	10	13	21057203	18	18
21044151	2	5	21051800	10	14	21057302	18	19
21044201	2	7	21052006	12	2	21057401	18	20
21044300	2	9	21052105	12	3	21057401	32	7
21044508	4	1	21052204	12	4	21057500	18	21
21044607	4	2	21052303	12	5	21057609	18	22
21044706	4	3	21052402	12	6	21057708	18	29
21044805	4	4	21052501	12	16	21057807	18	33
21044904	4	5	21052600	12	15	21057906	18	40
21045109	4	7	21052709	12	9	21059001	20	1
21045208	4	8	21052808	12	10	21059001	22	34
21045406	4	12	21053004	12	12	21059100	20	4
21045505	4	13	21053103	12	13	21059209	20	5
21045604	4	14	21053202	12	14	21059308	20	6
21045703	4	15	21053509	12	17	21059407	20	7
21046008	4	27~ 29-32	21053608	12	18	21059514	2	19
			21053707	12	19	21059605	20	9
21046107	4	27~ 29-32	21054002	16	1	21059704	20	10
			21054101	16	2	21059803	20	11
21046206	4	27~ 29-32	21054200	16	3	21059902	20	12
			21054309	16	4	21060009	20	13
21046313	4	30	21054408	16	5	21060108	20	14
21048707	6	40	21054507	16	6	21060207	20	15
21049200	6	1	21054606	16	7	21061015	22	5
21049309	6	2	21054705	16	8	21061056	22	3
21049408	6	3	21054804	16	9	21061106	22	7
21049515	6	4	21054903	16	10	21061205	22	8
21049606	6	5	21055009	16	11	21061304	22	16
21049705	6	6	21055108	16	12	21061403	22	25
21049804	6	7	21055207	16	13	21061601	22	29
21049903	6	8	21055504	18	1	21061700	22	32
21050000	6	67	21055603	18	2	21061759	22	31
21050000	8	67	21055702	18	3	21061908	22	41
21050109	6	69	21055801	18	4	21062500	24	1
21050109	8	69	21055900	18	6	21062609	24	2
21050505	10	1	21055959	18	5	21062708	24	3
21050604	10	2						

NUMERICAL INDEX OF PARTS

PART NO	PAGE	REF NO.	PART NO	PAGE	REF NO.	PART NO	PAGE	REF NO.
21062807	24	4	21093109	6	41	B1513280000	24	6
21062906	24	5	21093208	6	42	B1617241H00	12	33
21063003	24	8	21093307	6	43	B1618241H00	12	34
21063102	24	9	21093406	6	44	B1619241H00	12	11
21063201	24	10	21093505	6	45	B1662562000	10	16
21063300	24	11	21093604	8	46	B1702012000	12	44
21063409	24	12	21093703	8	47	B1702012000	18	42
21063508	24	13	21093901	6	19	B1806038000	18	43
21063607	24	14	21094008	6	20	B2510158000	22	40
21063706	24	15	21094107	6	21	B3114761000	34	8
21063805	24	17	21094701	6	22	B3125012000	20	3
21063904	24	16	21094800	6	23	B3125012000	22	36
21064001	24	30	21094909	6	24	B3126012000	20	2
21064308	26	3	21095005	10	5	B3126012000	22	35
21064506	32	14	21095104	10	18	B3129012B00	22	33
21064605	32	15	21095153	10	17	B3201158000	22	4
21064704	34	3	21095609	12	1	B3203158000	22	6
21064803	34	4	21096359	2	1	B3204232000	22	13
21064902	34	9	21096409	2	2	B3205232000	22	14
21065008	34	20	21096508	26	1	B3206232000	22	15
21065057	34	11	21097506	10	19	B3207158000A	22	19
21065156	30	12	21097605	2	14	B3211210000	22	17
21067855	4	9	21154216	18	27	B3212210000	22	23
21067905	22	1	21161153	20	16	B3413227000	24	7
21068002	26	9	22901805	2	17	B3428521000	34	13
21068051	26	7	22904155	12	39	B3429521000	24	18
21068101	26	2	22904155	18	35	B3430521000	34	12
21068556	34	1	22932800	32	2	B3432521000	24	19
21068564	34	2	22933006	32	3	B71140120A0	30	13
21068705	30	2	22934251	34	16	B8204555D00	30	5
21068754	30	1	22934707	34	18	B8206012000	30	8
21090709	2	3	26034702	32	12	B8209012000	30	7
21091707	4	6	26234005	32	5	B8213512000	32	10
21091806	4	26	40024738	34	19	B9113012000	32	13
21092002	6	28	40024739	34	17	B91212200A0	32	6
21092101	6	29	40027078	4	27~ 29-32	B9141372000	32	17
21092200	6	30	40052262	32	8	CM300200001	2	16
21092309	6	31	40096354	28	1	CM301200002	2	18
21092408	6	33	40178619	18	10	CM500300001	26	8
21092507	6	34	A3222958000	22	18	CM600100201	32	20
21092606	6	35	A3243997C00	2	4	CQ202000000	4	10
21092705	6	36	B1131562000	20	17	CQ202000000	8	49
21092804	6	37	B1213012000	14	45	CQ202000000	14	49
21092903	6	38	B1424158000	12	36	CQ303000000	18	8
21093000	6	39				CS0790721TH	12	22

NUMERICAL INDEX OF PARTS

PART NO	PAGE	REF NO.	PART NO	PAGE	REF NO.	PART NO	PAGE	REF NO.
CS1471012SH	12	26	SM6061552TP	6	70	SS7112810SP	22	26
CS1801211SH	8	50	SM6061552TP	8	70	SS7150740SP	2	15
D2446141E00	8	57	SM6061552TP	12	38	SS7150740SP	16	16
J106600000F	32	18	SM6061650TP	8	61	SS7150740SP	24	20
J106600000G	32	19	SM6081802TP	6	16	SS7150740SP	26	5
MC532002300	6	32	SM6081802TP	18	25	SS7151120SP	8	64
MC532002304	32	1	SM8061212TP	8	62	SS7151120SP	22	43
NS6060350SP	34	10	SM9082003SC	18	37	SS7151210SP	34	21
NS6080210SP	22	11	SS1090410SL	20	24	SS7151410TP	26	6
NS6090310SP	10	24	SS1681140SP	4	20	SS7151550SP	8	54
NS6110310SP	22	24	SS1681140SP	32	11	SS7151550SP	34	14
NS6110420SP	18	30	SS2110915SP	2	12	SS7620750SP	24	28
NS6150310SP	20	20	SS2110915SP	4	22	SS7621040SP	10	25
NS6150430SP	32	16	SS4080620TP	12	20	SS7621510SP	18	31
NS6620310SP	24	29	SS5060410SP	22	9	SS7681650TP	24	26
NS6620310SP	32	9	SS6080410SP	22	28	SS8090410SP	34	6
NS6680320SP	16	17	SS6080710SP	22	39	SS8110510SP	22	12
NS6680320SP	18	38	SS6110480SP	26	4	SS8150410SP	10	23
NS6680320SP	20	18	SS6110710TP	8	59	SS8150710SP	4	21
NS6680320SP	22	37	SS6121210SP	10	26	SS8150710SP	6	52
NS6680410SP	4	19	SS6121610TP	16	14	SS8150710SP	8	52
NS6680410SP	8	66	SS6151440SP	18	41	SS8150710SP	12	42
NS6680410SP	12	47	SS6151920SP	2	13	SS8150710SP	18	34
NS6680410SP	14	47	SS6151920SP	12	43	SS8150710SP	22	30
NS6720440SP	6	68	SS6621840SP	16	15	SS8151150SP	12	41
NS6720440SP	8	68	SS6660622TP	10	15	SS8151150SP	18	28
PH0400402C0	34	5	SS7060310SP	2	8	SS8151550SP	4	16
PS0300201KP	10	22	SS7081310SP	22	10	SS8151550SP	18	32
PT0405600SH	4	18	SS7090510SP	34	15	SS8620610TP	12	21
RE0400000K0	4	24	SS7090610SP	20	22	SS8660512TP	8	60
RE0700000K0	12	37	SS7090620TP	12	23	SS8660512TP	14	48
RE0800000K0	6	48	SS7090710SP	2	11	SS8660610TP	4	25
RE0800000K0	8	48	SS7090710SP	20	23	SS8660610TP	6	14
SD0600321SP	20	19	SS7090710SP	22	42	SS8660610TP	12	40
SD0720193SP	22	21	SS7090710SP	34	7	SS8660610TP	18	36
SD0790431SP	24	22	SS7091410SP	10	20	SS8660612TP	4	17
SD0790432SP	24	33	SS7110540SP	6	25	SS8660810TP	8	51
SD1000701TP	24	23	SS7110830SP	18	26	SS8660942TP	10	21
SD1000951SP	14	46	SS7110840SP	6	26	SS9681610TP	24	25
SD1070901TP	4	31	SS7110910SP	22	38	SS9702110SP	4	23
SD1111351SP	24	24	SS7110910TP	24	27	TA0290301M0	18	7
SD1201201TP	8	65	SS7111120SP	8	63	WP0621026SP	8	71
SD1201201TP	12	31	SS7111120SP	20	21			
SK3311600SE	30	6	SS7111120SP	22	2			
SK3513200SC	30	14	SS7111810SP	22	20			