

MODEL : PLH-981,982

List No : 0528-06

# PARTS LIST

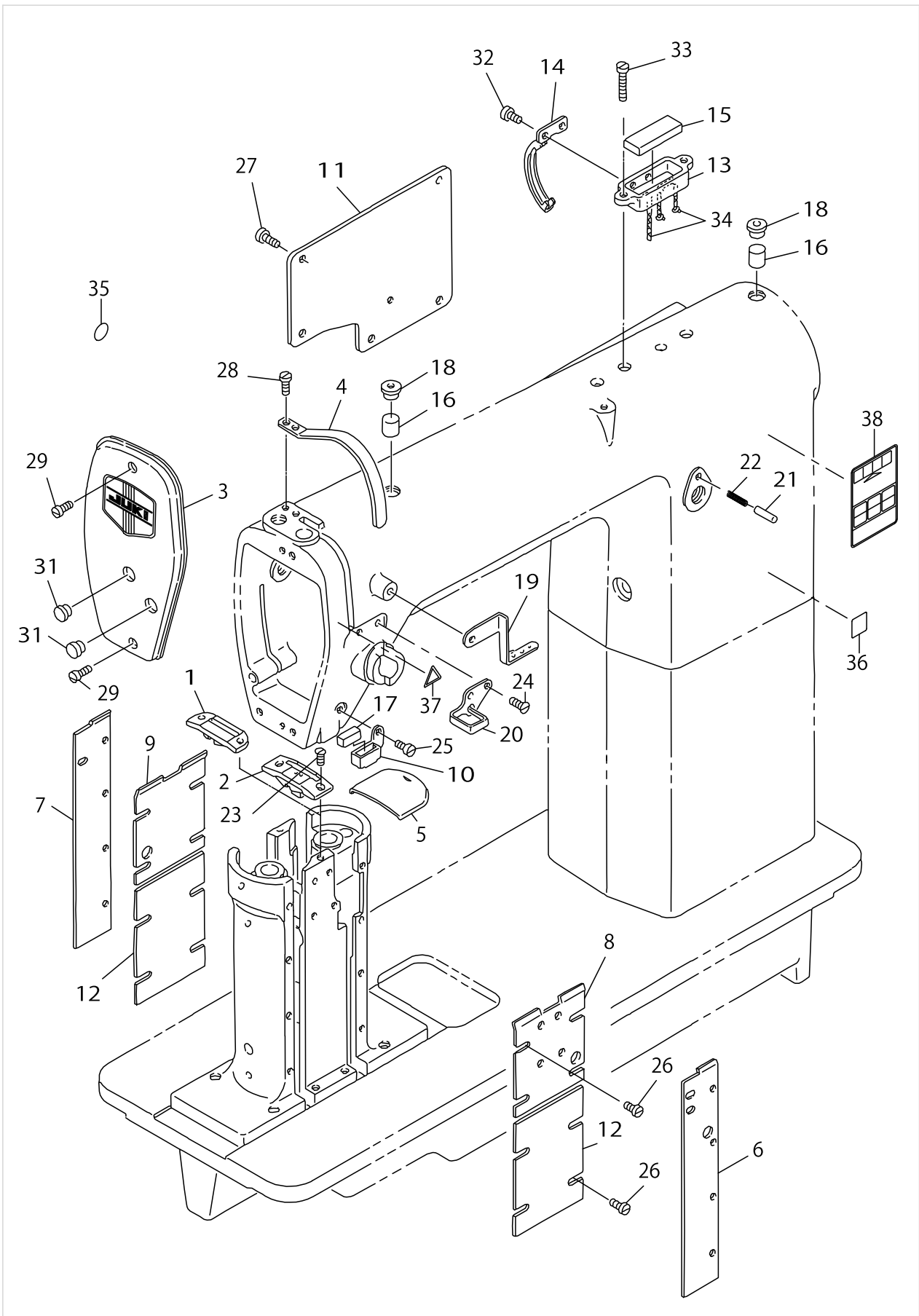
Published:05/12/2017

## CONTENTS

---

FRAME & MISCELLANEOUS COVER COMPONENTS .....	1
MAIN SHAFT & THREAD TAKE-UP LEVER COMPONENTS .....	3
ARM SHAFT COMPONENTS .....	5
NEEDLE BAR COMPONENTS .....	7
PRESSURE BAR COMPONENTS .....	9
FEED MECHANISM COMPONENTS (1).....	13
FEED MECHANISM COMPONENTS (2).....	15
HOOK DRIVING SHAFT & HOOK COMPONENTS .....	19
THREAD TENSION COMPONENTS (PLH-981).....	21
THREAD TENSION COMPONENTS (PLH-982).....	23
KNEE LIFTER & OIL PAN COMPONENTS.....	25
BELT COVER & BOBBIN WINDER COMPONENTS .....	27
THREAD STAND COMPONENTS (PLH-981) .....	29
THREAD STAND COMPONENTS (PLH-982) .....	31
TABLE COMPONENTS .....	33
ACCESSORIES PARTS COMPONENTS .....	35
GAUGE PARTS COMPONENTS .....	37
TABLE OF GAUGE FOR PLH-982 .....	39
LIST FOR INFORMATION OF CHANGE.....	41
HOW TO MAKE USE OF THIS PARTS LIST .....	42

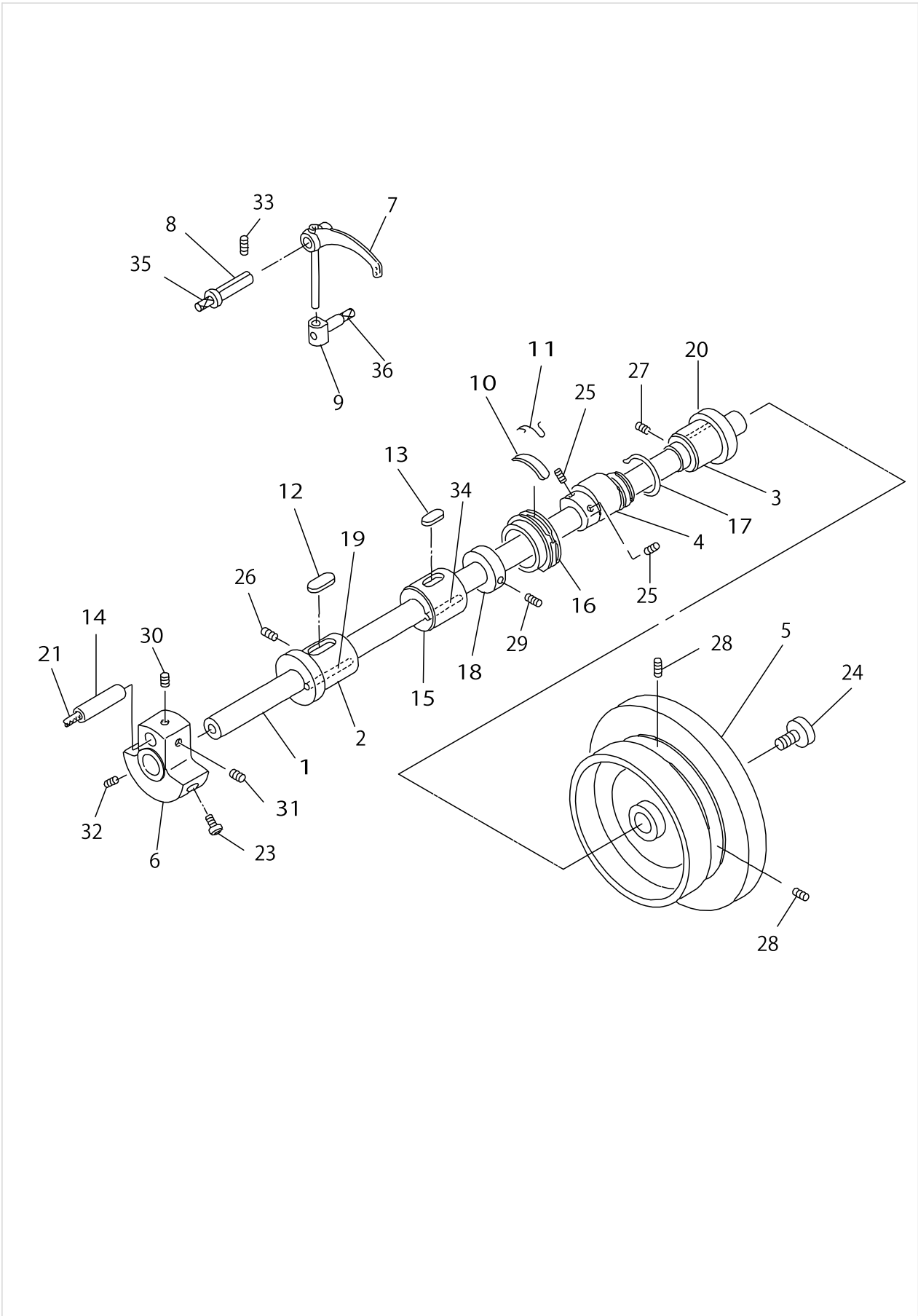
FRAME & MISCELLANEOUS COVER COMPONENTS



FRAME & MISCELLANEOUS COVER COMPONENTS

No.	Supply Code	Parts No.	Replacement	Parts name	Remarks	Choice	Step	Level	Cons	Qty	Rep. QTY
1		21000302		NEEDLE PLATE	FOR PLH-981					1	
2		21016019		THROAT PLATE 2.4 (3/32)	FOR PLH-982					1	
3		21000955		FACE PLATE ASM.						1	
4		21001409		THREAD TAKE-UP COVER						1	
5		21001508		SLIDE PLATE						2	
6		21001003		COVER A	FOR PLH-981					1	
7		21001102		COVER B	FOR PLH-981					1	
8		21017702		COVER (UPPER) A (3/32)	FOR PLH-982					1	
9		21017801		COVER (UPPER) B (3/32)	FOR PLH-982					1	
10		B1130528000		THREAD GUIDE, LOWER						1	
11		21001201		SIDE COVER						1	
12		21017900		COVER (LOWER) C	FOR PLH-982					2	
13	D	B3501115000		OIL DEPOSIT						1	
14		B3502115000		OIL WICK RETAINER						1	
15	D	B3503115000		OIL RESERVOIR FELT						1	
16		B3517009000		OIL FELT REAR						2	
17		B1131528000		FELT						1	
18		B1156115000		RUBBER PLUG						2	
19		B1131512000		L-SHAPED THREAD GUIDE	FOR PLH-981					1	
20		B1129521000		THREAD GUIDE, UPPER						1	
21		B1147555000		PIN						1	
22		22912109		FEED REGULATOR PIN SPRING						1	
23		SS2090840SP		SCREW						2	
24		SS2090520SL		SCREW 9/64-40 L=5						2	
25		SS2090520SL		SCREW 9/64-40 L=5						1	
26		SS4090610SP		SCREW 9/64-40 L=6	8 PIECES USE FOR PLH-981					16	
27		SS7110710SP		SCREW 11/64-40 L=7						5	
28	R	SS7110910SP	SS7110910TP	SCREW 11/64-40 L=8.5						2	1.00
29	R	SS7111120SP	SS7111120TP	SCREW 11/64-40 L=10.5						2	1.00
30		SS7110710SP		SCREW 11/64-40 L=7	FOR PLH-981					3	
31		TA1050504R0		RUBBER PLUG						2	
32		SS7080510TP		SCREW 1/8-44 L=4.5						2	
33	R	SS7111410SP	SS7111410TP	SCREW 11/64-40 L=14						2	1.00
34		CQ202000000		OIL WICK						.3	
35		22901805		GROUND MARK						1	
36		CM600100101		WEEE MARK LABEL S						1	
37		CM300200001		ATTENTION SEAL						1	
38		CM301200001		SAFETY LABEL_S						1	

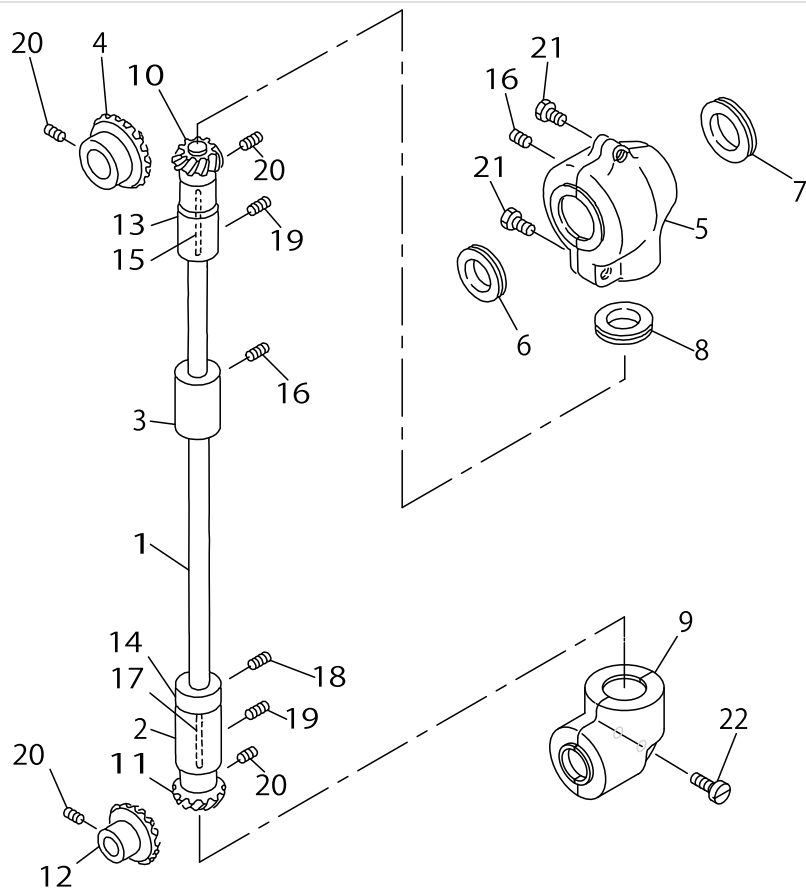
MAIN SHAFT & THREAD TAKE-UP LEVER COMPONENTS



MAIN SHAFT & THREAD TAKE-UP LEVER COMPONENTS

No.	Supply Code	Parts No.	Replacement	Parts name	Remarks	Choice	Step	Level	Cons	Qty	Rep. QTY
1		21002159		ARM SHAFT ASM.						1	
2		21002209		ARM SHAFT BUSHING, FRONT						1	
3		21002308		ARM SHAFT BUSHING, REAR						1	
4		21002407		FEED ECCENTRIC CAM						1	
5		B1227141H0AA		HANDWHEEL						1	
6		21002605		BAR CRANK COUNTER WEIGHT						1	
7		21011408		THREAD TAKE-UP LEVER						1	
8		B1906051000		TAKE-UP LEVER PIN						1	
9		B1907051000		TAKE-UP LEVER THRUST PIN						1	
10		B1212012000		OIL FELT						1	
11		B1213012000		FELT RETAINER						1	
12		B1218012000		REAR BUSHING OIL FELT						1	
13		B1702012000		OIL FELT						1	
14		B1210051000		NEEDLE BAR CRANK PIN						1	
15		B1203201000		MAIN SHAFT BUSHING, INTERMEDIA						1	
16		B1211226000		ECCENTRIC RETAINER HOUSING						1	
17		RC1850001KP		SNAP RING 18.5						1	
18		CS1471411SH		THRUST COLLAR						1	
19		CQ200000000		OIL WICK						.1	
20		CQ200000000		OIL WICK						.1	
21		CQ505000000		OIL WICK						.1	
22		SS7151120SP		SCREW15/64-28L=11						1	
23		SS7681750TP		SCREW 9/32-28 L=16.5						1	
24		SS7701010SP		SCREW 5/16-24 L=10						1	
25	R	SS8150710SP	SS8150710TP	SCREW 15/64-28 L=7						2	1.00
26		SS8151550SP		SCREW15/64-28L=15						1	
27		SS8151550SP		SCREW15/64-28L=15						1	
28		SS8151550SP		SCREW15/64-28L=15						2	
29		SS8680810TP		SCREW 9/32-28 L=8.0						3	
30		SS8680540SP		SCREW 9/32-28 L=4.5						1	
31		SS8680730SP		SCREW 9/32-28 L=7						1	
32		SS8681650TP		SCREW 9/32-28 L=16						1	
33		SS8151550SP		SCREW15/64-28L=15						1	
34		CQ200000000		OIL WICK						.1	
35		CQ252000000		OIL WICK						.076	
36		CQ252000000		OIL WICK						.028	

ARM SHAFT COMPONENTS

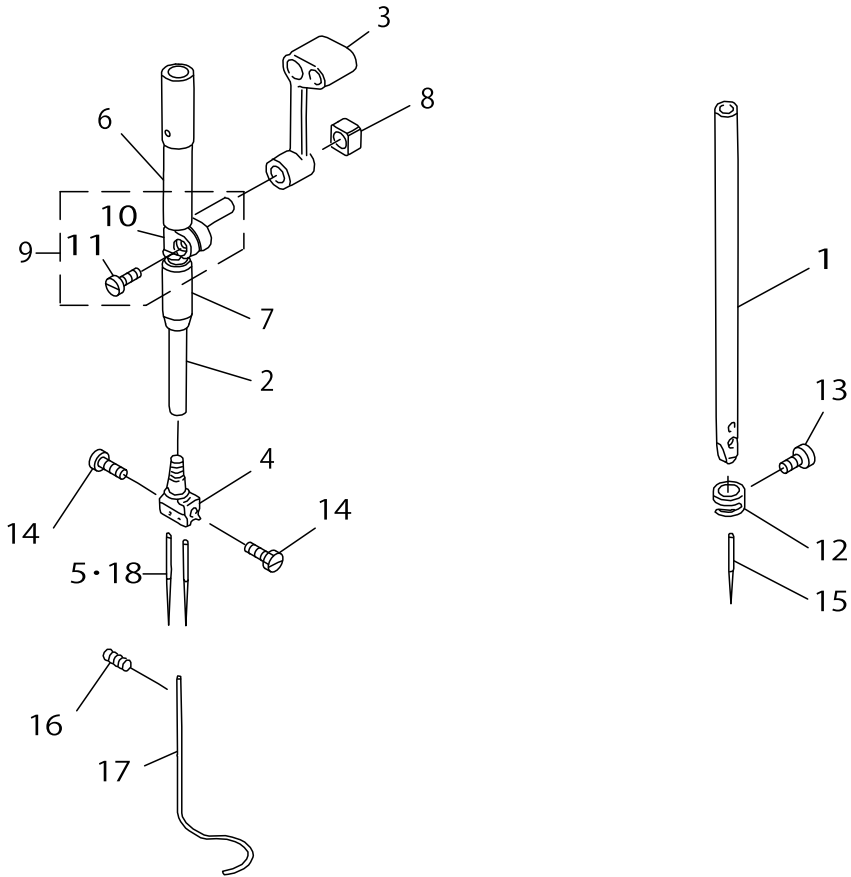


ARM SHAFT COMPONENTS

No.	Supply Code	Parts No.	Replacement	Parts name	Remarks	Choice	Step	Level	Cons	Qty	Rep. QTY
1		21002704		ARM SHAFT						1	
2		21002803		ARM SHAFT, LOWER BUSHING						1	
3		B1303271000		BUSHING, LOWER						1	
4		B13050120A0		GEAR ASM.						1	
5	D	B1308012000		GEAR CASE						1	
6		B1310012000		OIL SEAL (A)						1	
7		B1311012000		OIL SEAL (B)						1	
8		B1312012000		OIL SEAL (C)						1	
9		B13072710A0		PINION CASE ASM.						1	
10		B13061550A0		PINION ASM.						1	
11		B13071550A0		GEAR ASM. LARGE						1	
12		B13081550A0		PINION ASM.						1	
13		B1302201000		BUSHING, UPPER						1	
14		CS0791016SH		THRUST HOLDER D=7.94 W=10						1	
15		CQ202000000		OIL WICK						.1	
16		SS6160680SP		SCREW 1/4-24 L=6						1	
17		CQ202000000		OIL WICK						.1	
18		SS8110520TP		SCREW 11/64-40 L= 4.5						2	
19		SS8151550SP		SCREW 15/64-28L=15						3	
20		SS8660810TP		SCREW 1/4-40 L=8						8	
21		SS9181520CP		SCREW 9/32-20 L=15.0						2	
22	D	SM6051410SC		SCREW M5X0.8 L=14						1	



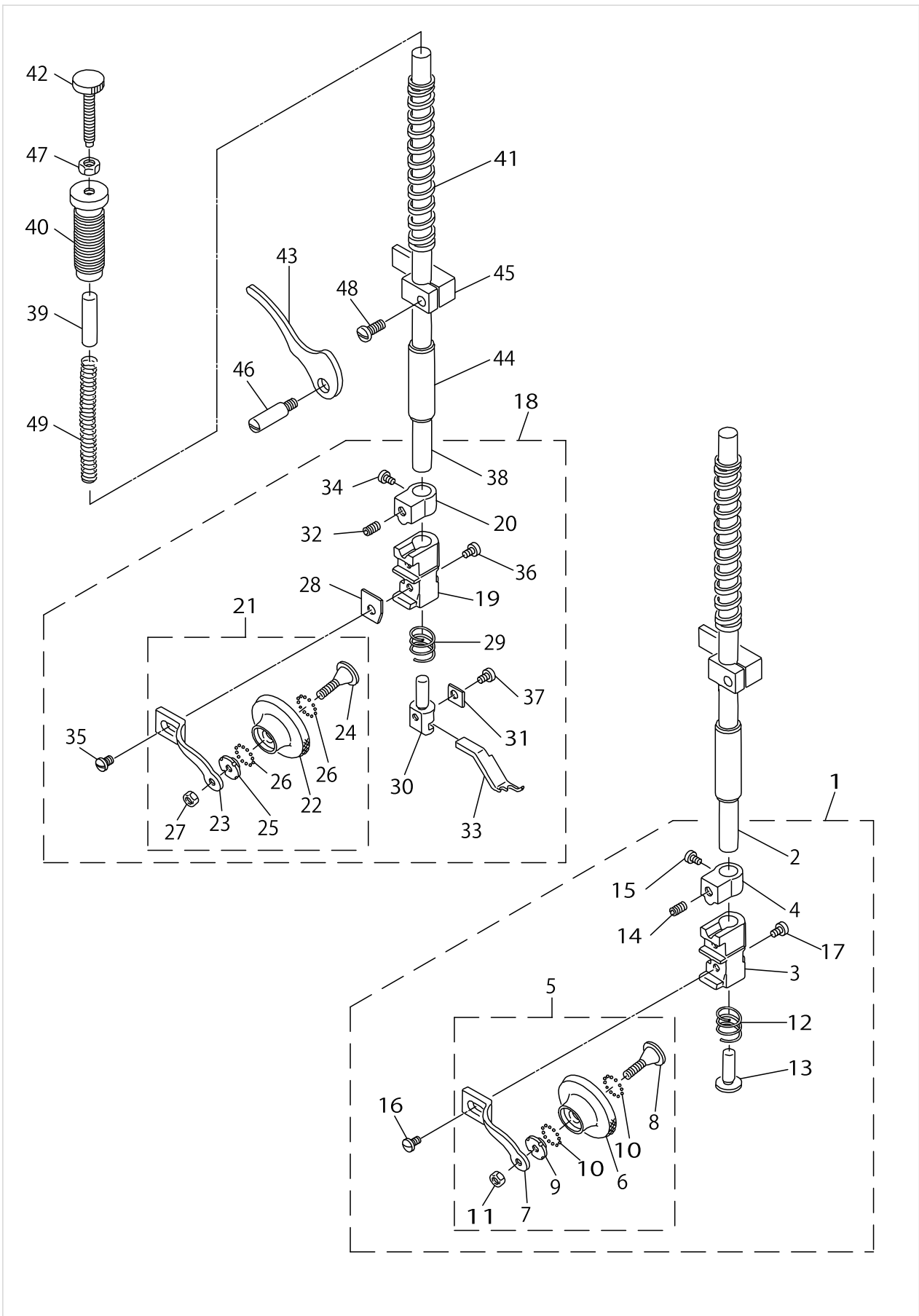
NEEDLE BAR COMPONENTS



NEEDLE BAR COMPONENTS

No.	Supply Code	Parts No.	Replacement	Parts name	Remarks	Choice	Step	Level	Cons	Qty	Rep. QTY
1		21002902		NEEDLE BAR	FOR PLH-981					1	
2		21018403		NEEDLE BAR	FOR PLH-982					1	
3		21003009		NEEDLE BAR CRANK ROD						1	
4		21017504		NEEDLE CLAMP 2.4 3/32	FOR PLH-982					1	
5		MDP500B1800		NEEDLE DPX5 #18	1 PIECE USE FOR PLH-981					2	
6		22906101		NEEDLE BAR BUSHING, UPPER						1	
7	R	B1403155000	22906200	NEEDLE BAR BUSHING, LOWER						1	1.00
8		B1414555000		SLIDE BLOCK						1	
9		22906457		NEEDLE BAR HOLDER ASM.						1	
10	R	22906408	22906457	NEEDLERODHOLDER				*		1	1.00
11		SS6090670TP		SCREW 9/64-40 L=6				*		1	
12		B1418141H00		NEEDLE BAR THREAD GUIDE	FOR PLH-981					1	
13		SS7080510TP		SCREW 1/8-44 L=4.5	FOR PLH-981					1	
14		SS6080360SP		SCREW	FOR PLH-982					2	
15		MDP170B1800		NEEDLE DPX17 #18	FOR PLH-981					1	
16	R	SS8110510SP	SS8110520TP	SCREW 11/64-40 L=5						1	1.00
17		21003108		SAFETY COVER						1	
18	D	MC200501100		NEEDLE 134 #110	FOR JE (1 PIECE USE FOR PLH-981)					2	

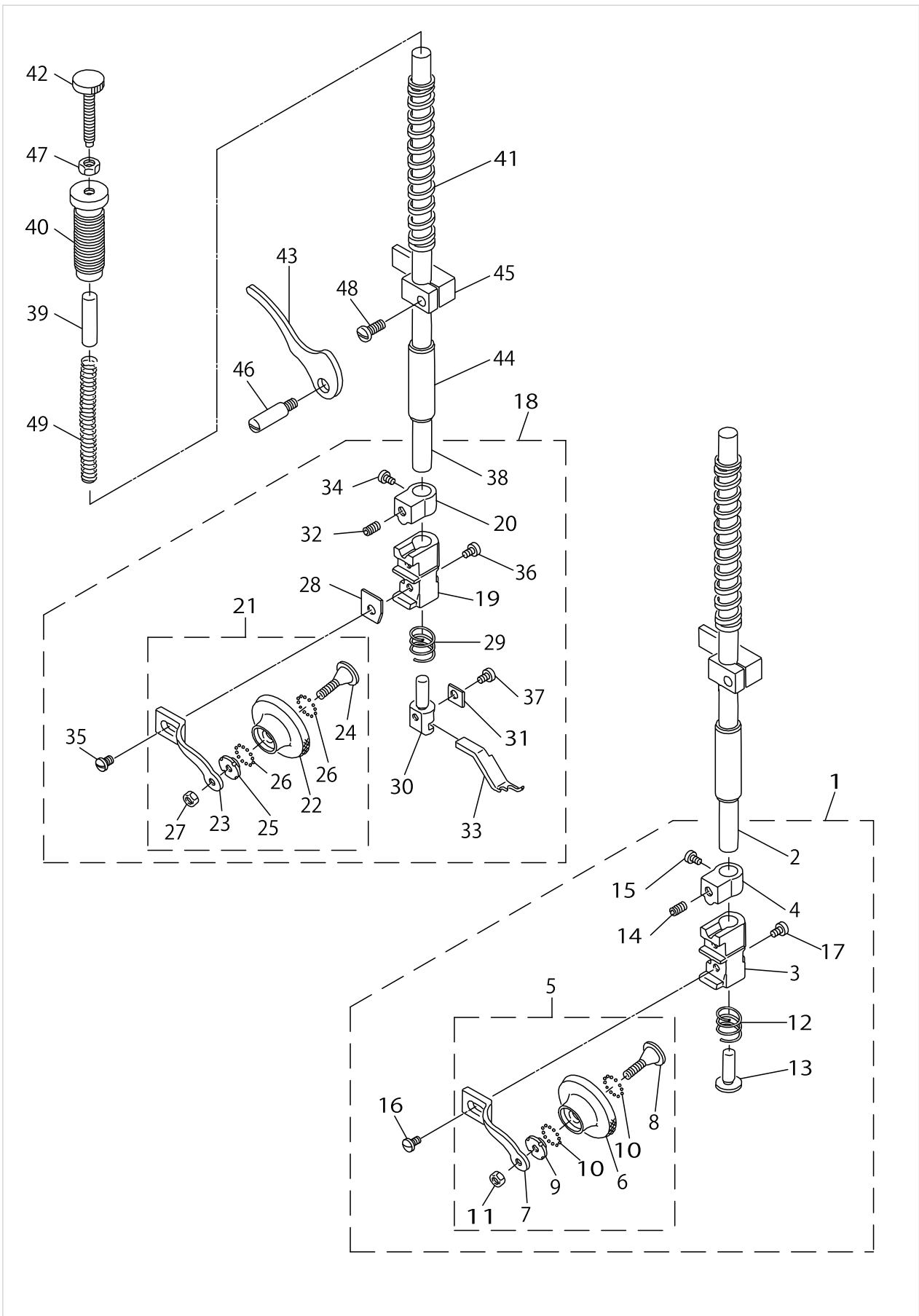
PRESSURE BAR COMPONENTS



PRESSURE BAR COMPONENTS

No.	Supply Code	Parts No.	Replacement	Parts name	Remarks	Choice	Step	Level	Cons	Qty	Rep. QTY
1		21003256		PRESSER BAR ASM.	FOR PLH-981					1	
2	R	21003207	21003256	PRESSER BAR				*		1	1.00
3	D	21004205		PRESSER BASE				*		1	
4	D	21004304		STOPPER				*		1	
5		21005459		ROLLER PRESSER ASM.				*		1	
6		21005400		ROLLER				*		1	
7		21005509		ROLLER HOLDER				*		1	
8		21005608		ROLLER STOPPER				*		1	
9		21005707		BALL SEAT NUT				*		1	
10		21005806		BEARING BALL				*		24	
11	R	21005905	NS6120310SP	ROLLER STOPPER NUT				*		1	1.00
12		21004403		BASE SPRING				*		1	
13		21006309		BASE SPRING RETAINER	FOR PLH-981			*		1	
14	R	SS8150710SP	SS8150710TP	SCREW 15/64-28 L=7				*		1	1.00
15		21004601		SCREW				*		1	
16		21004502		SCREW	FOR PLH-981			*		1	
17		SS6080360SP		SCREW				*		2	
18		21020052		PRESSER BAR ASM.	FOR PLH-982					1	
19	D	21004205		PRESSER BASE				*		1	
20	D	21004304		STOPPER				*		1	
21		21005459		ROLLER PRESSER ASM.				*		1	
22		21005400		ROLLER				*		1	
23		21005509		ROLLER HOLDER				*		1	
24		21005608		ROLLER STOPPER				*		1	
25		21005707		BALL SEAT NUT				*		1	
26		21005806		BEARING BALL				*		24	
27	R	21005905	NS6120310SP	ROLLER STOPPER NUT				*		1	1.00
28		21020003		WASHER	FOR PLH-982			*		1	
29		21004403		BASE SPRING				*		1	
30		21020102		LOWER NEEDLE GUIDE SUPPORT	FOR PLH-982			*		1	
31		21020201		GUIDE SUPPORT PLATE	FOR PLH-982			*		1	
32	R	SS8150710SP	SS8150710TP	SCREW 15/64-28 L=7				*		1	1.00
33		21018809		NEEDLE GUIDE 3/32	FOR PLH-982			*		1	
34		21004601		SCREW				*		1	
35		21020706		SCREW	FOR PLH-982			*		1	
36		SS6080360SP		SCREW	FOR PLH-982			*		2	
37		21020607		SCREW	FOR PLH-982			*		1	
38	R	21003207	21003256	PRESSER BAR				*		1	1.00
39		21006101		GUIDE SHAFT						1	
40		21006408		ADJUST SCREW A						1	
41		B1510141H00		PRESSER SPRING						1	
42		21006507		ADJUST SCREW B						1	
43	D	B1512012000		HAND LIFTER						1	
44		B1510155000		PRESSER BAR LOWER BUSHING						1	
45		B1507512000		PRESSER BAR GUIDE BRACKET						1	
46		B1515512000		HAND LIFTER SHAFT						1	

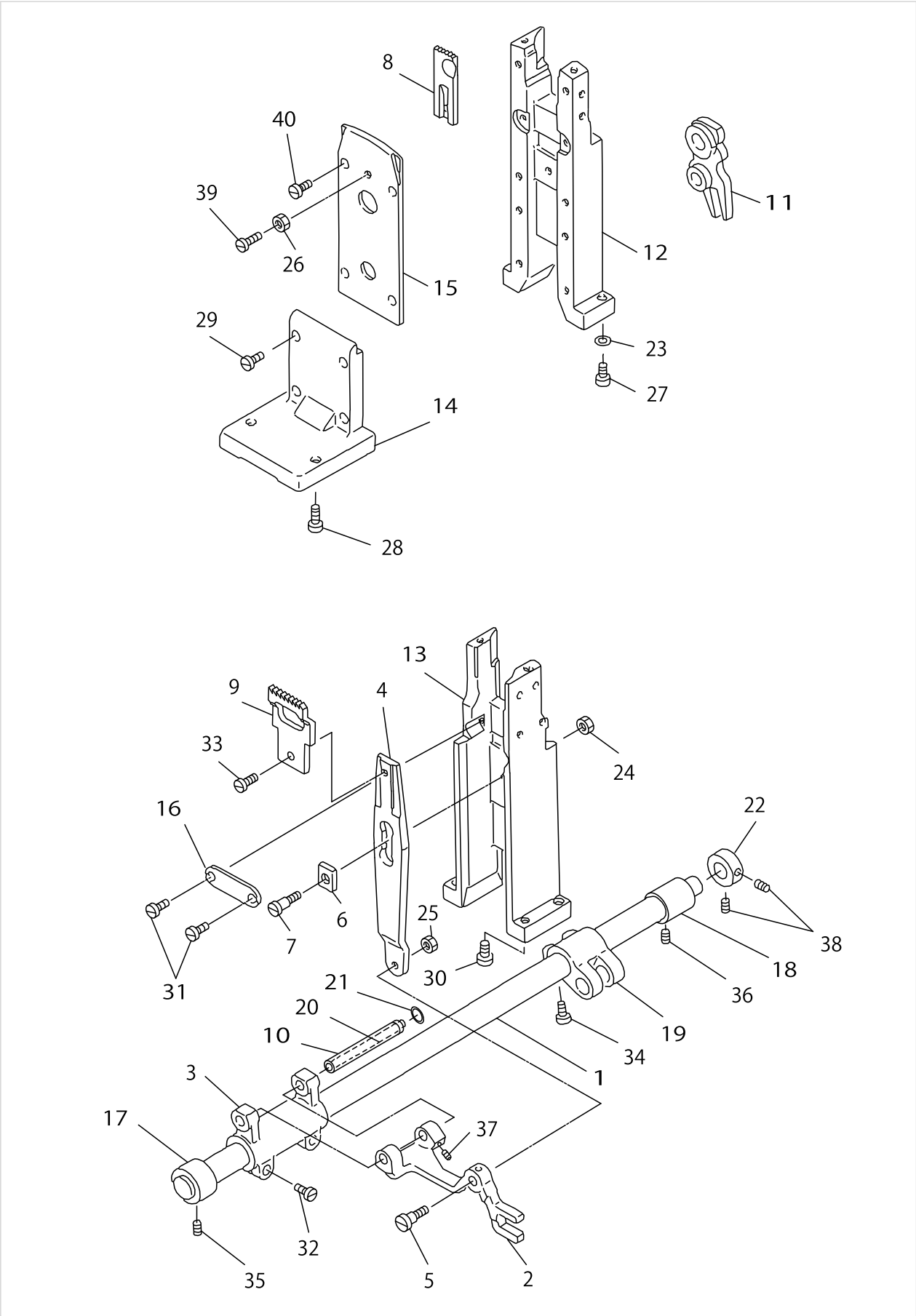
PRESSURE BAR COMPONENTS



PRESSURE BAR COMPONENTS

No.	Supply Code	Parts No.	Replacement	Parts name	Remarks	Choice	Step	Level	Cons	Qty	Rep. QTY
47		NS6110530SP		NUT 11/64-40						1	
48	R	SS7111310SP	SS7111310TP	SCREW 11/64-40 L=12.8						1	1.00
49		21006002		ADJUST SPRING B						1	

FEED MECHANISM COMPONENTS (1)

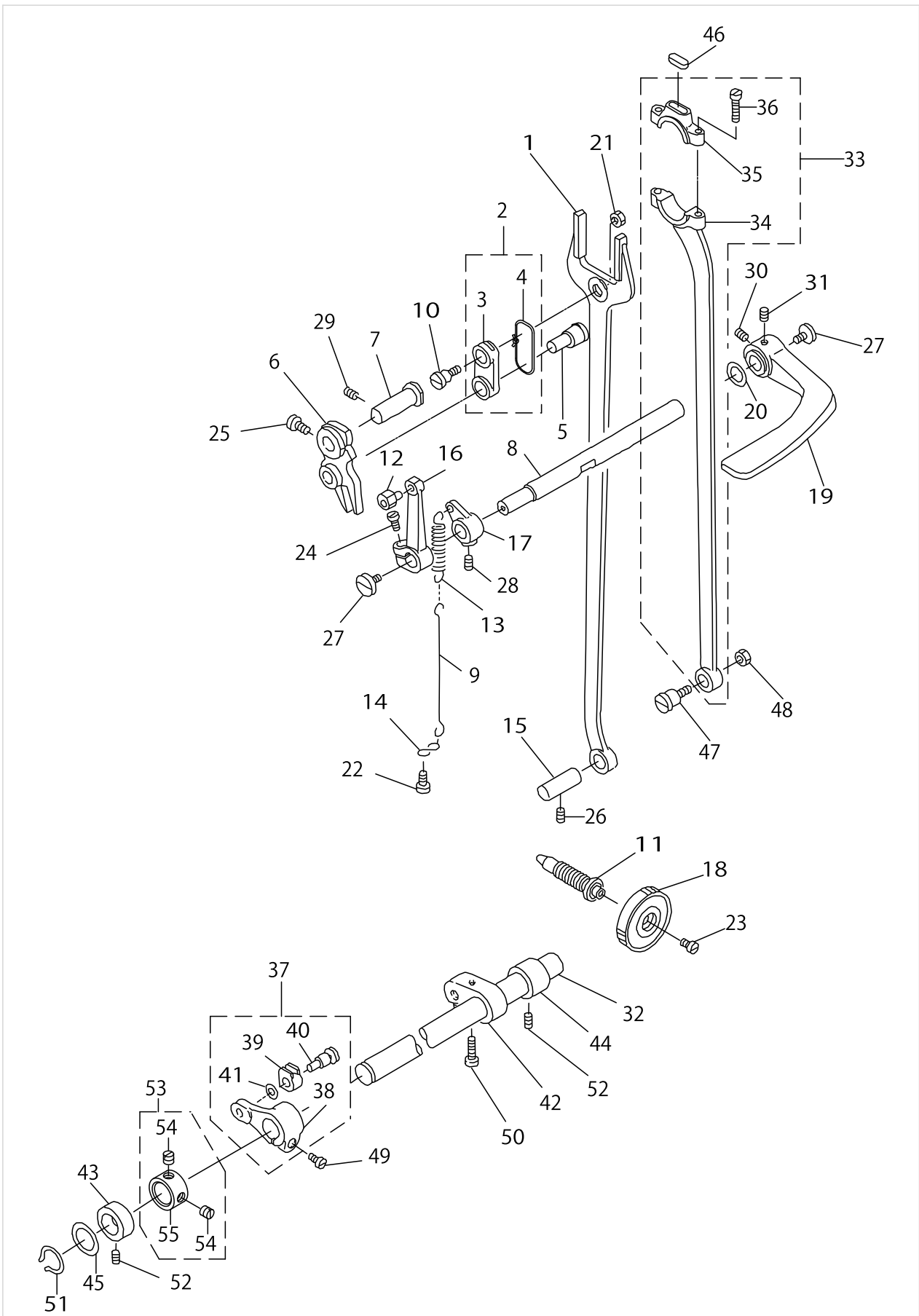


FEED MECHANISM COMPONENTS (1)

No.	Supply Code	Parts No.	Replacement	Parts name	Remarks	Choice	Step	Level	Cons	Qty	Rep. QTY
1		21006606		FEEDROCKERSHAFT						1	
2	D	21006705		FEED BAR						1	
3		21006804		FEED BAR ARM						1	
4		21006903		FEED LINK						1	
5		SD0640851SP		STEP-SCREW						1	
6		21007109		SLIDE BLOCK						1	
7		SD0640372SH		HINGE SCREW						1	
8		21007307		FEEDER	FOR PLH-981					1	
9		21021308		FEED DOG 2.4 (3132)	FOR PLH-982					1	
10		21008305		FEED BAR HINGE STUD						1	
11		21008701		FEED REGULATOR	FOR PLH-981					1	
12		21008008		FEED LINK SUPPORT	FOR PLH-981					1	
13		21020805		FEED LINK SUPPORT	FOR PLH-982					1	
14		21008107		SUPPORT	FOR PLH-981					1	
15		21008206		COVER	FOR PLH-981					1	
16		21009303		PRESSE PLATE						1	
17		B1604141H00		BUSHING, FRONT						1	
18		B1602141H00		BUSHING, REAR						1	
19		B1607155000A		FEED ARM						1	
20		CQ202000000		OIL WICK						.17	
21		RE0500000K0		E-RING						1	
22		CS1111019SH		THRUST COLLAR D=11.11 W=10						1	
23		WS0822010KP		SPRING WASHER 8.2X15X2						2	
24		NS6620310SP		NUT 3/16-32						1	
25		NS6110350SP		NUT 11/64-40						1	
26		NS6660430SP		NUT 1/4-40	FOR PLH-981					1	
27		SS7702610SP		SCREW A						2	
28		SS7702610SP		SCREW A	FOR PLH-981					2	
29	R	SS7111120SP	SS7111120TP	SCREW 11/64-40 L=10.5	FOR PLH-981					4	1.00
30		SS7161640SP		SCREW 1/4-24 L=16.0	FOR PLH-982					2	
31		SS2110920TP		SCREW 11/64-40 L=8.5						2	
32		SS6111210SP		SCREW 11/64-40 L=12						2	
33		SS7110510SP		SCREW 11/64-40 L=5						1	
34		SS6121210SP		SCREW 3/16-28 L=12						2	
35	R	SS8150710SP	SS8150710TP	SCREW 15/64-28 L=7						1	1.00
36	R	SS8151150SP	SS8151150TP	SCREW 15/64-28 L=10.5						1	1.00
37		SS8620610TP		SCREW 3/16-32 L=6						1	
38		SS8660530TP		SCREW 1/4-40 L= 4.5						2	
39		SS8660810TP		SCREW 1/4-40 L=8	FOR PLH-981					1	
40		SS7110710SP		SCREW 11/64-40 L=7	FOR PLH-981					4	



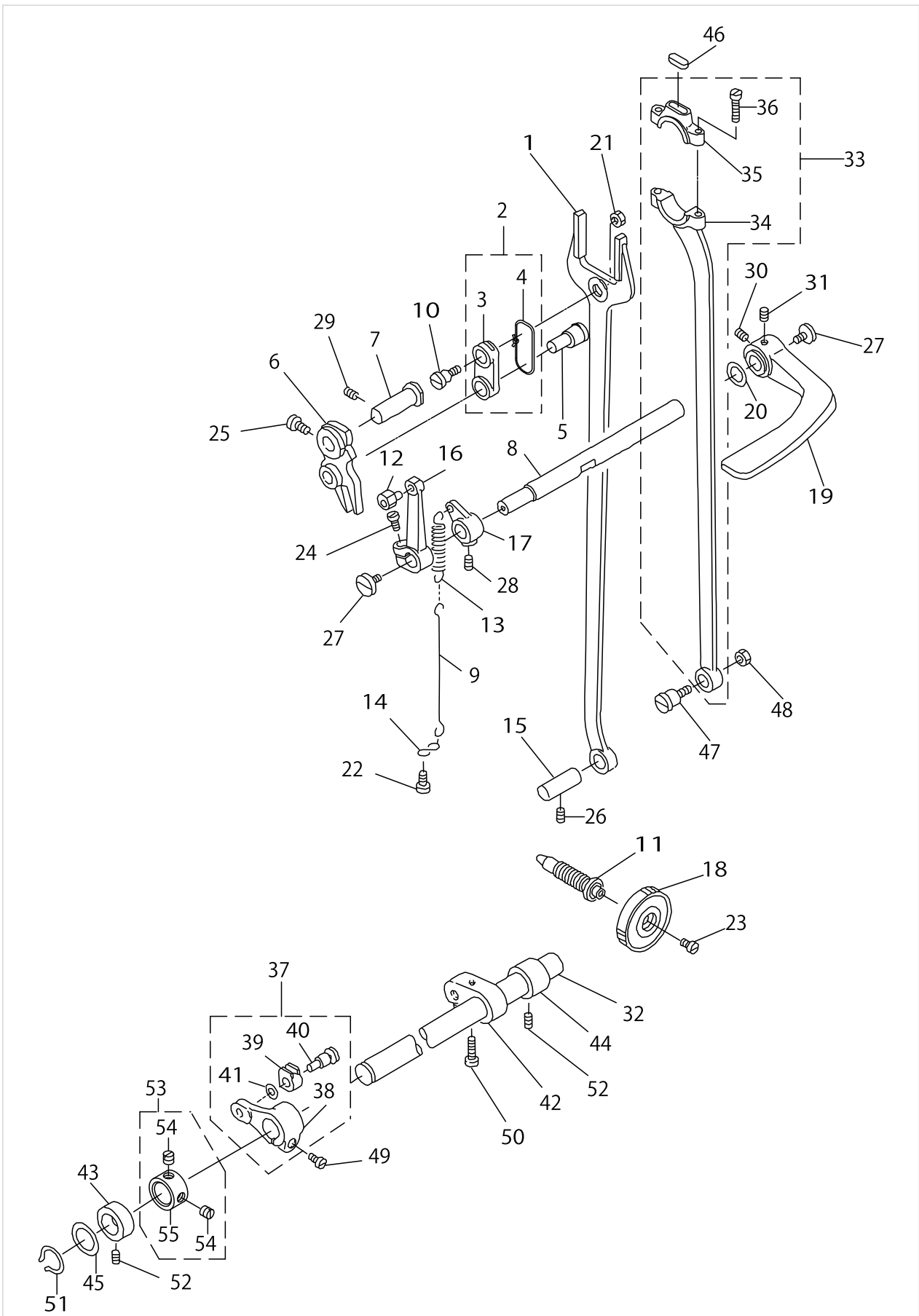
FEED MECHANISM COMPONENTS (2)



FEED MECHANISM COMPONENTS (2)

No.	Supply Code	Parts No.	Replacement	Parts name	Remarks	Choice	Step	Level	Cons	Qty	Rep. QTY
1		21008404		FEED FORKED CONNECTION						1	
2		21008552		LINK ASM.						1	
3	D	21008503		LINK				*		1	
4		CQ200000000		OIL WICK				*		0.23	
5		21008602		LINK SHAFT						1	
6		21020300		FEED REGULATOR	FOR PLH-982					1	
7		B1622555000		HINGE PIN						1	
8		21008800		FEED LEVER SHAFT						1	
9		21008909		SPRING TENSION						1	
10		SD0950802SH		HINGE SCREW D=9.53 H=8						1	
11		40138764		STITCH LENGTH REGULATING SCREW						1	
12		B16331220A0		CRANK SLIDE BLOCK STUD ASM.						1	
13		B1646241H00		TENSION SPRING						1	
14		B1648122000		SUSPENSION HOOK (B)						1	
15		B1611155000A		HINGE STUD FOR PITMAN						1	
16	R	B1627226000	B16272260A0	REVERSE FEED CONTROL LEVER CRANK						1	1.00
17		B1647226000		SUSPENSION BRACKET (A)						1	
18		B1623555A00		FEED REGULATOR DIAL						1	
19		B162458600A		REVERSE FEED CONTROL LEVER						1	
20		WZ1052010KP		WAVED WASHER						1	
21		NS6680410SP		NUT 9/32-28						1	
22		SS7090710SP		SCREW 9/64-40 L=6.8						1	
23		SS6121050SP		SCREW 3/16-28 L=9.5						1	
24		SS6121210SP		SCREW 3/16-28 L=12						1	
25		SS6661110SP		SCREW 1/4-40 L=11						1	
26		SS7110720SP		SCREW 11/64-40 L=7						1	
27		SS7620750SP		SCREW 3/16-32 L=6.5						2	
28	R	SS8150710SP	SS8150710TP	SCREW 15/64-28 L=7						1	1.00
29		SS6151220SP		SCREW 15/64-28 L=11.5						1	
30		SS8660810TP		SCREW 1/4-40 L=8						1	
31		SS8661040TP		SCREW 1/4-40 L=10						1	
32		21009402		FEED SHAFT						1	
33		21009550		ARM ROD ASM.						1	
34	R	21009501	21009550	ARM ROD				*		1	1.00
35	R	21011507	21009550	ARM ROD COVER				*		1	1.00
36		SS6121610TP		SCREW 3/16-28 L=15.5				*		2	
37		21009659		FEED ARM, FRONT ASM.						1	
38		21009600		FEED ARM, FRONT				*		1	
39		B1705155000		FEED DRIVING SLIDE BLOCK				*		1	
40		B1706155000		FEED DRIVING SLIDE BLOCK HINGE				*		1	
41	R	B1707155000	31255300	FEED DRIVING SLIDE BLOCK WASHER				*		1	1.00
42		21009709		FEED ARM, REAR						1	
43		B1604141H00		BUSHING, FRONT						1	
44	D	B1651141H00		BUSHING, INTERMEDIATE						1	
45		B1605201000		METAL WASHER						1	

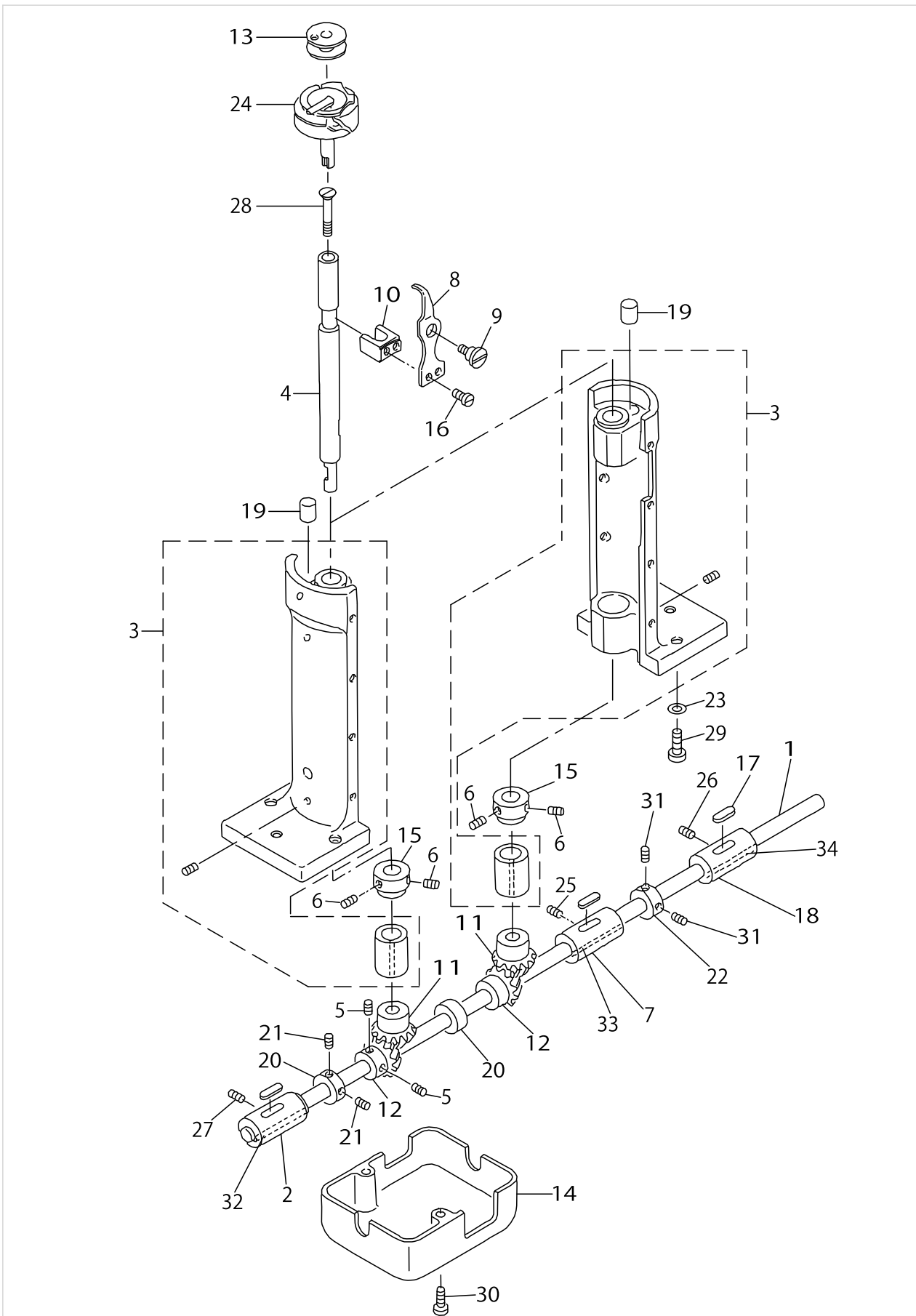
FEED MECHANISM COMPONENTS (2)



FEED MECHANISM COMPONENTS (2)

No.	Supply Code	Parts No.	Replacement	Parts name	Remarks	Choice	Step	Level	Cons	Qty	Rep. QTY
46		B1702012000		OIL FELT						1	
47		SD1020962SP		HINGE SCREW D=10.20 H=9.6						1	
48		NS6680410SP		NUT 9/32-28						1	
49		SS7121410TP		SCREW 3/16-28 L=14						1	
50		SS6151920SP		SCREW 15/64-28 L=19.0						1	
51		RC0150001KP		RETAINING RING 13.8						1	
52	R	SS8150710SP	SS8150710TP	SCREW 15/64-28 L=7						2	1.00
53		22904155		MAIN SHAFT THRU-ST COLLAR ASM.						1	
54		SS8660610TP		SCREW 1/4-40 L=6				*		2	
55	R	22904106	22904155	MAIN SHAFT THRUST COLLAR				*		1	1.00

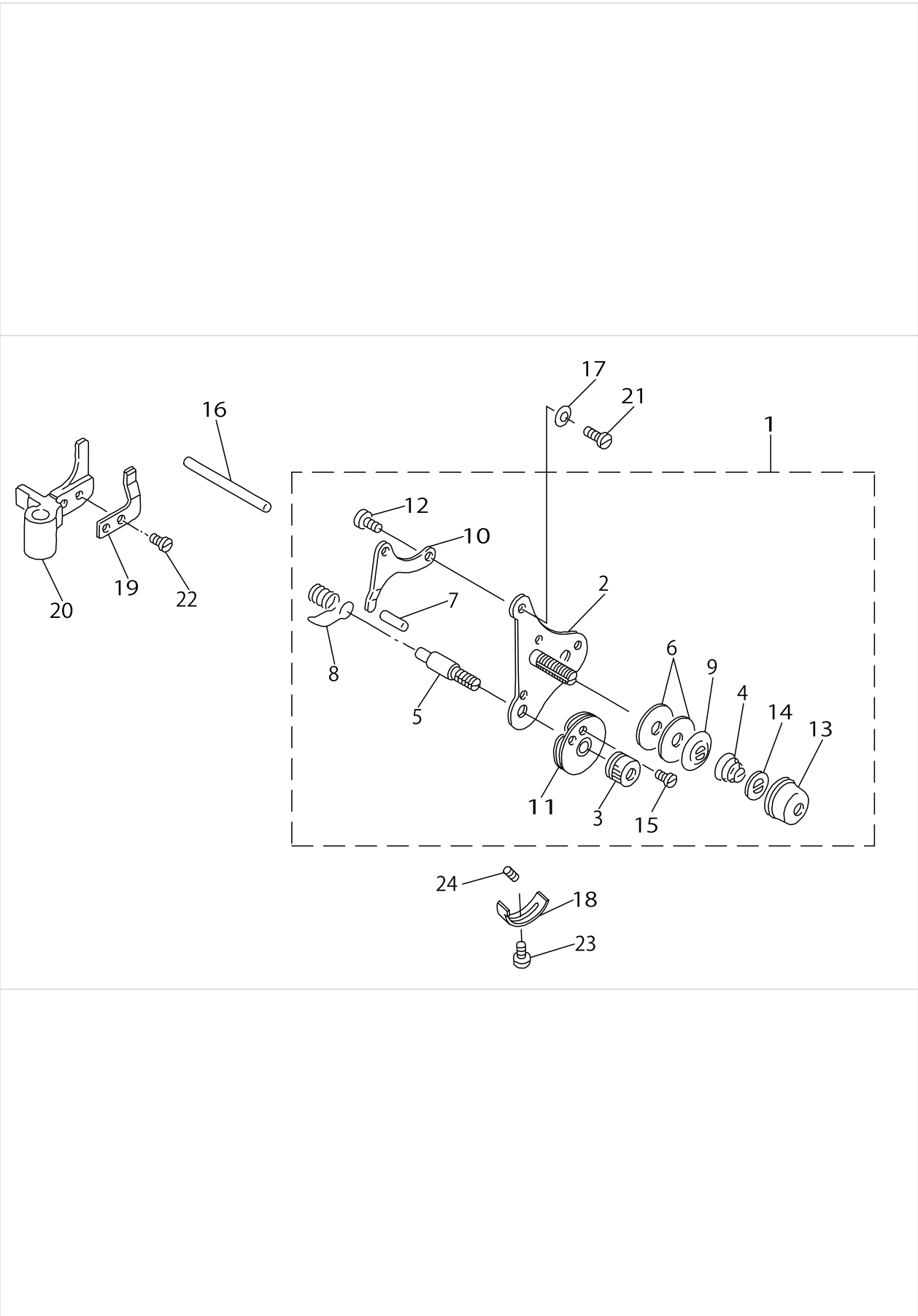
HOOK DRIVING SHAFT & HOOK COMPONENTS



HOOK DRIVING SHAFT & HOOK COMPONENTS

No.	Supply Code	Parts No.	Replacement	Parts name	Remarks	Choice	Step	Level	Cons	Qty	Rep. QTY
1		21009808		DRIVING SHAFT						1	
2		21009907		DRIVING SHAFT BUSHING, FRONT						1	
3		40022417		HOOK SADDLE ASM.	1 PIECE U- SE FOR PLH-981					2	
4		21010301		HOOK SHAFT	1 PIECE U- SE FOR PLH-981					2	
5		SS8660610TP		SCREW 1/4-40 L=6	4 PIECES USE FOR PLH-981					8	
6		SS8110520TP		SCREW 11/64-40 L= 4.5	2 PIECES USE FOR PLH-981					4	
7		21010004		DRIVING SHAFT BUSHING, REAR						1	
8		21010509		GUIDE	1 PIECE U- SE FOR PLH-981					2	
9		21010608		HINGE SCREW	1 PIECE U- SE FOR PLH-981					2	
10		21010707		GUIDE FORK	1 PIECE U- SE FOR PLH-981					2	
11		21010806		HOOK SHAFT GEAR	1 PIECE U- SE FOR PLH-981					2	
12		21010905		HOOK SHAFT GEAR	1 PIECE U- SE FOR PLH-981					2	
13		B9117051000		BOBBIN	1 PIECE U- SE FOR PLH-981					2	
14		21011002		GEAR CASE						1	
15		21011101		THRUST COLLAR	1 PIECE U- SE FOR PLH-981					2	
16		21011200		SCREW	2 PIECES USE FOR PLH-981					4	
17		B1806038000		OIL FELT						3	
18	D	B1804201000		HOOK DRIVING SH- AFT BUSHING, REAR						1	
19		21011309		FELT	1 PIECE U- SE FOR PLH-981					2	
20		CS0790721TH		THRUST COLLAR D=7.94 W=7	1 PIECE U- SE FOR PLH-981					2	
21		SS8090410SP		SCREW 9/64-40 L=3.5	2 PIECES USE FOR PLH-981					4	
22		CS0791016SH		THRUST HOLDER D=7.94 W=10						1	
23		WS0822010KP		SPRING WASHER 8.2X15X2	2 PIECES USE FOR PLH-981					4	
24		21010251		ROTATING HOOK ASM.	1 PIECE U- SE FOR PLH-981					2	
25	R	SS8150710SP	SS8150710TP	SCREW 15/64-28 L=7						1	1.00
26	R	SS8151150SP	SS8151150TP	SCREW 15/64-28 L=10.5						1	1.00
27	R	SS8151150SP	SS8151150TP	SCREW 15/64-28 L=10.5						1	1.00
28		SS1092810SP		SCREW 9/64-40 L=25.4	1 PIECE U- SE FOR PLH-981					2	
29		SS7702610SP		SCREW A	2 PIECES USE FOR PLH-981					4	
30		SS7112420SP		SCREW 11/64-40 L=24						2	
31	R	SS8110510SP	SS8110520TP	SCREW 11/64-40 L=5						2	1.00
32		CQ202000000		OIL WICK						.1	
33		CQ202000000		OIL WICK						.1	
34		CQ202000000		OIL WICK						.1	

THREAD TENSION COMPONENTS (PLH-981)

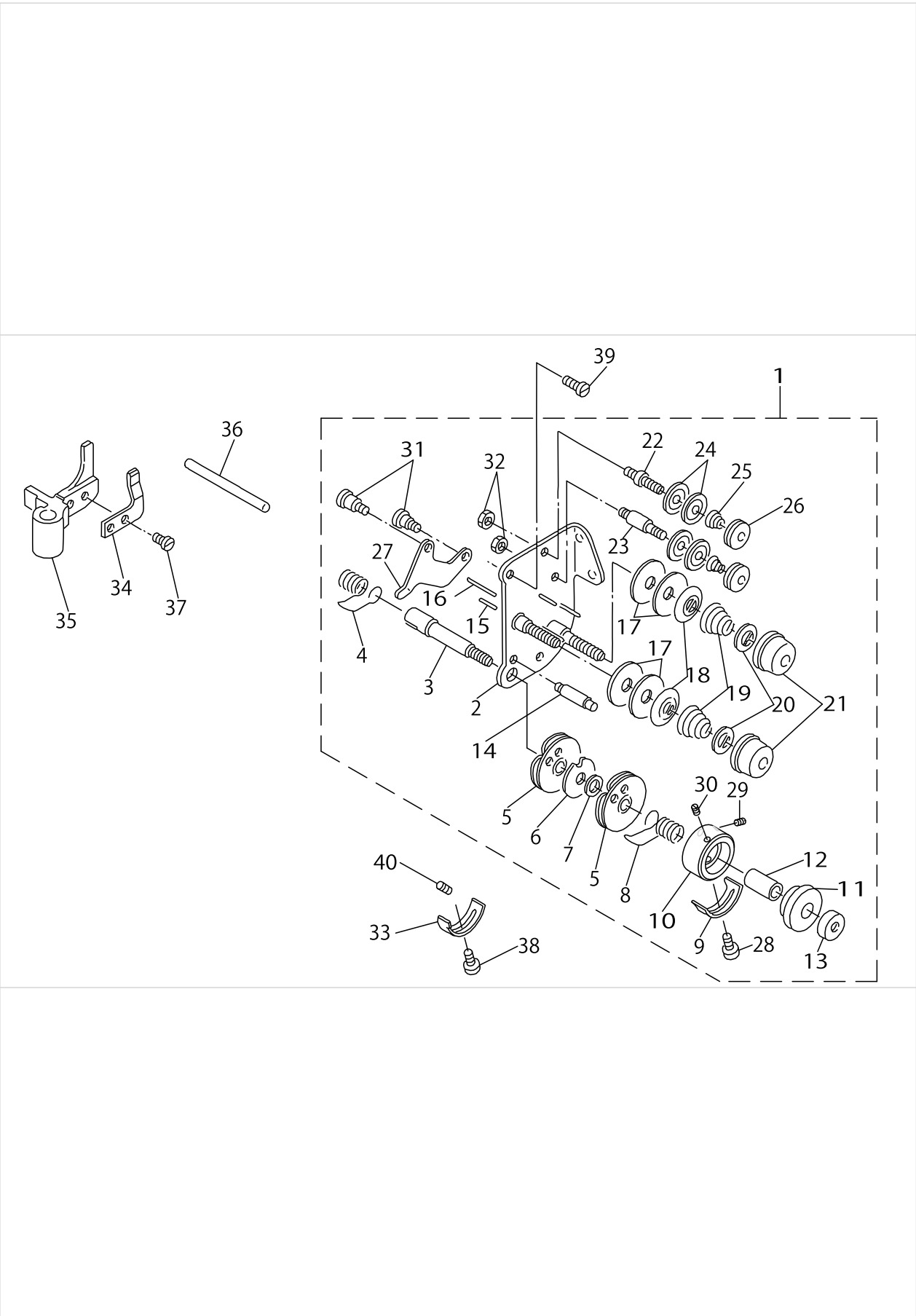


THREAD TENSION COMPONENTS (PLH-981)

No.	Supply Code	Parts No.	Replacement	Parts name	Remarks	Choice	Step	Level	Cons	Qty	Rep. QTY
1		21011663		THREAD TENSION ASM.						1	
2	D	21011655		THREAD TENSION BRACKET				*		1	
3	R	B3125012000	22928808	THREAD TENSION NUT				*		1	1.00
4		B3129012A00		TENSION SPRING				*		1	
5		B3123051000		TAKE-UP SPRING STUD				*		1	
6		B3126051000		TENSION DISC				*		2	
7		B3127051000		TENSION RELEASE PIN, SHORT				*		1	
8		B3128051000		THREAD TAKE-UP SPRING, A				*		1	
9		B3132051000		TENSION DISC HOLDER				*		1	
10	D	B3134051000		TENSION RELEASE LEVER				*		1	
11		B31370510A0		TAKE-UP SPRING GUIDE DISC ASM.				*		1	
12		SD0470281SP		HINGE SCREW D=4.7 H=2.8				*		2	
13		B3116125000		TENSION NUT				*		1	
14		B3120125000		ROTATING STOPPER				*		1	
15		SS4080620TP		SCREW 1/8-44 L=6				*		1	
16	D	10524403		TENSION RELEASE ROD						1	
17		B3125155000		DISK SPRING						1	
18		B3138512000		TAKE-UP SPRING A- DJUSTING PLATE						1	
19	D	10525400		RELEASE PLATE						1	
20		B3141512000A		MOUNTING BASE						1	
21		SD0600271SP		HINGE SCREW D=6 H=2.7						1	
22		SS4110910TP		SCREW 11/64-40 L=9						2	
23	R	SS7090520SP	SS7090520TP	SCREW 9/64-40 L=4.5						1	1.00
24		SS8111251SP		SCREW 11/64-40 L=12.0						1	



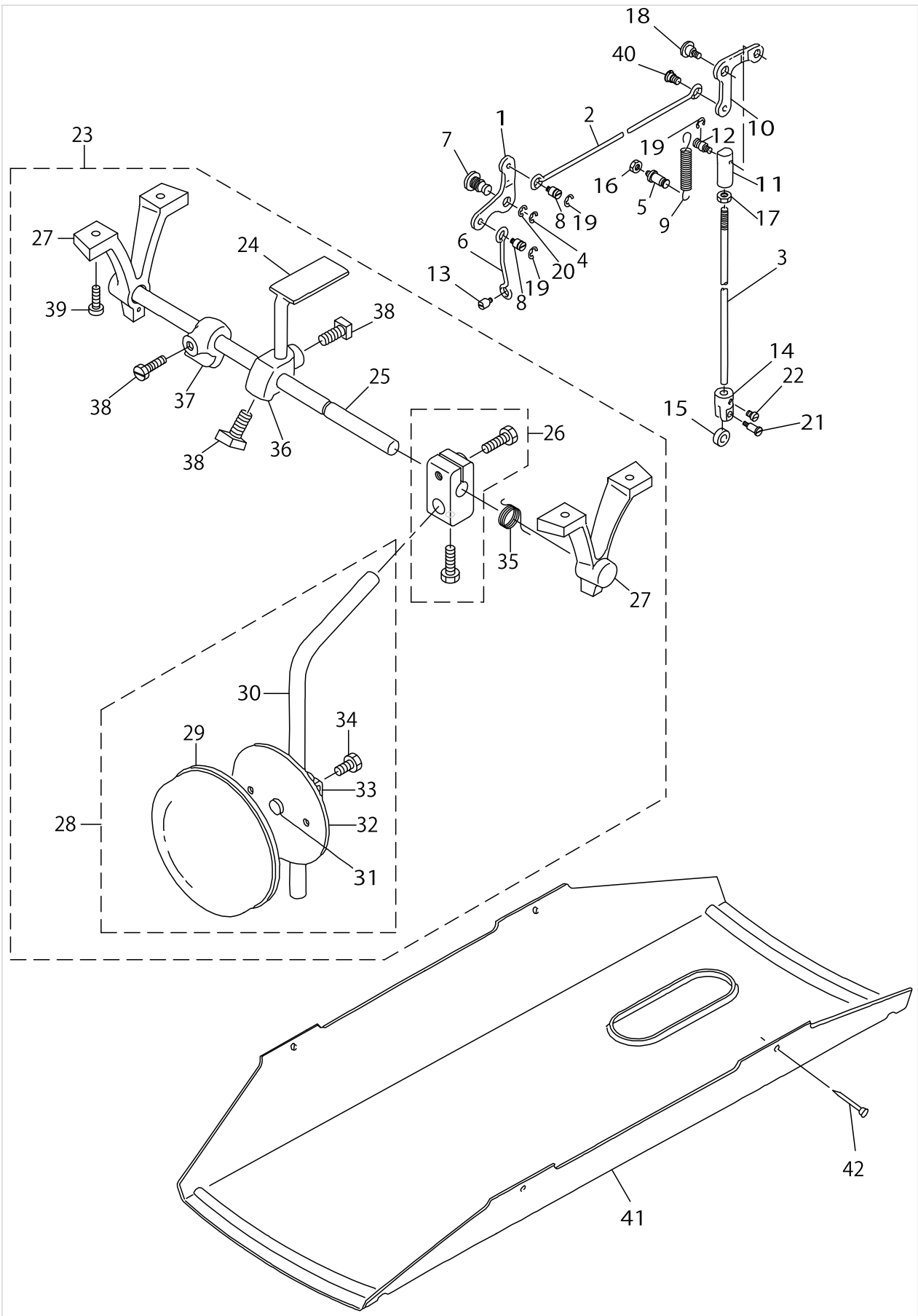
THREAD TENSION COMPONENTS (PLH-982)



THREAD TENSION COMPONENTS (PLH-982)

No.	Supply Code	Parts No.	Replacement	Parts name	Remarks	Choice	Step	Level	Cons	Qty	Rep. QTY
1		21020557		THREAD TENSION ASM.						1	
2		10124055		TENSION POST ASM.				*		1	
3	D	B3123527000		THREAD TAKE-UP SPRING STUD				*		1	
4		B3128051000		THREAD TAKE-UP SPRING, A				*		1	
5		B31375270A0		TAKE-UP SPRING GUIDE ASM.				*		2	
6		B3142527000		TAKE-UP SPRING GUIDE PLATE				*		1	
7		B3139527000		COLLAR				*		1	
8		B3128527000		THREAD TAKE-UP SPRING B				*		1	
9		B3138527000		ADJUSTING PLATE B				*		1	
10		22617609		THREAD TENSION POST				*		1	
11		B3125527000		TAKE-UP SPRING GUIDE				*		1	
12		B3141527000		PRESSER COLLAR				*		1	
13	R	B3125012000	22928808	THREAD TENSION NUT				*		1	1.00
14		B3143527000		TAKE-UP SPRING GUIDE STUD				*		1	
15		B3127051000		TENSION RELEASE PIN, SHORT				*		1	
16		B3127527000		PIN B				*		1	
17		B3126051000		TENSION DISC				*		4	
18		B3132051000		TENSION DISC HOLDER				*		2	
19		B3129012A00		TENSION SPRING				*		2	
20		B3120125000		ROTATING STOPPER				*		2	
21		B3116125000		TENSION NUT				*		2	
22		10124204		THREAD TENSION POST, A				*		1	
23		10124303		THREAD TENSION POST, B				*		1	
24	R	B3214047000	22945802	BOBBIN WINDER TENSION DISC				*		4	1.00
25		D3168555H0B		TENSION SPRING NO.1				*		2	
26		B3216047000		BOBBIN WINDER TENSION NUT				*		2	
27		B3134521000		TENSION RELEASE LEVER				*		1	
28	R	SS7090520SP	SS7090520TP	SCREW 9/64-40 L=4.5				*		1	1.00
29	R	22618904	SM8030500SP	SET SCREW				*		1	1.00
30	R	22618904	SM8030500SP	SET SCREW				*		1	1.00
31		SD0470281SP		HINGE SCREW D=4.7 H=2.8				*		2	
32		NS6110310SP		NUT 11/64-40				*		2	
33		B3138512000		TAKE-UP SPRING A- DJUSTING PLATE						1	
34	D	10525400		RELEASE PLATE						1	
35		B3141512000A		MOUNTING BASE						1	
36	D	10524403		TENSION RELEASE ROD						1	
37		SS4110910TP		SCREW 11/64-40 L=9						2	
38	R	SS7090520SP	SS7090520TP	SCREW 9/64-40 L= 4.5						1	1.00
39		SS7110710SP		SCREW 11/64-40 L=7						1	
40		SS8111251SP		SCREW 11/64-40 L=12.0						1	

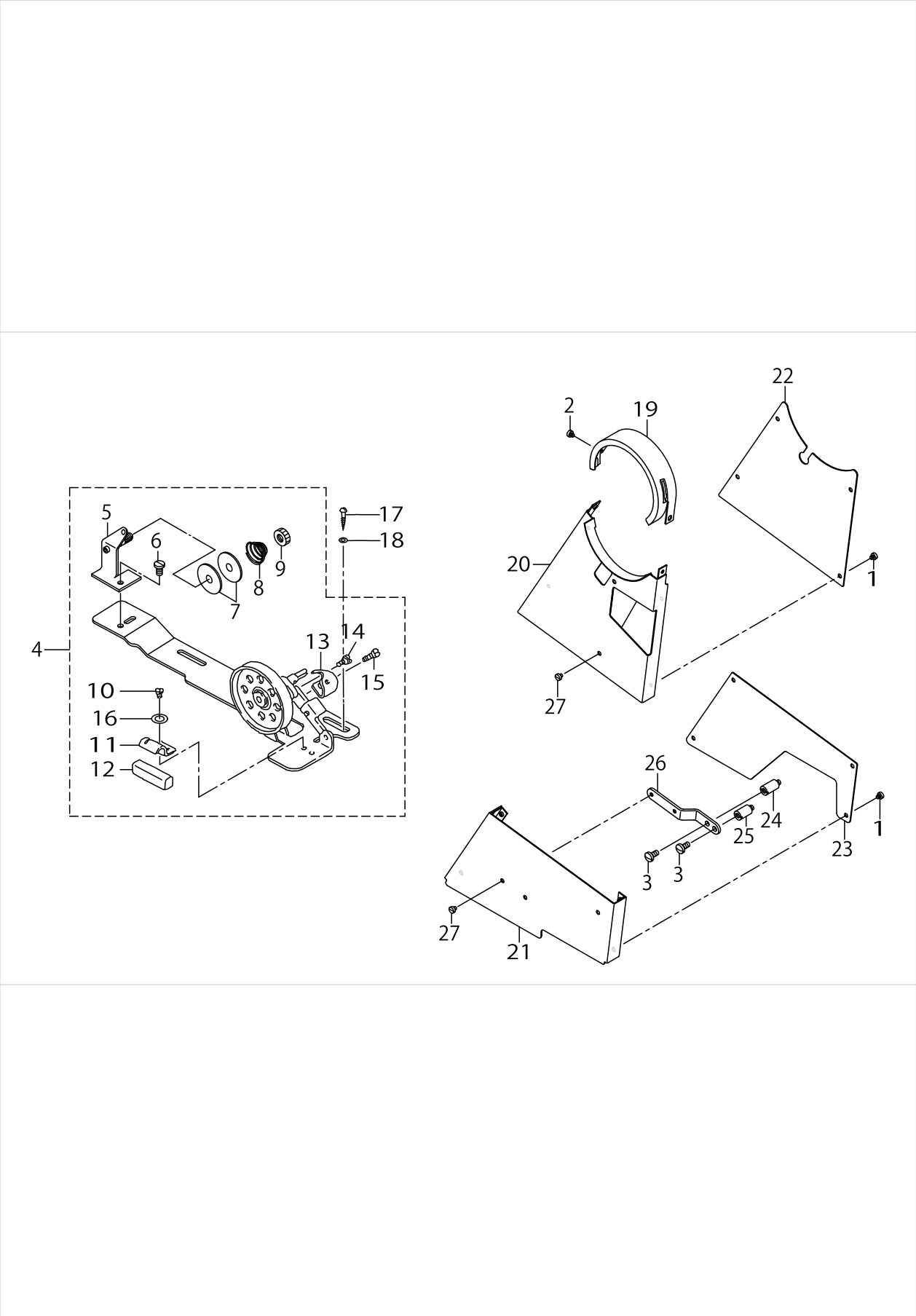
KNEE LIFTER & OIL PAN COMPONENTS



KNEE LIFTER & OIL PAN COMPONENTS

No.	Supply Code	Parts No.	Replacement	Parts name	Remarks	Choice	Step	Level	Cons	Qty	Rep. QTY
1		21011705		PRESSER BAR LIFTING ARM						1	
2		21011804		LIFTER SIDE CONNECTING BAR						1	
3		21011903		KNEE LIFTER ADJUSTING BAR						1	
4		B1523226000		SNAP RING						1	
5		B3413227000		SPRINGSUSPENSION						1	
6		21012000		PRESSER BAR LIFTING BAR						1	
7		B1517552000		HINGE PIN						1	
8		B3416552000		CONNECTING ROD HINGE SCREW						2	
9		B3417552000		LIFTING LEVER LINK SPRING						1	
10		B3414555000		LIFTING LEVER LINK ARM						1	
11		B3416555000		SWIVEL						1	
12		B3418555000		SWIVEL SCREW						1	
13		B1519581000		HINGE SCREW						1	
14		B3416051000		REAR LIFTING BAR ROLLER HOLDER						1	
15		B3417051000		REAR LIFTING BAR ROLLER						1	
16		NS6110310SP		NUT 11/64-40						1	
17		NS6620310SP		NUT 3/16-32						1	
18		SD0720331SP		HINGE SCREW D=7.24 H=3.3						1	
19		RE0500000K0		E-RING						3	
20		RE0600000K0		E-RING 6						1	
21		SD0550801SP		HINGE SCREW D=5.50 H=8.0						1	
22		SS7110510SP		SCREW 11/64-40 L=5						1	
23		21015656		KNEE LIFTER ASM.						1	
24		21015607		ARM				*		1	
25		B3420141H0A		MAIN SHAFT				*		1	
26		22932453		BRACKET ASM.				*		1	
27		40032132		SUPPORT				*		1	
28		22934251		KNEE PAD PLATE ASM.				*		1	
29		22934509		KNEE PAD PLATE COVER				*		1	
30		22934608		KNEE PAD UPRIGHT SHAFT				*		1	
31		22934400		KNEE PAD PLATE RUBBER				*		1	
32		22934202		KNEE PAD PLATE				*		1	
33		22934301		KNEE PAD PLATE SUPPORT				*		1	
34		SM9061203SE		SCREW M6 L=12				*		1	
35		40130335		KNEE TOP ROTARY SPRING				*		1	
36		B3424141H00		MOUNTING BRACKET				*		1	
37		B3434141H00		BRACKET				*		1	
38	R	B3425141H00	SS9201813CP	MOUNTING BRACKET SET SCREW				*		3	1.00
39		SK3483200SE		WOOD SCREW D=4.8 L=32				*		4	
40		22908909		HINGE SCREW						1	
41		21015706		OIL PAN						1	
42		10539906		SET NAIL						4	

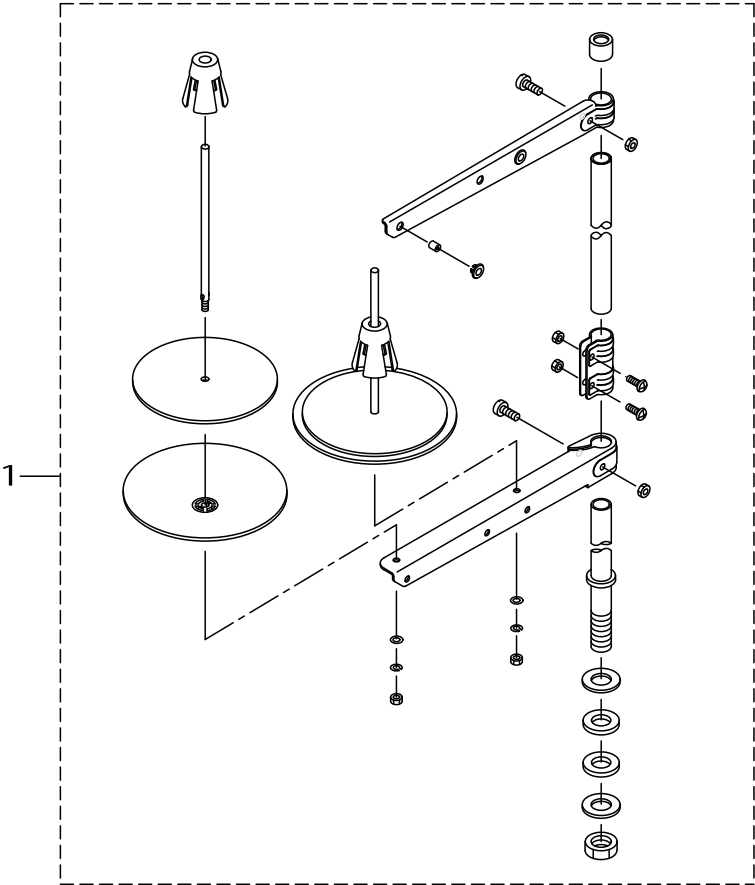
BELT COVER & BOBBIN WINDER COMPONENTS



BELT COVER & BOBBIN WINDER COMPONENTS

No.	Supply Code	Parts No.	Replacement	Parts name	Remarks	Choice	Step	Level	Cons	Qty	Rep. QTY
1		SS6110480SP		SCREW 11/64-40 L=4.3						8	
2		SS6110480SP		SCREW 11/64-40 L=4.3						2	
3		SS7151210SP		SCREW15/64-28L=12						2	
4	R	11077567	22927354	BOBBIN WINDER COMPL.						1	1.00
5		11078250		THREAD TENSION BRACKET ASM.				*		1	
6		SS7110840SP		SCREW 11/64-40 L=7.8				*		1	
7	R	B3126012000	22921506	THREAD TENSION DISK				*		2	1.00
8	R	B3129012B00	22929004	THREAD TENSION SPRING				*		1	1.00
9	R	B3125012000	22928808	THREAD TENSION NUT				*		1	1.00
10		SS4110515SP		SCREW 11/64-40 L=5				*		1	
11		11078102		PRESSER PLATE				*		1	
12		B3211555000		RUBBER BRAKE				*		1	
13		11078003		POSITIONINGFINGER				*		1	
14		SD0490261SP		HINGE SCREW D=4.9 H=2.6				*		1	
15		SS7081310SP		SCREW 1/8-44 L=12.5				*		1	
16		WP0480856SP		WASHER 4.8X8.4X0.8				*		1	
17	R	SK3482500SC	SK3482501SE	WOOD SCREW D=4.8 L=25						2	1.00
18		WP0501016SC		WASHER 5X10.5X1						2	
19	D	21013685		TOP COVER ASM. WITH LABEL						1	
20		21003561		BELT COVER UNIT (UPPER) ASM.						1	
21		21003660		BELT COVER UNIT (LOWER) ASM.						1	
22		21004809		BELT COVER LID (UPPER)						1	
23		21004908		BELT COVER LID (LOWER)						1	
24		21013701		BELT COVER STUD A						1	
25		21013800		BELT COVER STUD B						1	
26		21013909		BELT COVER SUPPORT PLATE						1	
27		SS6110480SP		SCREW 11/64-40 L=4.3						5	

THREAD STAND COMPONENTS (PLH-981)

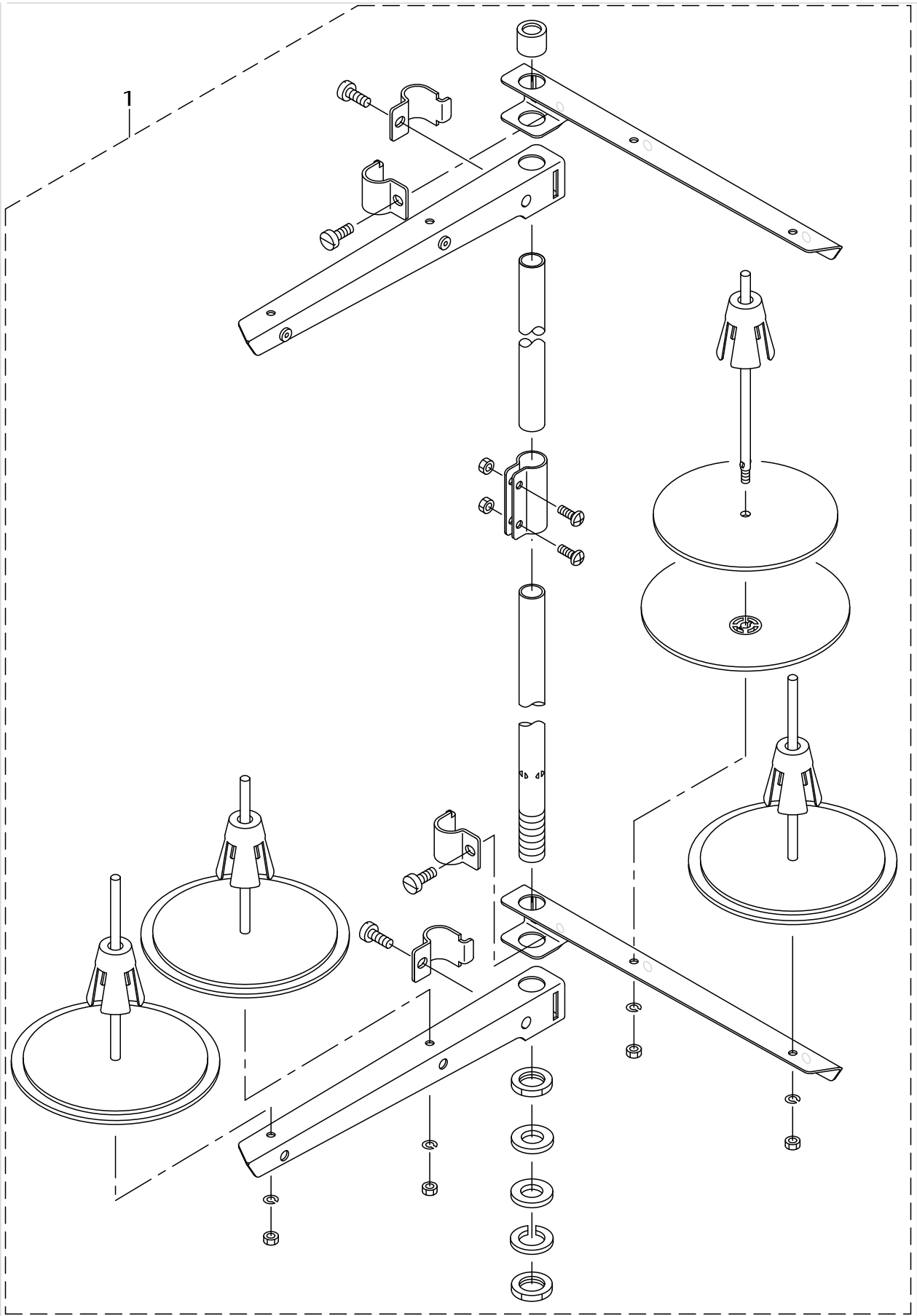


THREAD STAND COMPONENTS (PLH-981)

No.	Supply Code	Parts No.	Replacement	Parts name	Remarks	Choice	Step	Level	Cons	Qty	Rep. QTY
1		40096354		THREAD STAND ASM.						1	



THREAD STAND COMPONENTS (PLH-982)



THREAD STAND COMPONENTS (PLH-982)

No.	Supply Code	Parts No.	Replacement	Parts name	Remarks	Choice	Step	Level	Cons	Qty	Rep. QTY
1		26910158		THREAD STANDING DEVICE ASM.						1	

TABLE COMPONENTS

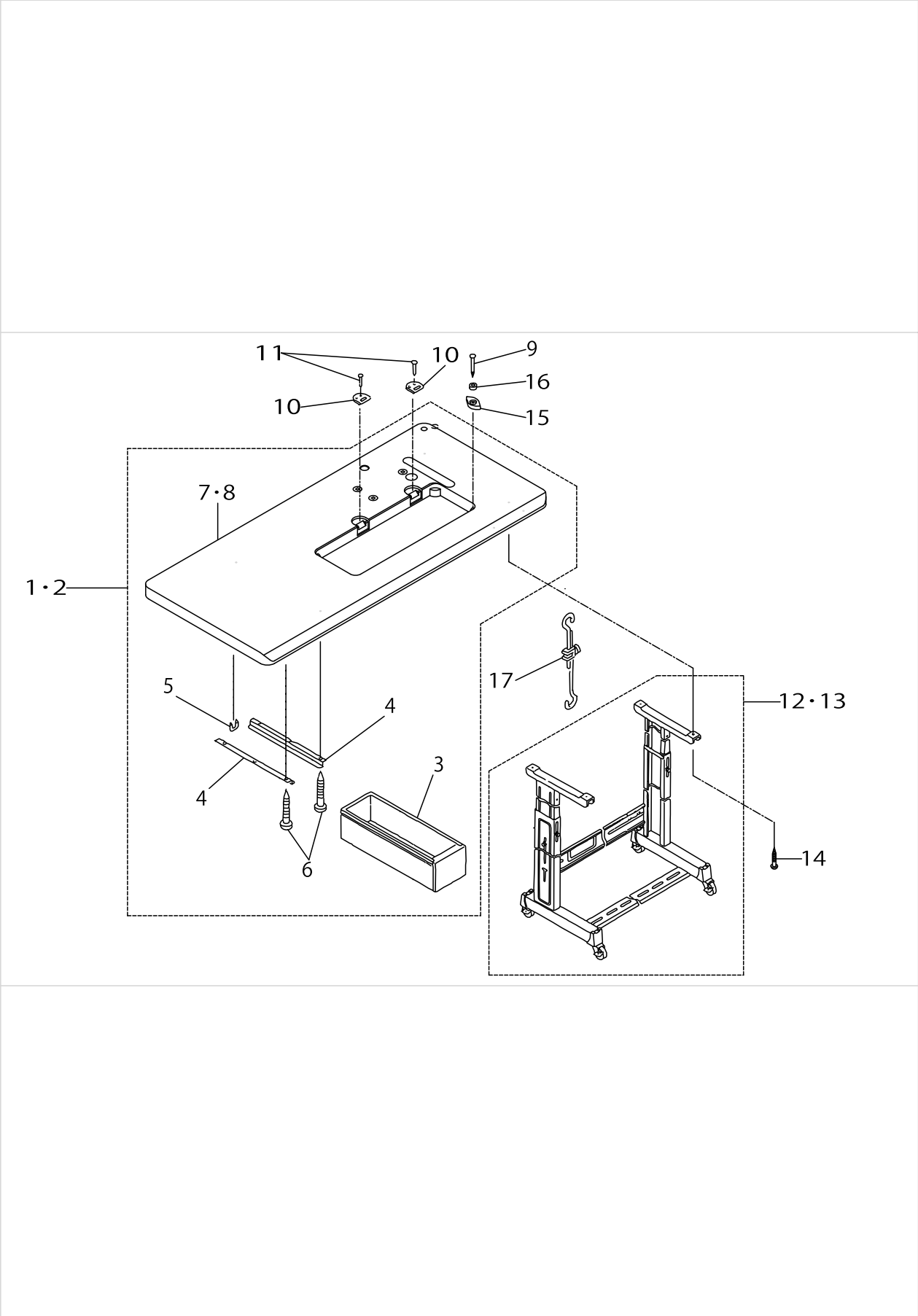
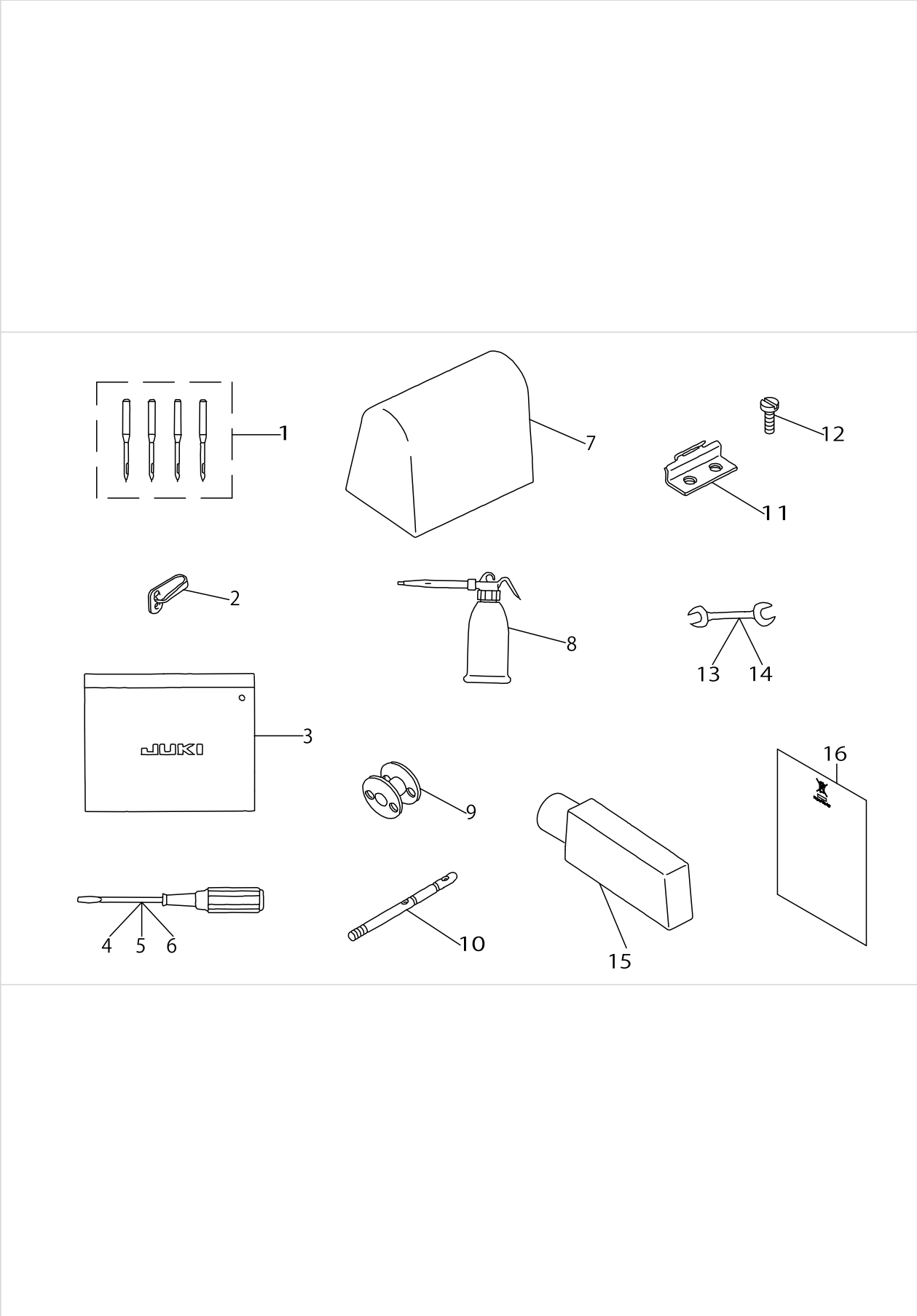


TABLE COMPONENTS

No.	Supply Code	Parts No.	Replacement	Parts name	Remarks	Choice	Step	Level	Cons	Qty	Rep. QTY
1		21014154		TABLE ASM.						1	
2		21014451		TABLE ASM.						1	
3	R	11155108	11155157	DRAWER				*		1	1.00
4		11155207		DRAWER SUPPORT				*		2	
5		D8204555D00		DRAWER STOPPER				*		1	
6		SK3311600SE		WOOD SCREW D=3.1 L=16				*		6	
7		21014105		TABLE				*		1	
8		21014402		TABLE				*		1	
9		10539906		SET NAIL						4	
10		B8212051000		BED HINGE						2	
11		SK1552500SC		WOOD SCREW D=5.5 L=25						4	
12		11159365		T STAND JUNCTION						1	
13		11157567		T LEG JUNCTION						1	
14	R	SK3513200SC	SK3513201SE	WOOD SCREW D=5.1 L=32						4	1.00
15		B8209012000		RUBBER CUSHION						4	
16		B8206012000		FELT CUSHION						4	
17		B71140120A0		MOTOR CONNECTING ROD ASM.						1	

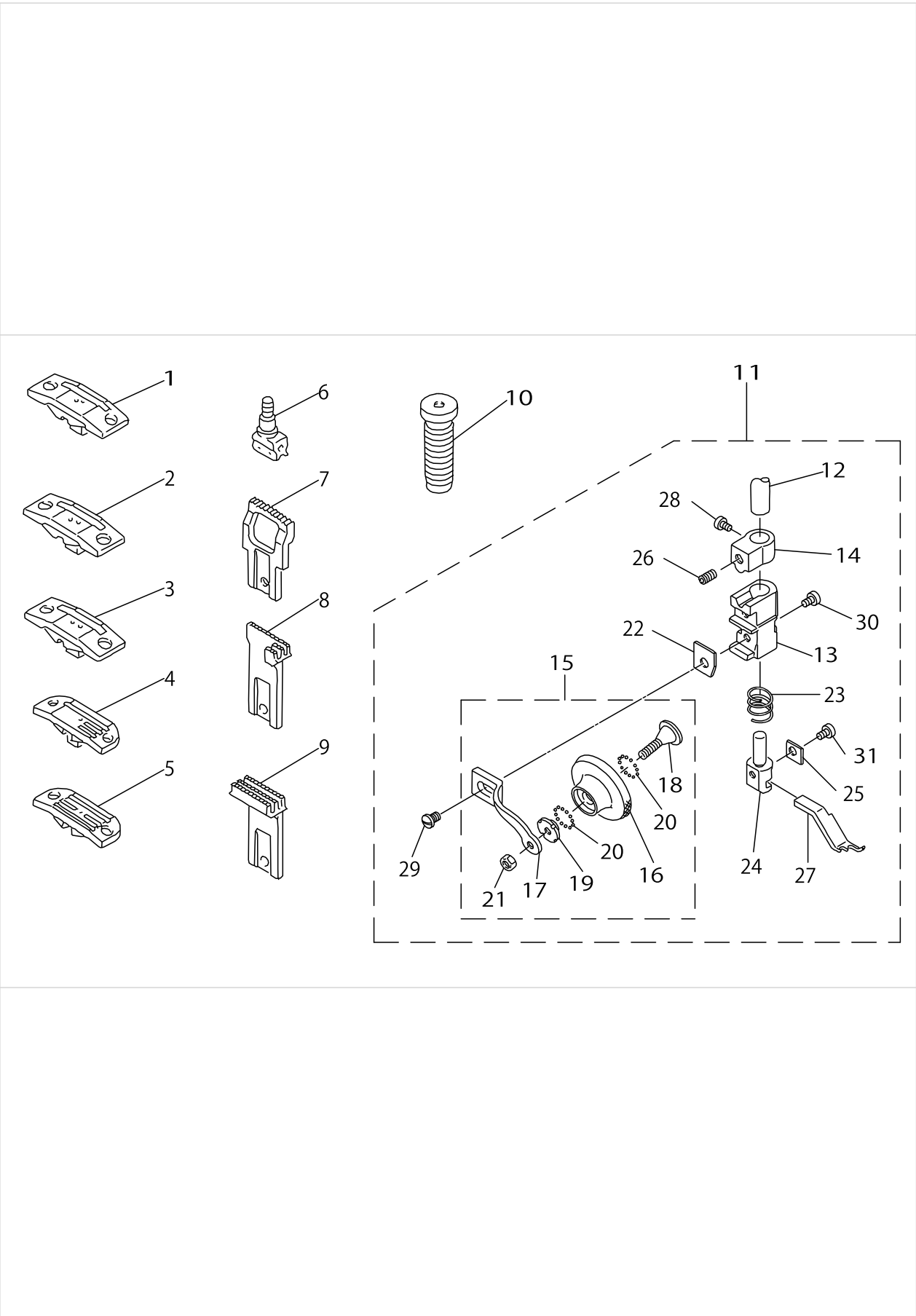
ACCESSORIES PARTS COMPONENTS



ACCESSORIES PARTS COMPONENTS

No.	Supply Code	Parts No.	Replacement	Parts name	Remarks	Choice	Step	Level	Cons	Qty	Rep. QTY
1		MDP500B1802		NEEDLE DPX5#18-2						2	
2		10101400		THREAD GUIDE, C						1	
3		22932800		ACCESSORIE BAG						1	
4		22933006		SCREW DRIVER, LARGE						1	
5		22933105		SCREW DRIVER,MIDDLE						1	
6		22933204		SCREW DRIVER,SMALL						1	
7		40048536		HEAD_COVER						1	
8		B9121141HA0		OILER ASM.						1	
9		B9117051000		BOBBIN						4	
10		B1114051000		NEEDLE THREAD GUIDE PIN						1	
11		B8213051000		BED HINGE CONNECTION						2	
12	D	SS1680910SP		SCREW						4	
13	R	B9112012000	26034702	WRENCH (11X14)						1	1.00
14		B9113012000		WRENCH (9X10)						1	
15		10528800		FRAME SUPPORT BAR						1	
16		CM600100201		WEEE INFORMATION SHEET						1	

GAUGE PARTS COMPONENTS



GAUGE PARTS COMPONENTS

No.	Supply Code	Parts No.	Replacement	Parts name	Remarks	Choice	Step	Level	Cons	Qty	Rep. QTY
1		21016100		NEEDLE PLATE 1.6 1/16	FOR PLH-982					1	
2	D	21016209		NEEDLE PLATE 2.0 5/64	FOR PLH-982					1	
3		21016308		NEEDLE PLATE 1.2 3/64	FOR PLH-982					1	
4		21000401		NEEDLE PLATE	FOR PLH-981					1	
5		21000500		NEEDLE PLATE	FOR PLH-981					1	
6		21017405		NEEDLE STOPPER 1.6 1/16	FOR PLH-982					1	
7		21021100		FEEDER 1.6 1/16	FOR PLH-982					1	
8		21007406		FEEDER	FOR PLH-981					1	
9		21007505		FEEDER	FOR PLH-981					1	
10		B1509141H00		PRESSER SPRING REGULATOR						1	
11		21020060		PRESSER BAR ASM. 1/16	FOR PLH-982					1	
12	R	21003207	21003256	PRESSER BAR				*		1	1.00
13	D	21004205		PRESSER BASE				*		1	
14	D	21004304		STOPPER				*		1	
15		21005459		ROLLER PRESSER ASM.				*		1	
16		21005400		ROLLER				*		1	
17		21005509		ROLLER HOLDER				*		1	
18		21005608		ROLLER STOPPER				*		1	
19		21005707		BALL SEAT NUT				*		1	
20		21005806		BEARING BALL				*		24	
21	R	21005905	NS6120310SP	ROLLER STOPPER NUT				*		1	1.00
22		21020003		WASHER				*		1	
23		21004403		BASE SPRING				*		1	
24		21020102		LOWER NEEDLE GUIDE SUPPORT				*		1	
25		21020201		GUIDE SUPPORT PLATE				*		1	
26	R	SS8150710SP	SS8150710TP	SCREW 15/64-28 L=7				*		1	1.00
27		21018908		NEEDLE GUIDE 1.6 1/16				*		1	
28		21004601		SCREW				*		1	
29		21020706		SCREW				*		1	
30		SS6080360SP		SCREW				*		2	
31		21020607		SCREW				*		1	



TABLE OF GAUGE FOR PLH-982





品名		1		2		3		4		5	
		Gauge set		Throat plate		Needle clamp		Feed dog		Needle guide	
		ゲージセット		針板		針留		送り歯		針案内	
Needle gauge size 針幅											
ゲージ記号											
inch	mm	Ref. No.	Part.No.	Ref. No.	Part.No.	Ref. No.	Part.No.	Ref. No.	Part.No.	Ref. No.	Part.No.
3/64	1.2	1	21016357	5	21016308	9	21017405	13	21021100	17	21018908
1/16	1.6	2	21016159	6	21016100	10	21017405	14	21021100	18	21018908
5/64	2	3	21016258	7	21016209	11	21017504	15	21021209	19	21018809
3/32	2.4	4	21016050	8	21016019	12	21017504	16	21021308	20	21018809

TABLE OF GAUGE FOR PLH-982

No.	Supply Code	Parts No.	Replacement	Parts name	Remarks	Choice	Step	Level	Cons	Qty	Rep. QTY
1		21016357		GAUGE SET 1.2MM						1	
2		21016159		GAUGE SET 1.6MM						1	
3		21016258		GAUGE SET 2MM						1	
4		21016050		GAUGE SET 2.4MM						1	
5		21016308		NEEDLE PLATE 1.2 3/64						1	
6		21016100		NEEDLE PLATE 1.6 1/16						1	
7	D	21016209		NEEDLE PLATE 2.0 5/64						1	
8		21016019		THROAT PLATE 2.4 (3/32)						1	
9		21017405		NEEDLE STOPPER 1.6 1/16						1	
10		21017405		NEEDLE STOPPER 1.6 1/16						1	
11		21017504		NEEDLE CLAMP 2.4 3/32						1	
12		21017504		NEEDLE CLAMP 2.4 3/32						1	
13		21021100		FEEDER 1.6 1/16						1	
14		21021100		FEEDER 1.6 1/16						1	
15		21021209		FEEDER 2.4 3/32						1	
16		21021308		FEED DOG 2.4 (3/32)						1	
17		21018908		NEEDLE GUIDE 1.6 1/16						1	
18		21018908		NEEDLE GUIDE 1.6 1/16						1	
19		21018809		NEEDLE GUIDE 3/32						1	
20		21018809		NEEDLE GUIDE 3/32						1	

LIST FOR INFORMATION OF CHANGE

As to the place changed, refer to the corresponding Rev.No.  
 When previous parts(Obsoleted part)and new parts(Added parts)are  
 not interchangeable with each other:  
 In this case,even obsoleted parts(D.)can be ordered with the  
 obsoleted part number,so select the parts with changed dates and  
 place your orders.

変更箇所は、該当Rev.No.版をご参照ください。  
 部品の互換性がない変更の場合は、削除された品番でも、ご注文できます。

19591908  
 No.0528-06 Rev.No.

\*A:Added parts追加部品/D:Obsoleted parts削除部品/E:Erratum訂正

* Rev. No.	Page 頁	Ref. No.	Parts No. 品番	* Rev. No.	Page 頁	Ref. No.	Parts No. 品番
D 05	5	9	B1309-115-000	A 06	5	9	B1307-271-0A0
				A 06	5	22	SM-6051410-SC
D 05	10	18	118-47308	A 06	10	18	B1602-141-H00
D 05	12	11	B1634-141-H00	A 06	12	11	401-38764
D 05	14	4	210-12109				
D 05	14	5	SS-8111010-TP				
D 05	14	6	CQ-2020000-00				
D 05	14	7	210-10400				
D 05	18	26	B3433-141-H0A				
D 05	18	35	B3435-141-H00	A 06	18	35	401-30335
D 05	18	39	SS-9182010-SN				
				A 06	18	26	229-32453
D 05	19	1	B8231-141-HA0				
D 05	19	2	B8231-092-000				
D 05	19	3	SS-6151440-SP				
D 05	20	1	229-30358	A 06	20	1	400-96354
D 05	20	-	No.2~No.20				
D 05	22	-	No.2~No.20				
D 05	24	1	MDP-500B1804	A 06	24	1	MDP-500B1802
D 05	24	3	B9101-552-000	A 06	24	3	229-32800
D 05	24	5	B9110-012-000	A 06	24	5	229-33105
D 05	24	6	B9111-012-000	A 06	24	6	229-33204

## HOW TO MAKE USE OF THIS PARTS LIST

### 1.Explanation of codes

1)"\*"mark.....means this part is changed from the previous parts book.

As to the details of the change, refer to the "List for information of change".

2)"#01".....refer to "Note" explanation at bottom of page.

### 2.Codes on the "Qty" column

• Each numeral indicates the number of parts required.

• "0.1" and "2.5" indicate the length (in meters) of the respective parts.

3.Parentheses mean that the corresponding part is a subpart that constructs an assembly part.

4.Dotted lines on the Figures indicate assembly parts.

### 1."注記"欄の記号説明

1) "\*"印.....前回のパーツブックに比較して今回変更された部品を意味します。

変更内容は、"変更情報リスト"を参照してください。

2) "#01".....ページ下の"注記"の説明を参照してください。

2.数量欄の数字は、個数を表し、0.1、2.5等の数値は、長さ（単位メートル）を表します。

3.数量欄の（ ）は、組部品を構成している子部品であることを意味します。

4.イラストページの-----枠は、組構成であることを意味します。

# NUMERICAL INDEX OF PARTS

PART NO	PAGE	REF NO.	PART NO	PAGE	REF NO.	PART NO	PAGE	REF NO.
10101400	36	2	21004304	10	20	21008800	16	8
10124055	24	2	21004304	38	14	21008909	16	9
10124204	24	22	21004403	10	29	21009303	14	16
10124303	24	23	21004403	38	23	21009402	16	32
10524403	22	16	21004502	10	16	21009501	16	34
10524403	24	36	21004601	10	34	21009550	16	33
10525400	22	19	21004601	38	28	21009600	16	38
10525400	24	34	21004809	28	22	21009659	16	37
10528800	36	15	21004908	28	23	21009709	16	42
10539906	26	42	21005400	10	22	21009808	20	1
10539906	34	9	21005400	38	16	21009907	20	2
11077567	28	4	21005459	10	21	21010004	20	7
11078003	28	13	21005459	38	15	21010251	20	24
11078102	28	11	21005509	10	23	21010301	20	4
11078250	28	5	21005509	38	17	21010509	20	8
11155108	34	3	21005608	10	24	21010608	20	9
11155207	34	4	21005608	38	18	21010707	20	10
11157567	34	12-13	21005707	10	25	21010806	20	11
11159365	34	12-13	21005707	38	19	21010905	20	12
21000302	2	1	21005806	10	26	21011002	20	14
21000401	38	4	21005806	38	20	21011101	20	15
21000500	38	5	21005905	10	27	21011200	20	16
21000955	2	3	21005905	38	21	21011309	20	19
21001003	2	6	21006002	12	49	21011408	4	7
21001102	2	7	21006101	10	39	21011507	16	35
21001201	2	11	21006309	10	13	21011655	22	2
21001409	2	4	21006408	10	40	21011663	22	1
21001508	2	5	21006507	10	42	21011705	26	1
21002159	4	1	21006606	14	1	21011804	26	2
21002209	4	2	21006705	14	2	21011903	26	3
21002308	4	3	21006804	14	3	21012000	26	6
21002407	4	4	21006903	14	4	21013685	28	19
21002605	4	6	21007109	14	6	21013701	28	24
21002704	6	1	21007307	14	8	21013800	28	25
21002803	6	2	21007406	38	8	21013909	28	26
21002902	8	1	21007505	38	9	21014105	34	7
21003009	8	3	21008008	14	12	21014154	34	1-2
21003108	8	17	21008107	14	14	21014402	34	8
21003207	10	38	21008206	14	15	21014451	34	1-2
21003207	38	12	21008305	14	10	21015607	26	24
21003256	10	1	21008404	16	1	21015656	26	23
21003561	28	20	21008503	16	3	21015706	26	41
21003660	28	21	21008552	16	2	21016019	2	2
21004205	10	19	21008602	16	5	21016019	40	8
21004205	38	13	21008701	14	11	21016050	40	4

NUMERICAL INDEX OF PARTS

PART NO	PAGE	REF NO.	PART NO	PAGE	REF NO.	PART NO	PAGE	REF NO.
21016100	38	1	22904155	18	53	B13081550A0	6	12
21016100	40	6	22906101	8	6	B1310012000	6	6
21016159	40	2	22906408	8	10	B1311012000	6	7
21016209	38	2	22906457	8	9	B1312012000	6	8
21016209	40	7	22908909	26	40	B1403155000	8	7
21016258	40	3	22912109	2	22	B1414555000	8	8
21016308	38	3	22932453	26	26	B1418141H00	8	12
21016308	40	5	22932800	36	3	B1507512000	10	45
21016357	40	1	22933006	36	4	B1509141H00	38	10
21017405	38	6	22933105	36	5	B1510141H00	10	41
21017405	40	10	22933204	36	6	B1510155000	10	44
21017504	8	4	22934202	26	32	B1512012000	10	43
21017504	40	12	22934251	26	28	B1515512000	10	46
21017702	2	8	22934301	26	33	B1517552000	26	7
21017801	2	9	22934400	26	31	B1519581000	26	13
21017900	2	12	22934509	26	29	B1523226000	26	4
21018403	8	2	22934608	26	30	B1602141H00	14	18
21018809	10	33	26910158	32	1	B1604141H00	14	17
21018809	40	20	40022417	20	3	B1604141H00	16	43
21018908	38	27	40032132	26	27	B1605201000	16	45
21018908	40	18	40048536	36	7	B1607155000A	14	19
21020003	10	28	40096354	30	1	B1611155000A	16	15
21020003	38	22	40130335	26	35	B1622555000	16	7
21020052	10	18	40138764	16	11	B1623555A00	16	18
21020060	38	11	B1114051000	36	10	B162458600A	16	19
21020102	10	30	B1129521000	2	20	B1627226000	16	16
21020102	38	24	B1130528000	2	10	B16331220A0	16	12
21020201	10	31	B1131512000	2	19	B1646241H00	16	13
21020201	38	25	B1131528000	2	17	B1647226000	16	17
21020300	16	6	B1147555000	2	21	B1648122000	16	14
21020557	24	1	B1156115000	2	18	B1651141H00	16	44
21020607	10	37	B1203201000	4	15	B1702012000	4	13
21020607	38	31	B1210051000	4	14	B1702012000	18	46
21020706	10	35	B1211226000	4	16	B1705155000	16	39
21020706	38	29	B1212012000	4	10	B1706155000	16	40
21020805	14	13	B1213012000	4	11	B1707155000	16	41
21021100	38	7	B1218012000	4	12	B1804201000	20	18
21021100	40	14	B1227141H0AA	4	5	B1806038000	20	17
21021209	40	15	B1302201000	6	13	B1906051000	4	8
21021308	14	9	B1303271000	6	3	B1907051000	4	9
21021308	40	16	B13050120A0	6	4	B3116125000	22	13
22617609	24	10	B13061550A0	6	10	B3116125000	24	21
22618904	24	30	B13071550A0	6	11	B3120125000	22	14
22901805	2	35	B13072710A0	6	9	B3120125000	24	20
22904106	18	55	B1308012000	6	5	B3123051000	22	5

NUMERICAL INDEX OF PARTS

PART NO	PAGE	REF NO.	PART NO	PAGE	REF NO.	PART NO	PAGE	REF NO.
B3123527000	24	3	B3424141H00	26	36	NS6620310SP	26	17
B3125012000	22	3	B3425141H00	26	38	NS6660430SP	14	26
B3125012000	24	13	B3434141H00	26	37	NS6680410SP	16	48
B3125012000	28	9	B3501115000	2	13	NS6680410SP	18	48
B3125155000	22	17	B3502115000	2	14	RC0150001KP	18	51
B3125527000	24	11	B3503115000	2	15	RC1850001KP	4	17
B3126012000	28	7	B3517009000	2	16	RE0500000K0	14	21
B3126051000	22	6	B71140120A0	34	17	RE0500000K0	26	19
B3126051000	24	17	B8206012000	34	16	RE0600000K0	26	20
B3127051000	22	7	B8209012000	34	15	SD0470281SP	22	12
B3127051000	24	15	B8212051000	34	10	SD0470281SP	24	31
B3127527000	24	16	B8213051000	36	11	SD0490261SP	28	14
B3128051000	22	8	B9112012000	36	13	SD0550801SP	26	21
B3128051000	24	4	B9113012000	36	14	SD0600271SP	22	21
B3128527000	24	8	B9117051000	20	13	SD0640372SH	14	7
B3129012A00	22	4	B9117051000	36	9	SD0640851SP	14	5
B3129012A00	24	19	B9121141HA0	36	8	SD0720331SP	26	18
B3129012B00	28	8	CM300200001	2	37	SD0950802SH	16	10
B3132051000	22	9	CM301200001	2	38	SD1020962SP	18	47
B3132051000	24	18	CM600100101	2	36	SK1552500SC	34	11
B3134051000	22	10	CM600100201	36	16	SK3311600SE	34	6
B3134521000	24	27	CQ200000000	4	34	SK3482500SC	28	17
B31370510A0	22	11	CQ200000000	16	4	SK3483200SE	26	39
B31375270A0	24	5	CQ202000000	2	34	SK3513200SC	34	14
B3138512000	22	18	CQ202000000	6	17	SM6051410SC	6	22
B3138512000	24	33	CQ202000000	14	20	SM9061203SE	26	34
B3138527000	24	9	CQ202000000	20	34	SS1092810SP	20	28
B3139527000	24	7	CQ252000000	4	36	SS1680910SP	36	12
B3141512000A	22	20	CQ505000000	4	21	SS2090520SL	2	25
B3141512000A	24	35	CS0790721TH	20	20	SS2090840SP	2	23
B3141527000	24	12	CS0791016SH	6	14	SS2110920TP	14	31
B3142527000	24	6	CS0791016SH	20	22	SS4080620TP	22	15
B3143527000	24	14	CS11111019SH	14	22	SS4090610SP	2	26
B3211555000	28	12	CS1471411SH	4	18	SS4110515SP	28	10
B3214047000	24	24	D3168555H0B	24	25	SS4110910TP	22	22
B3216047000	24	26	D8204555D00	34	5	SS4110910TP	24	37
B3413227000	26	5	MC200501100	8	5-18	SS6080360SP	8	14
B3414555000	26	10	MDP170B1800	8	15	SS6080360SP	10	36
B3416051000	26	14	MDP500B1800	8	5-18	SS6080360SP	38	30
B3416552000	26	8	MDP500B1802	36	1	SS6090670TP	8	11
B3416555000	26	11	NS6110310SP	24	32	SS6110480SP	28	27
B3417051000	26	15	NS6110310SP	26	16	SS6111210SP	14	32
B3417552000	26	9	NS6110350SP	14	25	SS6121050SP	16	23
B3418555000	26	12	NS6110530SP	12	47	SS6121210SP	14	34
B3420141H0A	26	25	NS6620310SP	14	24	SS6121210SP	16	24

NUMERICAL INDEX OF PARTS

PART NO	PAGE	REF NO.	PART NO	PAGE	REF NO.
SS6121610TP	16	36	SS8150710SP	20	25
SS6151220SP	16	29	SS8150710SP	38	26
SS6151920SP	18	50	SS8151150SP	14	36
SS6160680SP	6	16	SS8151150SP	20	27
SS6661110SP	16	25	SS8151550SP	4	33
SS7080510TP	2	32	SS8151550SP	6	19
SS7080510TP	8	13	SS8620610TP	14	37
SS7081310SP	28	15	SS8660530TP	14	38
SS7090520SP	22	23	SS8660610TP	18	54
SS7090520SP	24	38	SS8660610TP	20	5
SS7090710SP	16	22	SS8660810TP	6	20
SS7110510SP	14	33	SS8660810TP	14	39
SS7110510SP	26	22	SS8660810TP	16	30
SS7110710SP	2	30	SS8661040TP	16	31
SS7110710SP	14	40	SS8680540SP	4	30
SS7110710SP	24	39	SS8680730SP	4	31
SS7110720SP	16	26	SS8680810TP	4	29
SS7110840SP	28	6	SS8681650TP	4	32
SS7110910SP	2	28	SS9181520CP	6	21
SS7111120SP	2	29	TA1050504R0	2	31
SS7111120SP	14	29	WP0480856SP	28	16
SS7111310SP	12	48	WP0501016SC	28	18
SS7111410SP	2	33	WS0822010KP	14	23
SS7112420SP	20	30	WS0822010KP	20	23
SS7121410TP	18	49	WZ1052010KP	16	20
SS7151120SP	4	22			
SS7151210SP	28	3			
SS7161640SP	14	30			
SS7620750SP	16	27			
SS7681750TP	4	23			
SS7701010SP	4	24			
SS7702610SP	14	28			
SS7702610SP	20	29			
SS8090410SP	20	21			
SS8110510SP	8	16			
SS8110510SP	20	31			
SS8110520TP	6	18			
SS8110520TP	20	6			
SS8111251SP	22	24			
SS8111251SP	24	40			
SS8150710SP	4	25			
SS8150710SP	10	32			
SS8150710SP	14	35			
SS8150710SP	16	52			
SS8150710SP	18	52			