

MODEL : DSU-144-4,-7

List No : 0674-03

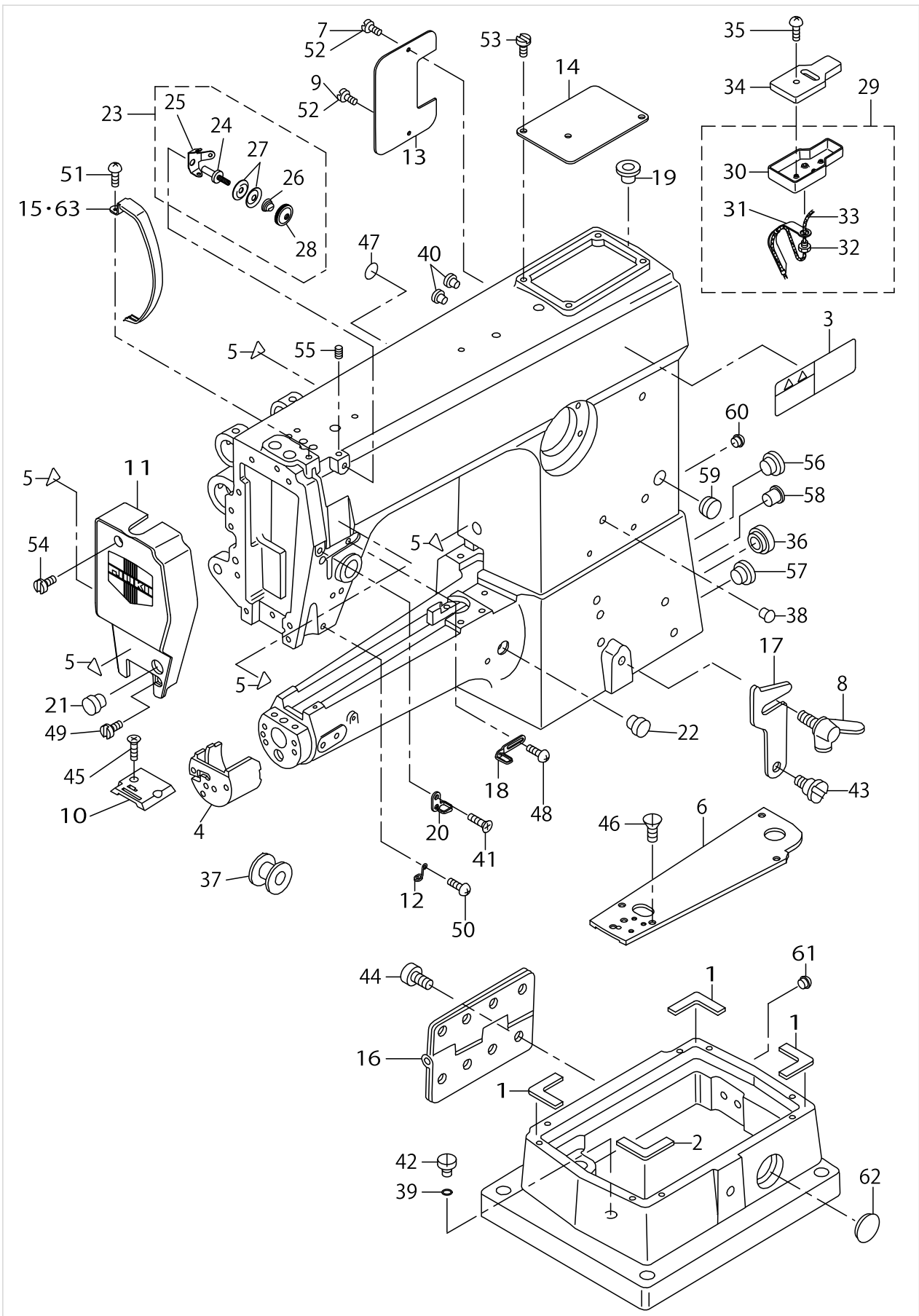
PARTS LIST

Published:05/12/2017

CONTENTS

FRAME & MISCELLANEOUS COVER COMPONENTS	1
MAIN SHAFT & ARM SHAFT COMPONENTS	5
NEEDLE BAR,THREAD TAKE-UP LEVER & PRESSER BAR COMPONENTS.....	7
FEED MECHANISM COMPONENTS.....	9
REVERSE FEED MECHANISM COMPONENTS(FOR DSU-144-4-1B,-7-0B).....	13
HOOK DRIVING SHAFT COMPONENTS	15
THREAD TRIMMER COMPONENTS(1).....	17
THREAD TRIMMER COMPONENTS(2).....	21
UPPER FEED MECHANISM COMPONENTS	23
THREAD TENSION COMPONENTS	27
BELT COVER & BOBBIN WINDER COMPONENTS	29
KNEE LIFTER COMPONENTS	31
TABLE COMPONENTS	33
THREAD STAND COMPONENTS.....	35
ACCESSORIES PARTS COMPONENTS	37
GAUGE COMPONENTS.....	39
LIST FOR INFORMATION OF CHANGE (1).....	41
LIST FOR INFORMATION OF CHANGE (2).....	42
HOW TO MAKE USE OF THIS PARTS LIST	43

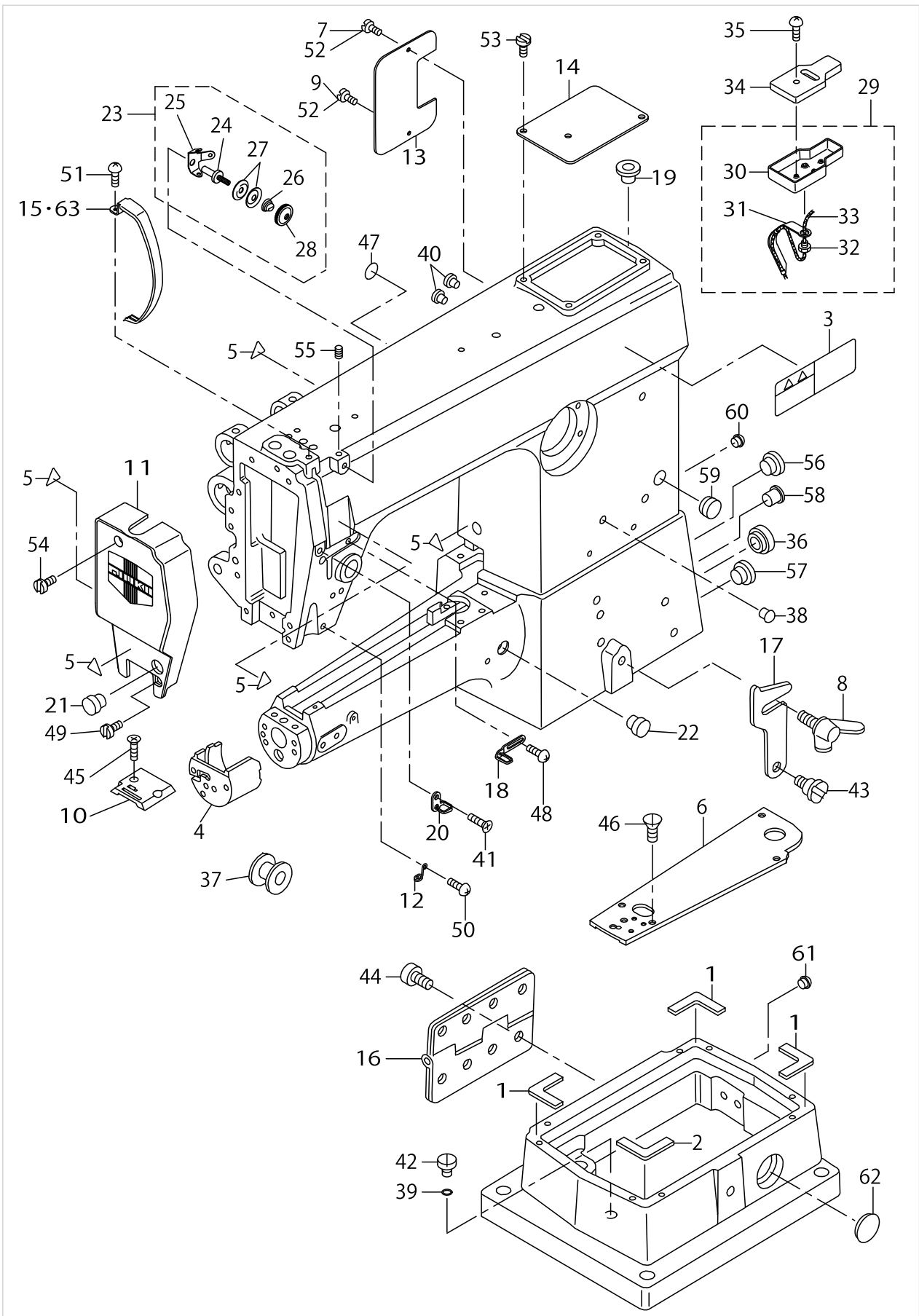
FRAME & MISCELLANEOUS COVER COMPONENTS



FRAME & MISCELLANEOUS COVER COMPONENTS

No.	Supply Code	Parts No.	Replacement	Parts name	Remarks	Choice	Step	Level	Cons	Qty	Rep. QTY
1		B118324500A		GASKET A						3	
2		B118324500B		GASKET B						1	
3		CM301300001		SAFETY LABEL	FOR EXPORT					1	
4		D1171145E00		HOOK COVER						1	
5		CM300200001		ATTENTION SEAL	FOR DSU-- 144-7 (USE IN JAPAN,JE)					5	
6		D1173145E00		BED TOP COVER						1	
7		SS7110710SP		SCREW 11/64-40 L=7	FOR DSU-144-7					1	
8		B1116246000		WING BOLT						1	
9	R	SS7111410SP	SS7111410TP	SCREW11/64-40L=14	FOR DSU-144-7					1	1.00
10		D1105145E00		THROAT PLATE						1	
11		B1121141HAAD		FACE PLATE ASM.						1	
12		B1129141H00		THREAD GUIDE						1	
13		B1118141H0AA		SIDE PLATE						1	
14		40032259		SIDE COVER						1	
15		B1123141H0A		THREAD TAKE-UP LEVER COVER	FOR EXPORT					1	
16		B1128246000		HINGE						1	
17		B1117246000		HOOK						1	
18		D1126560E00A		ARMTHREADGUIDEA						1	
19		B1156115000		RUBBER PLUG						2	
20		B1131141H00		FRAME THREAD GUIDE B						1	
21		TA1250406R0		RUBBER PLUG D=12.5 L=4						1	
22		TA1250406R0		RUBBER PLUG D=12.5 L=4						1	
23		D3161560EA0		TENSION POST ASM.						1	
24		D3161555B00		FIRST TENSIONPOST				*		1	
25		D3162560E00		THREAD GUIDE				*		1	
26		D3168555H0B		TENSION SPRING NO.1				*		1	
27	R	B3214047000	22945802	BOBBIN WINDER TENSION DISC				*		2	1.00
28		B3216047000		BOBBIN WINDER TENSION NUT				*		1	
29	D	B35031450A0		OIL RESERVOIR ASM.						1	
30		B3503201000		OIL RESERVOIR				*		1	
31	D	B3527012000		HOLDER				*		1	
32		B3515201000		CLAMP SLEEVE NUT				*		1	
33		CQ202000000		OIL WICK				*		0.3	
34		B3504201000		OIL FELT						1	
35		SS7112420SP		SCREW11/64-40L=24						1	
36		TA2100904R0		RUBBER PLUG						1	
37		D2414141E00		LORD BUSHING						1	
38		TA0750704R0		RUBBER PLUG						1	
39		RO061180100		RUBBER RING						1	
40		TA0550604R0		RUBBER PLUG						2	
41	R	SS2090710SP	SS2090710TP	SCREW 9/64-40 L=7						1	1.00
42		SS7680870SP		SCREW 9/32 L=8.0						1	
43		SD0800352SP		HINGE SCREW D=8 H=3.5						1	
44		SM6081552TP		SCREW M8 L=15						8	
45		SS2110915SP		SCREW 11/64-40 L=8.5						2	

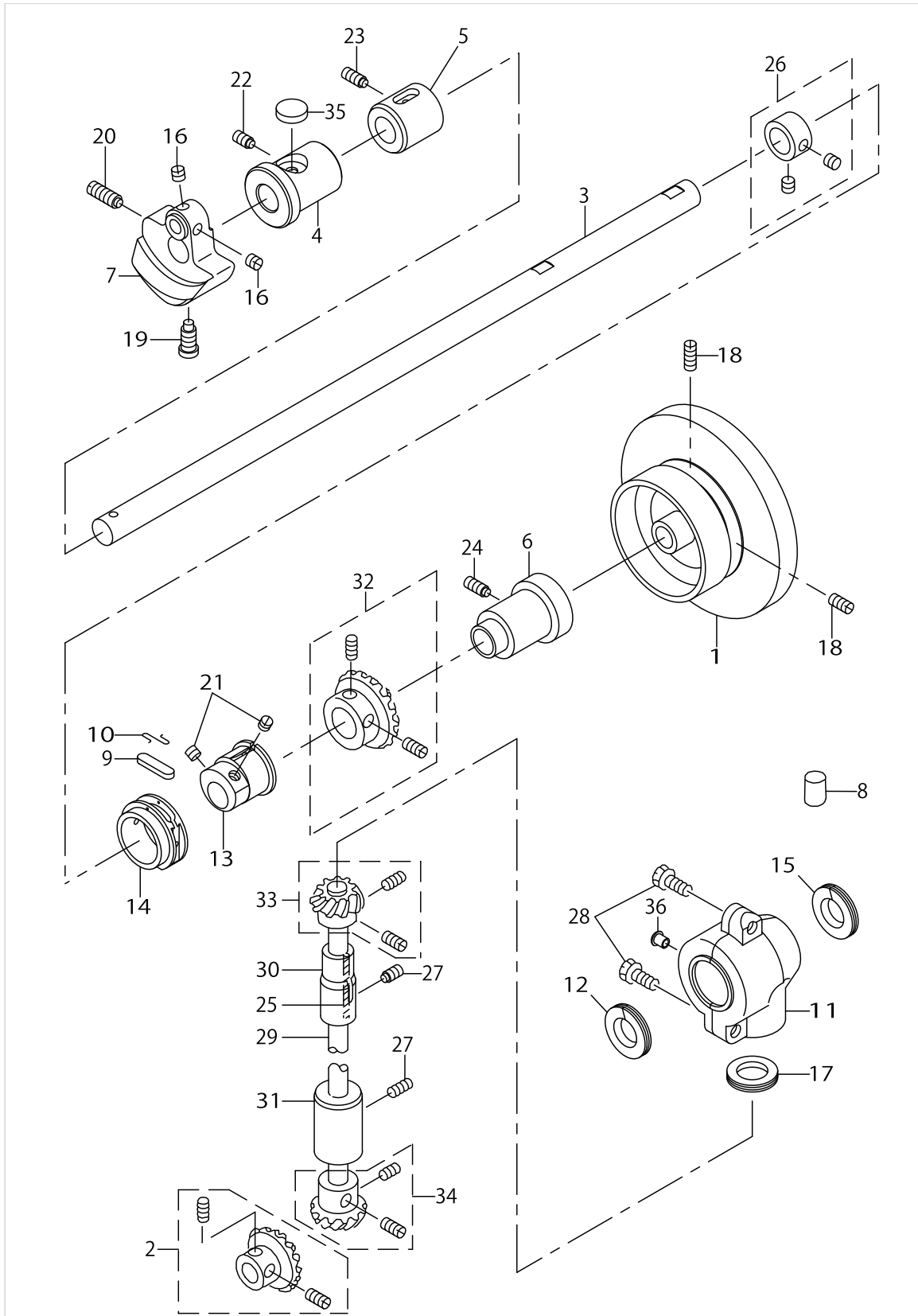
FRAME & MISCELLANEOUS COVER COMPONENTS



FRAME & MISCELLANEOUS COVER COMPONENTS

No.	Supply Code	Parts No.	Replacement	Parts name	Remarks	Choice	Step	Level	Cons	Qty	Rep. QTY
46	R	SS2090710SP	SS2090710TP	SCREW 9/64-40 L=7						2	1.00
47		22901805		GROUND MARK						1	
48		SS5090610SP		SCREW 9/64-40 L=6						1	
49		SS6111610SP		SCREW 11/64-40 L=16						1	
50		SS7090620TP		SCREW 9/64-40 L=6.1						1	
51		SS7110510SP		SCREW 11/64-40 L=5						1	
52		SS7110710SP		SCREW 11/64-40 L=7	FOR DSU-144-4					2	
53		SS7110710SP		SCREW 11/64-40 L=7						2	
54		SS7112420SP		SCREW 11/64-40 L=24						1	
55		SS8110410TP		SCREW 11/64-40 L=3.5						1	
56		B1180245000		PLUG						1	
57		B1180245000		PLUG						1	
58		TA1120804R0		RUBBER PLUG						1	
59		TA1550902R0		PLUG						1	
60		TA0750404R0		PLUG D=7.5 L=3.5						1	
61		TA0750404R0		PLUG D=7.5 L=3.5						1	
62		TA2050406R0		RUBBER PLUG						1	
63		11415205		THREAD TAKE-UP LEVER COVER(JE)	FOR USE IN JAPAN					1	

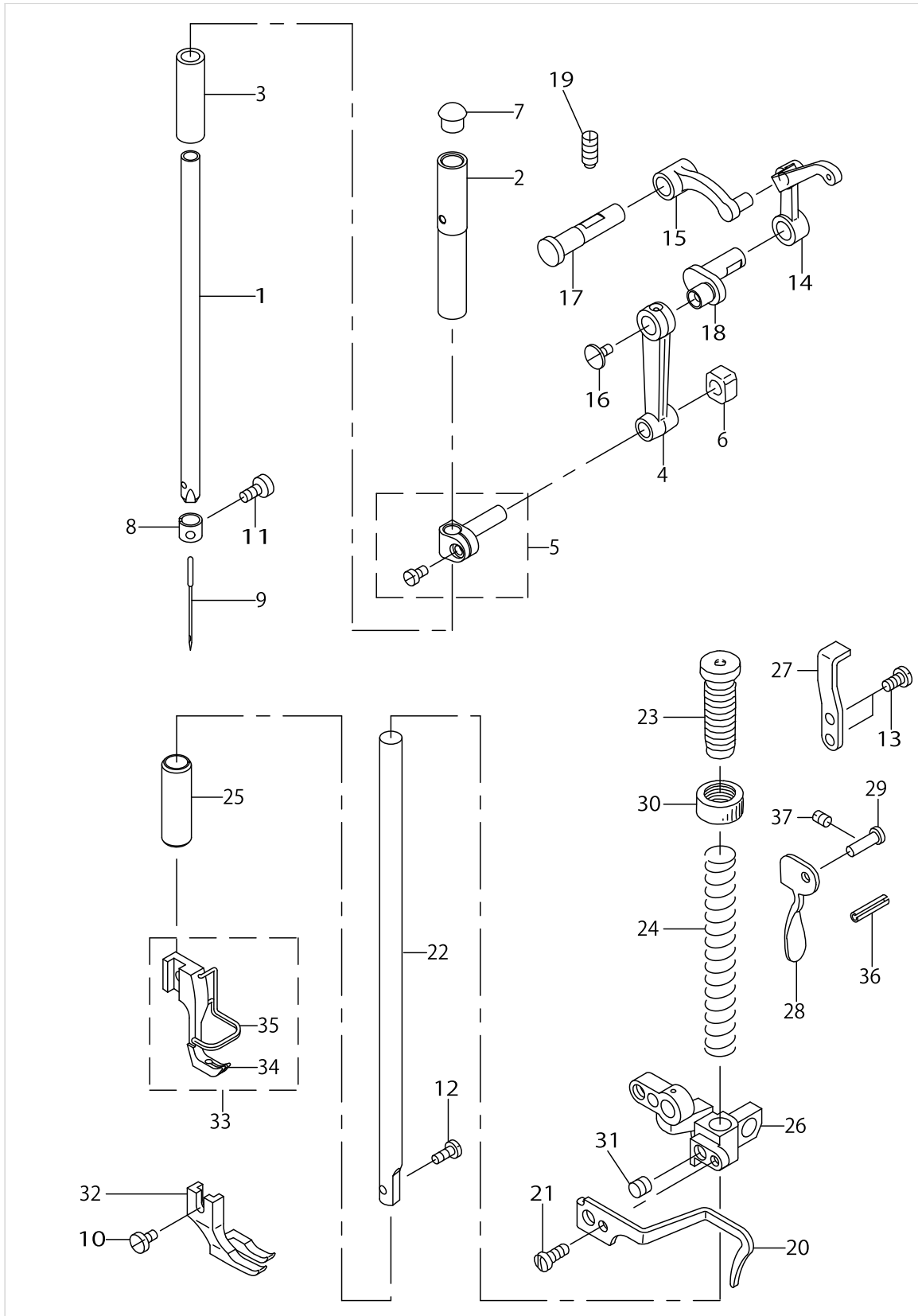
MAIN SHAFT & ARM SHAFT COMPONENTS



MAIN SHAFT & ARM SHAFT COMPONENTS

No.	Supply Code	Parts No.	Replacement	Parts name	Remarks	Choice	Step	Level	Cons	Qty	Rep. QTY
1		21295308		HAND WHEEL						1	
2		B13081550A0		PINION ASM.						1	
3		D1201141E00A		MAIN SHAFT						1	
4		B1202141H0A		MAIN SHAFT BUSHING (FRONT)						1	
5		B1203141H00		MAIN SHAFT BUSHING (INTERMEDIATE)						1	
6		21205109		MAIN SHAFT BUSHING (REAR)						1	
7		D1206141E00		COUNTERWEIGT						1	
8		B3517009000		OIL FELT REAR						1	
9		B1212012000		OIL FELT						1	
10		B1213012000		FELT RETAINER						1	
11	D	B1308012000		GEAR CASE						1	
12		B1310012000		OIL SEAL (A)						1	
13		B1211141H00		FEED ECCENTRIC CAM						1	
14		B1211226000		ECCENTRIC RETAINER HOUSING						1	
15		B1311012000		OIL SEAL (B)						1	
16		SS8660610TP		SCREW 1/4-40 L=6						2	
17		B1312012000		OIL SEAL (C)						1	
18		SS8151550SP		SCREW 15/64-28L=15						2	
19		SS7681750TP		SCREW 9/32-28 L=16.5						1	
20		SS8681950SP		SCREW 9/32-28 L=19						1	
21		SS8150710TP		SCREW 15/64-28 L=7						2	
22	R	SS8151150SP	SS8151150TP	SCREW 15/64-28 L=10.5						1	1.00
23		SS8151550SP		SCREW 15/64-28L=15						1	
24		SS8151550SP		SCREW 15/64-28L=15						1	
25		CQ202000000		OIL WICK						.1	
26		22904155		MAIN SHAFT THRUST COLLAR ASM.						1	
27		SS8151550SP		SCREW 15/64-28L=15						2	
28		SS9181520CP		SCREW 9/32-20 L=15.0						2	
29		B1301145000		UPRIGHT SHAFT						1	
30		B1302201000		BUSHING UPPER						1	
31		B1303271000		BUSHING LOWER						1	
32		B13050120A0		GEAR ASM.						1	
33		B13061550A0		PINION ASM.						1	
34		B13071550A0		GEAR ASM. LARGE						1	
35		B1203051000		OIL FELT						1	
36		TA0550604R0		RUBBER PLUG						1	

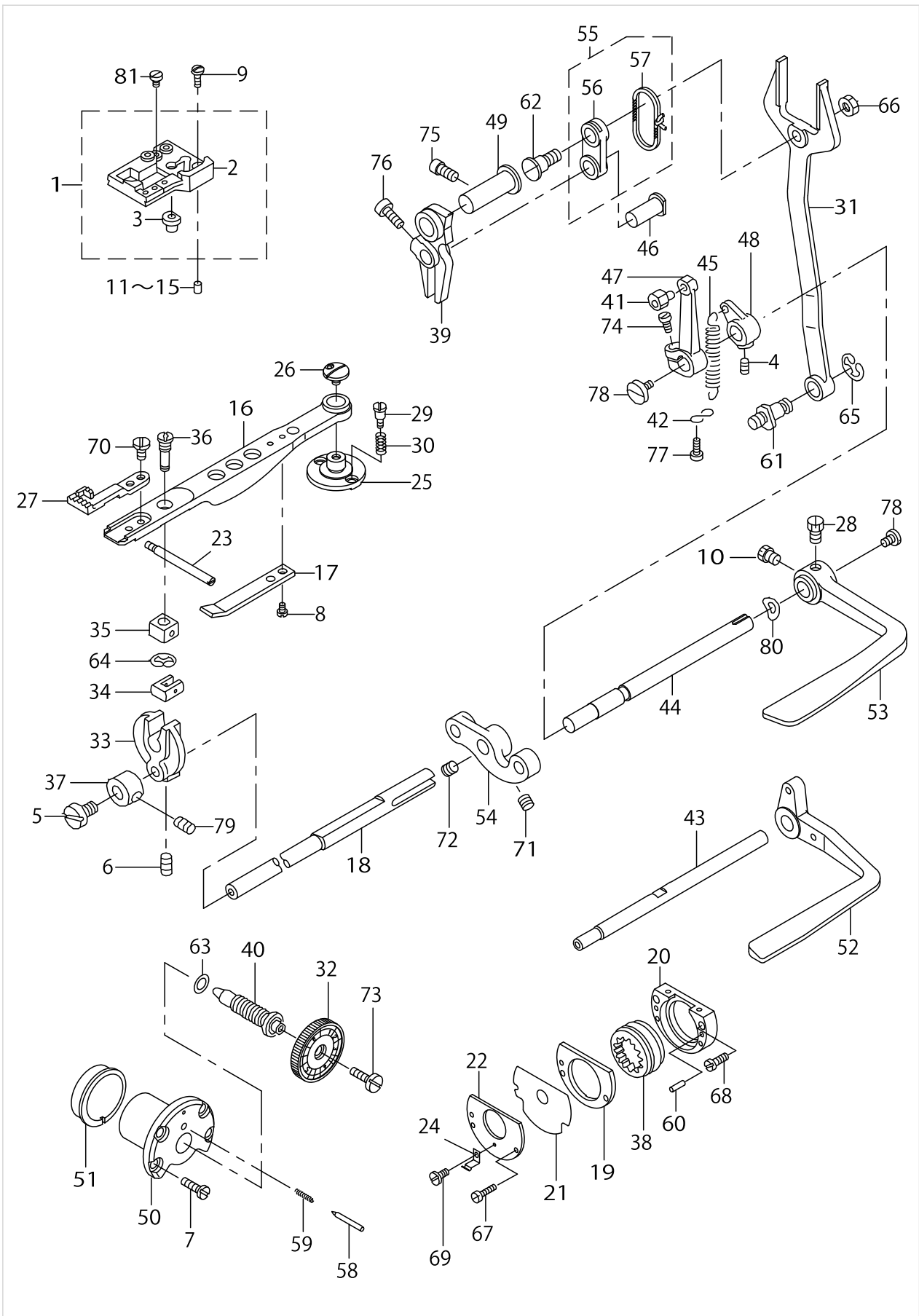
NEEDLE BAR, THREAD TAKE-UP LEVER & PRESSER BAR COMPONENTS



NEEDLE BAR,THREAD TAKE-UP LEVER & PRESSER BAR COMPONENTS

No.	Supply Code	Parts No.	Replacement	Parts name	Remarks	Choice	Step	Level	Cons	Qty	Rep. QTY
1		B1401145000		NEEDLE BAR						1	
2		22906101		NEEDLE BAR BUSHING UPPER						1	
3		D1403141E00		NEEDLE BAR BUSHING LOWER						1	
4		B1408141H00		NEEDLE BAR CRANK ROD						1	
5		B14115520A0		NEEDLE BAR CONNECTING ASM.						1	
6		B1414555000		SLIDE BLOCK						1	
7		22901409		NEEDLE BAR UPPER BUSH CAP						1	
8		D1418141E00		NEEDLE BAR THREAD GUIDE						1	
9		M13517B1300		NEEDLE 135X17 #130						1	
10		SS7090610SP		SCREW 9/64-40 L=6						1	
11		SS7080510TP		SCREW 1/8-44 L=4.5						1	
12	R	SS7091110SP	SS7091110TP	SCREW 9/64-40 L=10.5						1	1.00
13		SS7110840SP		SCREW 11/64-40 L=7.8						2	
14	R	B1901141H00	B1901141HA0	THREAD TAKE-UP LEVER						1	1.00
15	R	B1902115000	B19011150A0	THREAD TAKE-UP CRANK						1	1.00
16	R	B1903141H00	B1903552000	END SCREW LEFT						1	1.00
17	D	B1904115000		THREAD TAKE-UP CRANK SHAFT STUD						1	
18	R	B1210141H00	B1901141HA0	NEEDLE BAR CRANK						1	1.00
19		SS8151550SP		SCREW15/64-28L=15						1	
20		21286802		THREAD GUIDE						1	
21		SS6110610TP		SCREW 11/64-40 L=6						1	
22		B1501141H00		PRESSER BAR						1	
23		B1509141H00		PRESSER SPRING REGULATOR						1	
24		B1510141H00		PRESSER SPRING						1	
25		B1510155000		PRESSER BAR LOWER BUSHING						1	
26		21103304		PRESSER BAR GUIDE BRACKET						1	
27		B1515141H00		LIFTING LEVER						1	
28		D1512141E00		HAND LIFTER						1	
29		B1513141H00		HAND LIFTER SHAFT						1	
30	R	22907604	22907554	PRESSER SPRING REGULATOR NUT						1	1.00
31		SS8660610TP		SCREW 1/4-40 L=6						1	
32		B1526145000		PRESSURE FOOT						1	
33		D1525141EA0		PRESSER FOOT ASM.						1	
34	R	D1525141E00	40021791	PRESSER FOOT BOTTOM				*		1	1.00
35		B1421141H00		FINGER GUARD				*		1	
36		PS0300132KH		SPRING PIN 3X13						1	
37		SS8110750SP		SCREW 11/64-40 L=6.5						1	

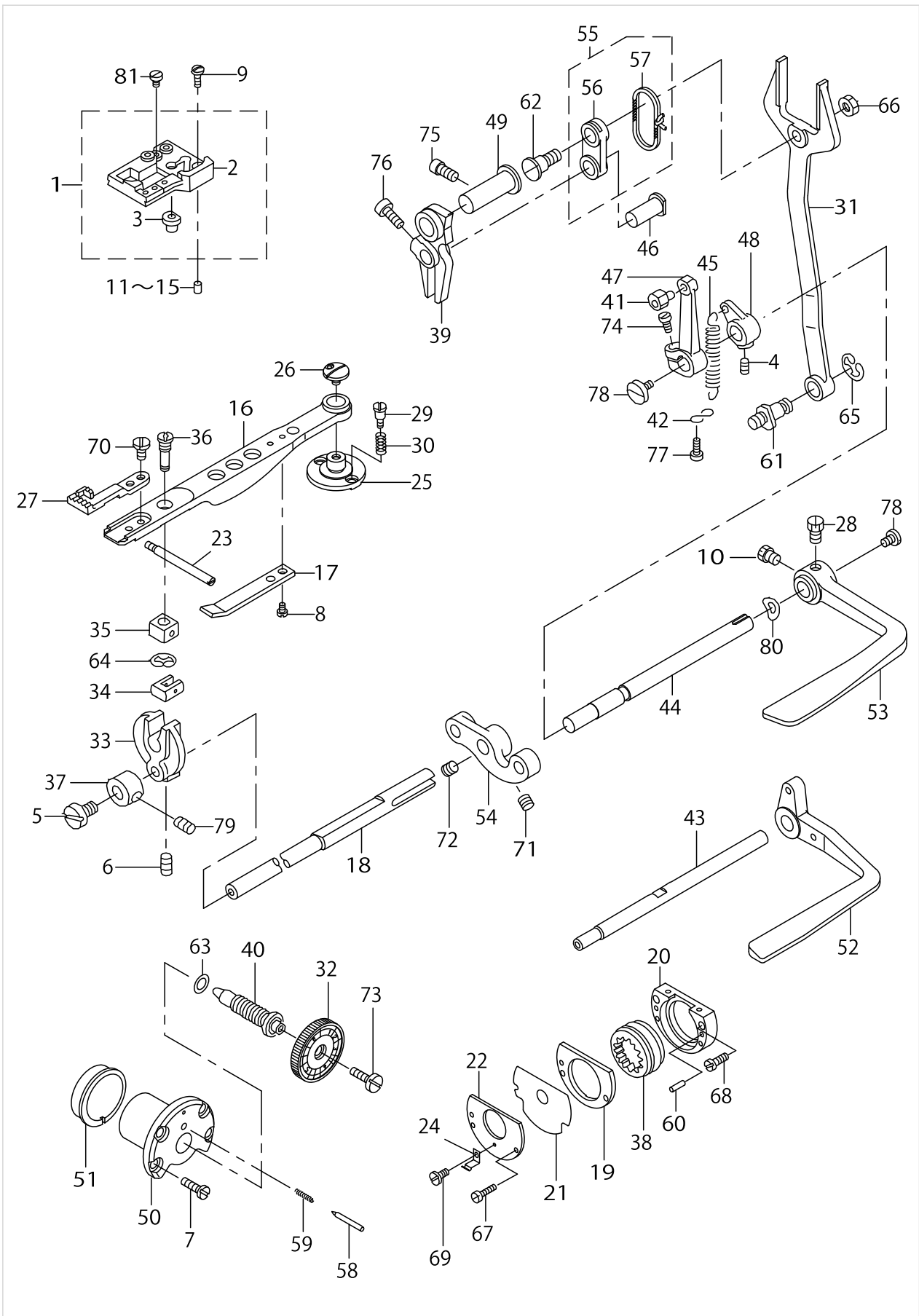
FEED MECHANISM COMPONENTS



FEED MECHANISM COMPONENTS

No.	Supply Code	Parts No.	Replacement	Parts name	Remarks	Choice	Step	Level	Cons	Qty	Rep. QTY
1		D1630145EA0A		THROAT PLATE BASE ASM.						1	
2		D1630145E00A		THROATPLATEBASE				*		1	
3		B1631245000		PIN BUSHING				*		1	
4	R	SS8150710SP	SS8150710TP	SCREW 15/64-28 L=7						1	1.00
5		SS5110710SP		SCREW 11/64-40 L=7						1	
6		SS8701042TP		SCREW 5/16-24 L=10.0						1	
7		B1638141H00		SCREW						4	
8		SS7080520SP		SCREW 1/8-44 L=4.9						2	
9		SS2090810SP		SCREW 9/64-40 L=7.5						2	
10		SS9660720SP		SCREW 1/4-40 L=7	FOR DSU-- 144,-4-1,-7-00					1	
11		B163214500E		VERTICAL FEED PIN	SELECTIVE PARTS					1	
12		B163214500D		PIN	SELECTIVE PARTS					1	
13		B163214500C		PIN						1	
14		B163214500B		VERTICAL FEED PIN	SELECTIVE PARTS					1	
15		B163214500A		PIN	SELECTIVE PARTS					1	
16		B1606145000		FEED BAR						1	
17		B1633245000		SPRING						1	
18	D	B1601145000		FEED ROCK SHAFT						1	
19		B1634145000		FEED DRIVING CAM HOLDER A						1	
20		B1635145000		FEED DRIVING CAM HOLDER B						1	
21		B1636145000		FEED DRIVING CAM HOLDER WASHER						1	
22		B1637145000		FEED DRIVING CAM HOLDER PLATE						1	
23		B1638245000		SCREW STUD						1	
24		D1172245E00		HOOK COVER HOLDER						1	
25		B1639145000		FEED BAR STUD						1	
26		B1640145000		FEED BAR SLIDE SCRER STUD						1	
27		D1613145E00		FEED DOG						1	
28		SS9660910SP		SCREW 1/4-40 L=9.4	FOR DSU-- 144,-4-1,-7-00					1	
29		B1641245000		HINGE SCREW						2	
30		B1642245000		SPRING						2	
31	D	B1614145000		PITMAN						1	
32		B16231450A0		STITCH DIAL						1	
33		B1603145000		FEED ROCKER						1	
34		B1643145000		FEED BAR SLIDE BLOCK A						1	
35		B1644245000		FEED BAR SLIDE BLOCK B						1	
36		B1645245000		FEED BAR SLIDE SCREW STUD						1	
37		B1646245000		THRUST COLLAR						1	
38		B1647145000		FEED DRIVING CAM						1	
39		B1620145000		FEED REGULATOR						1	
40		B1634141H00A		STITCH LENGTH REGULATING SCREW						1	
41		B16331220A0		CRANK SLIDE BLOCK STUD ASM.						1	
42		B1648122000		SUSPENSION HOOK (B)						1	
43		D1621141E00		LEVER SHAFT	FOR DSU-- 144-4-1B,-7-0B					1	
44		B1621141H00A		CONTROL LEVER SHAFT	FOR DSU-- 144,-4-1,-7-00					1	

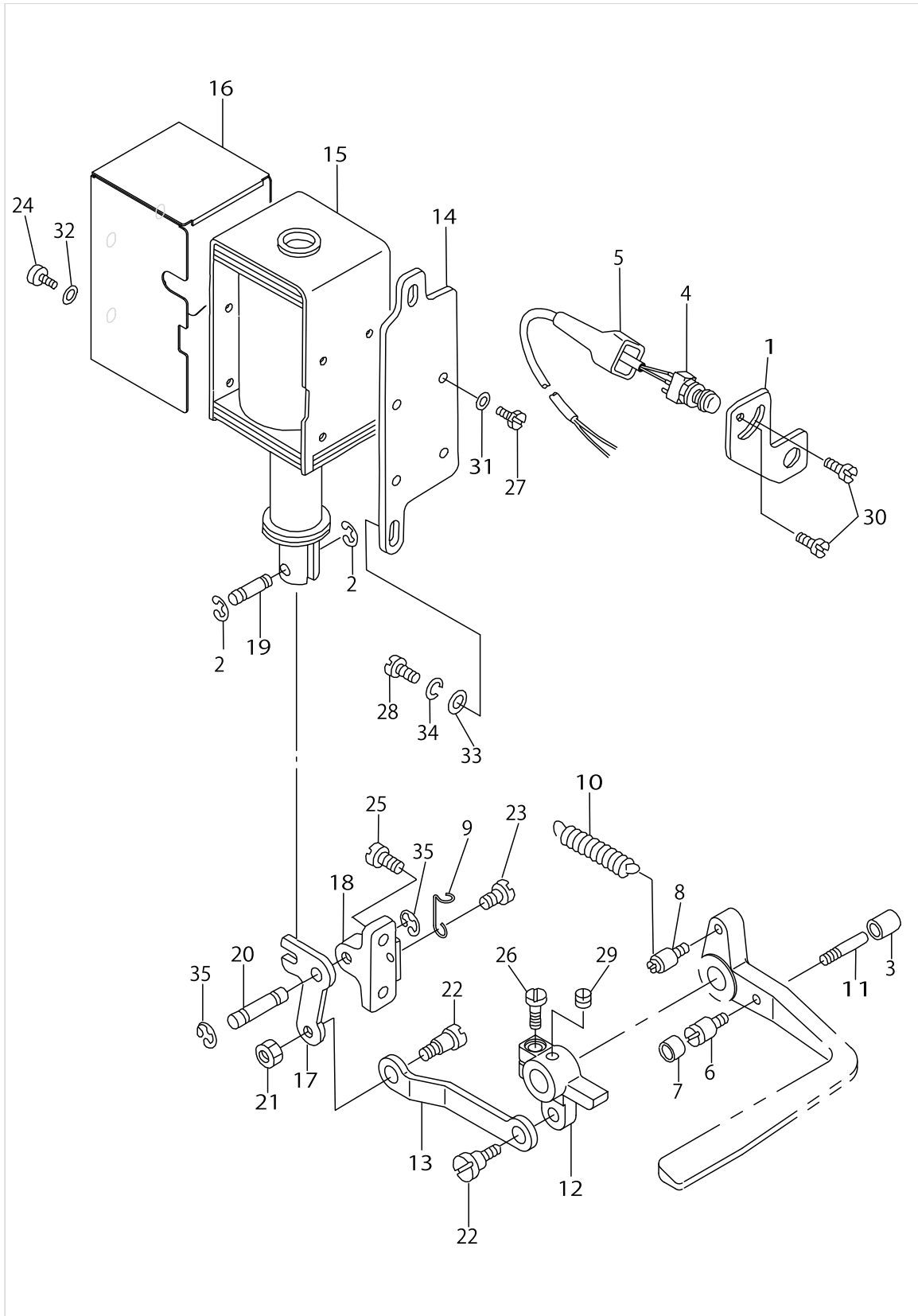
FEED MECHANISM COMPONENTS



FEED MECHANISM COMPONENTS

No.	Supply Code	Parts No.	Replacement	Parts name	Remarks	Choice	Step	Level	Cons	Qty	Rep. QTY
45		B1646201000		TENSION SPRING						1	
46		B1618226000		HINGE PIN						1	
47		B16272260A0		CONTROL LEVER CRANK ASM.						1	
48		B1647226000		SUSPENSION BRACKET (A)						1	
49		B1622141H00		HINGE PIN						1	
50		B1636141H0A		FEED REGULATOR SCREW METAL						1	
51		B1637141H00		ECCENTRIC BUSHING						1	
52		D1624141E0A		REVERSE FEED CONTROL LEVER	FOR DSU-- 144-4-1B,-7-0B					1	
53		B1624141H0A		FEED LEVER	FOR DSU-- 144,-4-1,-7-00					1	
54		B1605145000		FEED ROCK SHAFT CRANK						1	
55	D	B16191150A0		REGULATOR CONN- ECTING LINK ASM.						1	
56		B1619115000		FEED REGULATOR CONNECTING LINK				*		1	
57		CQ200000000		OIL WICK				*		0.3	
58		B1147141H00		PIN						1	
59		B1148141H00		SPRING						1	
60		B1660145000		SPRING PIN						2	
61		B1424158000		HINGE SCREW						1	
62		SD0950802SH		HINGE SCREW D=9.53 H=8						1	
63		RO074240100		RUBBER RING						1	
64		RE0300000K0		E-RING 3						1	
65		RE0700000K0		E-RING 7						1	
66		NS6680410SP		NUT 9/32-28						1	
67		SS6081210SP		SCREW 1/8-44 L=12						2	
68		B1651245000		SCREW						2	
69		SS6060210SP		SCREW 3/32-56 L=1.9						1	
70		B1652245000		SCREW						2	
71	R	SS8150830SP	SS8150822TP	SCREW						1	1.00
72	R	SS8150710SP	SS8150710TP	SCREW 15/64-28 L=7						1	1.00
73		SS6121050SP		SCREW 3/16-28 L=9.5						1	
74		SS6121210SP		SCREW 3/16-28 L=12						1	
75		SS6151220SP		SCREW 15/64-28 L=11.5						1	
76		SS6661110SP		SCREW 1/4-40 L=11						1	
77	R	SS7091110SP	SS7091110TP	SCREW 9/64-40 L=10.5						1	1.00
78		SS7620750SP		SCREW 3/16-32 L=6.5						2	
79		SS8110410TP		SCREW 11/64-40 L=3.5						2	
80		WZ1052010KP		WAVED WASHER						1	
81		SS6090610SP		SCREW 9/64-40 L=5.5						2	

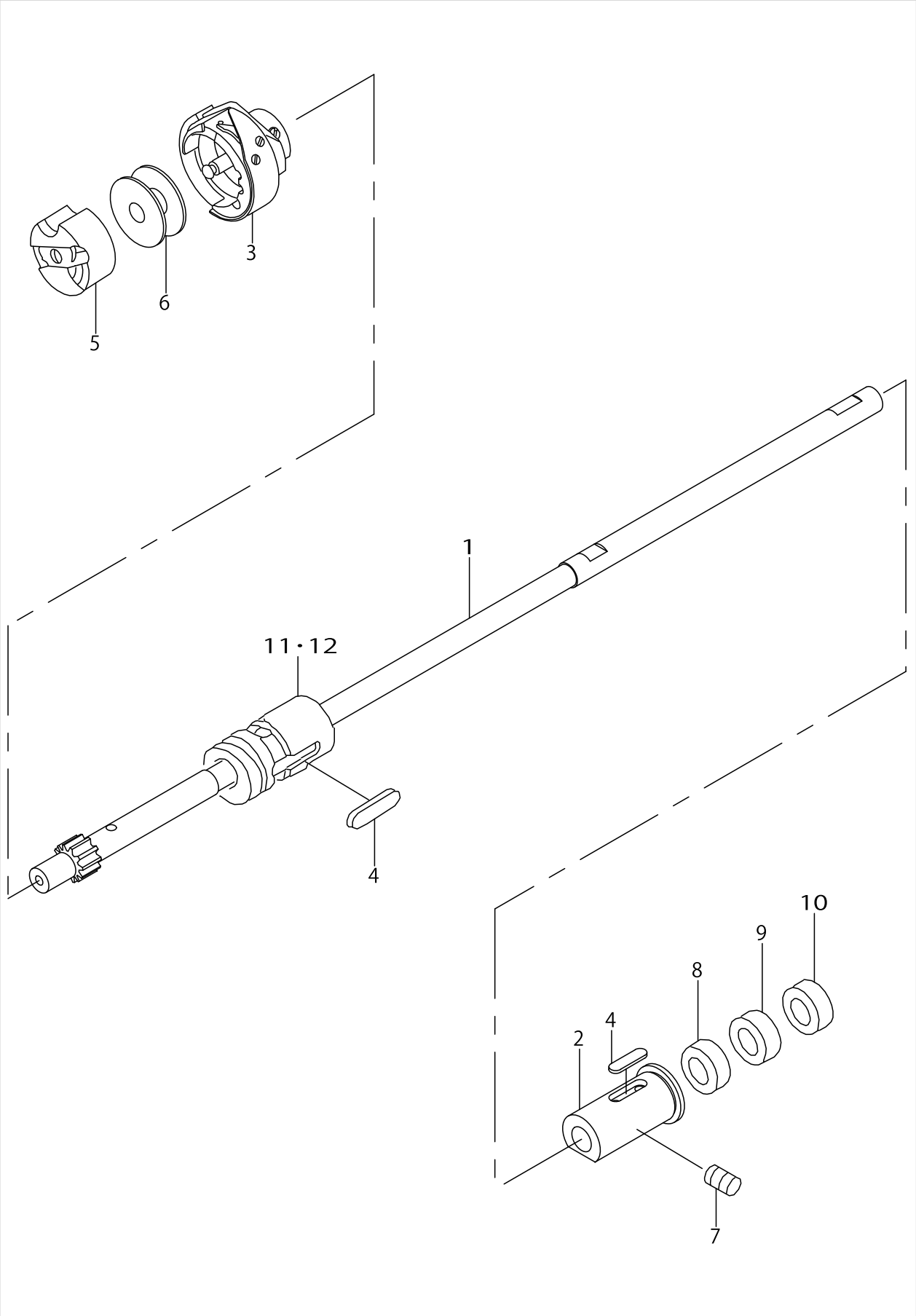
REVERSE FEED MECHANISM COMPONENTS(FOR DSU-144-4-1B,-7-0B)



REVERSE FEED MECHANISM COMPONENTS(FOR DSU-144-4-1B,-7-0B)

No.	Supply Code	Parts No.	Replacement	Parts name	Remarks	Choice	Step	Level	Cons	Qty	Rep. QTY
1		D1681141E0A		PLATE						1	
2		RE040000K0		E-RING 4						2	
3		BP30000000		VINYL PIPE						1	
4		D1680141EA0		TOUCH BUCK SWITCH ASM.						1	
5		MAT81126T00		2-POLE PLUG COVER						1	
6		B1114280000		PIN						1	
7		10119907		CUSHION						1	
8		10120004		SPRINGSUSPENSION						1	
9		D1682141E00		SUSPENSIONHOOKB						1	
10		D1685141E00		LEVER SPRING						1	
11		B2733761000		PIN						1	
12		D1683141E00		CONNECTING ARM						1	
13		D1686141E00		REVERSE FEED ROD						1	
14		10119204		SOLENOID INSTALLING PLATE						1	
15		10119105		REVERSE FEED SOLENOID AC24V						1	
16		10161305		SOLENOID COVER						1	
17		10119402		LINK						1	
18		D1684141E00A		LINK INSTALLING BASE						1	
19		D2464555B00		LINK DRIVING MAGNET PIN						1	
20		D1687141E00		PIN						1	
21		NS6150430SP		NUT 15/64-28						1	
22		SD0720331SP		HINGE SCREW D=7.24 H=3.3						2	
23		SS7090710SP		SCREW 9/64-40 L=6.8						1	
24		SS7110710SP		SCREW 11/64-40 L=7						4	
25		SS7151210SP		SCREW 15/64-28 L=12						2	
26		SS7121410TP		SCREW 3/16-28 L=14						1	
27		SS9111010SP		SCREW 11/64-40 L=9.5						4	
28		SS7151210SP		SCREW 15/64-28 L=12						2	
29		SS8150510TP		SCREW 15/64-28 L=4.7						1	
30		SS7110710SP		SCREW 11/64-40 L=7						2	
31		WP0501016SD		WASHER 5X10.5X1						4	
32		WP0501016SD		WASHER 5X10.5X1						4	
33		WP0621016SD		WASHER 6.2X13X1						2	
34		WS0631510KP		SPRING WASHER						2	
35		RE060000K0		E-RING 6						2	

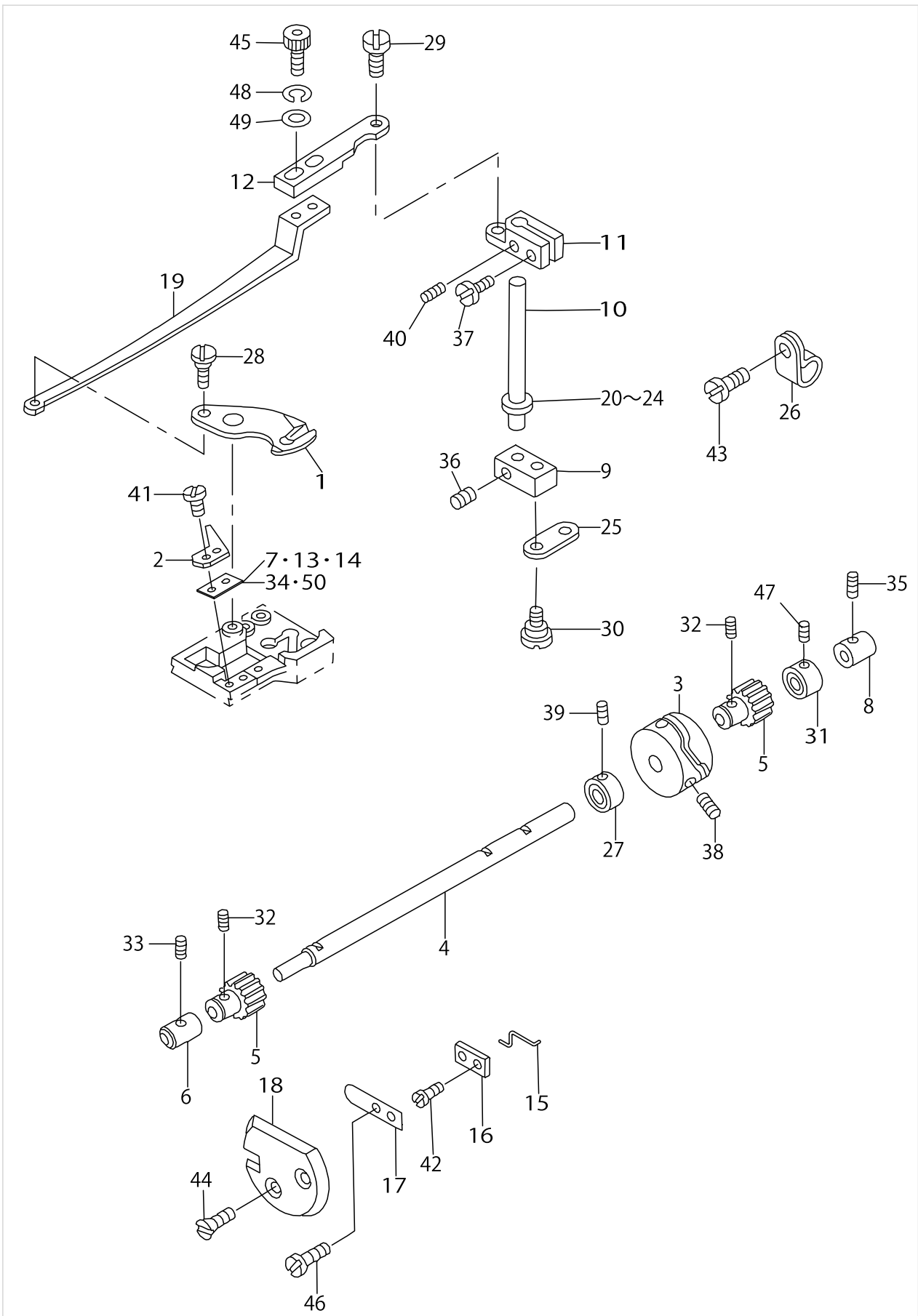
HOOK DRIVING SHAFT COMPONENTS



HOOK DRIVING SHAFT COMPONENTS

No.	Supply Code	Parts No.	Replacement	Parts name	Remarks	Choice	Step	Level	Cons	Qty	Rep. QTY
1	D	21286000		LOWER SHAFT						1	
2		21208707		BUSHING REAR						1	
3		D1830141EA0		HOOK ASM. (KHS20-RMPN)						1	
4		B1806038000		OIL FELT						2	
5		D1837145EAA		BOBBIN CASE ASM.						1	
6		D9117141E00		BOBBIN						1	
7		SS8151550SP		SCREW15/64-28L=15						1	
8		B183924500A		THRUST PLATE	SELECTIVE PARTS					1	
9		B183924500B		THRUST PLATE						1	
10		B183924500C		THRUST PLATE	SELECTIVE PARTS					1	
11		21136205		BUSHING FRONT						1	
12		21136304		BUSHING FRONT	SELECTIVE PARTS					1	

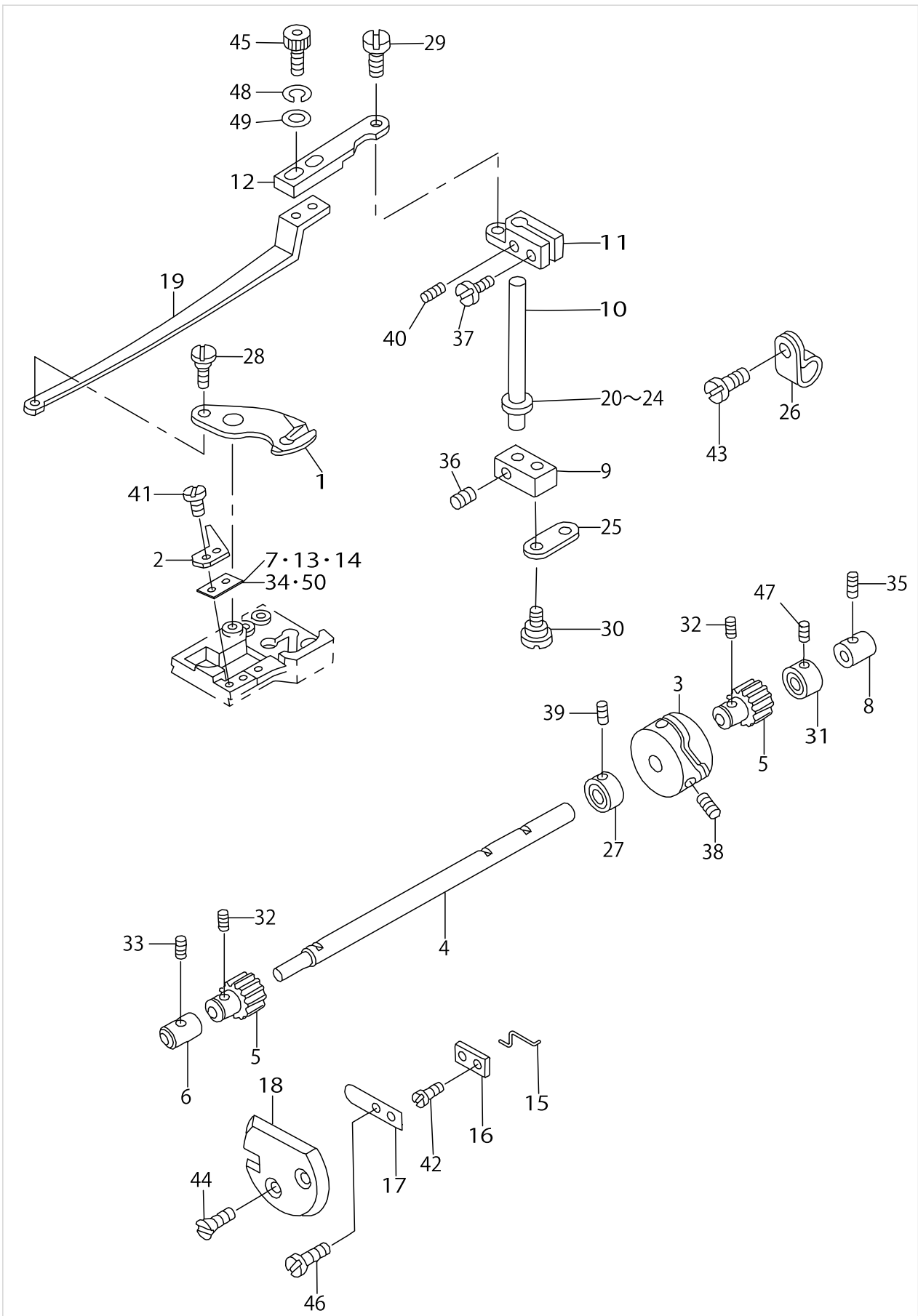
THREAD TRIMMER COMPONENTS(1)



THREAD TRIMMER COMPONENTS(1)

No.	Supply Code	Parts No.	Replacement	Parts name	Remarks	Choice	Step	Level	Cons	Qty	Rep. QTY
1		D2401245E00		MOVING KNIFE						1	
2		D2402245E00		COUNTER KNIFE						1	
3		D2403245E00		THREAD TRIMMER CAM						1	
4		D2404245E00		CAM SHAFT						1	
5		D2405245E00		CAM SHAFT GEAR						2	
6		D2406245E0A		HOOK SHAFT BUSHING FRONT						1	
7		21212907		SUPPORT PLAT	SELECTIVE PARTS					1	
8		21136601		CAM SHAFT BUSHING REAR						1	
9		D2412245E00		KNIFE DRIVING SHAFT ARM A						1	
10	D	D2413245E00		DRIVING SHAFT B						1	
11		D2419245E00		KNIFE DRIVING LINK B						1	
12		D2420145E00		KNIFE DRIVING PLATE B						1	
13		21212808		SUPPORT PLAT						1	
14		21212600		SUPPORT PLAT	SELECTIVE PARTS					1	
15		D2424145E00		PICKER						1	
16		D2425245E00		PICKER HOLDER PLATE						1	
17		D2426245E00		SPRING						1	
18		D2429145E00		PICKER COVER						1	
19		D2431245E00		KNIFE DRIVING PLATE A						1	
20		B185351200AA		HOOK SHAFT WASHER A	SELECTIVE PARTS					1	
21		B185351200BA		HOOK SHAFT WASHER B	SELECTIVE PARTS					1	
22		B185351200CA		HOOK SHAFT WASHER C						1	
23		B185351200D		HOOK SHAFT WASHER	SELECTIVE PARTS					1	
24		B185351200E		HOOK SHAFT WASHER	SELECTIVE PARTS					1	
25		D2436141E00		CONNECTING LINK						1	
26		D2120555C00		CORD PRESSER (120V)						1	
27		D2432245E00		THRUST COLLER						1	
28		D2433245E00		HINGE SCREW						1	
29		SD0640321SP		HINGE SCREW D=6.35 H=3.2						1	
30		D2441141E00		HINGE SCREW						2	
31		D1841141E00		THRUST COLLAR						1	
32		SS8660530TP		SCREW 1/4-40 L=4.5						4	
33		SS8151230SP		SCREW 15/64-28 L=12						1	
34		21213004		SUPPORT PLATE	SELECTIVE PARTS					1	
35		SS8151230SP		SCREW 15/64-28 L=12						1	
36		SS7110540SP		SCREW 11/64-40 L=5						2	
37	R	SS7111410SP	SS7111410TP	SCREW 11/64-40 L=14						1	1.00
38		SS8660612TP		SCREW 1/4-40 L=6						2	
39		D2434245E00		SCREW						2	
40		SS8090410SP		SCREW 9/64-40 L=3.5						1	
41		SS7060310SP		SCREW 3/32-56 L=3						2	
42		D2435245E00		SCREW						2	
43		SS7110710SP		SCREW 11/64-40 L=7						1	
44		D2436245E00		SCREW						2	
45		SS7091410SP		SCREW 9/64-40 L=13.5						2	
46		SS5060310SP		SCREW 3/32-56 L=2.8						2	

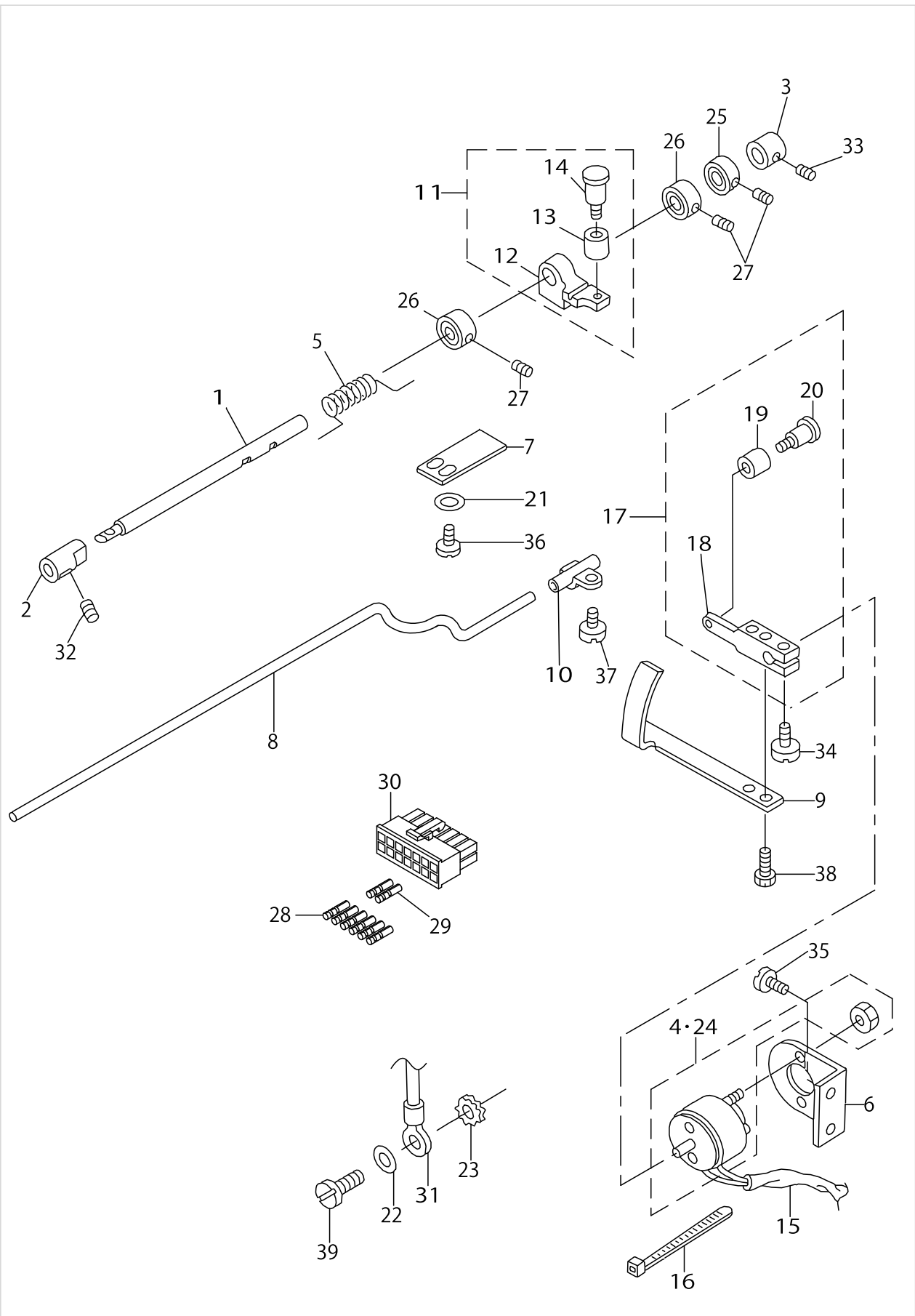
THREAD TRIMMER COMPONENTS(1)



THREAD TRIMMER COMPONENTS(1)

No.	Supply Code	Parts No.	Replacement	Parts name	Remarks	Choice	Step	Level	Cons	Qty	Rep. QTY
47		SS8660410SP		SCREW 1/4-40 L=4.2						2	
48		WS0410002KN		SPRING WASHER						2	
49		WP0371026SD		WASHER 3.7X7X1						2	
50		21212709		SUPPORT PLAT	SELECTIVE PARTS					1	

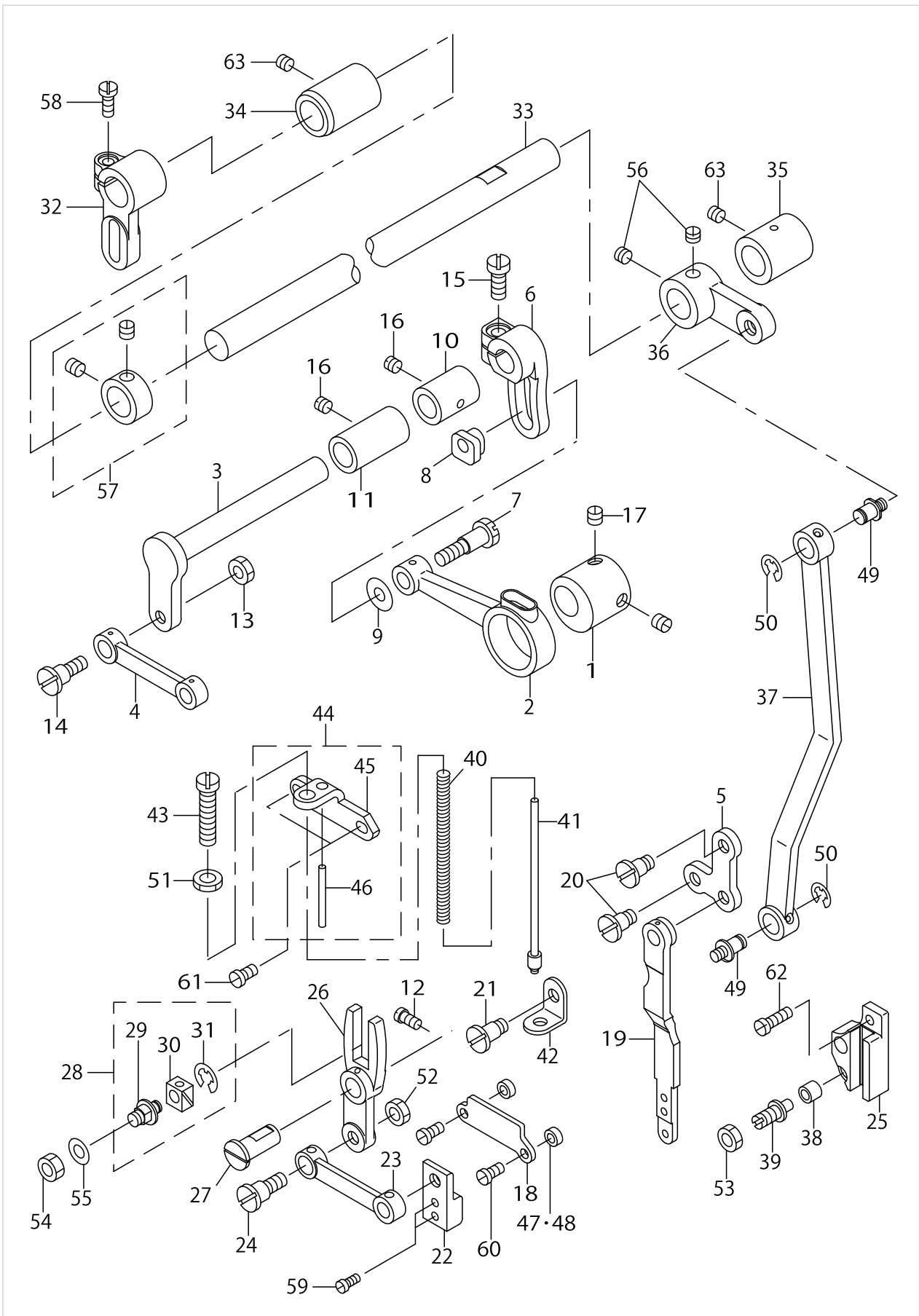
THREAD TRIMMER COMPONENTS(2)



THREAD TRIMMER COMPONENTS(2)

No.	Supply Code	Parts No.	Replacement	Parts name	Remarks	Choice	Step	Level	Cons	Qty	Rep. QTY
1		D2409245E00		DRIVING SHAFT A						1	
2		D2410245E00		BUSHING FRONT						1	
3		D2411245E00		BUSHING REAR						1	
4		D2414245E00		SOLENOID	FOR DSU-- 144-4,-7(SC-1)					1	
5		D2416245E00		SPRING						1	
6		D2418245E00		SOLENOID BASE						1	
7		D2421245E00		CAM ROLLER ARM HOLDER						1	
8		D2427145E00		PICKER DRIVING BAR						1	
9		D2428245E00		PICKER DRIVING PLATE						1	
10	D	D2430245EA0		PICKER DRIVING B- AR HOLDER ASM.						1	
11		D2417245EA0		CAM ROLLER ARM ASM.						1	
12		D2417245E00		CAM ROLLER ARM				*		1	
13		B3031141H00		CONNECTING STUD				*		1	
14		D2423245E00		CAM ROLLER ARM				*		1	
15		D2428141E00		CORD TUBE 5X0.4						1	
16		GES12153000		OIL WICK HOLDER						2	
17		D2415245EA0		SOLENOID ARM ASM.						1	
18		D2415245E00		SOLENOID ARM				*		1	
19		B3031141H00		CONNECTING STUD				*		1	
20		D2423245E00		CAM ROLLER ARM				*		1	
21		WP0371026SD		WASHER 3.7X7X1						2	
22		WP0501016SD		WASHER 5X10.5X1						1	
23		WT0530002KS		TOOTHED WASHER D=5.3						1	
24		D2414245E0A		SOLENOID	FOR DSU-- 144-7(SC-380)					1	
25		D2432245E00		THRUST COLLER						1	
26		D2432245E0A		THRUST COLLAR A						1	
27		D2434245E00		SCREW						6	
28		HK03464000B		PIN CONTACT	FOR DSU-144-7-0B					6	
29		HK03464000B		PIN CONTACT	FOR DSU-144-7-00					2	
30		HK034610140		HOUSING 14P	FOR DSU-144-7					1	
31		D6037245GA0		GROUND WIRE ASM.	FOR DSU-- 144-7(SC-1)					1	
32		SS8151230SP		SCREW15/64-28L=12						1	
33		SS8151230SP		SCREW15/64-28L=12						1	
34	R	SS7110910SP	SS7110910TP	SCREW 11/64-40 L=8.5						1	1.00
35	R	SS7110910SP	SS7110910TP	SCREW 11/64-40 L=8.5						2	1.00
36		SS6090810SP		SCREW 9/64-40 L=7.5						2	
37		SS7110710SP		SCREW 11/64-40 L=7						1	
38		SS6090510TP		SCREW 9/64-40 L=5.0						2	
39		SS7110710SP		SCREW 11/64-40 L=7						1	

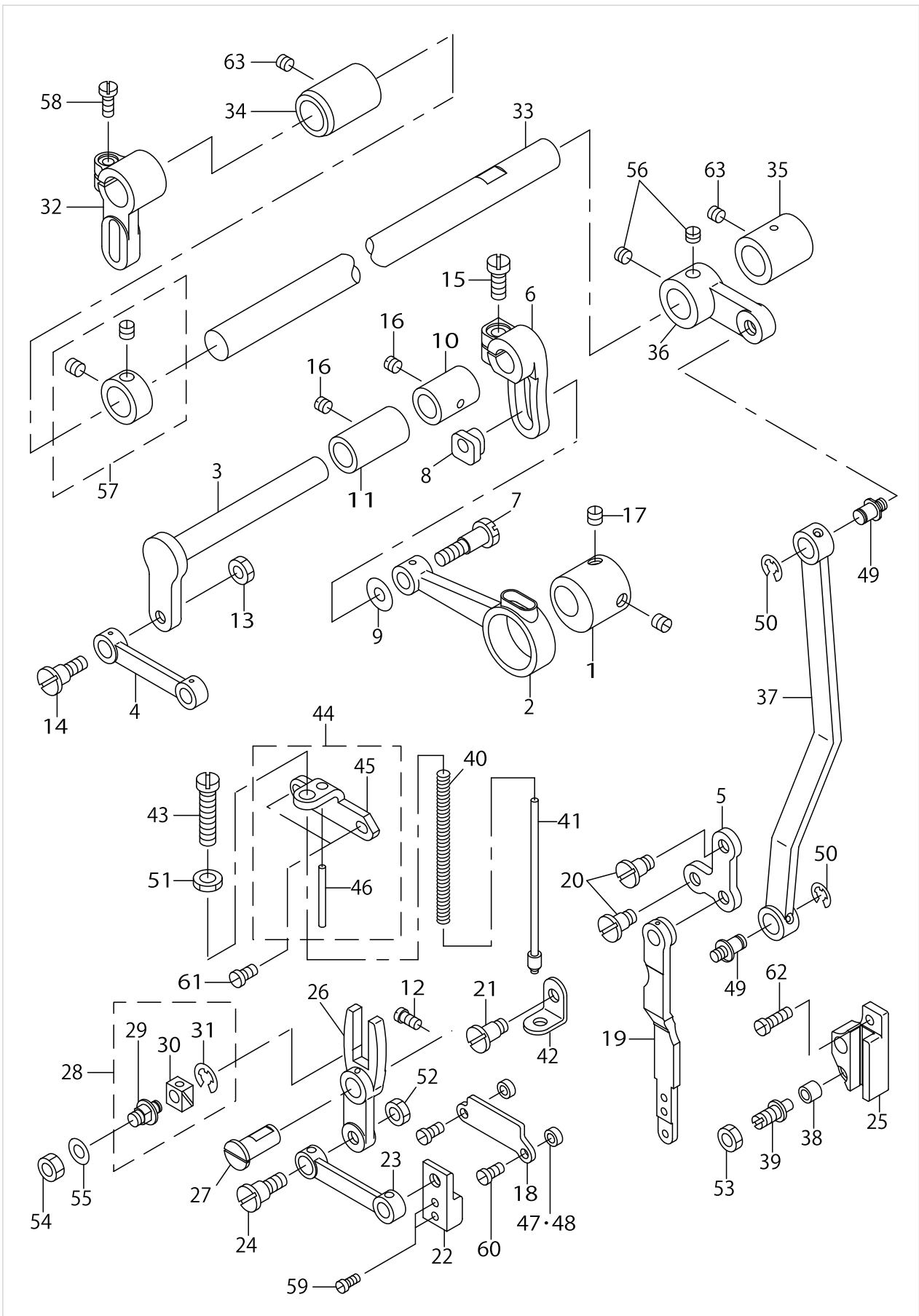
UPPER FEED MECHANISM COMPONENTS



UPPER FEED MECHANISM COMPONENTS

No.	Supply Code	Parts No.	Replacement	Parts name	Remarks	Choice	Step	Level	Cons	Qty	Rep. QTY
1		B3001141H00		FEED DRIVE ECCENTRIC CAM						1	
2		B3002141H00		CRANK CONNECTING ROD						1	
3		B3003141H00A		UPPER FEED DRIVING SHAFT						1	
4		B3005141H00		CONNECTING LINK						1	
5		B3006141H00		L-SHAPED LINK						1	
6	R	B3007141H00	B3007141HA0	UPPER FEED SPRING ROD						1	1.00
7		B3008141H00		HINGE SCREW						1	
8		B3009141H0A		NUT						1	
9		B3010141H00		WASHER						1	
10		B3011141H00		BUSHING						1	
11		B3011141H0A		BUSHING FRONT						1	
12		SS7120910TP		SCREW 3/16-28 L=9						1	
13		NS6150310SP		NUT 15/64-28						1	
14		SD0850751SP		HINGE SCREW D=8.50 H=7.5						1	
15		SS6151440SP		SCREW 15/64-28L=14						1	
16		SS8150510TP		SCREW 15/64-28 L=4.7						2	
17		SS8660610TP		SCREW 1/4-40 L=6						2	
18		B3012141H00A		WALKING BAR DRIVING LINK						1	
19	R	B3014141H00B	40022000	L-SHAPED ROD						1	1.00
20		B3015141H00		HINGE SCREW						3	
21		B3016141H00		HINGE SCREW B						1	
22		B3017141H00B		CONNECTING LINK HOLDER						1	
23		B3005141H00		CONNECTING LINK						1	
24		SD0850751SP		HINGE SCREW D=8.50 H=7.5						1	
25		B3020141H00		SLIDE BLOCK GUIDE						1	
26		B3038141H00		SLIDE FORK						1	
27		21272802		BRANCH LINK SHAFT						1	
28		B3023141HA0A		SLIDE BLOCK ASM.						1	
29	R	B3023141H00A	B3023141HA0A	SLIDE BLOCK PIN				*		1	1.00
30	R	B3024141H00	B3023141HA0A	SLIDE BLOCK				*		1	1.00
31		RE0400000K0		E-RING 4				*		1	
32		B3025141H00A		CONNECTING ARM						1	
33		B3026141H00		UPPER FEED DRIVING SHAFT						1	
34		10106102		BUSHING						1	
35		B3028141H00		BUSHING REAR						1	
36		B3029145000		CRANK						1	
37		B3030145000		NEEDLE BAR FRAME ROD						1	
38		B3031141H00		CONNECTING STUD						1	
39		B3032141H00		CONNECTING STUD SHAFT						1	
40		B3033141H00		SPRING						1	
41		B3034141H00		SPRING POLE						1	
42		B3035141H00		RETAINING PLATE						1	
43		B3036141H00		ADJUSTING THUMB SCREW						1	
44		B3037141HA0		SPRING BASE ASM.						1	
45		B3037141H00		SPRING BAR				*		1	
46		PS0300322K0		SPRING PIN				*		1	

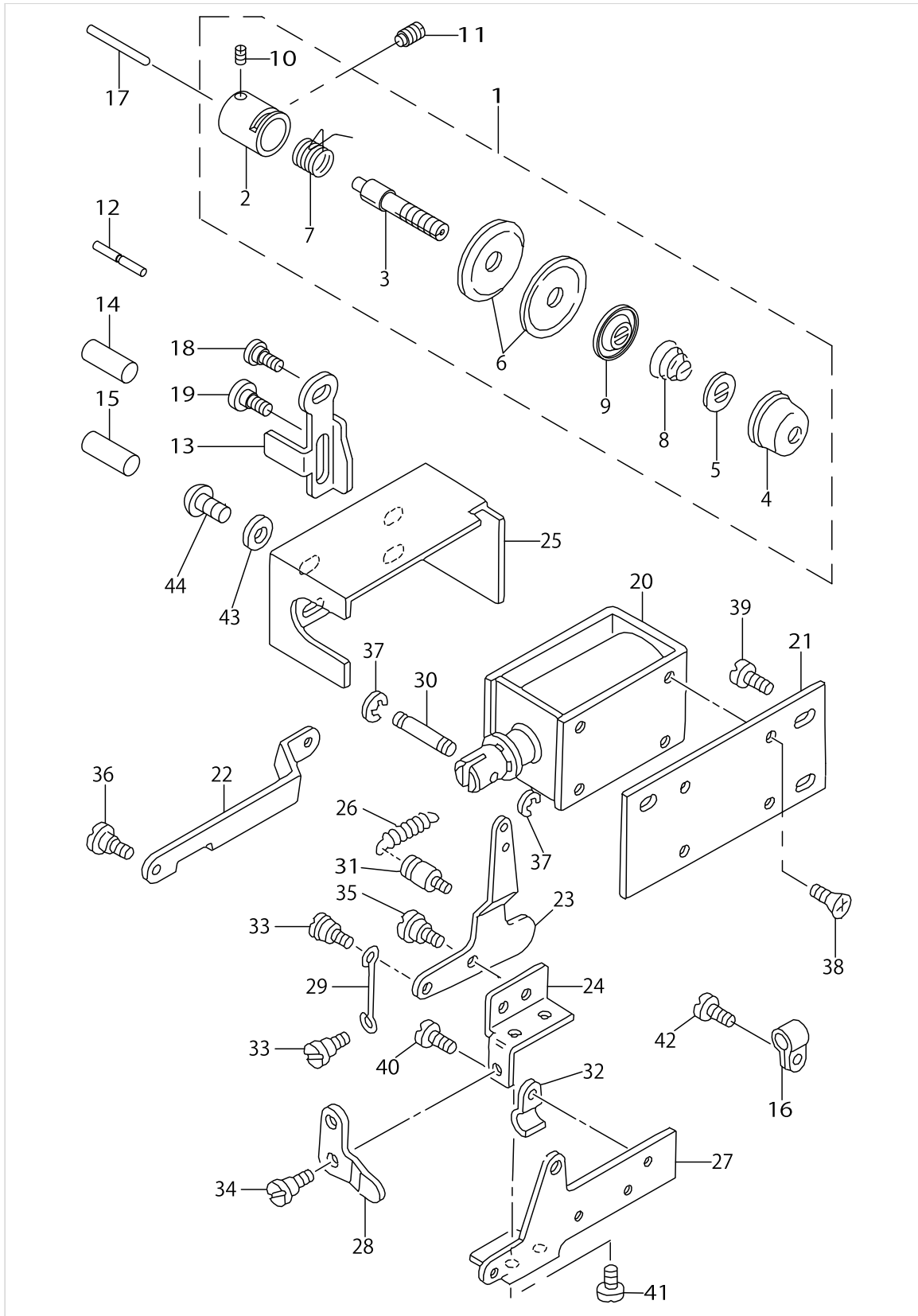
UPPER FEED MECHANISM COMPONENTS



UPPER FEED MECHANISM COMPONENTS

No.	Supply Code	Parts No.	Replacement	Parts name	Remarks	Choice	Step	Level	Cons	Qty	Rep. QTY
47		B3013141H0A		WASHER						2	
48		B3013141H0B		WASHER	SELECTIVE PARTS					2	
49		B1424158000		HINGE SCREW						2	
50		RE0700000K0		E-RING 7						2	
51		NS6680320SP		NUT 9/32-28						1	
52		NS6150310SP		NUT 15/64-28						1	
53		NS6660430SP		NUT 1/4-40						1	
54		NS6160520SP		NUT 1/4-24						1	
55		WP0650876SD		WASHER 6.5X13X0.8						1	
56		SS8660530TP		SCREW 1/4-40 L=4.5						2	
57		22904155		MAIN SHAFT THRU-ST COLLAR ASM.						1	
58		SS6121210SP		SCREW 3/16-28 L=12						1	
59	R	SS7091110SP	SS7091110TP	SCREW 9/64-40 L=10.5						2	1.00
60	R	SS7110910SP	SS7110910TP	SCREW 11/64-40 L=8.5						2	1.00
61	R	SS7111120SP	SS7111120TP	SCREW 11/64-40 L=10.5						2	1.00
62		SS7111410TP		SCREW 11/64-40 L=14						3	
63		SS8150750SP		SCREW 15/64-28 L=7						2	

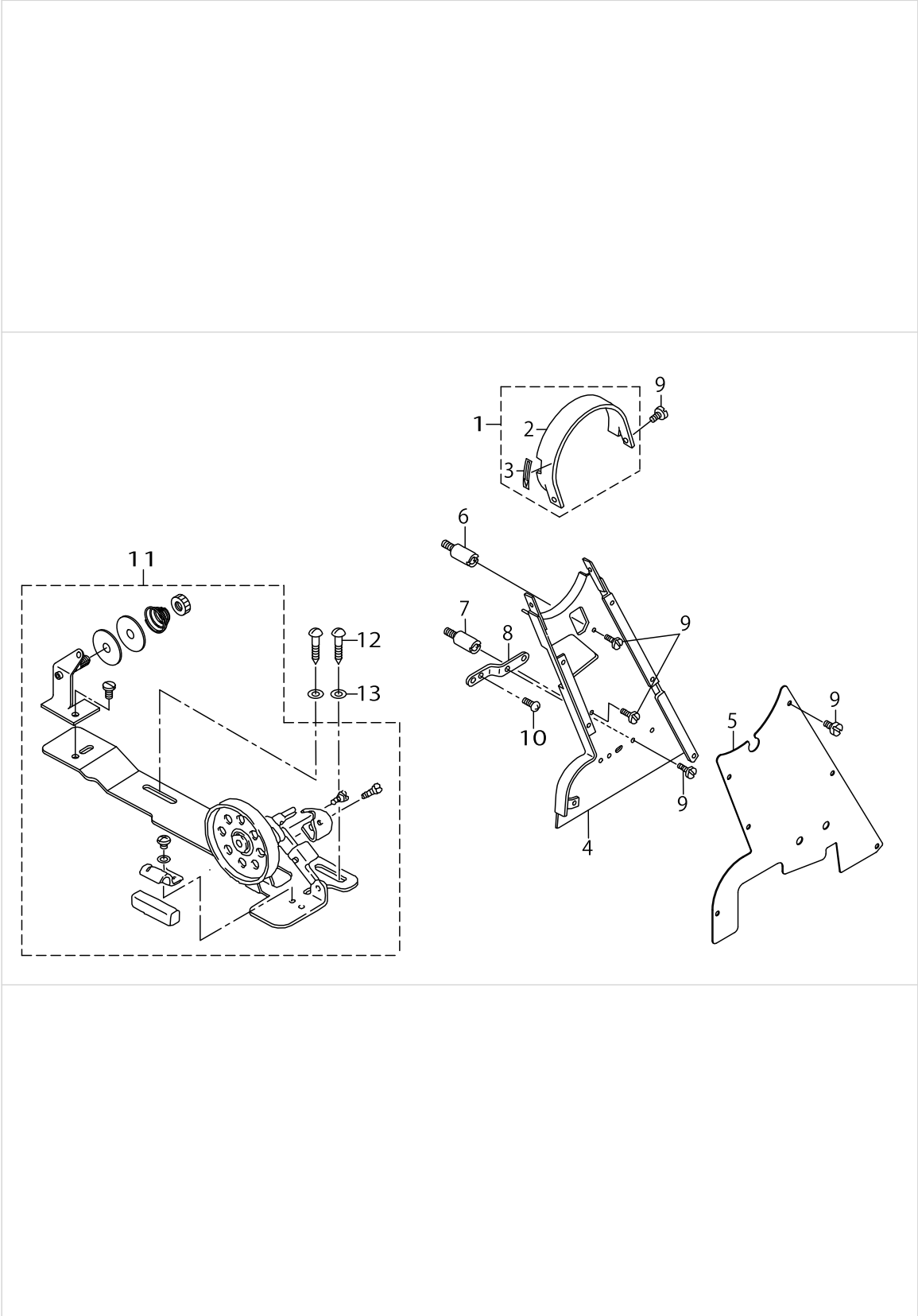
THREAD TENSION COMPONENTS



THREAD TENSION COMPONENTS

No.	Supply Code	Parts No.	Replacement	Parts name	Remarks	Choice	Step	Level	Cons	Qty	Rep. QTY
1		D3111141EAA		THREAD TENSION ASM.						1	
2	R	B3111126000	22945307	TENSION POST SOCKET				*		1	1.00
3		B3115552000		TENSION POST				*		1	
4		11018900		TENSION NUT				*		1	
5		B3120125000		ROTATING STOPPER				*		1	
6	R	B3126012000	22921506	THREAD TENSION DISK				*		2	1.00
7	R	B3128012000	22921605	TAKE-UP SPRING				*		1	1.00
8		B3129053000		TENSION SPRING				*		1	
9		B3132552000		THREAD TENSION DISK PRESSER				*		1	
10		SS8090670SP		SCREW 9/64-40 L=5.5				*		1	
11	R	SS8150710SP	SS8150710TP	SCREW 15/64-28 L=7						1	1.00
12		26028001		STOP MOTION LEVER SPRING PIN						2	
13		B3134141H00		TENSION RELEASE PLATE						1	
14		D3142141E00		PIN B	SELECTIVE PARTS					1	
15		D3142141E0A		PIN B						1	
16		EA9502B0500		CABLE CLIP						1	
17		B3118552F00		TENSION RELEASING PIN						1	
18		SD0600271SP		HINGE SCREW D=6 H=2.7						1	
19		SD0600321SP		HINGE SCREW D=6 H=3.2						1	
20		D3153141E00		TENSION RELEASE SOLENOID						1	
21		D3154141E00		SOLENOID INSTALLING PLATE						1	
22	D	D3155141E00		SOLENOID ROD						1	
23	D	D3152141E00		TENSION RELEASE LINK B						1	
24		D3151141E00		TENSION RELEASE BRACKET						1	
25		D3157141E00		SOLENOID COVER						1	
26		D3149141E00		SPRING						1	
27	D	D3160141E00		TENSION RELEASE PLATE						1	
28	D	D3158141E00		TENSION RELEASE LINK A						1	
29		D3159141E00		CONNECTING BAR						1	
30		D3156141E00		SOLENOID PIN						1	
31		10120004		SPRINGSUSPENSION						1	
32		B3538112000		OIL RETURN TUBE HOLDER						1	
33		SD0550271TP		HINGE SCREW D=5.50 H=2.7						2	
34		SD0640321SP		HINGE SCREW D=6.35 H=3.2						1	
35		SD0630301SP		HINGE SCREW D=6.35 H=3						1	
36		SD0550271TP		HINGE SCREW D=5.50 H=2.7						1	
37		RE025000K0		E-RING 2.5						2	
38		SM1030601SA		SCREW M3 L=6						4	
39	R	SS7110910SP	SS7110910TP	SCREW 11/64-40 L=8.5						3	1.00
40		SS7110710SP		SCREW 11/64-40 L=7						3	
41		SS7120640SP		SCREW 3/16-28 L=6						2	
42		SS7110710SP		SCREW 11/64-40 L=7						1	
43		WP0320501SC		WASHER M3						4	
44		SM4030601SC		SCREW M3 L=6						4	

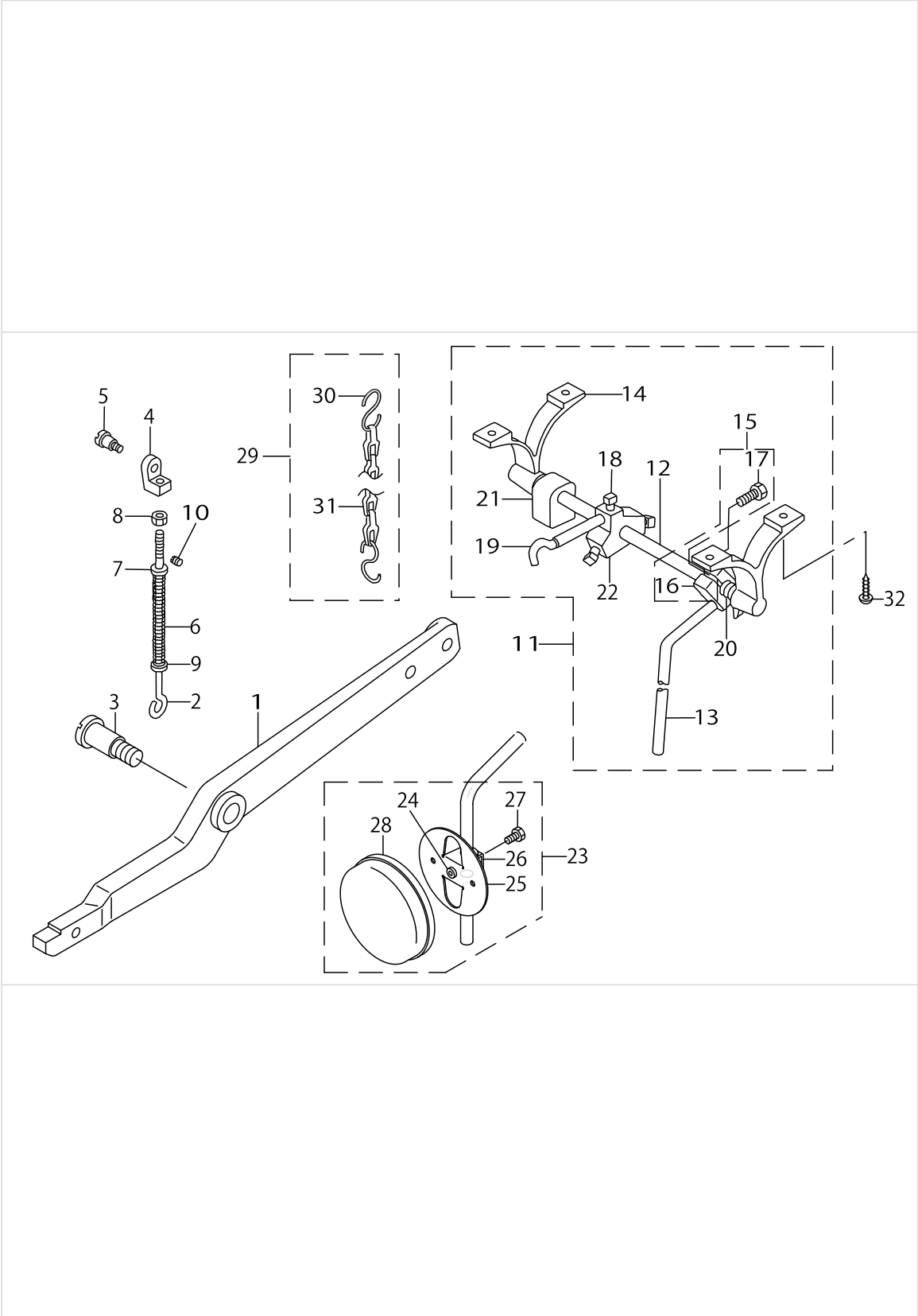
BELT COVER & BOBBIN WINDER COMPONENTS



BELT COVER & BOBBIN WINDER COMPONENTS

No.	Supply Code	Parts No.	Replacement	Parts name	Remarks	Choice	Step	Level	Cons	Qty	Rep. QTY
1		B91011450AA		TOP COVER (WITH LABEL)						1	
2		B910114500A		TOP COVER				*		1	
3		CM500300001		DIRECTION LABEL				*		1	
4		B91021450AA		BELT COVER COMPL.						1	
5		21286901		BELT COVER						1	
6		B9106145000		BELT COVER SUPPORT STUD A						1	
7		B9107145000		BELT COVER SUPPORT STUD B						1	
8		B9108145000		BELT COVER SUPPORT PLATE						1	
9		SS6110480SP		SCREW 11/64-40 L=4.3						12	
10		SS7151210SP		SCREW 15/64-28 L=12						2	
11		11415866		BOBBIN WINDER COMPL						1	
12	R	SK3482500SC	SK3482501SE	WOOD SCREW D=4.8 L=25						2	1.00
13		WP0501016SC		WASHER 5X10.5X1						2	

KNEE LIFTER COMPONENTS



KNEE LIFTER COMPONENTS

No.	Supply Code	Parts No.	Replacement	Parts name	Remarks	Choice	Step	Level	Cons	Qty	Rep. QTY
1		D3410141E0AA		KNEE LIFTER						1	
2		B3415145000		LIFTING LEVER CONNECTING ROD						1	
3		SD0991551SP		HINGE SCREW D=9.9 H=5.5						1	
4		B3416141H00A		SWIVEL						1	
5		SD0790351SP		HINGE SCREW D=7.9 H=3.5						1	
6		B3414245000		SPRING						1	
7		CS0510713SD		SPRING REST						1	
8		NS6620310SP		NUT 3/16-32						1	
9		WP0621016SD		WASHER 6.2X13X1						1	
10		SS7110540SP		SCREW 11/64-40 L=5						1	
11		B34202450A0		KNEE LIFTER ASM.						1	
12		B3420245000		MAIN SHAFT				*		1	
13		B3422245000		KNEE LIFTER PLATE ROD				*		1	
14		B3423245000		KNEE PRESS ROD HOLDER				*		2	
15		22932453		BRACKET ASM.				*		1	
16	R	22932404	22932453	BRACKET				*		1	1.00
17		22934707		SCREW				*		2	
18	R	B3425141H00	SS9201813CP	MOUNTING BRACKET SET SCREW				*		3	1.00
19		B3424245000		KNEE LIFTER PLATE ARM				*		1	
20		B3425245000A		SPRING				*		1	
21		B3434141H00		BRACKET				*		1	
22		B3424141H00		MOUNTING BRACKET				*		1	
23	R	B34262450A0	23037856	KNEE PAD PLATE ASM.						1	1.00
24		22934400		KNEE PAD PLATE RUBBER				*		1	
25		22934202		KNEE PAD PLATE				*		1	
26		22934301		KNEE PAD PLATE SUPPORT				*		1	
27		SM9061203SE		SCREW M6 L=12				*		1	
28		22934509		KNEE PAD PLATE COVER				*		1	
29		B34212450A0		CHAIN ASM.						1	
30		13160304		S SHAPED HOOK				*		2	
31		B3421245000		CHAIN				*		1	
32		SK1483201SE		WOOD SCREW D=4.8 L=32						4	

TABLE COMPONENTS

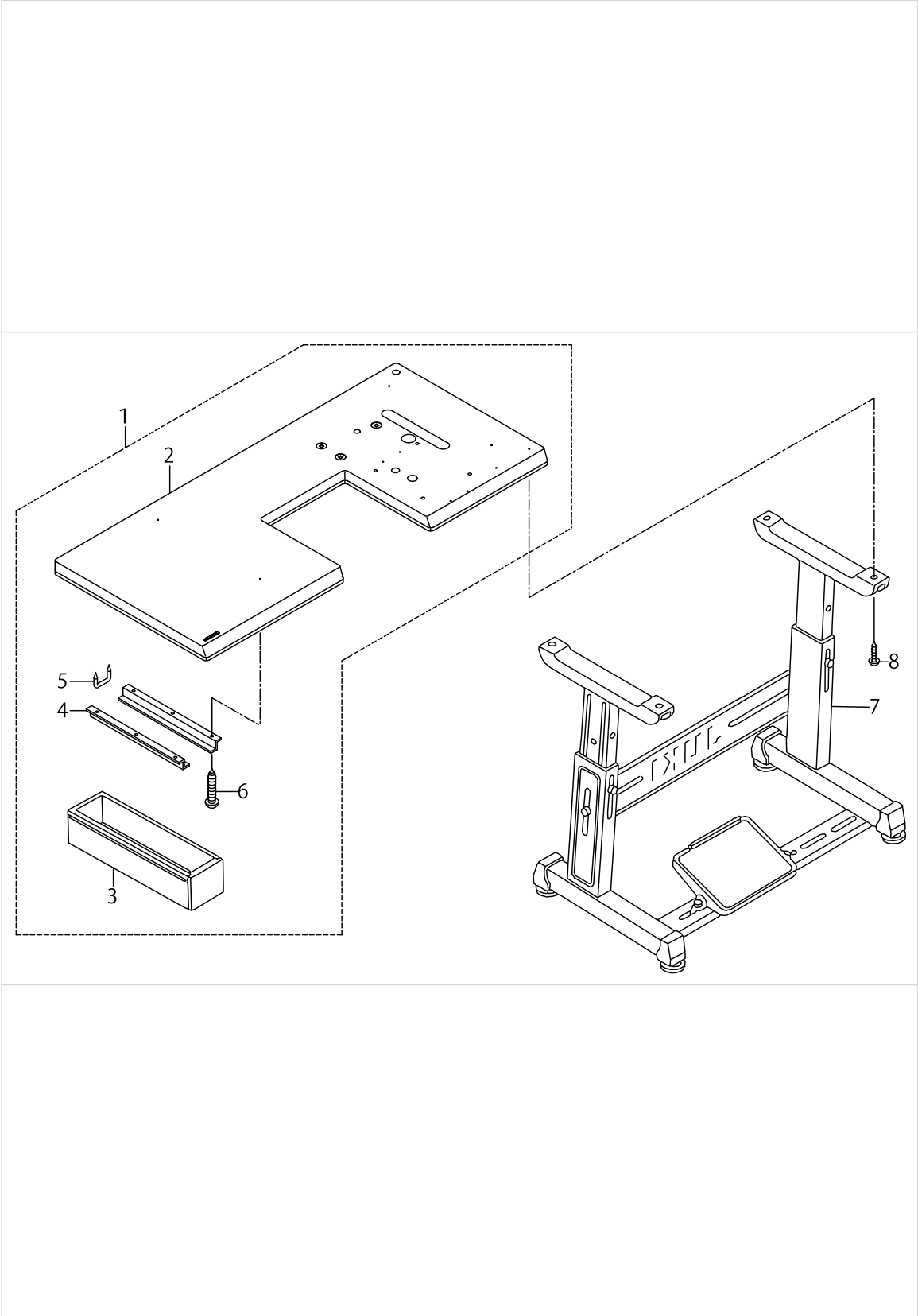
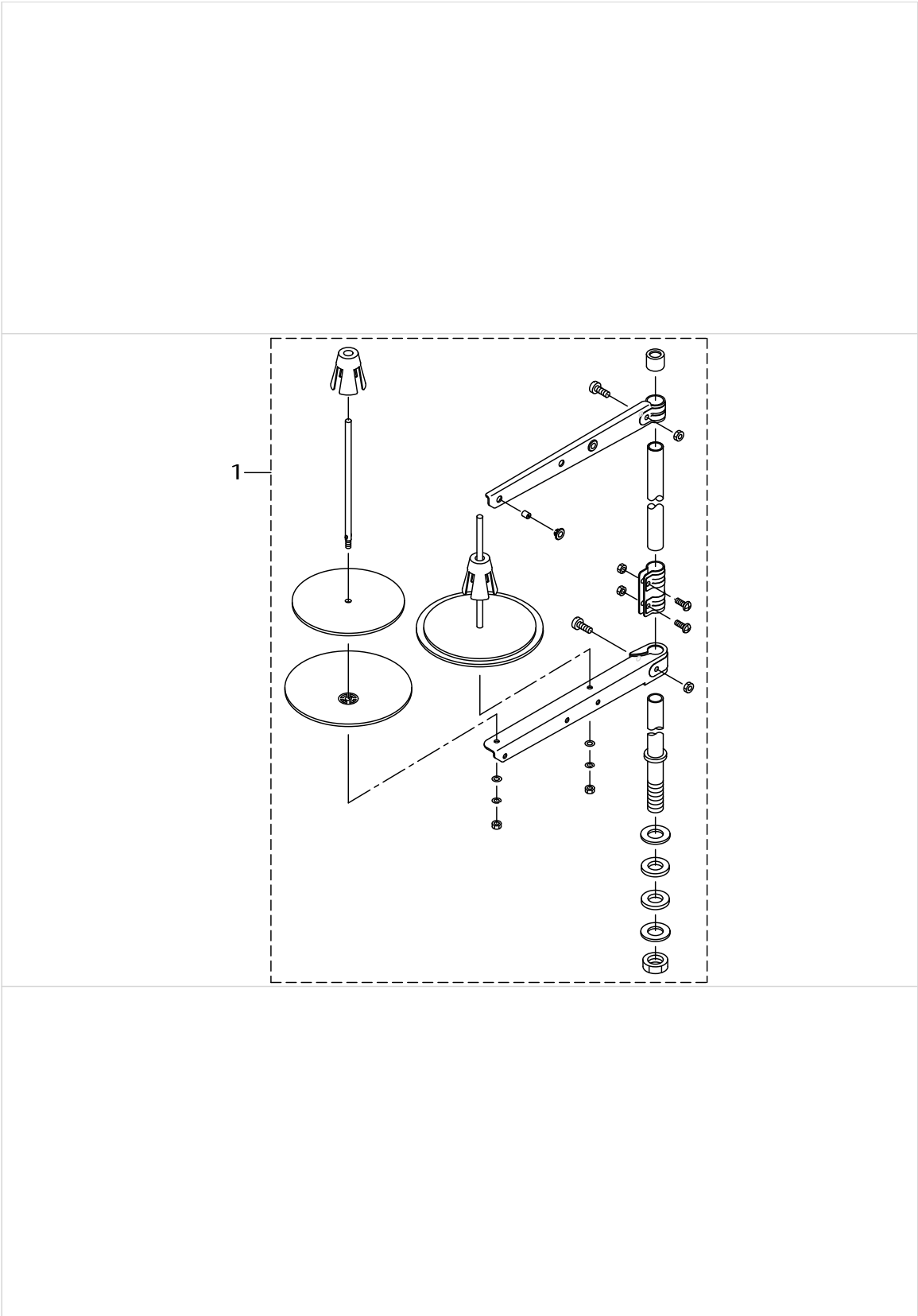


TABLE COMPONENTS

No.	Supply Code	Parts No.	Replacement	Parts name	Remarks	Choice	Step	Level	Cons	Qty	Rep. QTY
1		D8201145GA0		TABLE ASM.						1	
2		D8201145G00		TABLE				*		1	
3	R	11849502	11849551	DRAWER				*		1	1.00
4		B8204012000		DRAWER SUPPORT				*		2	
5		D8204555D00		DRAWER STOPPER				*		1	
6		SK3311600SE		WOOD SCREW D=3.1 L=16				*		6	
7		11157567		T LEG JUNCTION						1	
8	R	SK3513200SC	SK3513201SE	WOOD SCREW D=5.1 L=32						4	1.00

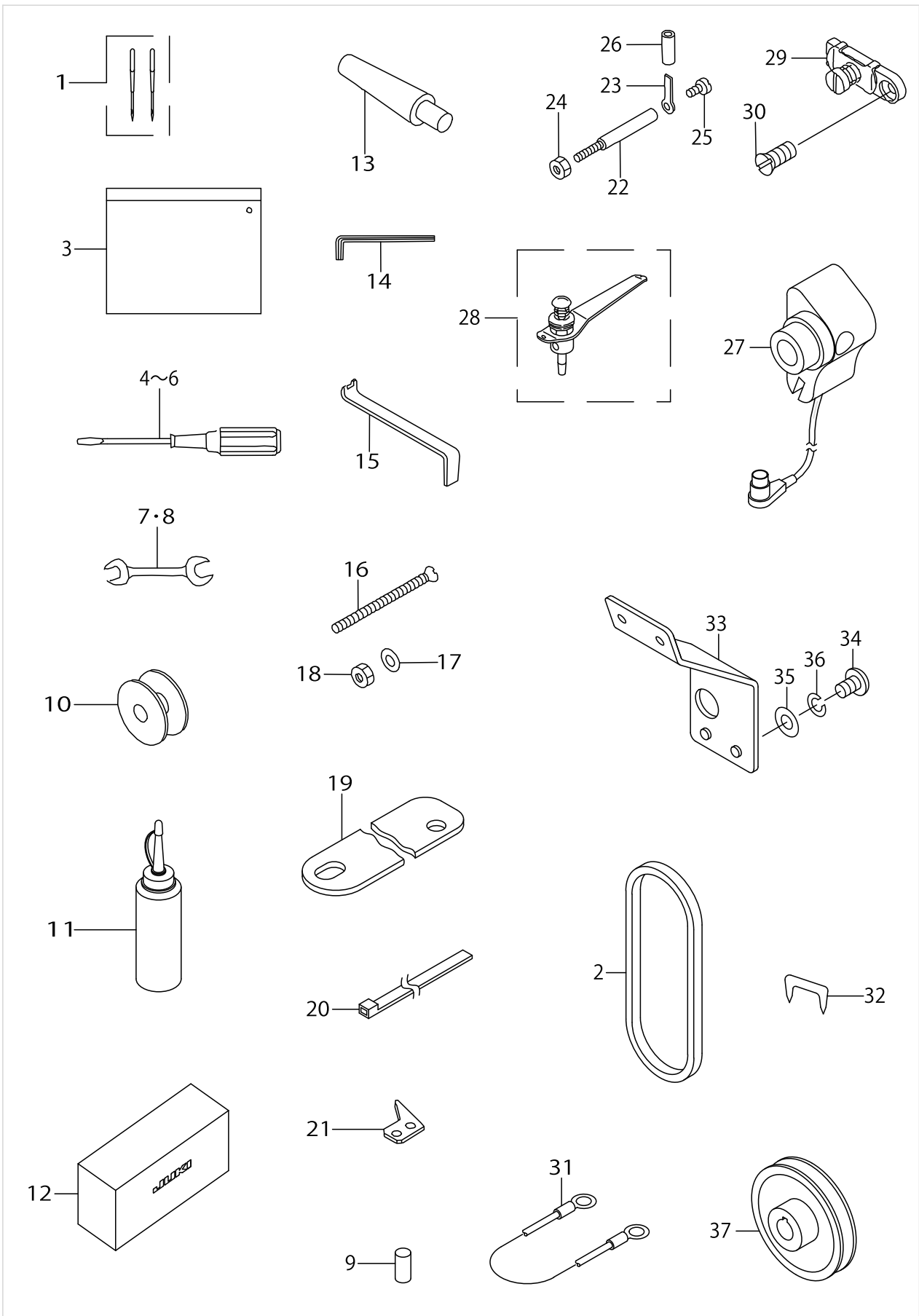
THREAD STAND COMPONENTS



THREAD STAND COMPONENTS

No.	Supply Code	Parts No.	Replacement	Parts name	Remarks	Choice	Step	Level	Cons	Qty	Rep. QTY
1		40096354		THREAD STAND ASM.						1	

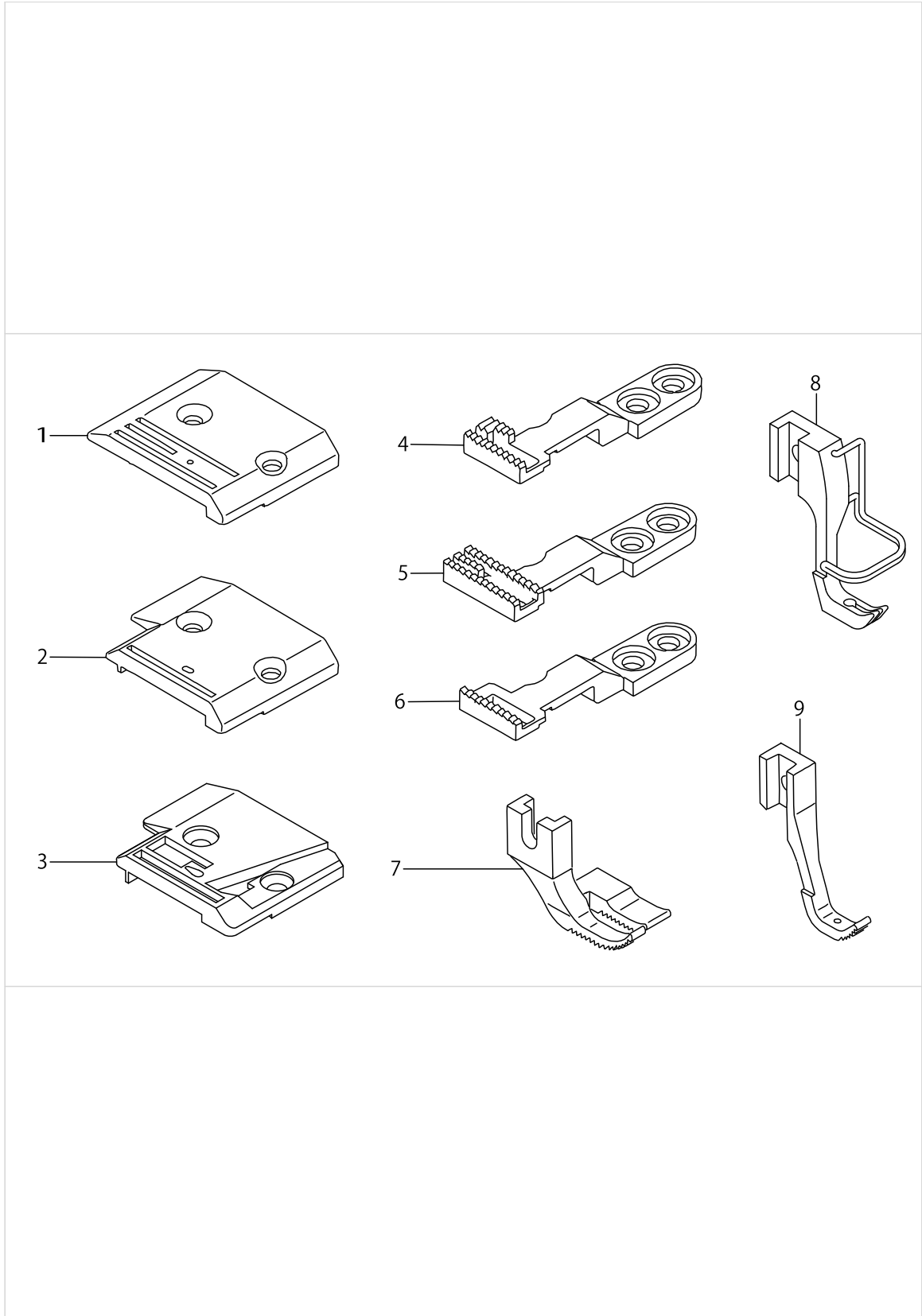
ACCESSORIES PARTS COMPONENTS



ACCESSORIES PARTS COMPONENTS

No.	Supply Code	Parts No.	Replacement	Parts name	Remarks	Choice	Step	Level	Cons	Qty	Rep. QTY
1		M13517B1302		NEEDLE 135X17 #130-2						1	
2		MTJVM00520A		V BELT	FOR DSU-144-7					1	
3	R	B9101552000	22932800	ACCESSORY BOX						1	1.00
4		22933006		SCREW DRIVER LARGE						1	
5		22933105		SCREW DRIVER MIDDLE						1	
6		22933204		SCREW DRIVER SMALL						1	
7	R	B9112012000	26034702	WRENCH (11X14)						1	1.00
8		B9113012000		WRENCH (9X10)						1	
9		B163214500E		VERTICAL FEED PIN						1	
10		D9117141E00		BOBBIN						1	
11		B9121141HA0		OILER ASM.						1	
12		22933303		VINYL COVER						1	
13		B820424500A		FRAME SUPPORT BAR						1	
14		J106600000F		HEXAGONAL WRENCH KEY						1	
15		B9111245000		WRENCH						1	
16		B9130245000		BOLT						4	
17		WP0751576SD		WASHER 7.5X19X1.5						4	
18		NM6060001SD		NUT M6						4	
19		B9110245000		RUBBER PACKING						2	
20		GES12153000		OIL WICK HOLDER						1	
21		D2402245E00		COUNTER KNIFE						1	
22		D7101245E00		SYNCHRONIZER HOLDER STUD						1	
23		D7102245E00		SYNCHRONIZER HOLDER PLATE						1	
24		NS6150430SP		NUT 15/64-28						1	
25		SS7110710SP		SCREW 11/64-40 L=7						1	
26		BT0630520Z0		HOLDER COVER						1	
27		40026920		SYNCHRONIZER ASM	FOR DSU-144-7					1	
28		10549657		THREADED GUIDE ASM.						1	
29		D1129141EA0		ARM THREAD GUIDE BOTTOM ASM.						1	
30		SS2090710TP		SCREW 9/64-40 L=7.2						1	
31		10741759		GROUND WIRE ASM.	FOR DSU-- 144-4,-7(M- ACHINE H- EAD DELIV- ERED TO JUS)					1	
32		MAO11532000		CORD STAPLE	FOR DSU-144-4					2	
33		40052256		PANEL THREAD GUIDE						1	
34		SM4040601SC		SCREW M4X0.7 L=6						1	
35		WP0430800SC		WASHER M4						1	
36		WS0410002KN		SPRING WASHER						1	
37		MTSP00750B0		MOTOR PULLEY ASM. P.C.D 75	FOR DSU-144-7					1	

GAUGE COMPONENTS



GAUGE COMPONENTS

No.	Supply Code	Parts No.	Replacement	Parts name	Remarks	Choice	Step	Level	Cons	Qty	Rep. QTY
1		D1105145E0B		THROAT PLATE	OPTIONAL PART (WITH USE OF D1-613-145-E0B)					1	
2		D1105145E0T		THROAT PLATE						1	
3		21291109		THROAT PLATE FOR BINDER	OPTIONAL PART FOR DSU-144-4,-7					1	
4		D1613145E0A		FEED DOG						1	
5		D1613145E0B		FEED DOG						1	
6		D1613145E0T		FEED DOG						1	
7	D	B152614500A		PRESSURE FOOT	OPTIONAL PART (WITH USE OF B1-525-145-00A)					1	
8		D1525141EAA		PRESSER FOOT ASM.						1	
9		B152514500A		PRESSURE FOOT	OPTIONAL PART (WITH USE OF B1-526-145-00A)					1	

LIST FOR INFORMATION OF CHANGE (1)

As to the place changed, refer to the corresponding Rev.No.
 When previous parts(Obsoleted part)and new parts(Added parts)are
 not interchangeable with each other:
 In this case, even obsoleted parts(D.)can be ordered with the
 obsoleted part number, so select the parts with changed dates and
 place your orders.

変更箇所は、該当Rev.No.版をご参照ください。
 部品の互換性がない変更の場合は、削除された品番でも、ご注文できます。

29052800
 No.0674-03 Rev.No.

*A:Added parts追加部品/D:Obsoleted parts削除部品/E:Erratum訂正

* Rev. No.	Page 頁	Ref. No.	Parts No. 品番	* Rev. No.	Page 頁	Ref. No.	Parts No. 品番
D 02	2	3	CM-3002001-A1	A 03	2	3	CM-3013000-01
D 02	2	5	CM-3002000-B1	A 03	2	5	CM-3002000-01
D 02	2	14	B1150-141-H0A-A	A 03	2	14	400-32259
D 02	2	47	100-04109	A 03	2	47	229-01805
D 02	2	64	CM-3002001-01				
D 02	4	4	B1202-141-H00	A 03	4	4	B1202-141-H0A
D 02	4	11	B1308-145-000	A 03	4	11	B1308-012-000
D 02	4	21	SS-8150710-SP	A 03	4	21	SS-8150710-TP
				A 03	4	35	B1203-051-000
				A 03	4	36	TA-0550604-R0
D 02	6	7	B1405-012-000	A 03	6	7	229-01409
D 02	6	9	MDP-170B2100	A 03	6	9	M1351-7B1-300
D 02	6	30	110-71701	A 03	6	30	229-07604
D 02	10	26	SS-7121410-SP	A 03	10	26	SS-7121410-TP
D 02	16	38	SS-6090510-SP	A 03	16	38	SS-6090510-TP
D 02	20	12	B2608-372-000	A 03	20	12	260-28001
D 02	20	44	SM-4030601-SB	A 03	20	44	SM-4030601-SC
D 02	21	14	229-30358				
				A 03	22	15	229-32453
D 02	22	15	B3433-141-H0A	A 03	22	16	229-32404
D 02	22	21	SS-9182010-SN	A 03	22	17	229-34707
D 02	22	22	167-75850	A 03	22	23	B3426-245-OA0
D 02	22	23	B3431-552-000-A	A 03	22	28	229-34509
D 02	22	24	110-24403	A 03	22	24	229-34400
D 02	22	25	110-23702	A 03	22	25	229-34202
D 02	22	26	110-23801	A 03	22	26	229-34301
D 02	22	27	SS-9151540-SR	A 03	22	27	SM-9061203-SE
D 02	22	30	B8133-019-000	A 03	22	30	131-60304
D 02	22	31	SK-1483200-SE	A 03	22	32	SK-1483201-SE
D 02	24	8	ST-9053511-SR	A 03	23	8	SK-3513200-SC
				A 03	24	1	400-96354
D 02	26	1	MDP-170B2102	A 03	26	1	M1351-7B1-302
D 02	26	2	100-39451				
D 02	26	4	B9109-555-000	A 03	26	4	229-33006
D 02	26	5	B9110-012-000	A 03	26	5	229-33105
D 02	26	6	B9111-012-000	A 03	26	6	229-33204

HOW TO MAKE USE OF THIS PARTS LIST

1.Explanation of codes

1)"*"mark.....means this part is changed from the previous parts book.

As to the details of the change, refer to the "List for information of change".

2)"#01".....refer to "Note" explanation at bottom of page.

2.Codes on the "Qty" column

• Each numeral indicates the number of parts required.

• "0.1" and "2.5" indicate the length (in meters) of the respective parts.

3.Parentheses mean that the corresponding part is a subpart that constructs an assembly part.

4.Dotted lines on the Figures indicate assembly parts.

1."注記"欄の記号説明

1) "*"印.....前回のパーツブックに比較して今回変更された部品を意味します。

変更内容は、"変更情報リスト"を参照してください。

2) "#01".....ページ下の"注記"の説明を参照してください。

2.数量欄の数字は、個数を表し、0.1、2.5等の数値は、長さ（単位メートル）を表します。

3.数量欄の（ ）は、組部品を構成している子部品であることを意味します。

4.イラストページの-----枠は、組構成であることを意味します。

NUMERICAL INDEX OF PARTS

PART NO	PAGE	REF NO.	PART NO	PAGE	REF NO.	PART NO	PAGE	REF NO.
10106102	24	34	22934202	32	25	B1408141H00	8	4
10119105	14	15	22934301	32	26	B14115520A0	8	5
10119204	14	14	22934400	32	24	B1414555000	8	6
10119402	14	17	22934509	32	28	B1421141H00	8	35
10119907	14	7	22934707	32	17	B1424158000	12	61
10120004	14	8	26028001	28	12	B1424158000	26	49
10120004	28	31	40026920	38	27	B1501141H00	8	22
10161305	14	16	40032259	2	14	B1509141H00	8	23
10549657	38	28	40052256	38	33	B1510141H00	8	24
10741759	38	31	40096354	36	1	B1510155000	8	25
11018900	28	4	B1114280000	14	6	B1513141H00	8	29
11157567	34	7	B1116246000	2	8	B1515141H00	8	27
11415205	4	15-63	B1117246000	2	17	B152514500A	40	9
11415866	30	11	B1118141H0AA	2	13	B1526145000	8	32
11849502	34	3	B1121141HAAD	2	11	B152614500A	40	7
13160304	32	30	B1123141H0A	2	15-63	B1601145000	10	18
21103304	8	26	B1128246000	2	16	B1603145000	10	33
21136205	16	11-12	B1129141H00	2	12	B1605145000	12	54
21136304	16	11-12	B1131141H00	2	20	B1606145000	10	16
21136601	18	8	B1147141H00	12	58	B1614145000	10	31
21205109	6	6	B1148141H00	12	59	B1618226000	12	46
21208707	16	2	B1156115000	2	19	B1619115000	12	56
21212600	18	7-13-14	B1180245000	4	57	B16191150A0	12	55
21212709	20	34-50	B118324500A	2	1	B1620145000	10	39
21212808	18	7-13-14	B118324500B	2	2	B1621141H00A	10	44
21212907	18	7-13-14	B1202141H0A	6	4	B1622141H00	12	49
21213004	18	34-50	B1203051000	6	35	B16231450A0	10	32
21272802	24	27	B1203141H00	6	5	B1624141H0A	12	53
21286000	16	1	B1210141H00	8	18	B16272260A0	12	47
21286802	8	20	B1211141H00	6	13	B1631245000	10	3
21286901	30	5	B1211226000	6	14	B163214500A	10	11~15
21291109	40	3	B1212012000	6	9	B163214500B	10	11~15
21295308	6	1	B1213012000	6	10	B163214500C	10	11~15
22901409	8	7	B1301145000	6	29	B163214500D	10	11~15
22901805	4	47	B1302201000	6	30	B163214500E	10	11~15
22904155	6	26	B1303271000	6	31	B163214500E	38	9
22904155	26	57	B13050120A0	6	32	B16331220A0	10	41
22906101	8	2	B13061550A0	6	33	B1633245000	10	17
22907604	8	30	B13071550A0	6	34	B1634141H00A	10	40
22932404	32	16	B1308012000	6	11	B1634145000	10	19
22932453	32	15	B13081550A0	6	2	B1635145000	10	20
22933006	38	4~6	B1310012000	6	12	B1636141H0A	12	50
22933105	38	4~6	B1311012000	6	15	B1636145000	10	21
22933204	38	4~6	B1312012000	6	17	B1637141H00	12	51
22933303	38	12	B1401145000	8	1	B1637145000	10	22

NUMERICAL INDEX OF PARTS

PART NO	PAGE	REF NO.	PART NO	PAGE	REF NO.	PART NO	PAGE	REF NO.
B1638141H00	10	7	B3014141H00B	24	19	B3425141H00	32	18
B1638245000	10	23	B3015141H00	24	20	B3425245000A	32	20
B1639145000	10	25	B3016141H00	24	21	B34262450A0	32	23
B1640145000	10	26	B3017141H00B	24	22	B3434141H00	32	21
B1641245000	10	29	B3020141H00	24	25	B35031450A0	2	29
B1642245000	10	30	B3023141H00A	24	29	B3503201000	2	30
B1643145000	10	34	B3023141HA0A	24	28	B3504201000	2	34
B1644245000	10	35	B3024141H00	24	30	B3515201000	2	32
B1645245000	10	36	B3025141H00A	24	32	B3517009000	6	8
B1646201000	12	45	B3026141H00	24	33	B3527012000	2	31
B1646245000	10	37	B3028141H00	24	35	B3538112000	28	32
B1647145000	10	38	B3029145000	24	36	B8204012000	34	4
B1647226000	12	48	B3030145000	24	37	B820424500A	38	13
B1648122000	10	42	B3031141H00	22	19	B910114500A	30	2
B1651245000	12	68	B3031141H00	24	38	B91011450AA	30	1
B1652245000	12	70	B3032141H00	24	39	B9101552000	38	3
B1660145000	12	60	B3033141H00	24	40	B91021450AA	30	4
B1806038000	16	4	B3034141H00	24	41	B9106145000	30	6
B183924500A	16	8	B3035141H00	24	42	B9107145000	30	7
B183924500B	16	9	B3036141H00	24	43	B9108145000	30	8
B183924500C	16	10	B3037141H00	24	45	B9110245000	38	19
B185351200AA	18	20~24	B3037141HA0	24	44	B9111245000	38	15
B185351200BA	18	20~24	B3038141H00	24	26	B9112012000	38	7·8
B185351200CA	18	20~24	B3111126000	28	2	B9113012000	38	7·8
B185351200D	18	20~24	B3115552000	28	3	B9121141HA0	38	11
B185351200E	18	20~24	B3118552F00	28	17	B9130245000	38	16
B1901141H00	8	14	B3120125000	28	5	BP300000000	14	3
B1902115000	8	15	B3126012000	28	6	BT0630520Z0	38	26
B1903141H00	8	16	B3128012000	28	7	CM300200001	2	5
B1904115000	8	17	B3129053000	28	8	CM301300001	2	3
B2733761000	14	11	B3132552000	28	9	CM500300001	30	3
B3001141H00	24	1	B3134141H00	28	13	CQ200000000	12	57
B3002141H00	24	2	B3214047000	2	27	CQ202000000	2	33
B3003141H00A	24	3	B3216047000	2	28	CQ202000000	6	25
B3005141H00	24	23	B3414245000	32	6	CS0510713SD	32	7
B3006141H00	24	5	B3415145000	32	2	D1105145E00	2	10
B3007141H00	24	6	B3416141H00A	32	4	D1105145E0B	40	1
B3008141H00	24	7	B3420245000	32	12	D1105145E0T	40	2
B3009141H0A	24	8	B34202450A0	32	11	D1126560E00A	2	18
B3010141H00	24	9	B3421245000	32	31	D1129141EA0	38	29
B3011141H00	24	10	B34212450A0	32	29	D1171145E00	2	4
B3011141H0A	24	11	B3422245000	32	13	D1172245E00	10	24
B3012141H00A	24	18	B3423245000	32	14	D1173145E00	2	6
B3013141H0A	26	47·48	B3424141H00	32	22	D1201141E00A	6	3
B3013141H0B	26	47·48	B3424245000	32	19	D1206141E00	6	7

NUMERICAL INDEX OF PARTS

PART NO	PAGE	REF NO.	PART NO	PAGE	REF NO.	PART NO	PAGE	REF NO.
D1403141E00	8	3	D2417245EA0	22	11	D6037245GA0	22	31
D1418141E00	8	8	D2418245E00	22	6	D7101245E00	38	22
D1512141E00	8	28	D2419245E00	18	11	D7102245E00	38	23
D1525141E00	8	34	D2420145E00	18	12	D8201145G00	34	2
D1525141EA0	8	33	D2421245E00	22	7	D8201145GA0	34	1
D1525141EAA	40	8	D2423245E00	22	20	D8204555D00	34	5
D1613145E00	10	27	D2424145E00	18	15	D9117141E00	16	6
D1613145E0A	40	4	D2425245E00	18	16	D9117141E00	38	10
D1613145E0B	40	5	D2426245E00	18	17	EA9502B0500	28	16
D1613145E0T	40	6	D2427145E00	22	8	GES12153000	22	16
D1621141E00	10	43	D2428141E00	22	15	GES12153000	38	20
D1624141E0A	12	52	D2428245E00	22	9	HK034610140	22	30
D1630145E00A	10	2	D2429145E00	18	18	HK03464000B	22	29
D1630145EA0A	10	1	D2430245EA0	22	10	J106600000F	38	14
D1680141EA0	14	4	D2431245E00	18	19	M13517B1300	8	9
D1681141E0A	14	1	D2432245E00	18	27	M13517B1302	38	1
D1682141E00	14	9	D2432245E00	22	25	MAO11532000	38	32
D1683141E00	14	12	D2432245E0A	22	26	MAT81126T00	14	5
D1684141E00A	14	18	D2433245E00	18	28	MTJVM00520A	38	2
D1685141E00	14	10	D2434245E00	18	39	MTSP00750B0	38	37
D1686141E00	14	13	D2434245E00	22	27	NM6060001SD	38	18
D1687141E00	14	20	D2435245E00	18	42	NS6150310SP	24	52
D1830141EA0	16	3	D2436141E00	18	25	NS6150310SP	26	52
D1837145EAA	16	5	D2436245E00	18	44	NS6150430SP	14	21
D1841141E00	18	31	D2441141E00	18	30	NS6150430SP	38	24
D2120555C00	18	26	D2464555B00	14	19	NS6160520SP	26	54
D2401245E00	18	1	D3111141EAA	28	1	NS6620310SP	32	8
D2402245E00	18	2	D3142141E00	28	14	NS6660430SP	26	53
D2402245E00	38	21	D3142141E0A	28	15	NS6680320SP	26	51
D2403245E00	18	3	D3149141E00	28	26	NS6680410SP	12	66
D2404245E00	18	4	D3151141E00	28	24	PS0300132KH	8	36
D2405245E00	18	5	D3152141E00	28	23	PS0300322K0	24	46
D2406245E0A	18	6	D3153141E00	28	20	RE0250000K0	28	37
D2409245E00	22	1	D3154141E00	28	21	RE0300000K0	12	64
D2410245E00	22	2	D3155141E00	28	22	RE0400000K0	14	2
D2411245E00	22	3	D3156141E00	28	30	RE0400000K0	24	31
D2412245E00	18	9	D3157141E00	28	25	RE0600000K0	14	35
D2413245E00	18	10	D3158141E00	28	28	RE0700000K0	12	65
D2414141E00	2	37	D3159141E00	28	29	RE0700000K0	26	50
D2414245E00	22	4-24	D3160141E00	28	27	RO061180100	2	39
D2414245E0A	22	4-24	D3161555B00	2	24	RO074240100	12	63
D2415245E00	22	18	D3161560EA0	2	23	SD0550271TP	28	36
D2415245EA0	22	17	D3162560E00	2	25	SD0600271SP	28	18
D2416245E00	22	5	D3168555H0B	2	26	SD0600321SP	28	19
D2417245E00	22	12	D3410141E0AA	32	1	SD0630301SP	28	35

NUMERICAL INDEX OF PARTS

PART NO	PAGE	REF NO.	PART NO	PAGE	REF NO.	PART NO	PAGE	REF NO.
SD0640321SP	18	29	SS7091110SP	8	12	SS8151150SP	6	22
SD0640321SP	28	34	SS7091110SP	12	77	SS8151230SP	18	35
SD0720331SP	14	22	SS7091110SP	26	59	SS8151230SP	22	33
SD0790351SP	32	5	SS7091410SP	18	45	SS8151550SP	6	27
SD0800352SP	2	43	SS7110510SP	4	51	SS8151550SP	8	19
SD0850751SP	24	24	SS7110540SP	18	36	SS8151550SP	16	7
SD0950802SH	12	62	SS7110540SP	32	10	SS8660410SP	20	47
SD0991551SP	32	3	SS7110710SP	2	53	SS8660530TP	18	32
SK1483201SE	32	32	SS7110710SP	4	53	SS8660530TP	26	56
SK3311600SE	34	6	SS7110710SP	14	30	SS8660610TP	6	16
SK3482500SC	30	12	SS7110710SP	18	43	SS8660610TP	8	31
SK3513200SC	34	8	SS7110710SP	22	39	SS8660610TP	24	17
SM1030601SA	28	38	SS7110710SP	28	42	SS8660612TP	18	38
SM4030601SC	28	44	SS7110710SP	38	25	SS8681950SP	6	20
SM4040601SC	38	34	SS7110840SP	8	13	SS8701042TP	10	6
SM6081552TP	2	44	SS7110910SP	22	35	SS9111010SP	14	27
SM9061203SE	32	27	SS7110910SP	26	60	SS9181520CP	6	28
SS2090710SP	2	46	SS7110910SP	28	39	SS9660720SP	10	10
SS2090710SP	4	46	SS7111120SP	26	61	SS9660910SP	10	28
SS2090710TP	38	30	SS7111410SP	2	9	TA0550604R0	2	40
SS2090810SP	10	9	SS7111410SP	18	37	TA0550604R0	6	36
SS2110915SP	2	45	SS7111410TP	26	62	TA0750404R0	4	61
SS5060310SP	18	46	SS7112420SP	2	54	TA0750704R0	2	38
SS5090610SP	4	48	SS7112420SP	4	54	TA1120804R0	4	58
SS5110710SP	10	5	SS7120640SP	28	41	TA1250406R0	2	22
SS6060210SP	12	69	SS7120910TP	24	12	TA1550902R0	4	59
SS6081210SP	12	67	SS7121410TP	14	26	TA2050406R0	4	62
SS6090510TP	22	38	SS7151210SP	14	28	TA2100904R0	2	36
SS6090610SP	12	81	SS7151210SP	30	10	WP0320501SC	28	43
SS6090810SP	22	36	SS7620750SP	12	78	WP0371026SD	20	49
SS6110480SP	30	9	SS7680870SP	2	42	WP0371026SD	22	21
SS6110610TP	8	21	SS7681750TP	6	19	WP0430800SC	38	35
SS6111610SP	4	49	SS8090410SP	18	40	WP0501016SC	30	13
SS6121050SP	12	73	SS8090670SP	28	10	WP0501016SD	14	32
SS6121210SP	12	74	SS8110410TP	4	55	WP0501016SD	22	22
SS6121210SP	26	58	SS8110410TP	12	79	WP0621016SD	14	33
SS6151220SP	12	75	SS8110750SP	8	37	WP0621016SD	32	9
SS6151440SP	24	15	SS8150510TP	14	29	WP0650876SD	26	55
SS6661110SP	12	76	SS8150510TP	24	16	WP0751576SD	38	17
SS7060310SP	18	41	SS8150710SP	10	72	WS0410002KN	20	48
SS7080510TP	8	11	SS8150710SP	12	72	WS0410002KN	38	36
SS7080520SP	10	8	SS8150710SP	28	11	WS0631510KP	14	34
SS7090610SP	8	10	SS8150710TP	6	21	WT0530002KS	22	23
SS7090620TP	4	50	SS8150750SP	26	63	WZ1052010KP	12	80
SS7090710SP	14	23	SS8150830SP	12	71			