

MODEL : DSU-142/DSU-142-4,-7

List No : 0613-03

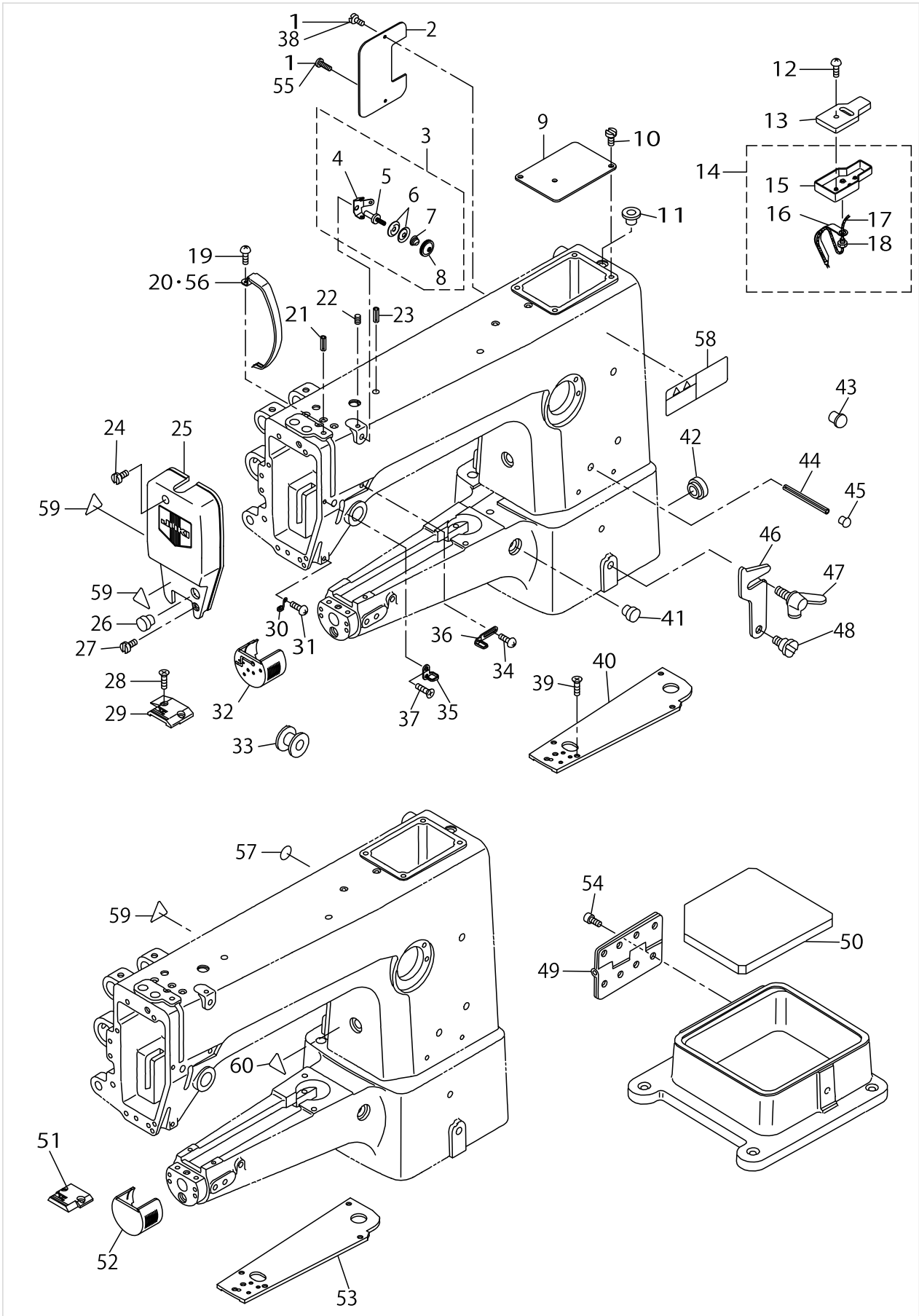
PARTS LIST

Published:05/12/2017

CONTENTS

FRAME & MISCELLANEOUS COVER COMPONENTS	1
MAIN SHAFT & ARM SHAFT COMPONENTS	5
NEEDLE BAR,THREAD TAKE-UP LEVER & PRESSER BAR COMPONENTS.....	7
FEED MECHANISM COMPONENTS.....	9
REVERSE FEED MECHANISM COMPONENTS.....	13
HOOK DRIVING SHAFT COMPONENTS	15
THREAD TRIMMER COMPONENTS (1) (EXCEPT DSU-142).....	17
THREAD TRIMMER COMPONENTS (2) (EXCEPT DSU-142).....	21
UPPER FEED MECHANISM COMPONENTS	23
THREAD TENSION COMPONENTS	27
BELT COVER & BOBBIN WINDER COMPONENTS	29
KNEE LIFTER COMPONENTS	31
TABLE COMPONENTS	33
THREAD STAND COMPONENTS.....	35
ACCESSORIES PARTS COMPONENTS	37
GAUGE COMPONENTS.....	39
LIST FOR INFORMATION OF CHANGE (1).....	41
LIST FOR INFORMATION OF CHANGE (2).....	42
HOW TO MAKE USE OF THIS PARTS LIST	43

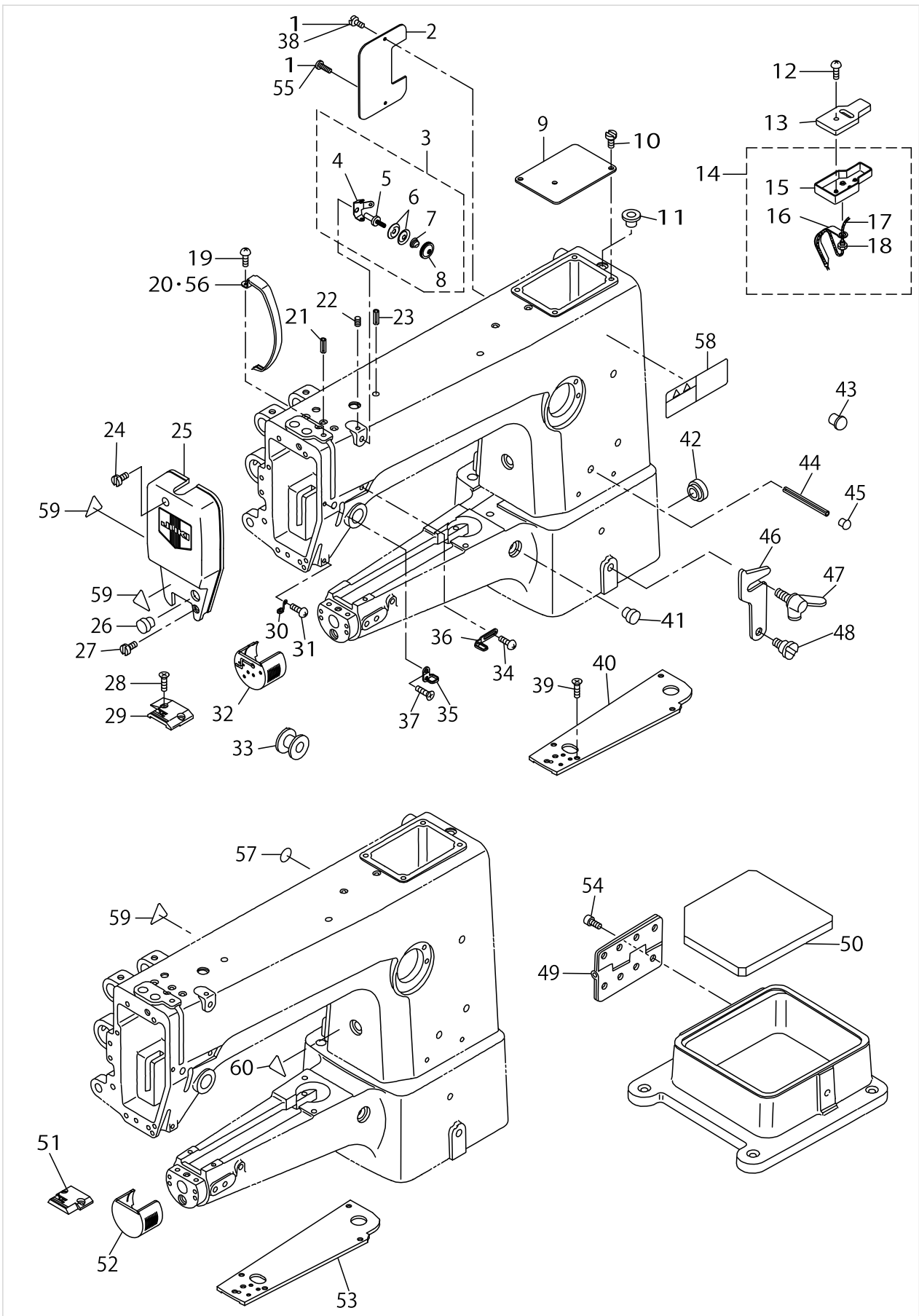
FRAME & MISCELLANEOUS COVER COMPONENTS



FRAME & MISCELLANEOUS COVER COMPONENTS

No.	Supply Code	Parts No.	Replacement	Parts name	Remarks	Choice	Step	Level	Cons	Qty	Rep. QTY
1	R	SS7110910SP	SS7110910TP	SCREW 11/64-40 L=8.5	FOR DSU-142,-4					2	1.00
2		B1118141H0AA		SIDE PLATE						1	
3		21205059		THREAD TENSION NO.1 ASM.						1	
4		D3162560E00		THREAD GUIDE				*		1	
5		D3161555B00		FIRST TENSIONPOST				*		1	
6	R	B3214047000	22945802	BOBBIN WINDER TENSION DISC				*		2	1.00
7		B3218232000		BOBBIN WINDER TENSION SPRING				*		1	
8		B3216047000		BOBBIN WINDER TENSION NUT				*		1	
9		40032259		SIDE COVER						1	
10		SS7110710SP		SCREW 11/64-40 L=7						2	
11		B1156115000		RUBBER PLUG						2	
12		SS7112420SP		SCREW11/64-40L=24						1	
13		B3504201000		OIL FELT						1	
14	D	B35031450A0		OIL RESERVOIR ASM.						1	
15		B3503201000		OIL RESERVOIR				*		1	
16	D	B3527012000		HOLDER				*		1	
17		CQ202000000		OIL WICK				*		0.3	
18		B3515201000		CLAMP SLEEVE NUT				*		1	
19		SS7110510SP		SCREW 11/64-40 L=5						1	
20		B1123141H0A		THREAD TAKE-UP LEVER COVER	FOR EXPORT					1	
21		PS0350102KR		SPRING PIN 3.5X10						2	
22		SS8110750SP		SCREW 11/64-40 L=6.5						1	
23		PS0350102KR		SPRING PIN 3.5X10						1	
24		SS7112420SP		SCREW11/64-40L=24						1	
25		21215355		FACE PLATE ASM.						1	
26		TA1250406R0		RUBBER PLUG D=12.5 L=4						1	
27		SS6111610SP		SCREW11/64-40L=16						1	
28		SS2110915SP		SCREW 11/64-40 L=8.5						2	
29		21203005		THRORT PLATE	EXCEPT DSU-142					1	
30		B1129141H00		THREAD GUIDE						1	
31		SS7090620TP		SCREW 9/64-40 L=6.1						1	
32		21201207		HOOK COVER	EXCEPT DSU-142					1	
33		D2414141E00		LORD BUSHING	EXCEPT DSU-142					1	
34		SS5090610SP		SCREW 9/64-40 L=6						1	
35		B1131141H00		FRAME THREAD GUIDE B						1	
36		D1126560E00A		ARM THREAD GUIDE A						1	
37	R	SS2090710SP	SS2090710TP	SCREW 9/64-40 L=7						1	1.00
38	R	SS7110910SP	SS7110910TP	SCREW 11/64-40 L=8.5	FOR DSU-142-7					1	1.00
39	R	SS2090710SP	SS2090710TP	SCREW 9/64-40 L=7						2	1.00
40		D1173145E00		BED TOP COVER	EXCEPT DSU-142					1	
41		TA1250406R0		RUBBER PLUG D=12.5 L=4						1	
42		TA2100904R0		RUBBER PLUG						1	
43		TA1120804R0		RUBBER PLUG						1	
44		PS0600602KP		SPRING PIN						1	
45		TA0750704R0		RUBBER PLUG	EXCEPT DSU-142					1	
46		B1117246000		HOOK						1	

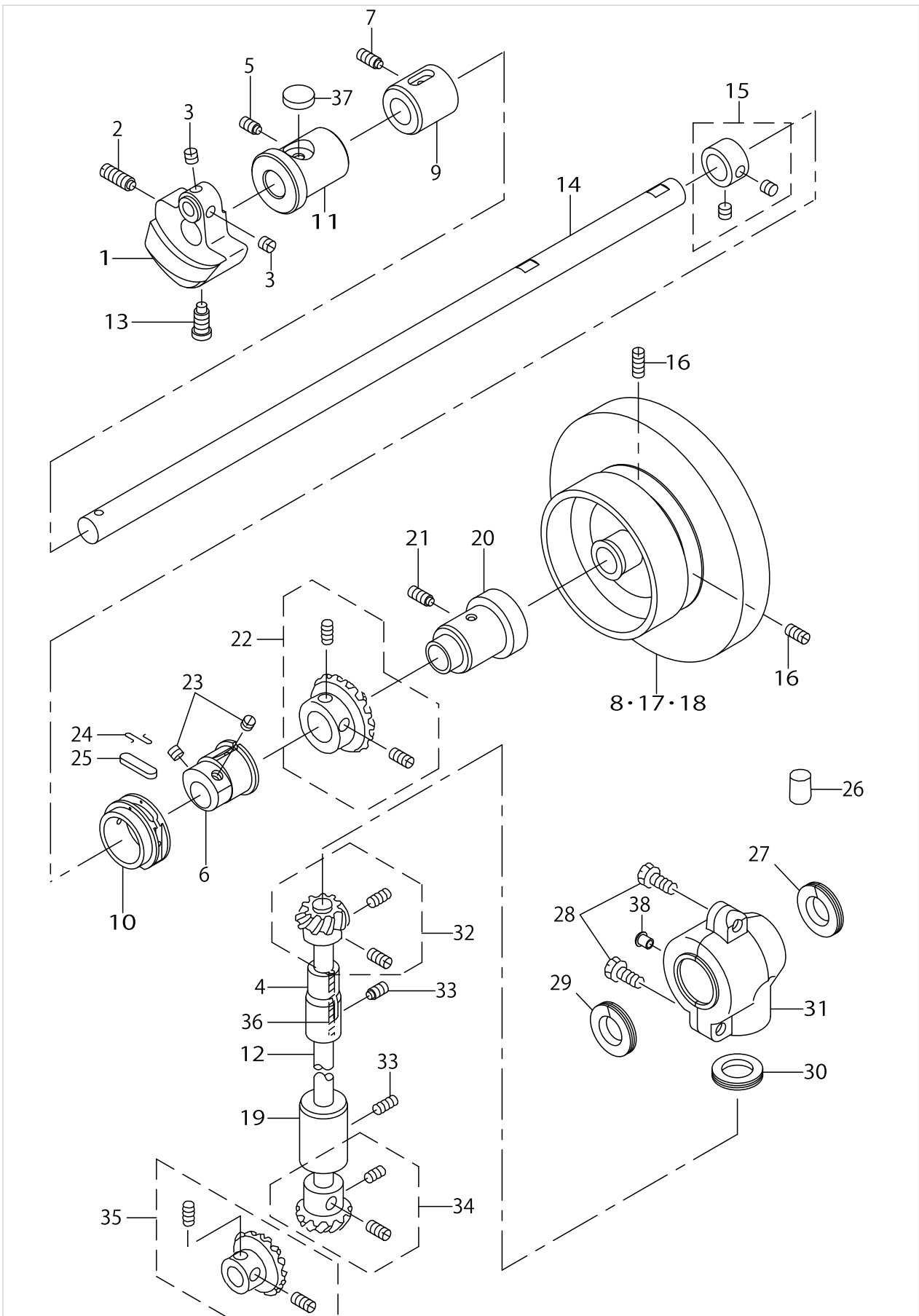
FRAME & MISCELLANEOUS COVER COMPONENTS



FRAME & MISCELLANEOUS COVER COMPONENTS

No.	Supply Code	Parts No.	Replacement	Parts name	Remarks	Choice	Step	Level	Cons	Qty	Rep. QTY
47		B1116246000		WING BOLT						1	
48		SD0800352SP		HINGE SCREW D=8 H=3.5						1	
49		B1128246000		HINGE						1	
50		21133103		OIL FELT						1	
51		21202007		THRORT PLATE	FOR DSU-142					1	
52		21201306		HOOK COVER	FOR DSU-142					1	
53		21201405		BED COVER	FOR DSU-142					1	
54		SM6082002TP		SCREW M8 L=20						8	
55	R	SS7111410SP	SS7111410TP	SCREW11/64-40L=14	FOR DSU-142-7					1	1.00
56		11415205		THREAD TAKE-UP LEVER COVER(JE)	FOR USE IN JAPAN					1	
57		22901805		GROUND MARK						1	
58		CM301300001		SAFETY LABEL	FOR DSU-142,-7					1	
59		CM300200001		ATTENTION SEAL	FOR DSU-- 142(USE IN JAPAN,JE)					3	
60		CM300200001		ATTENTION SEAL	FOR DSU-- 142-7(USE IN JAPAN,JE)					4	

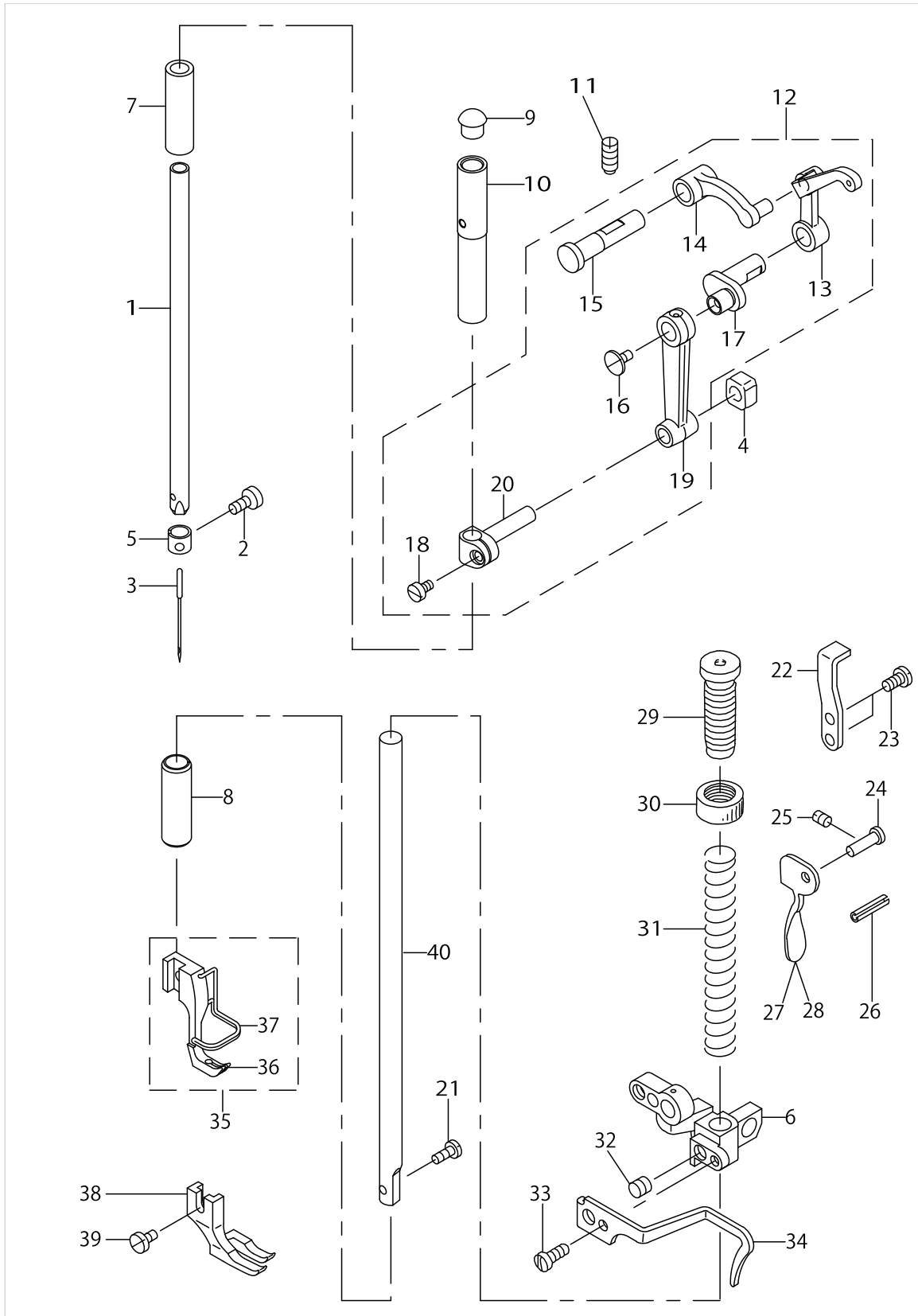
MAIN SHAFT & ARM SHAFT COMPONENTS



MAIN SHAFT & ARM SHAFT COMPONENTS

No.	Supply Code	Parts No.	Replacement	Parts name	Remarks	Choice	Step	Level	Cons	Qty	Rep. QTY
1		D1206141E00		COUNTERWEIGT						1	
2		SS8681950SP		SCREW 9/32-28 L=19						1	
3		SS8660610TP		SCREW 1/4-40 L=6						2	
4		B1302201000		BUSHING UPPER						1	
5	R	SS8151150SP	SS8151150TP	SCREW 15/64-28 L=10.5						1	1.00
6		B1211141H00		FEED ECCENTRIC CAM						1	
7		SS8151550SP		SCREW15/64-28L=15						1	
8		21286604		FLYWHEEL	FOR DSU-142					1	
9		B1203141H00		MAIN SHAFT BUSHI- NG INTERMEDIA						1	
10		B1211226000		ECCENTRIC RETAINER HOUSING						1	
11		B1202141H0A		MAIN SHAFT BUSHING FRONT						1	
12		B1301201000		UPRIGHT SHAFT						1	
13		SS7681750TP		SCREW 9/32-28 L=16.5						1	
14		D1201141E00A		MAIN SHAFT						1	
15		22904155		MAIN SHAFT THRU- ST COLLAR ASM.						1	
16		SS8151550SP		SCREW15/64-28L=15						2	
17		21295308		HAND WHEEL	EXCEPT DSU-142					1	
18		B122714500A		HAND WHEEL	OPIONAL PARTS FOR DSU-142					1	
19		B1303271000		BUSHING LOWER						1	
20		21205109		REAR BUSHING						1	
21		SS8151550SP		SCREW15/64-28L=15						1	
22		B13050120A0		GEAR ASM.						1	
23		SS8150710TP		SCREW 15/64-28 L=7						2	
24		B1213012000		FELT RETAINER						1	
25		B1212012000		OIL FELT						1	
26		B3517009000		OIL FELT REAR						1	
27		B1311012000		OIL SEAL (B)						1	
28		SS9181520CP		SCREW 9/32-20 L=15.0						2	
29		B1310012000		OIL SEAL (A)						1	
30		B1312012000		OIL SEAL (C)						1	
31	D	B1308012000		GEAR CASE						1	
32		B13061550A0		PINION ASM.						1	
33		SS8151550SP		SCREW15/64-28L=15						2	
34		B13071550A0		GEAR ASM. LARGE						1	
35		B13081550A0		PINION ASM.						1	
36		CQ202000000		OIL WICK						.1	
37		B1203051000		OIL FELT						1	
38		TA0550604R0		RUBBER PLUG						1	

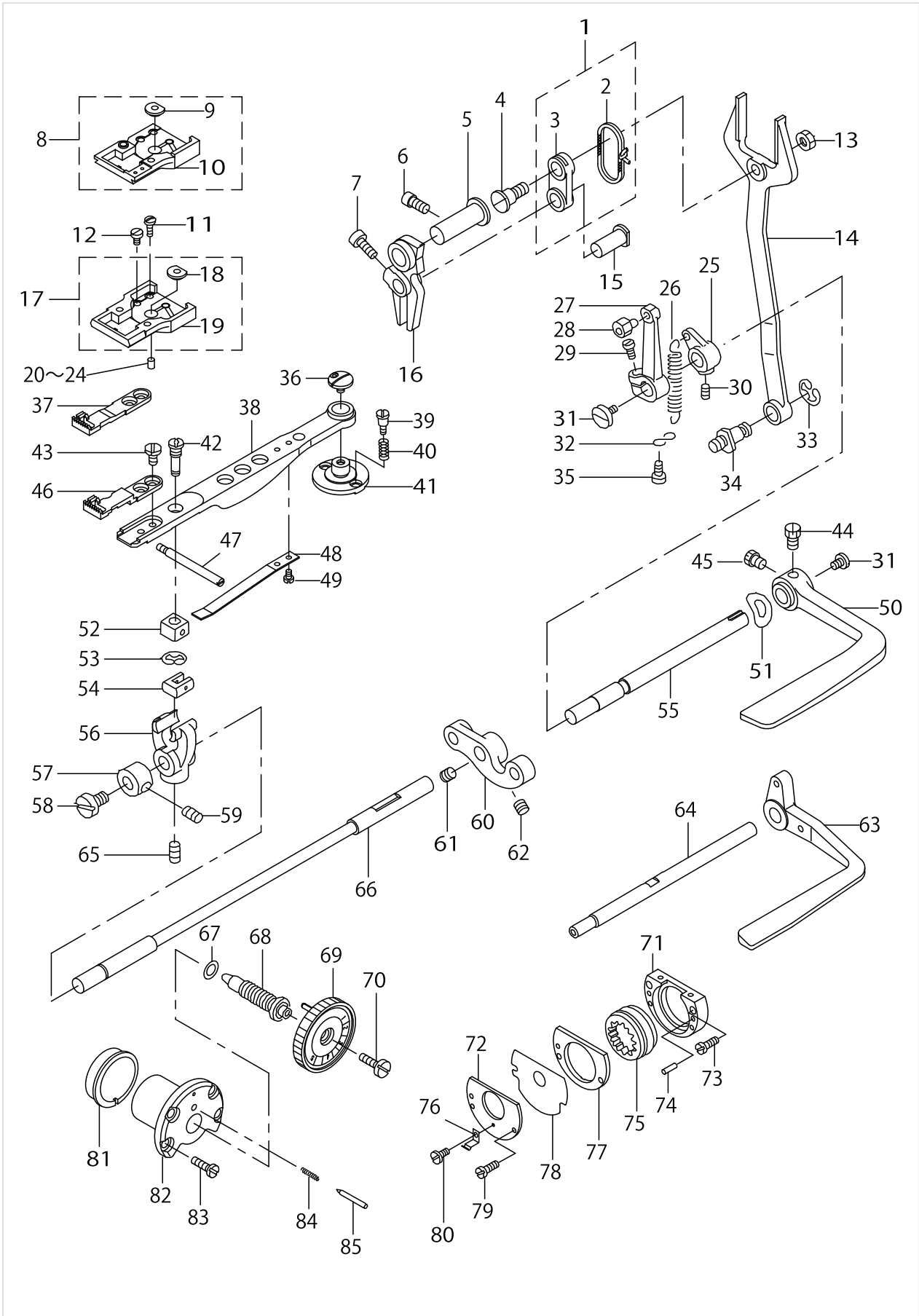
NEEDLE BAR, THREAD TAKE-UP LEVER & PRESSER BAR COMPONENTS



NEEDLE BAR,THREAD TAKE-UP LEVER & PRESSER BAR COMPONENTS

No.	Supply Code	Parts No.	Replacement	Parts name	Remarks	Choice	Step	Level	Cons	Qty	Rep. QTY
1		21205307		NEEDLE BAR						1	
2		SS7080510TP		SCREW 1/8-44 L=4.5						1	
3		M13517B1100		NEEDLE 135X17 #110						1	
4		B1414555000		SLIDE BLOCK						1	
5		D1418141E00		NEEDLE BAR THREAD GUIDE						1	
6		21103304		PRESSER BAR GUIDE BRACKET						1	
7		D1403141E00		NEEDLE BAR BUSHING LOWER						1	
8		B1510155000		PRESSER BAR LOWER BUSHING						1	
9		22901409		NEEDLE BAR UPPER BUSH CAP						1	
10		22906101		NEEDLE BAR BUSHING UPPER						1	
11		SS8151550SP		SCREW15/64-28L=15						1	
12		21211651		THREAD TAKE-UP ASM.						1	
13	R	B1901115000	B19011150A0	THREAD TAKE-UP LEVER				*		1	1.00
14	R	B1902115000	B19011150A0	THREAD TAKE-UP CRANK				*		1	1.00
15	D	B1904115000		THREAD TAKE-UP CRANK SHAFT STUD				*		1	
16	R	B1903141H00	B1903552000	END SCREW LEFT				*		1	1.00
17	R	B1210141H00	B1901141HA0	NEEDLE BAR CRANK				*		1	1.00
18		SS6090670TP		SCREW 9/64-40 L=6				*		1	
19		B1408141H00		NEEDLE BAR CRANK ROD				*		1	
20		B14115520A0		NEEDLE BAR CONNECTING ASM.				*		1	
21	R	SS7091110SP	SS7091110TP	SCREW 9/64-40 L=10.5						1	1.00
22		B1515141H00		LIFTING LEVER						1	
23		SS7110840SP		SCREW 11/64-40 L=7.8						2	
24		B1513141H00		HAND LIFTER SHAFT						1	
25		SS8110750SP		SCREW 11/64-40 L=6.5						1	
26		PS0300132KH		SPRING PIN 3X13						1	
27		B1512141H00		HAND LIFTER	FOR DSU-142					1	
28		D1512141E00		HAND LIFTER	EXCEPT DSU-142					1	
29		B1509141H00		PRESSER SPRING REGULATOR						1	
30	R	22907604	22907554	PRESSER SPRING REGULATOR NUT						1	1.00
31		B1510141H00		PRESSER SPRING						1	
32		SS8660610TP		SCREW 1/4-40 L=6						1	
33		SS6110610TP		SCREW 11/64-40 L=6						1	
34		21286802		THREAD GUIDE						1	
35		D1525141EA0		PRESSER FOOT ASM.						1	
36	R	D1525141E00	40021791	PRESSER FOOT BOTTOM				*		1	1.00
37		B1421141H00		FINGER GUARD				*		1	
38		B1526145000		PRESSURE FOOT	FOR DSU-142					1	
39		SS7090610SP		SCREW 9/64-40 L=6						1	
40		B1501141H00		PRESSER BAR						1	

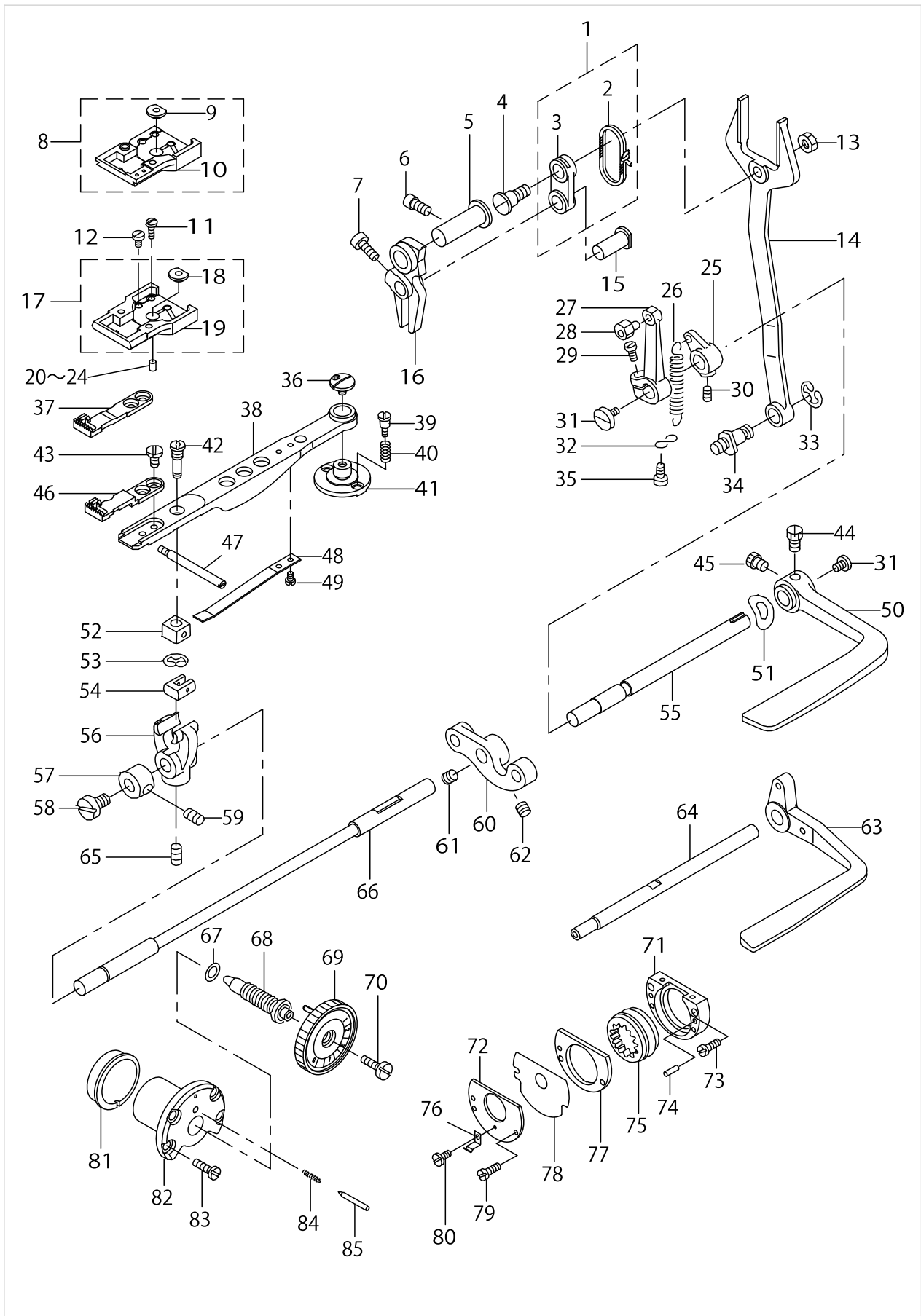
FEED MECHANISM COMPONENTS



FEED MECHANISM COMPONENTS

No.	Supply Code	Parts No.	Replacement	Parts name	Remarks	Choice	Step	Level	Cons	Qty	Rep. QTY
1	D	B16191150A0		REGULATOR CONNECTING LINK ASM.						1	
2		CQ200000000		OIL WICK				*		0.3	
3		B1619115000		FEED REGULATOR CONNECTING LINK				*		1	
4		SD0950802SH		HINGE SCREW D=9.53 H=8						1	
5		B1622141H00		HINGE PIN						1	
6		SS6151220SP		SCREW 15/64-28 L=11.5						1	
7		SS6661110SP		SCREW 1/4-40 L=11						1	
8		21205562		NEEDLE PLATE BASE ASM.	EXCEPT DSU-142					1	
9		21205604		FEED DRIVING PIN METAL				*		1	
10		21205513		THROAT PLATE REST				*		1	
11		SS2090810SP		SCREW 9/64-40 L=7.5						2	
12		SS6090610SP		SCREW 9/64-40 L=5.5						2	
13		NS6680410SP		NUT 9/32-28						1	
14	D	B1614145000		PITMAN						1	
15		B1618226000		HINGE PIN						1	
16		B1620145000		FEED REGULATOR						1	
17		21205760		THROAT PLATE REST ASM.	FOR DSU-142					1	
18		21205604		FEED DRIVING PIN METAL				*		1	
19		21205711		THROAT PLATE REST				*		1	
20		B163224500C		PIN	SELECTIVE PARTS					1	
21		B163224500D		PIN	SELECTIVE PARTS					1	
22		B163224500E		PIN						1	
23		B163224500F		PIN	SELECTIVE PARTS					1	
24	D	B163224500G		PIN	SELECTIVE PARTS					1	
25		B1647226000		SUSPENSION BRACKET (A)						1	
26		B1646201000		TENSION SPRING						1	
27	R	B1627226000	B16272260A0	REVERSE FEED CONTROL LEVER CRANK						1	1.00
28		B16331220A0		CRANK SLIDE BLOCK STUD ASM.						1	
29		SS6121210SP		SCREW 3/16-28 L=12						1	
30	R	SS8150710SP	SS8150710TP	SCREW 15/64-28 L=7						1	1.00
31		SS7620750SP		SCREW 3/16-32 L=6.5						2	
32		B1648122000		SUSPENSION HOOK (B)						1	
33		RE0700000K0		E-RING 7						1	
34		B1424158000		HINGE SCREW						1	
35		SS7090710SP		SCREW 9/64-40 L=6.8						1	
36		B1640145000		FEED BAR SLIDE SCREW STUD						1	
37		21206008		FEED DOG	FOR DSU-142					1	
38		B1606145000		FEED BAR						1	
39		B1641245000		HINGE SCREW						2	
40		B1642245000		SPRING						2	
41		B1639145000		FEED BAR STUD						1	
42		B1645245000		FEED BAR SLIDE SCREW STUD						1	
43		B1652245000		SCREW						2	
44		SS9660910SP		SCREW 1/4-40 L=9.4	FOR DSU-142,-4-1,-7-00					1	

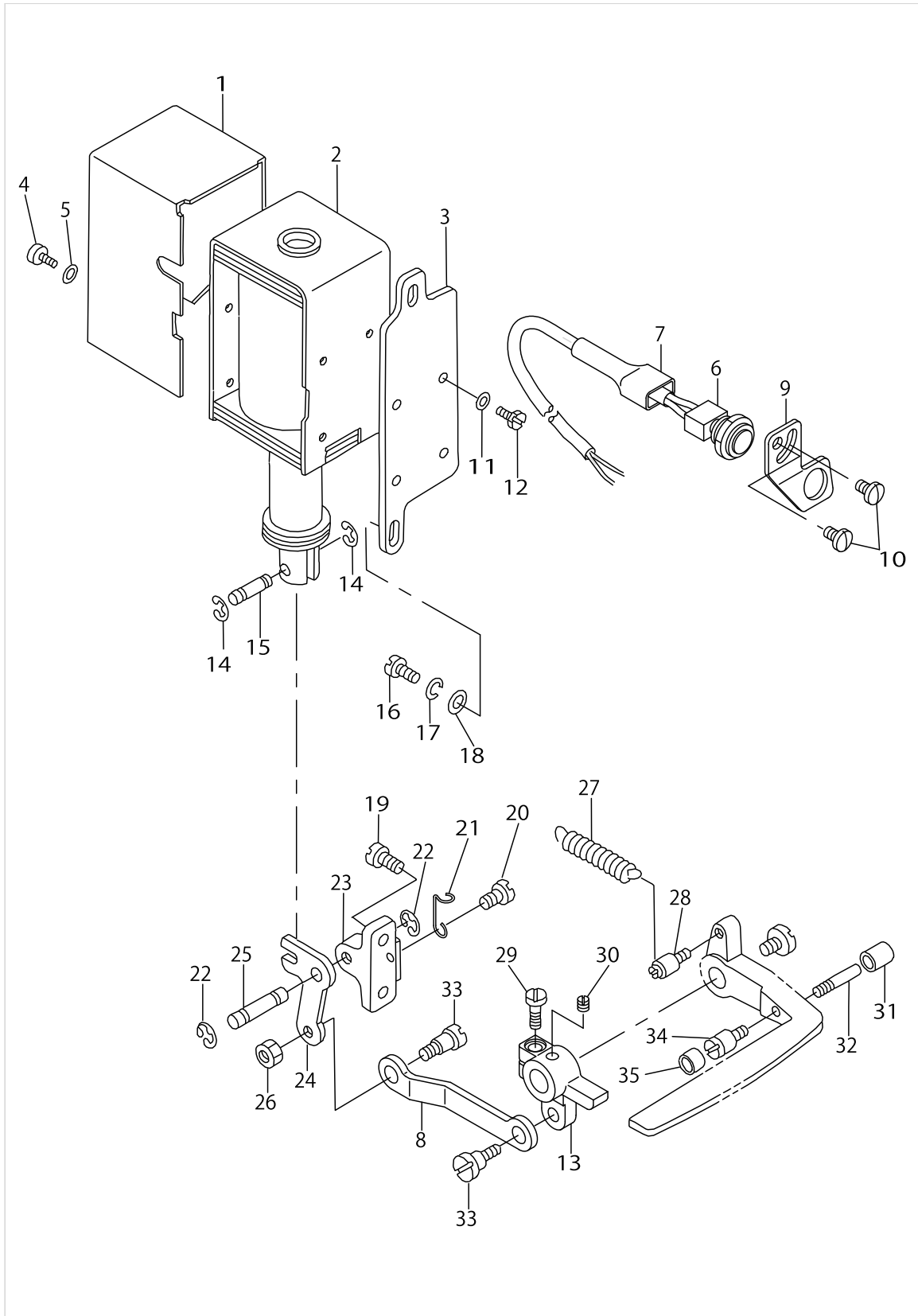
FEED MECHANISM COMPONENTS



FEED MECHANISM COMPONENTS

No.	Supply Code	Parts No.	Replacement	Parts name	Remarks	Choice	Step	Level	Cons	Qty	Rep. QTY
45		SS9660720SP		SCREW 1/4-40 L=7	FOR DSU-- 142,-4-1,-7-00					1	
46		21207006		FEED DOG	EXCEPT DSU-142					1	
47		B1638245000		SCREW STUD						1	
48		21208004		FEED SPRING						1	
49		SS7080520SP		SCREW 1/8-44 L=4.9						2	
50	D	B1624141H00		FEED LEVER	FOR DSU-- 142,-4-1,-7-00					1	
51		WZ1052010KP		WAVED WASHER	FOR DSU-142					1	
52		B1644245000		FEED BAR SLIDE BLOCK B						1	
53		RE0300000K0		E-RING 3						1	
54		B1643145000		FEED BAR SLIDE BLOCK A						1	
55		B1621141H00A		CONTROL LEVER SHAFT	FOR DSU-- 142,-4-1,-7-00					1	
56		B1603245000		FEED ROCKER						1	
57		B1646245000		THRUST COLLAR						1	
58		SS5110710SP		SCREW 11/64-40 L=7						1	
59		SS8110410TP		SCREW 11/64-40 L=3.5						2	
60		B1605145000		FEED ROCK SHAFT CRANK						1	
61	R	SS8150710SP	SS8150710TP	SCREW 15/64-28 L=7						1	1.00
62	R	SS8150830SP	SS8150822TP	SCREW						1	1.00
63		D1624141E0A		REVERSE FEED CONTROL LEVER	FOR DSU-- 142-4-1B,-7-0B					1	
64		D1621141E00		LEVER SHAFT	FOR DSU-- 142-4-1B,-7-0B					1	
65		SS8701042TP		SCREW 5/16-24 L=10.0						1	
66		21208103		FEED ROCK SHAFT						1	
67		RO074240100		RUBBER RING						1	
68		B1634141H00A		STITCH LENGTH RE- GULATING SCREW						1	
69		21208350		STITCH DIAL ASM.						1	
70		SS6121050SP		SCREW 3/16-28 L=9.5						1	
71		B1635245000		FEED DRIVING CAM HOLDER B						1	
72		B1637245000		FEED DRIVING CAM HOLDER PLATE						1	
73		B1651245000		SCREW						2	
74		PS0400182K0		SPRING PIN 4.0X18						2	
75		B1647145000		FEED DRIVING CAM						1	
76		21208202		POSITIONING FINGER						1	
77		B1654245000		FEED DRIVING HOLDER A						1	
78		B1655245000		FEED DRIVING CAM HOLDER WASHER						1	
79		SS4081110SN		SCREW 1/8-44 L=11						2	
80		SS6060210SP		SCREW 3/32-56 L=1.9						1	
81		B1637141H00		ECCENTRIC BUSHING						1	
82		B1636141H0A		STITCH DIAL BASE						1	
83		B1638141H00		SCREW						4	
84		B1148141H00		SPRING						1	
85		B1147141H00		PIN						1	

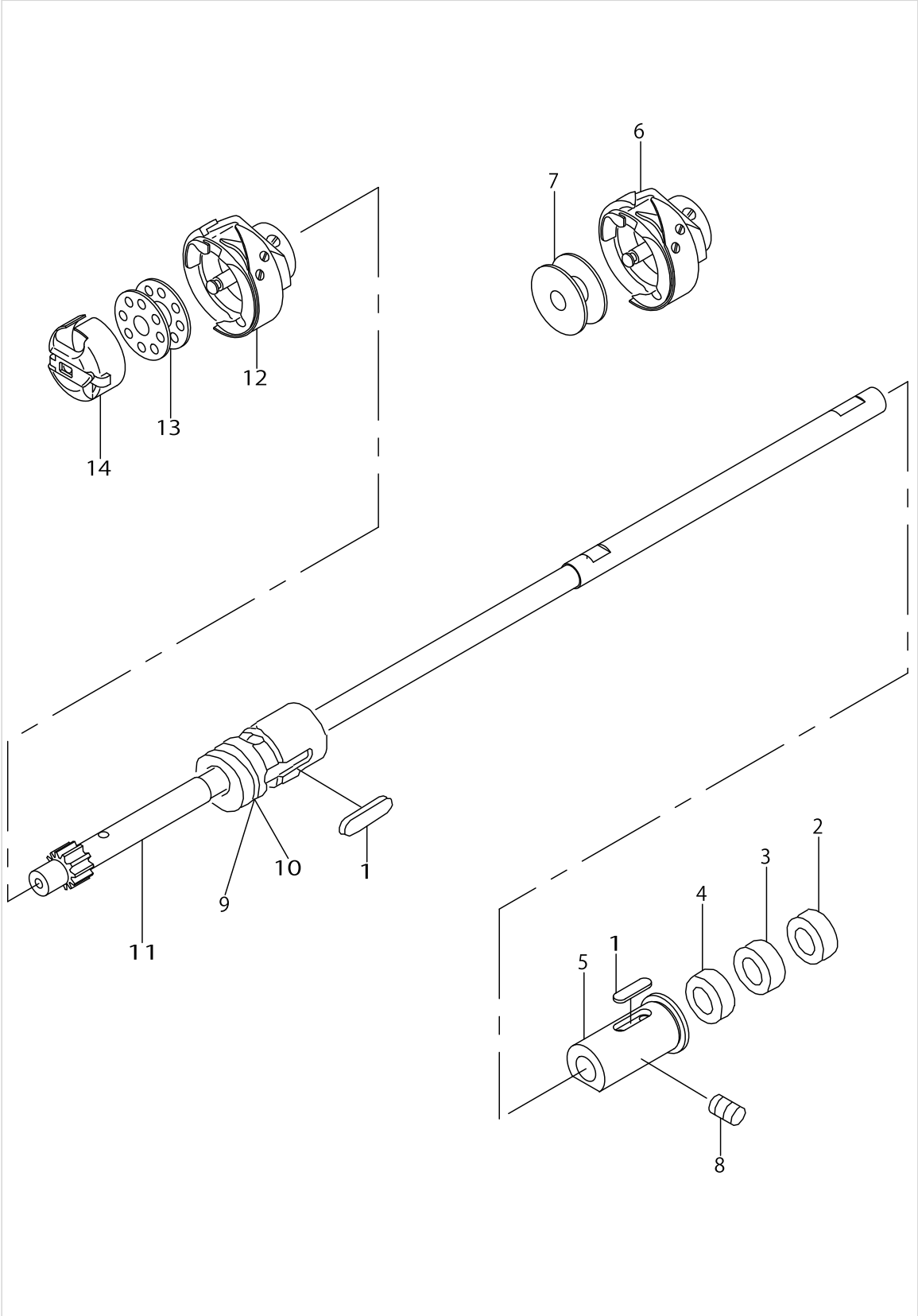
REVERSE FEED MECHANISM COMPONENTS



REVERSE FEED MECHANISM COMPONENTS

No.	Supply Code	Parts No.	Replacement	Parts name	Remarks	Choice	Step	Level	Cons	Qty	Rep. QTY
1		10161305		SOLENOID COVER						1	
2		10119006		REVERSE FEED SOLENOID AC31V						1	
3		10119204		SOLENOID INSTALLING PLATE						1	
4		SS7110710SP		SCREW 11/64-40 L=7						4	
5		WP0501016SD		WASHER 5X10.5X1						4	
6		D1680141EA0		TOUCH BUCK SWITCH ASM						1	
7		MAT81126T00		2-POLE PLUG COVER						1	
8		D1686141E00		REVERSE FEED ROD						1	
9		D1681141E0A		PLATE						1	
10		SS7110710SP		SCREW 11/64-40 L=7						2	
11		WP0501016SD		WASHER 5X10.5X1						4	
12		SS9111010SP		SCREW 11/64-40 L=9.5						4	
13		D1683141E00		CONNECTING ARM						1	
14		RE0400000K0		E-RING 4						2	
15		D2464555B00		LINK DRIVING MAGNET PIN						1	
16		SS7151210SP		SCREW 15/64-28 L=12						2	
17		WS0631510KP		SPRING WASHER						2	
18		WP0621016SD		WASHER 6.2X13X1						2	
19		SS7151210SP		SCREW 15/64-28 L=12						2	
20		SS7090710SP		SCREW 9/64-40 L=6.8						1	
21		D1682141E00		SUSPENSION HOOK B						1	
22		RE0600000K0		E-RING 6						2	
23		D1684141E00A		LINK INSTALLING BASE						1	
24		10119402		LINK						1	
25		D1687141E00		PIN						1	
26		NS6150430SP		NUT 15/64-28						1	
27		D1685141E00		LEVER SPRING						1	
28		10120004		SPRING SUSPENSION						1	
29	R	SS7121410SP	SS7121410TP	SCREW 3/16-28 L=14						1	1.00
30		SS8150510TP		SCREW 15/64-28 L=4.7						1	
31		BP300000000		VINYL PIPE						1	
32		B2733761000		PIN						1	
33		SD0720331SP		HINGE SCREW D=7.24 H=3.3						2	
34		B1114280000		PIN						1	
35		10119907		CUSHION						1	

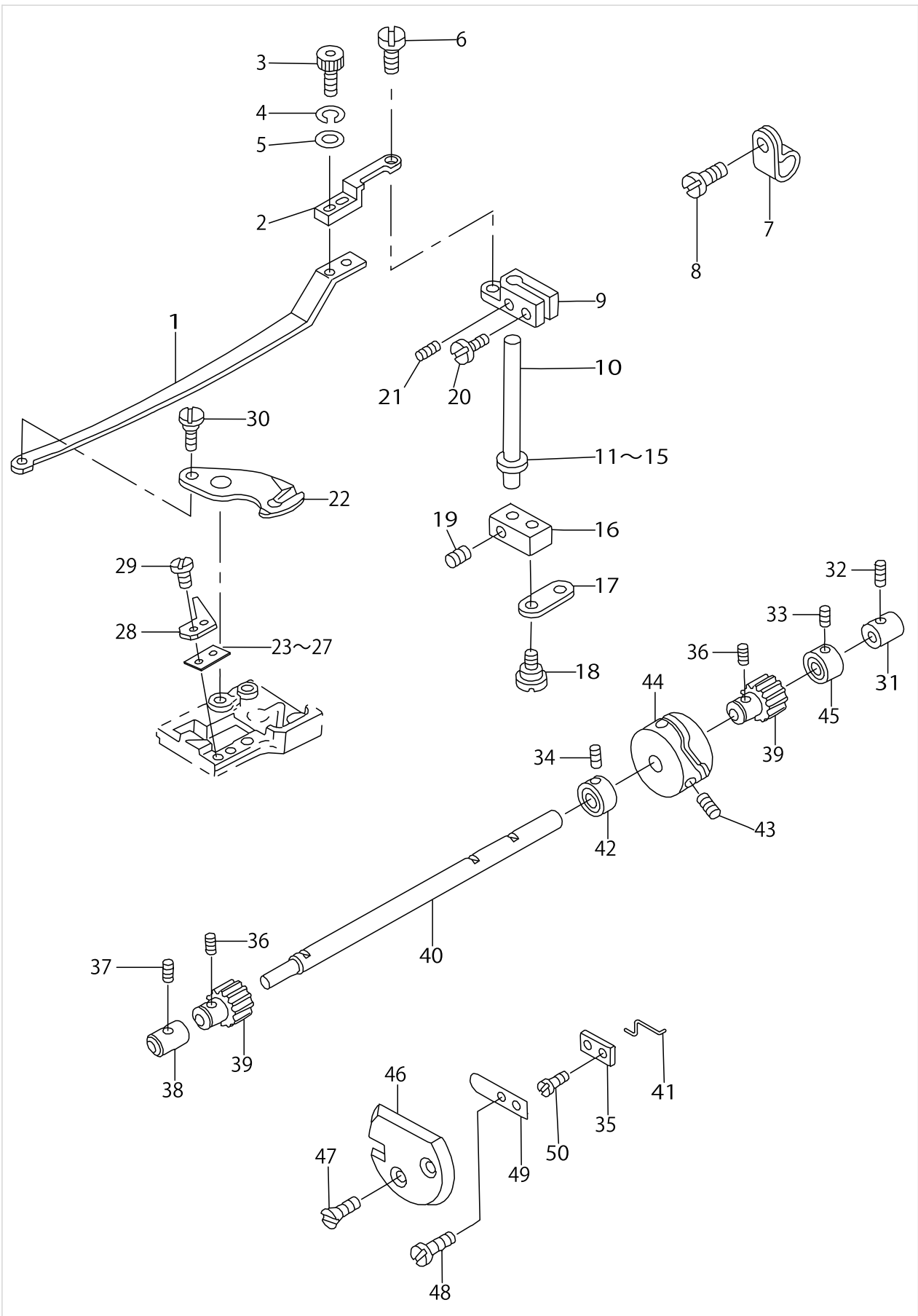
HOOK DRIVING SHAFT COMPONENTS



HOOK DRIVING SHAFT COMPONENTS

No.	Supply Code	Parts No.	Replacement	Parts name	Remarks	Choice	Step	Level	Cons	Qty	Rep. QTY
1		B1806038000		OIL FELT						2	
2		B183924500C		THRUST PLATE	SELECTIVE PARTS					1	
3		B183924500B		THRUST PLATE						1	
4		B183924500A		THRUST PLATE	SELECTIVE PARTS					1	
5		21208707		BUSHING REAR						1	
6		21209952		SEWING HOOK ASM.	OPTIONAL PARTS					1	
7		22964001		BOBBIN A	EXCEPT DSU-142					1	
8		SS8151550SP		SCREW15/64-28L=15						1	
9		21136205		BUSHING FRONT						1	
10		21136304		BUSHING FRONT	SELECTIVE PARTS					1	
11		21208608		SHUTTLE DRIVER SHAFT						1	
12		21209051		SEWING HOOK ASM.						1	
13		22932909		BOBBIN	FOR DSU-142					1	
14		21210059		BOBBIN CASE ASM.						1	

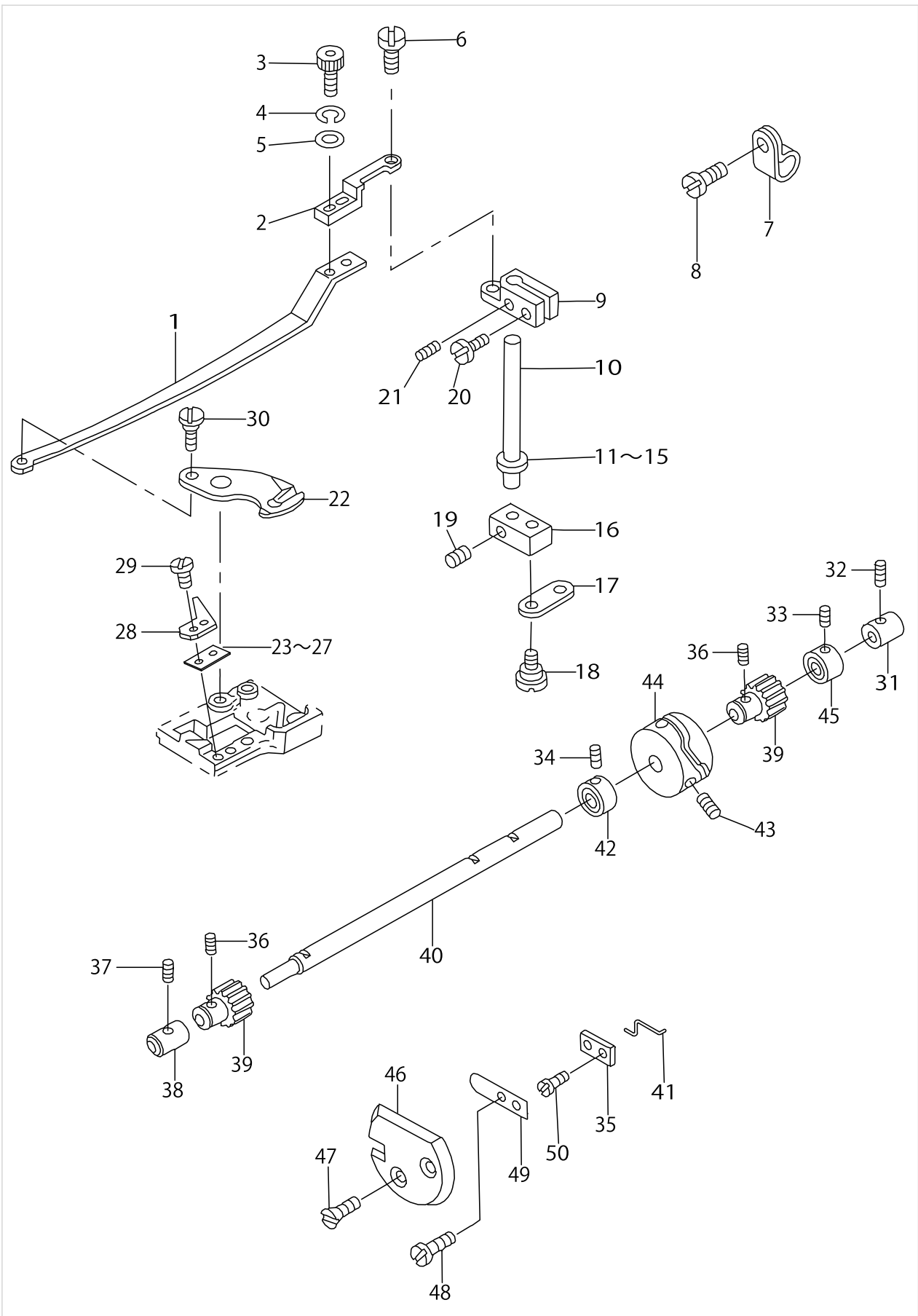
THREAD TRIMMER COMPONENTS (1) (EXCEPT DSU-142)



THREAD TRIMMER COMPONENTS (1) (EXCEPT DSU-142)

No.	Supply Code	Parts No.	Replacement	Parts name	Remarks	Choice	Step	Level	Cons	Qty	Rep. QTY
1		21213202		KNIFE DRIVING PLATE A						1	
2		21212501		KNIFE DRIVING PLATE B						1	
3		SS6091022TP		SCREW						2	
4		WS0410002KN		SPRING WASHER						2	
5		WP0371026SD		WASHER 3.7X7X1						2	
6		SD0640321SP		HINGE SCREW D=6.35 H=3.2						1	
7		D2120555C00		CORD PRESSER (120V)						1	
8		SS7110710SP		SCREW 11/64-40 L=7						1	
9		D2419245E00		KNIFE DRIVING LINK B						1	
10	D	D2413245E00		DRIVING SHAFT B						1	
11		B185351200AA		HOOK SHAFT WASHER A	SELECTIVE PARTS					1	
12		B185351200BA		HOOK SHAFT WASHER B	SELECTIVE PARTS					1	
13		B185351200CA		HOOK SHAFT WASHER C						1	
14		B185351200D		HOOK SHAFT WASHER	SELECTIVE PARTS					1	
15		B185351200E		HOOK SHAFT WASHER	SELECTIVE PARTS					1	
16		D2412245E00		KNIFE DRIVING SHAFT ARM A						1	
17		D2436141E00		CONNECTING LINK						1	
18		D2441141E00		HINGE SCREW						2	
19		SS7110540SP		SCREW 11/64-40 L=5						2	
20		SS7111410TP		SCREW 11/64-40 L=14						1	
21		SS8090410SP		SCREW 9/64-40 L=3.5						1	
22		D2401245E00		MOVING KNIFE						1	
23		21212600		SUPPORT PLAT	SELECTIVE PARTS					1	
24		21212709		SUPPORT PLAT	SELECTIVE PARTS					1	
25		21212808		SUPPORT PLAT						1	
26		21212907		SUPPORT PLAT	SELECTIVE PARTS					1	
27		21213004		SUPPORT PLAT	SELECTIVE PARTS					1	
28		D2402245E00		COUNTER KNIFE						1	
29		SS7060310SP		SCREW 3/32-56 L=3						2	
30		D2433245E00		HINGE SCREW						1	
31		21136601		CAM SHAFT BUSHING REAR						1	
32		SS8151230SP		SCREW 15/64-28 L=12						1	
33		SS8660410SP		SCREW 1/4-40 L=4.2						2	
34		D2434245E00		SCREW						2	
35		D2425245E00		PICKER HOLDER PLATE						1	
36		SS8660530TP		SCREW 1/4-40 L=4.5						4	
37		SS8151230SP		SCREW 15/64-28 L=12						1	
38		D2406245E0A		HOOK SHAFT BUSHING FRONT						1	
39		D2405245E00		CAM SHAFT GEAR						2	
40		21136502		CAM SHAFT						1	
41		21213301		PICKER						1	
42		D2432245E00		THRUST COLLER						1	
43		SS8660612TP		SCREW 1/4-40 L=6						2	
44		D2403245E00		THREAD TRIMMER CAM						1	
45		D1841141E00		THRUST COLLAR						1	
46		21213509		PICKER COVER						1	

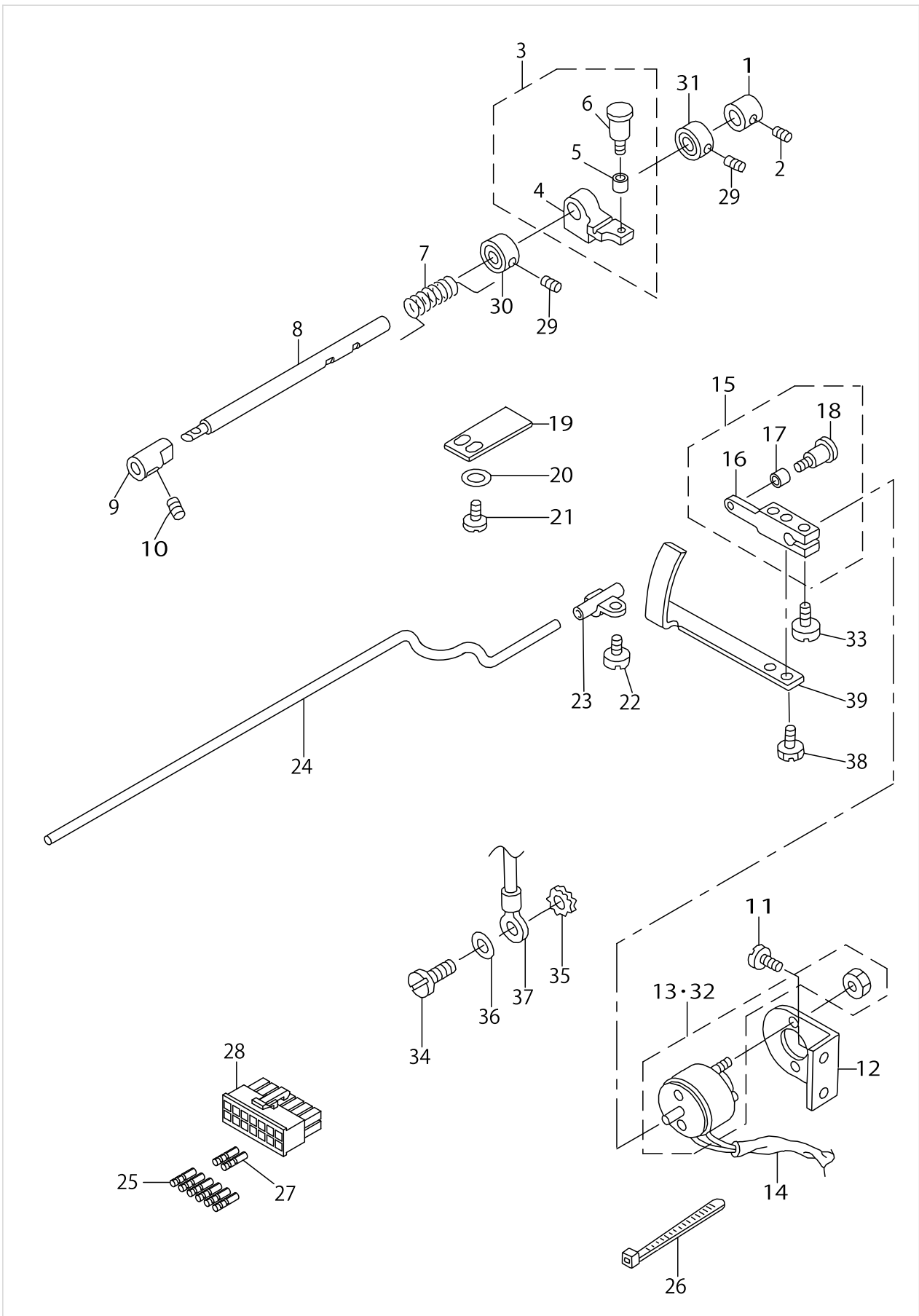
THREAD TRIMMER COMPONENTS (1) (EXCEPT DSU-142)



THREAD TRIMMER COMPONENTS (1) (EXCEPT DSU-142)

No.	Supply Code	Parts No.	Replacement	Parts name	Remarks	Choice	Step	Level	Cons	Qty	Rep. QTY
47		D2436245E00		SCREW						2	
48		SS5060310SP		SCREW 3/32-56 L=2.8						2	
49		D2426245E00		SPRING						1	
50		D2435245E00		SCREW						2	

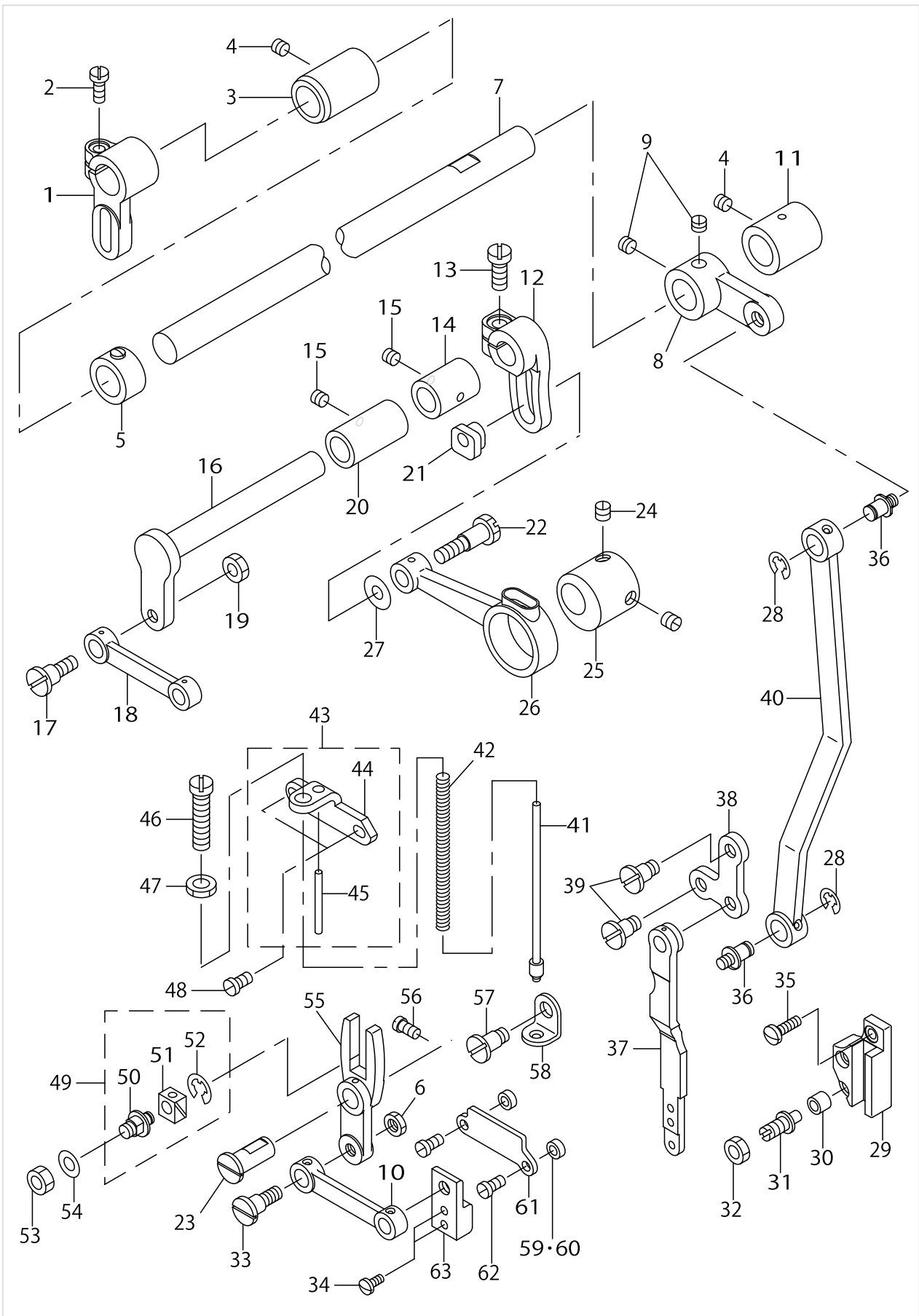
THREAD TRIMMER COMPONENTS (2) (EXCEPT DSU-142)



THREAD TRIMMER COMPONENTS (2) (EXCEPT DSU-142)

No.	Supply Code	Parts No.	Replacement	Parts name	Remarks	Choice	Step	Level	Cons	Qty	Rep. QTY
1		D2411245E00		BUSHING REAR						1	
2		SS8151230SP		SCREW15/64-28L=12						1	
3		D2417245EA0		CAM ROLLER ARM ASM.						1	
4		D2417245E00		CAM ROLLER ARM				*		1	
5		B3031141H00		CONNECTING STUD				*		1	
6		D2423245E00		CAM ROLLER ARM				*		1	
7		D2416245E00		SPRING						1	
8		D2409245E00		DRIVING SHAFT A						1	
9		D2410245E00		BUSHING FRONT						1	
10		SS8151230SP		SCREW15/64-28L=12						1	
11	R	SS7110910SP	SS7110910TP	SCREW 11/64-40 L=8.5						2	1.00
12		D2418245E00		SOLENOID BASE						1	
13		D2414245E00		SOLENOID	FOR DSU-- 142-4,-7(SC-1)					1	
14		D2428141E00		CORD TUBE 5X0.4						1	
15		D2415245EA0		SOLENOID ARM ASM.						1	
16		D2415245E00		SOLENOID ARM				*		1	
17		B3031141H00		CONNECTING STUD				*		1	
18		D2423245E00		CAM ROLLER ARM				*		1	
19		D2421245E00		CAM ROLLER ARM HOLDER						1	
20		WP0371016SD		WASHER 3.7X8X1						2	
21		SS6090810SP		SCREW 9/64-40 L=7.5						2	
22		SS7110710SP		SCREW 11/64-40 L=7						1	
23	D	D2430245EA0		PICKER DRIVING B- AR HOLDER ASM.						1	
24		21213400		PICKER DRIVING SHAFT						1	
25		HK03464000B		PIN CONTACT	FOR DSU-142-0B					6	
26		GES12153000		OIL WICK HOLDER						2	
27		HK03464000B		PIN CONTACT	FOR DSU-142-00					2	
28		HK034610140		HOUSING 14P	FOR DSU-142-7					1	
29		D2434245E00		SCREW						6	
30		D2432245E0A		THRUST COLLAR A						2	
31		D2432245E00		THRUST COLLER						1	
32		D2414245E0A		SOLENOID	FOR DSU-- 142-7(SC-380)					1	
33	R	SS7110910SP	SS7110910TP	SCREW 11/64-40 L=8.5						1	1.00
34		SS7110710SP		SCREW 11/64-40 L=7						1	
35		WT0530002KS		TOOTHED WASHER D=5.3						1	
36		WP0501016SD		WASHER 5X10.5X1						1	
37		D6037245GA0		GROUND WIRE ASM.	FOR DSU-- 142-7(SC-1)					1	
38	R	SS6090510SP	SS6090510TP	SCREW 9/64-40 L=5						2	1.00
39		D2428245E00		PICKER DRIVING PLATE						1	

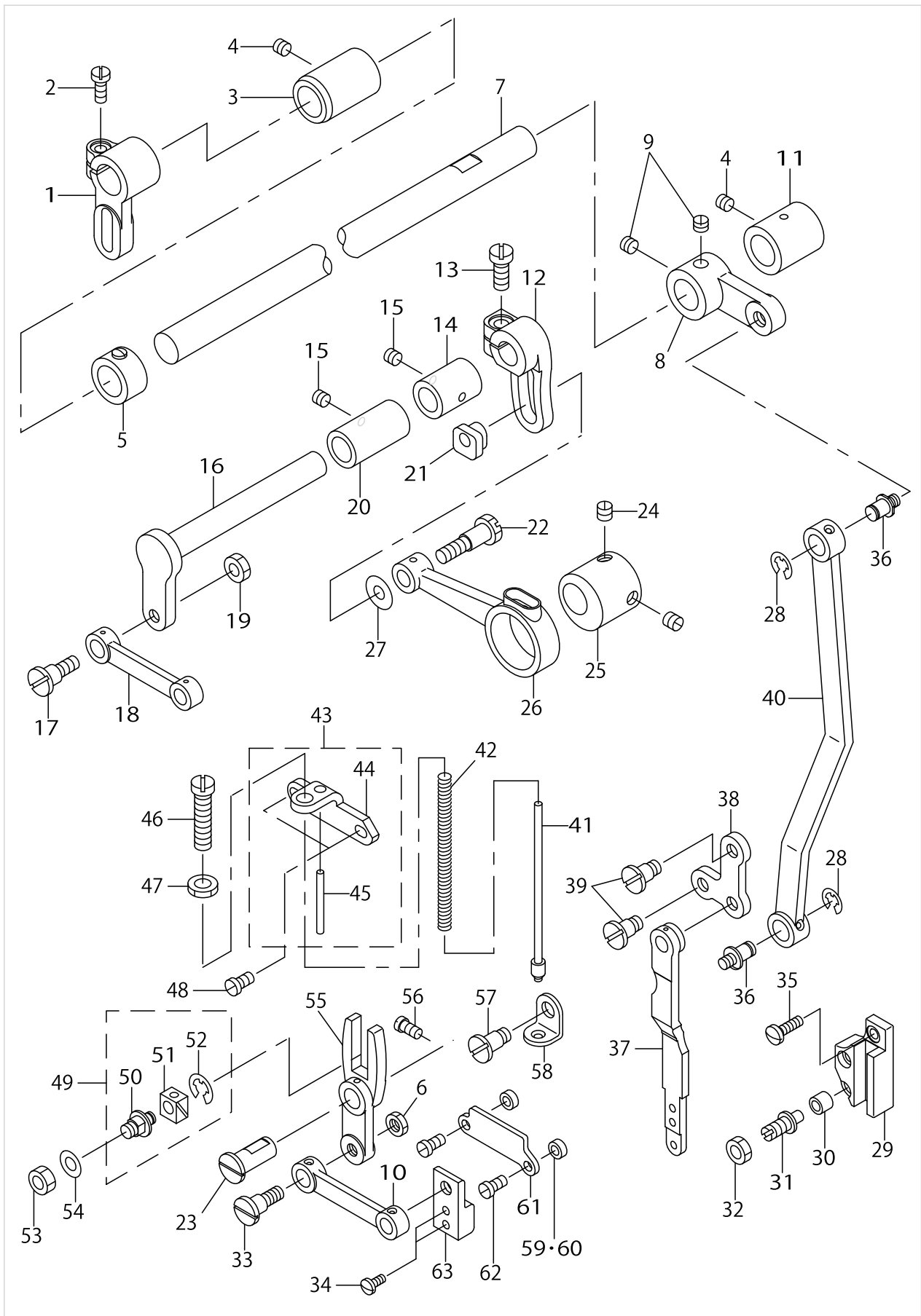
UPPER FEED MECHANISM COMPONENTS



UPPER FEED MECHANISM COMPONENTS

No.	Supply Code	Parts No.	Replacement	Parts name	Remarks	Choice	Step	Level	Cons	Qty	Rep. QTY
1		B3025141H00A		CONNECTING ARM						1	
2		SS6121210SP		SCREW 3/16-28 L=12						1	
3		10106102		BUSHING						1	
4		SS8150750SP		SCREW 15/64-28 L=7						2	
5		22904155		MAIN SHAFT THRU-ST COLLAR ASM.						1	
6		NS6150310SP		NUT 15/64-28						1	
7		B3026141H00		UPPER FEED DRIVING SHAFT						1	
8		B3029145000		CRANK						1	
9		SS8660530TP		SCREW 1/4-40 L=4.5						2	
10		B3005141H00		CONNECTING LINK						1	
11		B3028141H00		BUSHING REAR						1	
12	R	B3007141H00	B3007141HA0	UPPER FEED SPRING ROD						1	1.00
13		SS6151440SP		SCREW 15/64-28 L=14						1	
14		B3011141H00		BUSHING						1	
15	R	SS8150710SP	SS8150710TP	SCREW 15/64-28 L=7						2	1.00
16		B3003141H00A		UPPER FEED DRIVING SHAFT						1	
17		SD0850751SP		HINGE SCREW D=8.50 H=7.5						1	
18		B3005141H00		CONNECTING LINK						1	
19		NS6150310SP		NUT 15/64-28						1	
20		B3011141H0A		BUSHING FRONT						1	
21		B3009141H0A		NUT						1	
22		B3008141H00		HINGE SCREW						1	
23		21272802		FEED CONNECTING LINK SHAFT						1	
24		SS8660610TP		SCREW 1/4-40 L=6						2	
25		B3001141H00		FEED DRIVE ECCENTRIC CAM						1	
26		B3002141H00		CRANK CONNECTING ROD						1	
27		B3010141H00		WASHER						1	
28		RE0700000K0		E-RING 7						2	
29		B3020141H00		SLIDE BLOCK GUIDE						1	
30		B3031141H00		CONNECTING STUD						1	
31		B3032141H00		CONNECTING STUD SHAFT						1	
32		NS6660430SP		NUT 1/4-40						1	
33		SD0850751SP		HINGE SCREW D=8.50 H=7.5						1	
34	R	SS7091110SP	SS7091110TP	SCREW 9/64-40 L=10.5						2	1.00
35		SS7111410TP		SCREW 11/64-40 L=14						3	
36		B1424158000		HINGE SCREW						2	
37	R	B3014141H00B	40022000	L-SHAPED ROD						1	1.00
38		B3006141H00		L-SHAPED LINK						1	
39		B3015141H00		HINGE SCREW						3	
40		B3030145000		NEEDLE BAR FRAME ROD						1	
41		B3034141H00		SPRING POLE						1	
42		B3033141H00		SPRING						1	
43		B3037141HA0		SPRING BASE ASM.						1	
44		B3037141H00		SPRING BAR					*	1	
45		PS0300201KP		SPRING PIN 3.0X20					*	1	
46		B3036141H00		ADJUSTING THUMB SCREW						1	

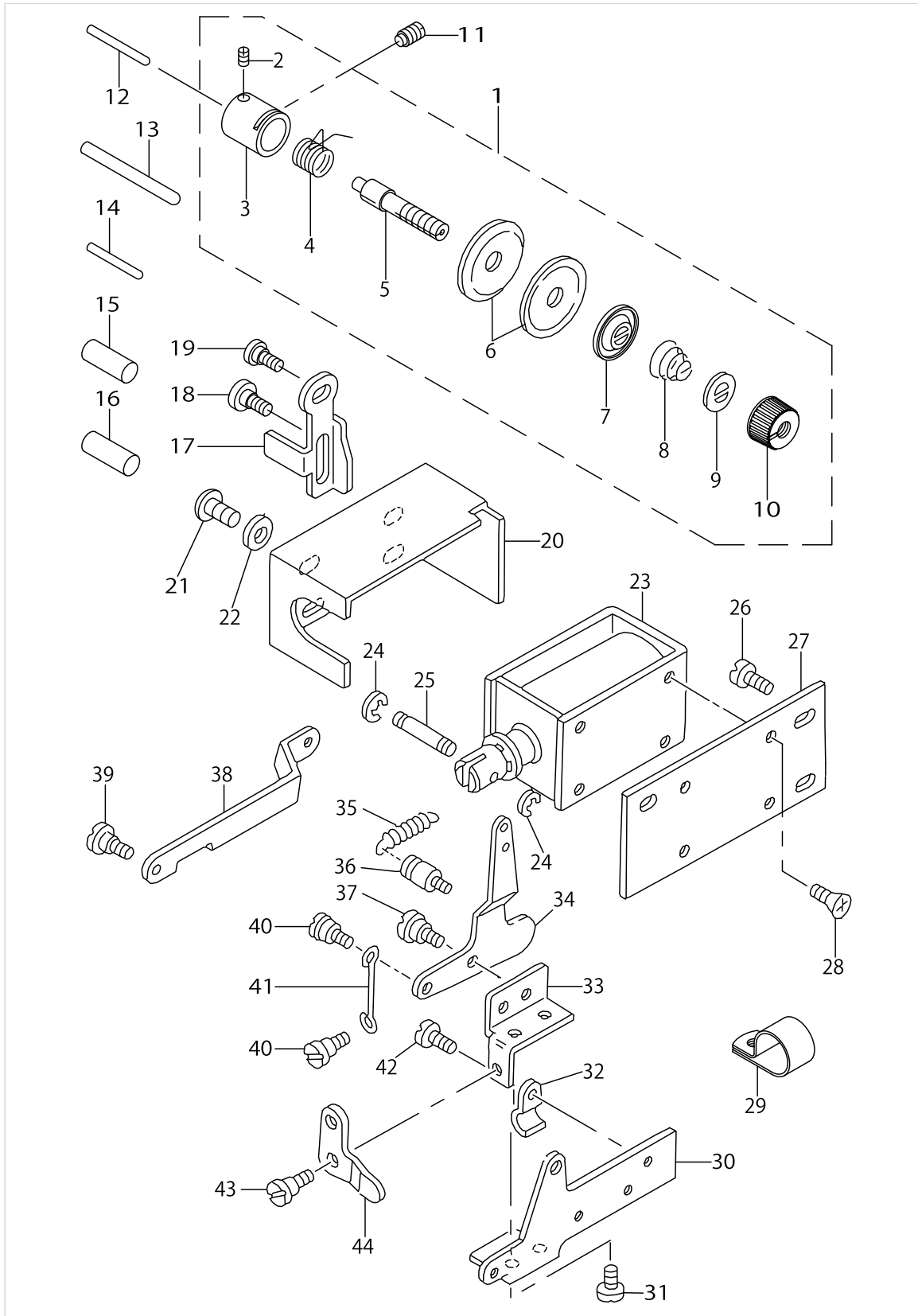
UPPER FEED MECHANISM COMPONENTS



UPPER FEED MECHANISM COMPONENTS

No.	Supply Code	Parts No.	Replacement	Parts name	Remarks	Choice	Step	Level	Cons	Qty	Rep. QTY
47		NS6680320SP		NUT 9/32-28						1	
48	R	SS7111120SP	SS7111120TP	SCREW 11/64-40 L=10.5						2	1.00
49		B3023141HA0A		SLIDE BLOCK ASM.						1	
50	R	B3023141H00A	B3023141HA0A	SLIDE BLOCK PIN				*		1	1.00
51	R	B3024141H00	B3023141HA0A	SLIDE BLOCK				*		1	1.00
52		RE0400000K0		E-RING 4				*		1	
53		NS6160520SP		NUT 1/4-24						1	
54		WP0650876SD		WASHER 6.5X13X0.8						1	
55		B3038141H00		SLIDE FORK						1	
56		SS7120910TP		SCREW 3/16-28 L=9						1	
57		B3016141H00		HINGE SCREW B						1	
58		B3035141H00		RETAINING PLATE						1	
59		B3013141H0A		WASHER						2	
60		B3013141H0B		WASHER	SELECTIVE PARTS					2	
61		B3012141H00A		WALKING BAR DRIVING LINK						1	
62	R	SS7110910SP	SS7110910TP	SCREW 11/64-40 L=8.5						2	1.00
63		B3017141H00B		CONNECTING LINK HOLDER						1	

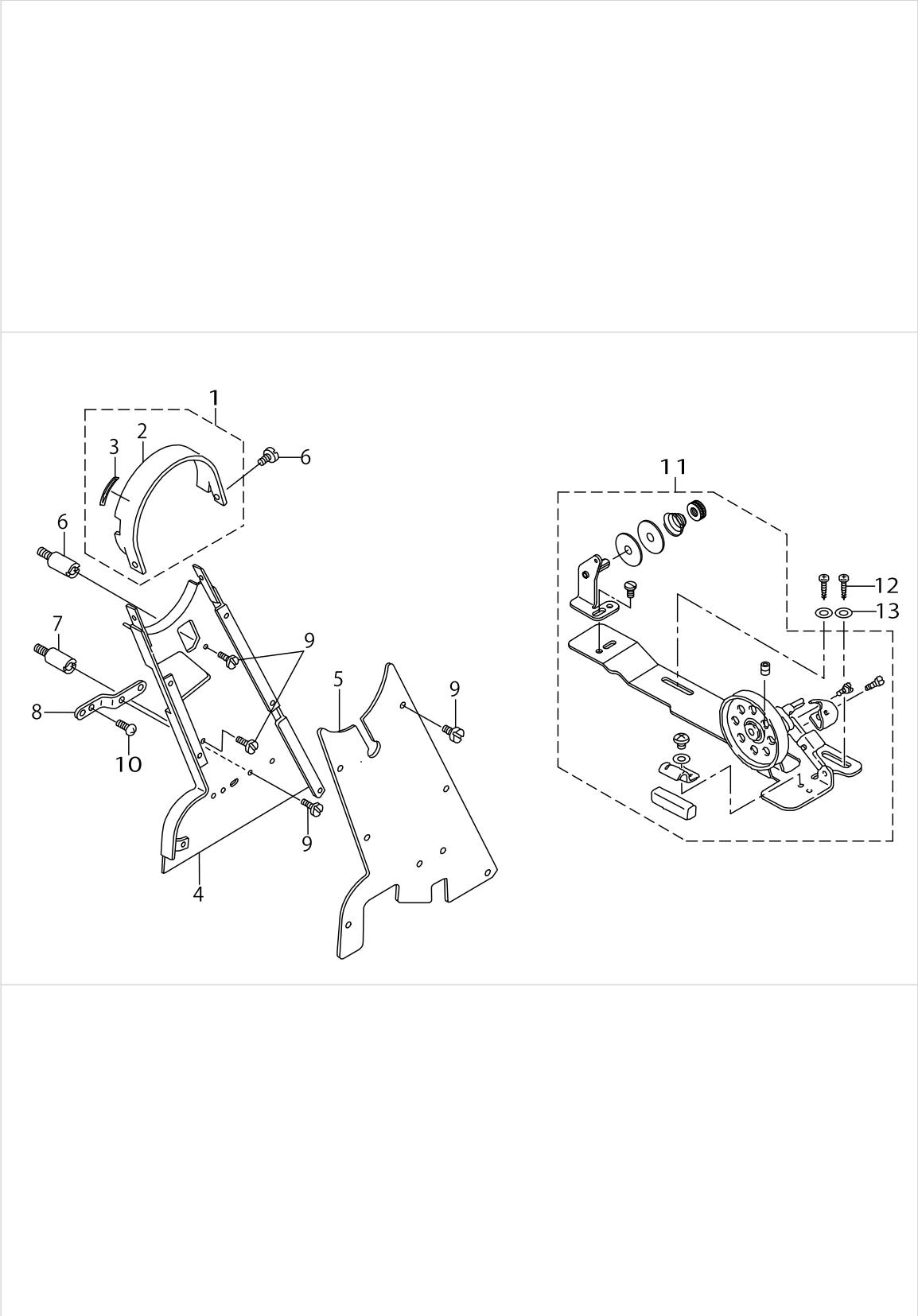
THREAD TENSION COMPONENTS



THREAD TENSION COMPONENTS

No.	Supply Code	Parts No.	Replacement	Parts name	Remarks	Choice	Step	Level	Cons	Qty	Rep. QTY
1	R	11073657	22962054	THREAD TENSION ASM.						1	1.00
2		SS8090670SP		SCREW 9/64-40 L=5.5				*		1	
3	R	B3111126000	22945307	TENSION POST SOCKET				*		1	1.00
4	R	B3128012000	22921605	TAKE-UP SPRING				*		1	1.00
5		B3115552000		TENSION POST				*		1	
6	R	B3126012000	22921506	THREAD TENSION DISK				*		2	1.00
7		B3132552000		THREAD TENSION DISK PRESSER				*		1	
8		B3114232000		THREAD TENSION SPRING				*		1	
9		B3120125000		ROTATING STOPPER				*		1	
10		11072204		TENSION NUT				*		1	
11	R	SS8150710SP	SS8150710TP	SCREW 15/64-28 L=7						1	1.00
12		B3118552F00		TENSION RELEASING PIN						1	
13		B3127127000		THREAD RELEASE AUXILIARY PIN	FOR DSU-142					1	
14		26028001		STOP MOTION LEVER SPRING PIN	EXCEPT DSU-142					2	
15		D3142141E00		PIN B	EXCEPT DSU-142					1	
16		D3142141E0A		PIN B	SELECTIVE PARTS EXCEPT DSU-142					1	
17		B3134141H00		TENSION RELEASE PLATE						1	
18		SD0600321SP		HINGE SCREW D=6 H=3.2						1	
19		SD0600271SP		HINGE SCREW D=6 H=2.7						1	
20		D3157141E0A		SOLENOID COVER	EXCEPT DSU-142					1	
21		SM4030601SC		SCREW M3 X 6	EXCEPT DSU-142					4	
22		WP0320501SC		WASHER M3	EXCEPT DSU-142					4	
23		D3153141E00		TENSION RELEASE SOLENOID	EXCEPT DSU-142					1	
24		RE0250000K0		E-RING 2.5	EXCEPT DSU-142					2	
25		D3156141E00		SOLENOID PIN	EXCEPT DSU-142					1	
26	R	SS7110910SP	SS7110910TP	SCREW 11/64-40 L=8.5	EXCEPT DSU-142					3	1.00
27		D3154141E00		SOLENOID INSTALLING PLATE	EXCEPT DSU-142					1	
28		SM1030601SA		SCREW M3 L=6	EXCEPT DSU-142					4	
29		EA9502B0500		CABLE CLIP	EXCEPT DSU-142					1	
30	D	D3160141E00		TENSION RELEASE PLATE	EXCEPT DSU-142					1	
31		SS7120640SP		SCREW 3/16-28 L=6	EXCEPT DSU-142					2	
32		B3538112000		OIL RETURN TUBE HOLDER	EXCEPT DSU-142					1	
33		D3151141E00		TENSION RELEASE BRACKET	EXCEPT DSU-142					1	
34	D	D3152141E00		TENSION RELEASE LINK B	EXCEPT DSU-142					1	
35		D3149141E00		SPRING	EXCEPT DSU-142					1	
36		10120004		SPRINGSUSPENSION	EXCEPT DSU-142					1	
37		SD0630301SP		HINGE SCREW D=6.35 H=3	EXCEPT DSU-142					1	
38	D	D3155141E00		SOLENOID ROD	EXCEPT DSU-142					1	
39		SD0550271TP		HINGE SCREW D=5.50 H=2.7	EXCEPT DSU-142					1	
40		SD0550271TP		HINGE SCREW D=5.50 H=2.7	EXCEPT DSU-142					2	
41		D3159141E00		CONNECTING BAR	EXCEPT DSU-142					1	
42		SS7110710SP		SCREW 11/64-40 L=7	EXCEPT DSU-142					3	
43		SD0640321SP		HINGE SCREW D=6.35 H=3.2	EXCEPT DSU-142					1	
44	D	D3158141E00		TENSION RELEASE LINK A	EXCEPT DSU-142					1	

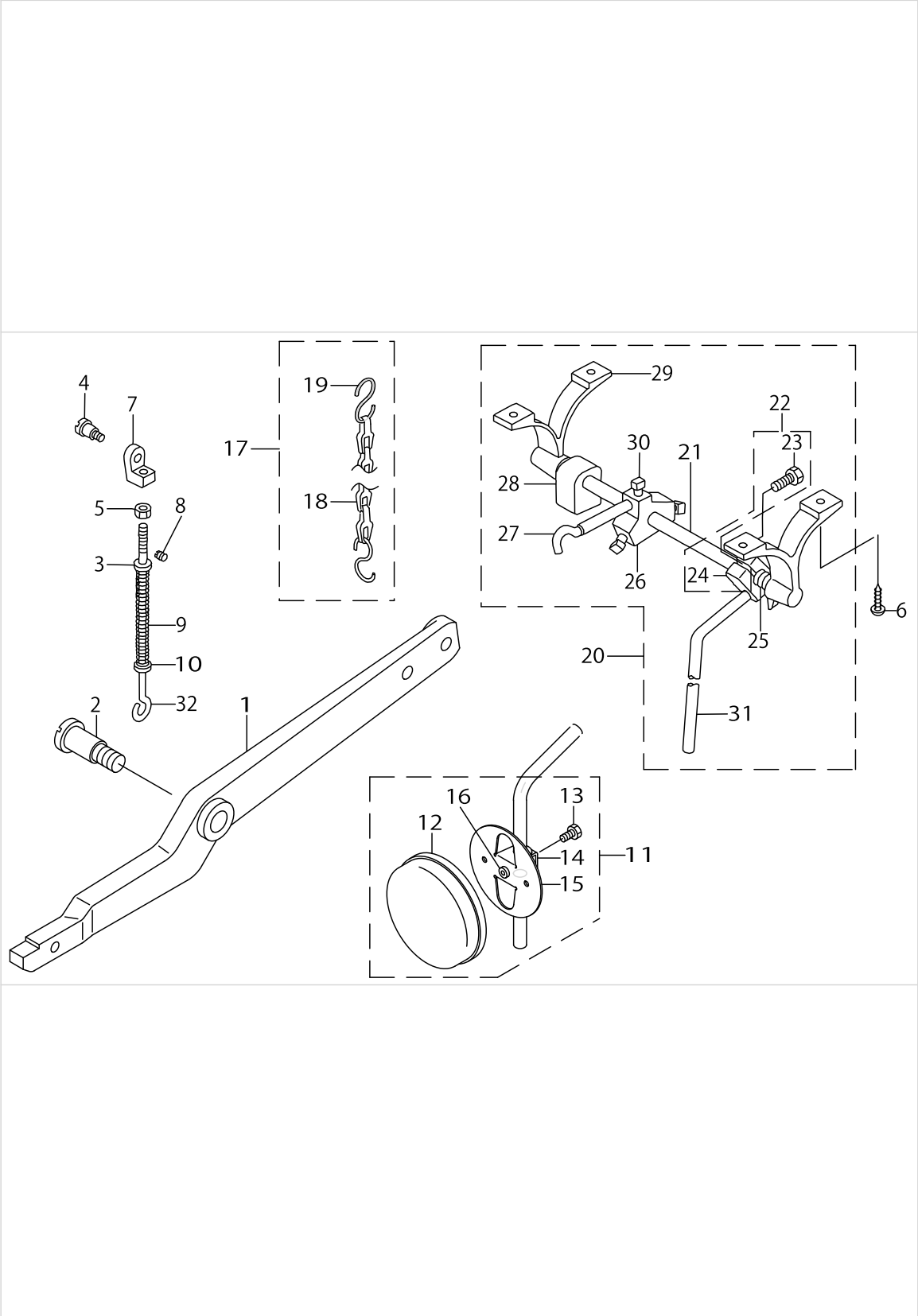
BELT COVER & BOBBIN WINDER COMPONENTS



BELT COVER & BOBBIN WINDER COMPONENTS

No.	Supply Code	Parts No.	Replacement	Parts name	Remarks	Choice	Step	Level	Cons	Qty	Rep. QTY
1		B91011450AA		TOP COVER (WITH LABEL)						1	
2		B910114500A		TOP COVER				*		1	
3		CM500300001		DIRECTION LABEL				*		1	
4		B91021450AA		TOP COVER ASM.						1	
5		21286901		TOP COVER PLATE						1	
6		B9106145000		BELT COVER SUPPORT STUD A						1	
7		B9107145000		BELT COVER SUPPORT STUD B						1	
8		B9108145000		BELT COVER SUPPORT PLATE						1	
9		SS6110480SP		SCREW 11/64-40 L=4.3						12	
10		SS7151210SP		SCREW15/64-28L=12						2	
11		22927354		BOBBIN WINDER COMPL.						1	
12	R	SK3482500SC	SK3482501SE	WOOD SCREW D=4.8 L=25						2	1.00
13		WP0501016SC		WASHER 5X10.5X1						2	

KNEE LIFTER COMPONENTS



KNEE LIFTER COMPONENTS

No.	Supply Code	Parts No.	Replacement	Parts name	Remarks	Choice	Step	Level	Cons	Qty	Rep. QTY
1		D3410141E0AA		KNEE LIFTER						1	
2		SD0991551SP		HINGE SCREW D=9.9 H=15.5						1	
3		CS0510713SD		SPRING REST						1	
4		SD0790351SP		HINGE SCREW D=7.9 H=3.5						1	
5		NS6620310SP		NUT 3/16-32						1	
6		SK1483201SE		WOOD SCREW D=4.8 L=32						4	
7		B3416141H00A		SWIVEL						1	
8		SS7110540SP		SCREW 11/64-40 L=5						1	
9		B3414245000		SPRING						1	
10		WP0621016SD		WASHER 6.2X13X1						1	
11	R	B34262450A0	23037856	KNEE PRESS PLATE ASM.						1	1.00
12		22934509		KNEE PAD PLATE COVER				*		1	
13		SM9061203SE		SCREW M6 L=12				*		1	
14		22934301		KNEE PAD PLATE SUPPORT				*		1	
15		22934202		KNEE PAD PLATE				*		1	
16		22934400		KNEE PAD PLATE RUBBER				*		1	
17		B34212450A0		CHAIN ASM.						1	
18		B3421245000		CHAIN				*		1	
19		13160304		S SHAPED HOOK				*		2	
20		B34202450A0		KNEE LIFTER ASM.						1	
21		B3420245000		MAIN SHAFT				*		1	
22		22932453		BRACKET ASM.				*		1	
23		22934707		SCREW				*		2	
24	R	22932404	22932453	BRACKET				*		1	1.00
25		B3425245000A		SPRING				*		1	
26		B3424141H00		MOUNTING BRACKET				*		1	
27		B3424245000		KNEE LIFTER PLATE ARM				*		1	
28		B3434141H00		BRACKET				*		1	
29		B3423245000		KNEE PRESS ROD HOLDER				*		2	
30	R	B3425141H00	SS9201813CP	MOUNTING BRACKET SET SCREW				*		3	1.00
31		B3422245000		KNEE LIFTER PLATE ROD				*		1	
32		B3415145000		LIFTING LEVER CONNECTING ROD						1	

TABLE COMPONENTS

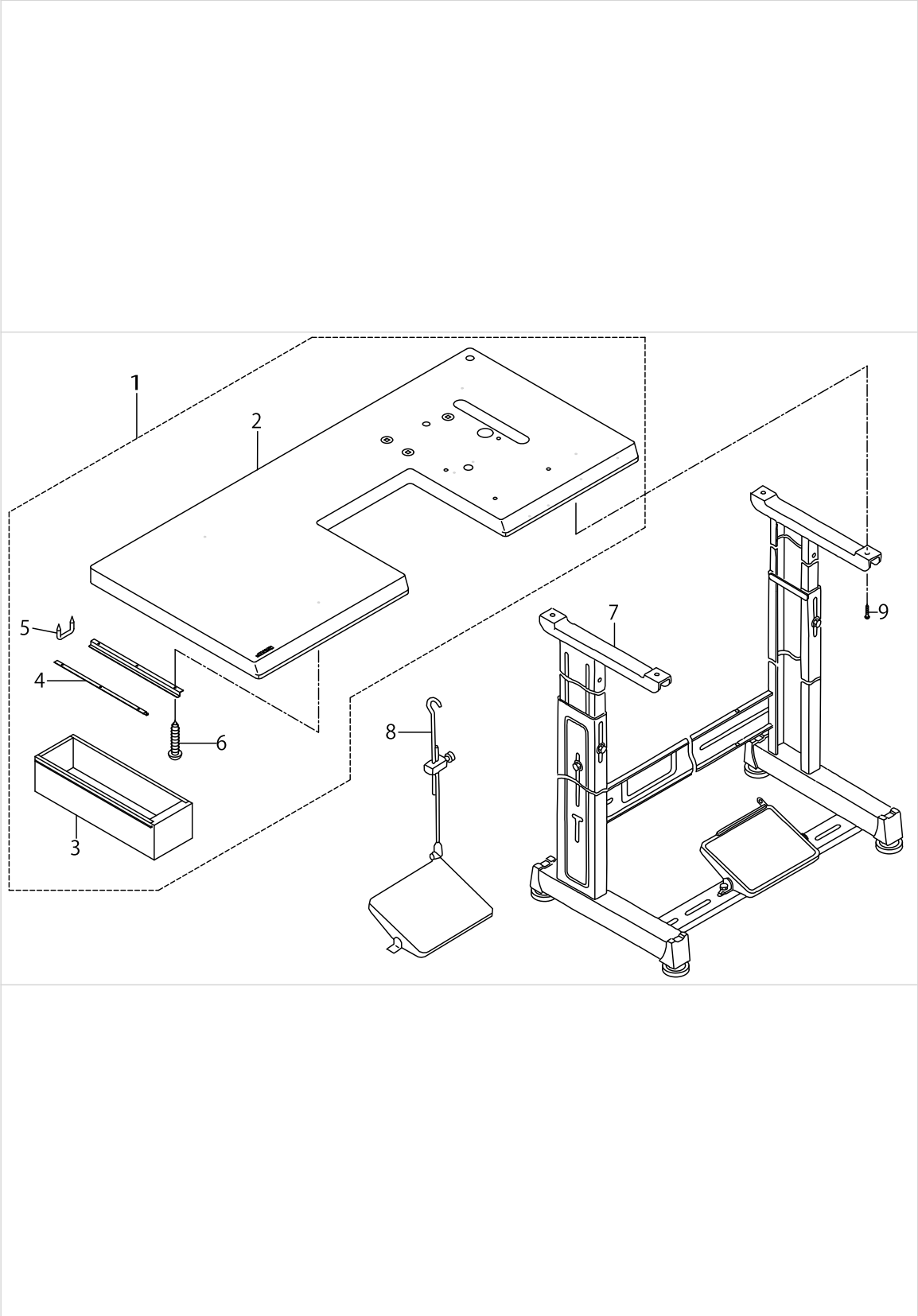
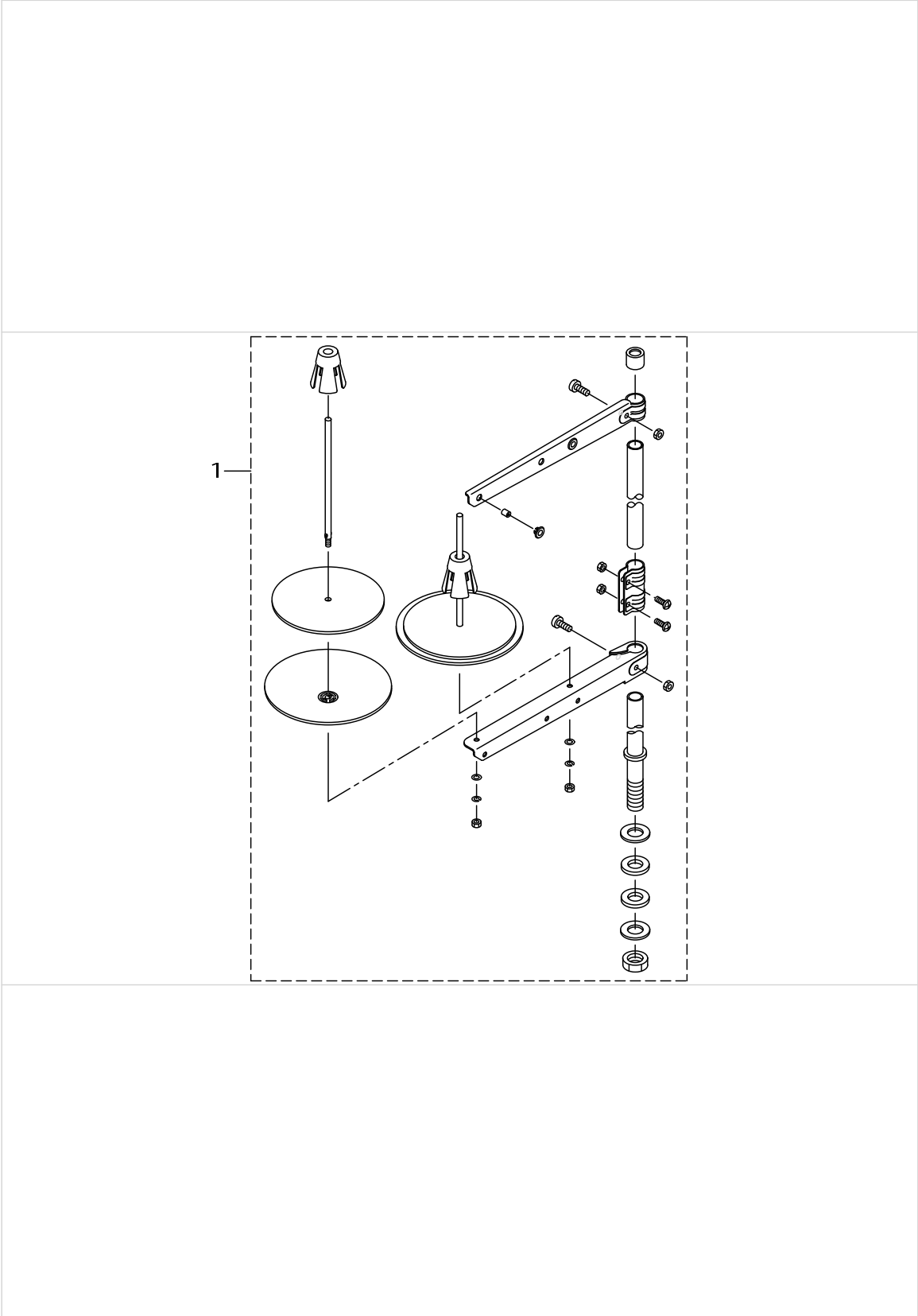


TABLE COMPONENTS

No.	Supply Code	Parts No.	Replacement	Parts name	Remarks	Choice	Step	Level	Cons	Qty	Rep. QTY
1		21218656		TABLE ASM.						1	
2		21218607		TABLE				*		1	
3	R	11155108	11155157	DRAWER				*		1	1.00
4		11155207		DRAWER SUPPORT				*		2	
5		D8204555D00		DRAWER STOPPER				*		1	
6		SK3311600SE		WOOD SCREW D=3.1 L=16				*		6	
7		11157567		T LEG JUNCTION						1	
8		B71140120A0		MOTOR CONNECTING ROD ASM.	FOR DSU-142					1	
9	R	SK3513200SC	SK3513201SE	WOOD SCREW D=5.1 L=32						4	1.00

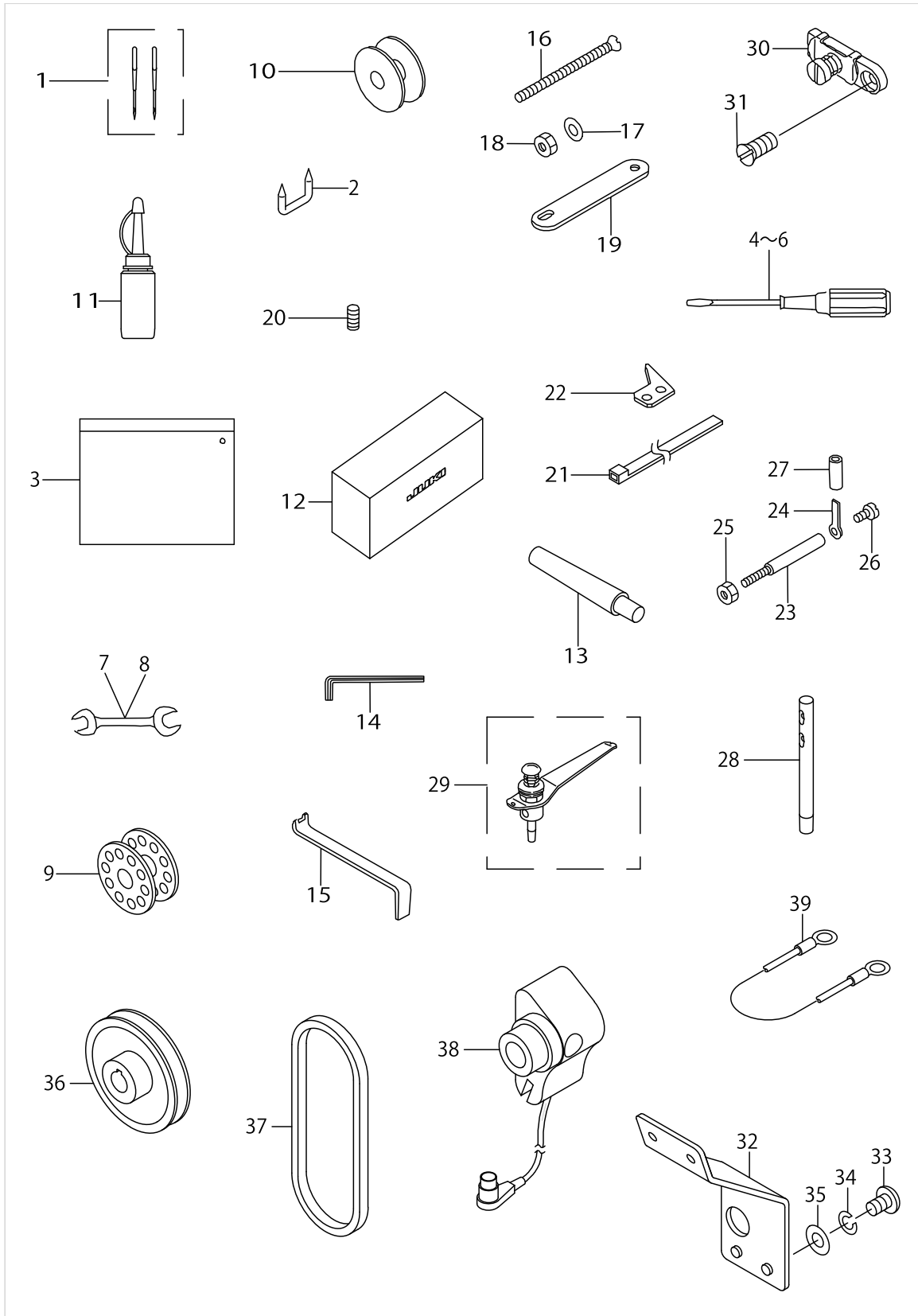
THREAD STAND COMPONENTS



THREAD STAND COMPONENTS

No.	Supply Code	Parts No.	Replacement	Parts name	Remarks	Choice	Step	Level	Cons	Qty	Rep. QTY
1		40096354		THREAD STAND ASM.						1	

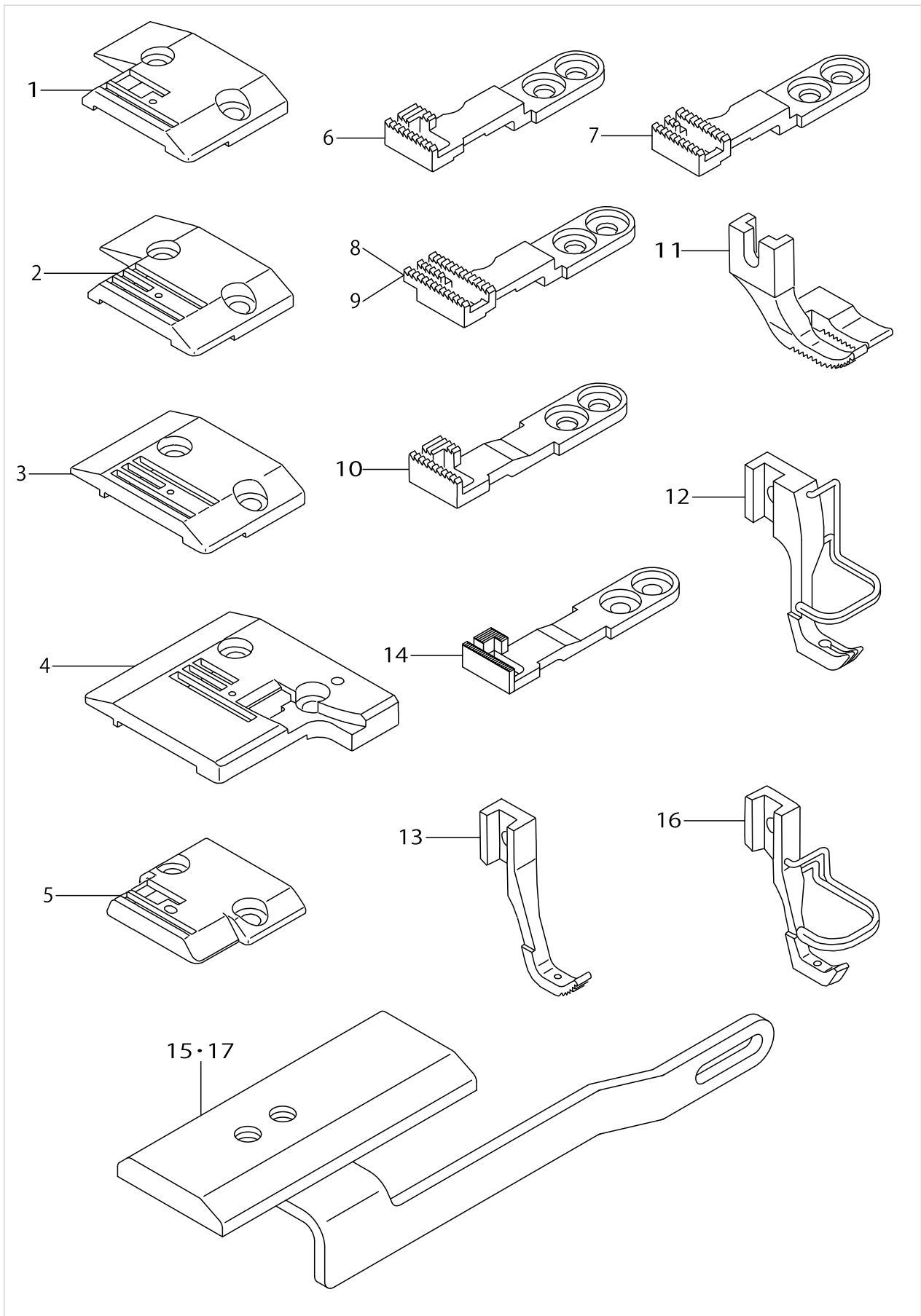
ACCESSORIES PARTS COMPONENTS



ACCESSORIES PARTS COMPONENTS

No.	Supply Code	Parts No.	Replacement	Parts name	Remarks	Choice	Step	Level	Cons	Qty	Rep. QTY
1		M13517B1102		NEEDLE 135X17 #110-2						1	
2		MAO11532000		CORD STAPLE	FOR DSU-142-4					2	
3	R	B9101552000	22932800	ACCESSORY BOX						1	1.00
4		22933006		SCREW DRIVER LARGE						1	
5		22933105		SCREW DRIVER MIDDLE						1	
6		22933204		SCREW DRIVER SMALL						1	
7	R	B9112012000	26034702	WRENCH (11X14)						1	1.00
8		B9113012000		WRENCH (9X10)						1	
9		22932909		BOBBIN	FOR DSU-142					3	
10		22964001		BOBBIN A	EXCEPT DSU-142					3	
11		B91212200A0		OILER (CONTAINING NO.2 OIL)						1	
12		22933303		VINYL COVER						1	
13		B820424500A		FRAME SUPPORT BAR						1	
14		J106600000F		HEXAGONAL WRENCH KEY						1	
15		B9111245000		WRENCH						1	
16		B9130245000		BOLT						4	
17		WP0751576SD		WASHER 7.5X19X1.5						4	
18		NM6060001SD		NUT M6						4	
19		21137104		GASKET						2	
20	D	B163224500G		PIN						1	
21		GES12153000		OIL WICK HOLDER	EXCEPT DSU-142					1	
22		D2402245E00		COUNTER KNIFE	EXCEPT DSU-142					1	
23		D7101245E00		SYNCHRONIZER HOLDER STUD						1	
24		D7102245E00		SYNCHRONZER HOLDER PLATE						1	
25		NS6150430SP		NUT 15/64-28						1	
26		SS7110710SP		SCREW 11/64-40 L=7						1	
27		BT0630520Z0		HOLDER COVER						1	
28		22958300		NEEDLE THREAD GUIDE PIN	FOR DSU-142					1	
29		10549657		THRAED GUIDE ASM.	EXCEPT DSU-142					1	
30		D1129141EA0		ARM THREAD GUIDE BOTTOM ASM.	EXCEPT DSU-142					1	
31		SS2090710TP		SCREW 9/64-40 L=7.2	EXCEPT DSU-142					1	
32		40052256		PANEL THREAD GUIDE						1	
33		SM4040601SC		SCREW M4X0.7 L=6						1	
34		WP0430800SC		WASHER M4						1	
35		WS0410002KN		SPRING WASHER						1	
36		MTSP00750B0		MOTOR PULLEY ASM. P.C.D 75	FOR DSU-142-7					1	
37		MTJVM00520A		V BELT	FOR DSU-142-7					1	
38		40026920		SYNCHRONIZER ASM	FOR DSU-142-7					1	
39		10741759		GROUND WIRE ASM.	FOR DSU-- 142-4,-7,J- US (FOR H- EAD ONLY)					1	

GAUGE COMPONENTS



GAUGE COMPONENTS

No.	Supply Code	Parts No.	Replacement	Parts name	Remarks	Choice	Step	Level	Cons	Qty	Rep. QTY
1		21203104		THRORT PLATE	OPTIONAL PARTS EXCEPT DSU-142					1	
2		21203203		THRORT PLATE	OPTIONAL PARTS EXCEPT DSU-142					1	
3		21203500		THRORT PLATE	OPTIONAL PARTS EXCEPT DSU-142					1	
4	D	21203609		THRORT PLATE	OPTIONAL PARTS EXCEPT DSU-142					1	
5		21202601		THRORT PLATE	OPTIONAL PARTS FOR DSU-142					1	
6	D	21207105		FEED DOG	OPTIONAL PARTS EXCEPT DSU-142					1	
7		21207204		FEED DOG	OPTIONAL PARTS EXCEPT DSU-142					1	
8		21207501		FEED DOG	OPTIONAL PARTS EXCEPT DSU-142					1	
9		21207600		FEED DOG	OPTIONAL PARTS EXCEPT DSU-142					1	
10	D	21206602		FEED DOG	OPTIONAL PARTS FOR DSU-142					1	
11	D	B152614500A		PRESSURE FOOT	OPTIONAL PARTS					1	
12		D1525141EAA		PRESSER FOOT ASM.	OPTIONAL PARTS EXCEPT DSU-142					1	
13		B152514500A		PRESSURE FOOT	OPTIONAL PARTS					1	
14		21206701		FEED DOG VERY FINE	OPTIONAL PARTS FOR DSU-142					1	
15		21214358		AUXILIARY THROAT PLATE ASM.	OPTIONAL PARTS EXCEPT DSU-142					1	
16		B1526141HA0		PRESSER FOOT ASM.	OPTIONAL PARTS FOR DSU-142					1	
17	D	21214655		AUXILIARY THROAT PLATE ASM.	OPTIONAL PARTS EXCEPT DSU-142					1	

LIST FOR INFORMATION OF CHANGE (1)

As to the place changed, refer to the corresponding Rev.No.
 When previous parts(Obsoleted part)and new parts(Added parts)are
 not interchangeable with each other:
 In this case,even obsoleted parts(D.)can be ordered with the
 obsoleted part number,so select the parts with changed dates and
 place your orders.

変更箇所は、該当Rev.No.版をご参照ください。
 部品の互換性がない変更の場合は、削除された品番でも、ご注文できます。

29027307
 No.0613-03} Rev.No.

*A:Added parts追加部品/D:Obsoleted parts削除部品/E:Erratum訂正

* Rev. No.	Page 頁	Ref. No.	Parts No. 品番	* Rev. No.	Page 頁	Ref. No.	Parts No. 品番
D 02	2	9	B1150-141-H0A-A	A 03	2	9	400-32259
D 02	2	54	SM-6082002-SP	A 03	2	54	SM-6082002-TP
D 02	2	57	CM-3002001-A1				
D 02	2	58	CM-3002001-01	A 03	2	58	CM-3013000-01
D 02	2	59	CM-3002000-B1	A 03	2	59	CM-3002000-01
D 02	2	60	CM-3002000-B1	A 03	2	60	CM-3002000-01
D 02	2	61	100-04109	A 03	2	57	229-01805
D 02	4	11	B1202-141-H00	A 03	4	11	B1202-141-H0A
D 02	4	23	SS-8150710-SP	A 03	4	23	SS-8150710-TP
D 02	4	31	B1308-145-000	A 03	4	31	B1308-012-000
				A 03	4	37	B1203-051-000
				A 03	4	38	TA-0550604-R0
D 02	6	3	MDP-170B1800	A 03	6	3	M1351-7B1-100
D 02	6	9	B1405-012-000	A 03	6	9	229-01409
D 02	6	30	110-71701	A 03	6	30	229-07604
D 02	10	30	SS-8150710-TP	A 03	10	30	SS-8150510-TP
D 02	12	7	B9117-552-A00	A 03	12	7	229-64001
D 02	12	13	B9117-012-000	A 03	12	13	229-32909
D 02	20	14	B2608-372-000	A 03	20	14	260-28001
D 02	20	21	SM-5030655-SP	A 03	20	21	SM-4030601-SC
D 02	21	11	110-77567	A 03	21	11	229-27354
D 02	21	14	229-30358				
D 02	22	6	SK-1483200-SE	A 03	22	6	SK-1483201-SE
D 02	22	11	167-75850	A 03	22	11	B3426-245-OA0
D 02	22	12	B3431-552-000-A	A 03	22	12	229-34509
D 02	22	13	SS-9151540-SR	A 03	22	13	SM-9061203-SE
D 02	22	14	110-23801	A 03	22	14	229-34301
D 02	22	15	110-23702	A 03	22	15	229-34202
D 02	22	16	110-24403	A 03	22	16	229-34400
D 02	22	19	B8133-019-000	A 03	22	19	131-60304
				A 03	22	22	229-32453
D 02	22	22	SS-9182010-SN	A 03	22	23	229-34707
D 02	22	25	B3433-141-H0A	A 03	22	24	229-32404
D 02	24	9	ST-9053511-SR	A 03	23	9	SK-3513200-SC
				A 03	24	-	ALL PARTS - 全部品
D 02	26	1	MDP-170B1802	A 03	26	1	M1351-7B1-102

LIST FOR INFORMATION OF CHANGE (2)

*	Rev. No.	Page 頁	Ref. No.	Parts No. 品 番	*	Rev. No.	Page 頁	Ref. No.	Parts No. 品 番
	D 02	26	4	B9109-555-000		A 03	26	4	229-33006
	D 02	26	5	B9110-012-000		A 03	26	5	229-33105
	D 02	26	6	B9111-012-000		A 03	26	6	229-33204
	D 02	26	9	B9117-012-000		A 03	26	9	229-32909
	D 02	26	10	B9117-552-A00		A 03	26	10	229-64001
	D 02	26	12	D9118-555-B00		A 03	26	12	229-33303
	D 02	26	28	B1114-012-000		A 03	26	28	229-58300
	D 02	26	31	SS-2090710-SP		A 03	26	31	SS-2090710-TP
	D 02	26	32	D1114-245-F00		A 03	26	32	400-52256
	D 02	26	38	GSY-01000BA0		A 03	26	38	400-26920
	D 02	26	39	MSC-M80000A0					
	D 02	26	40	M6068-350-DAA					
	D 02	26	42	100-39451					

HOW TO MAKE USE OF THIS PARTS LIST

1.Explanation of codes

1)"*"mark.....means this part is changed from the previous parts book.

As to the details of the change, refer to the "List for information of change".

2)"#01".....refer to "Note" explanation at bottom of page.

2.Codes on the "Qty" column

• Each numeral indicates the number of parts required.

• "0.1" and "2.5" indicate the length (in meters) of the respective parts.

3.Parentheses mean that the corresponding part is a subpart that constructs an assembly part.

4.Dotted lines on the Figures indicate assembly parts.

1."注記"欄の記号説明

1) "*"印.....前回のパーツブックに比較して今回変更された部品を意味します。

変更内容は、"変更情報リスト"を参照してください。

2) "#01".....ページ下の"注記"の説明を参照してください。

2.数量欄の数字は、個数を表し、0.1、2.5等の数値は、長さ（単位メートル）を表します。

3.数量欄の（ ）は、組部品を構成している子部品であることを意味します。

4.イラストページの-----枠は、組構成であることを意味します。

NUMERICAL INDEX OF PARTS

PART NO	PAGE	REF NO.	PART NO	PAGE	REF NO.	PART NO	PAGE	REF NO.
10106102	24	3	21207006	12	46	22932909	38	9
10119006	14	2	21207105	40	6	22933006	38	4~6
10119204	14	3	21207204	40	7	22933105	38	4~6
10119402	14	24	21207501	40	8	22933204	38	4~6
10119907	14	35	21207600	40	9	22933303	38	12
10120004	14	28	21208004	12	48	22934202	32	15
10120004	28	36	21208103	12	66	22934301	32	14
10161305	14	1	21208202	12	76	22934400	32	16
10549657	38	29	21208350	12	69	22934509	32	12
10741759	38	39	21208608	16	11	22934707	32	23
11072204	28	10	21208707	16	5	22958300	38	28
11073657	28	1	21209051	16	12	22964001	16	7
11155108	34	3	21209952	16	6	22964001	38	10
11155207	34	4	21210059	16	14	26028001	28	14
11157567	34	7	21211651	8	12	40026920	38	38
11415205	4	20·56	21212501	18	2	40032259	2	9
13160304	32	19	21212600	18	23~27	40052256	38	32
21103304	8	6	21212709	18	23~27	40096354	36	1
21133103	4	50	21212808	18	23~27	B1114280000	14	34
21136205	16	9	21212907	18	23~27	B1116246000	4	47
21136304	16	10	21213004	18	23~27	B1117246000	2	46
21136502	18	40	21213202	18	1	B1118141H0AA	2	2
21136601	18	31	21213301	18	41	B1123141H0A	2	20·56
21137104	38	19	21213400	22	24	B1128246000	4	49
21201207	2	32	21213509	18	46	B1129141H00	2	30
21201306	4	52	21214358	40	15·17	B1131141H00	2	35
21201405	4	53	21214655	40	15·17	B1147141H00	12	85
21202007	4	51	21215355	2	25	B1148141H00	12	84
21202601	40	5	21218607	34	2	B1156115000	2	11
21203005	2	29	21218656	34	1	B1202141H0A	6	11
21203104	40	1	21272802	24	23	B1203051000	6	37
21203203	40	2	21286604	6	8·17·18	B1203141H00	6	9
21203500	40	3	21286802	8	34	B1210141H00	8	17
21203609	40	4	21286901	30	5	B1211141H00	6	6
21205059	2	3	21295308	6	8·17·18	B1211226000	6	10
21205109	6	20	22901409	8	9	B1212012000	6	25
21205307	8	1	22901805	4	57	B1213012000	6	24
21205513	10	10	22904155	6	15	B122714500A	6	8·17·18
21205562	10	8	22904155	24	5	B1301201000	6	12
21205604	10	18	22906101	8	10	B1302201000	6	4
21205711	10	19	22907604	8	30	B1303271000	6	19
21205760	10	17	22927354	30	11	B13050120A0	6	22
21206008	10	37	22932404	32	24	B13061550A0	6	32
21206602	40	10	22932453	32	22	B13071550A0	6	34
21206701	40	14	22932909	16	13	B1308012000	6	31

NUMERICAL INDEX OF PARTS

PART NO	PAGE	REF NO.	PART NO	PAGE	REF NO.	PART NO	PAGE	REF NO.
B13081550A0	6	35	B1638141H00	12	83	B3013141H0B	26	59-60
B1310012000	6	29	B1638245000	12	47	B3014141H00B	24	37
B1311012000	6	27	B1639145000	10	41	B3015141H00	24	39
B1312012000	6	30	B1640145000	10	36	B3016141H00	26	57
B1408141H00	8	19	B1641245000	10	39	B3017141H00B	26	63
B14115520A0	8	20	B1642245000	10	40	B3020141H00	24	29
B1414555000	8	4	B1643145000	12	54	B3023141H00A	26	50
B1421141H00	8	37	B1644245000	12	52	B3023141HA0A	26	49
B1424158000	10	34	B1645245000	10	42	B3024141H00	26	51
B1424158000	24	36	B1646201000	10	26	B3025141H00A	24	1
B1501141H00	8	40	B1646245000	12	57	B3026141H00	24	7
B1509141H00	8	29	B1647145000	12	75	B3028141H00	24	11
B1510141H00	8	31	B1647226000	10	25	B3029145000	24	8
B1510155000	8	8	B1648122000	10	32	B3030145000	24	40
B1512141H00	8	27	B1651245000	12	73	B3031141H00	22	17
B1513141H00	8	24	B1652245000	10	43	B3031141H00	24	30
B1515141H00	8	22	B1654245000	12	77	B3032141H00	24	31
B152514500A	40	13	B1655245000	12	78	B3033141H00	24	42
B1526141HA0	40	16	B1806038000	16	1	B3034141H00	24	41
B1526145000	8	38	B183924500A	16	4	B3035141H00	26	58
B152614500A	40	11	B183924500B	16	3	B3036141H00	24	46
B1603245000	12	56	B183924500C	16	2	B3037141H00	24	44
B1605145000	12	60	B185351200AA	18	11~15	B3037141HA0	24	43
B1606145000	10	38	B185351200BA	18	11~15	B3038141H00	26	55
B1614145000	10	14	B185351200CA	18	11~15	B3111126000	28	3
B1618226000	10	15	B185351200D	18	11~15	B3114232000	28	8
B1619115000	10	3	B185351200E	18	11~15	B3115552000	28	5
B16191150A0	10	1	B1901115000	8	13	B3118552F00	28	12
B1620145000	10	16	B1902115000	8	14	B3120125000	28	9
B1621141H00A	12	55	B1903141H00	8	16	B3126012000	28	6
B1622141H00	10	5	B1904115000	8	15	B3127127000	28	13
B1624141H00	12	50	B2733761000	14	32	B3128012000	28	4
B1627226000	10	27	B3001141H00	24	25	B3132552000	28	7
B163224500C	10	20~24	B3002141H00	24	26	B3134141H00	28	17
B163224500D	10	20~24	B3003141H00A	24	16	B3214047000	2	6
B163224500E	10	20~24	B3005141H00	24	18	B3216047000	2	8
B163224500F	10	20~24	B3006141H00	24	38	B3218232000	2	7
B163224500G	10	20~24	B3007141H00	24	12	B3414245000	32	9
B163224500G	38	20	B3008141H00	24	22	B3415145000	32	32
B16331220A0	10	28	B3009141H0A	24	21	B3416141H00A	32	7
B1634141H00A	12	68	B3010141H00	24	27	B3420245000	32	21
B1635245000	12	71	B3011141H00	24	14	B34202450A0	32	20
B1636141H0A	12	82	B3011141H0A	24	20	B3421245000	32	18
B1637141H00	12	81	B3012141H00A	26	61	B34212450A0	32	17
B1637245000	12	72	B3013141H0A	26	59-60	B3422245000	32	31

NUMERICAL INDEX OF PARTS

PART NO	PAGE	REF NO.	PART NO	PAGE	REF NO.	PART NO	PAGE	REF NO.
B3423245000	32	29	D1525141E00	8	36	D2432245E0A	22	30
B3424141H00	32	26	D1525141EA0	8	35	D2433245E00	18	30
B3424245000	32	27	D1525141EAA	40	12	D2434245E00	18	34
B3425141H00	32	30	D1621141E00	12	64	D2434245E00	22	29
B3425245000A	32	25	D1624141E0A	12	63	D2435245E00	20	50
B34262450A0	32	11	D1680141EA0	14	6	D2436141E00	18	17
B3434141H00	32	28	D1681141E0A	14	9	D2436245E00	20	47
B35031450A0	2	14	D1682141E00	14	21	D2441141E00	18	18
B3503201000	2	15	D1683141E00	14	13	D2464555B00	14	15
B3504201000	2	13	D1684141E00A	14	23	D3142141E00	28	15
B3515201000	2	18	D1685141E00	14	27	D3142141E0A	28	16
B3517009000	6	26	D1686141E00	14	8	D3149141E00	28	35
B3527012000	2	16	D1687141E00	14	25	D3151141E00	28	33
B3538112000	28	32	D1841141E00	18	45	D3152141E00	28	34
B71140120A0	34	8	D2120555C00	18	7	D3153141E00	28	23
B820424500A	38	13	D2401245E00	18	22	D3154141E00	28	27
B910114500A	30	2	D2402245E00	18	28	D3155141E00	28	38
B91011450AA	30	1	D2402245E00	38	22	D3156141E00	28	25
B9101552000	38	3	D2403245E00	18	44	D3157141E0A	28	20
B91021450AA	30	4	D2405245E00	18	39	D3158141E00	28	44
B9106145000	30	6	D2406245E0A	18	38	D3159141E00	28	41
B9107145000	30	7	D2409245E00	22	8	D3160141E00	28	30
B9108145000	30	8	D2410245E00	22	9	D3161555B00	2	5
B9111245000	38	15	D2411245E00	22	1	D3162560E00	2	4
B9112012000	38	7	D2412245E00	18	16	D3410141E0AA	32	1
B9113012000	38	8	D2413245E00	18	10	D6037245GA0	22	37
B91212200A0	38	11	D2414141E00	2	33	D7101245E00	38	23
B9130245000	38	16	D2414245E00	22	13·32	D7102245E00	38	24
BP300000000	14	31	D2414245E0A	22	13·32	D8204555D00	34	5
BT0630520Z0	38	27	D2415245E00	22	16	EA9502B0500	28	29
CM300200001	4	60	D2415245EA0	22	15	GES12153000	22	26
CM301300001	4	58	D2416245E00	22	7	GES12153000	38	21
CM500300001	30	3	D2417245E00	22	4	HK034610140	22	28
CQ200000000	10	2	D2417245EA0	22	3	HK03464000B	22	27
CQ202000000	2	17	D2418245E00	22	12	J106600000F	38	14
CQ202000000	6	36	D2419245E00	18	9	M13517B1100	8	3
CS0510713SD	32	3	D2421245E00	22	19	M13517B1102	38	1
D1126560E00A	2	36	D2423245E00	22	18	MAO11532000	38	2
D1129141EA0	38	30	D2425245E00	18	35	MAT81126T00	14	7
D1173145E00	2	40	D2426245E00	20	49	MTJVM00520A	38	37
D1201141E00A	6	14	D2428141E00	22	14	MTSP00750B0	38	36
D1206141E00	6	1	D2428245E00	22	39	NM6060001SD	38	18
D1403141E00	8	7	D2430245EA0	22	23	NS6150310SP	24	19
D1418141E00	8	5	D2432245E00	18	42	NS6150430SP	14	26
D1512141E00	8	28	D2432245E00	22	31	NS6150430SP	38	25

NUMERICAL INDEX OF PARTS

PART NO	PAGE	REF NO.	PART NO	PAGE	REF NO.	PART NO	PAGE	REF NO.
NS6160520SP	26	53	SS5090610SP	2	34	SS7120640SP	28	31
NS6620310SP	32	5	SS5110710SP	12	58	SS7120910TP	26	56
NS6660430SP	24	32	SS6060210SP	12	80	SS7121410SP	14	29
NS6680320SP	26	47	SS6090510SP	22	38	SS7151210SP	14	19
NS6680410SP	10	13	SS6090610SP	10	12	SS7151210SP	30	10
PS0300132KH	8	26	SS6090670TP	8	18	SS7620750SP	10	31
PS0300201KP	24	45	SS6090810SP	22	21	SS7681750TP	6	13
PS0350102KR	2	23	SS6091022TP	18	3	SS8090410SP	18	21
PS0400182K0	12	74	SS6110480SP	30	9	SS8090670SP	28	2
PS0600602KP	2	44	SS6110610TP	8	33	SS8110410TP	12	59
RE0250000K0	28	24	SS6111610SP	2	27	SS8110750SP	2	22
RE0300000K0	12	53	SS6121050SP	12	70	SS8110750SP	8	25
RE0400000K0	14	14	SS6121210SP	10	29	SS8150510TP	14	30
RE0400000K0	26	52	SS6121210SP	24	2	SS8150710SP	10	61
RE0600000K0	14	22	SS6151220SP	10	6	SS8150710SP	12	61
RE0700000K0	10	33	SS6151440SP	24	13	SS8150710SP	24	15
RE0700000K0	24	28	SS6661110SP	10	7	SS8150710SP	28	11
RO074240100	12	67	SS7060310SP	18	29	SS8150710TP	6	23
SD0550271TP	28	40	SS7080510TP	8	2	SS8150750SP	24	4
SD0600271SP	28	19	SS7080520SP	12	49	SS8150830SP	12	62
SD0600321SP	28	18	SS7090610SP	8	39	SS8151150SP	6	5
SD0630301SP	28	37	SS7090620TP	2	31	SS8151230SP	18	37
SD0640321SP	18	6	SS7090710SP	10	35	SS8151230SP	22	10
SD0640321SP	28	43	SS7090710SP	14	20	SS8151550SP	6	33
SD0720331SP	14	33	SS7091110SP	8	21	SS8151550SP	8	11
SD0790351SP	32	4	SS7091110SP	24	34	SS8151550SP	16	8
SD0800352SP	4	48	SS7110510SP	2	19	SS8660410SP	18	33
SD0850751SP	24	33	SS7110540SP	18	19	SS8660530TP	18	36
SD0950802SH	10	4	SS7110540SP	32	8	SS8660530TP	24	9
SD0991551SP	32	2	SS7110710SP	2	10	SS8660610TP	6	3
SK1483201SE	32	6	SS7110710SP	14	10	SS8660610TP	8	32
SK3311600SE	34	6	SS7110710SP	18	8	SS8660610TP	24	24
SK3482500SC	30	12	SS7110710SP	22	34	SS8660612TP	18	43
SK3513200SC	34	9	SS7110710SP	28	42	SS8681950SP	6	2
SM1030601SA	28	28	SS7110710SP	38	26	SS8701042TP	12	65
SM4030601SC	28	21	SS7110840SP	8	23	SS9111010SP	14	12
SM4040601SC	38	33	SS7110910SP	2	38	SS9181520CP	6	28
SM6082002TP	4	54	SS7110910SP	22	33	SS9660720SP	12	45
SM9061203SE	32	13	SS7110910SP	26	62	SS9660910SP	10	44
SS2090710SP	2	39	SS7110910SP	28	26	TA0550604R0	6	38
SS2090710TP	38	31	SS7111120SP	26	48	TA0750704R0	2	45
SS2090810SP	10	11	SS7111410SP	4	55	TA1120804R0	2	43
SS2110915SP	2	28	SS7111410TP	18	20	TA1250406R0	2	41
SS4081110SN	12	79	SS7111410TP	24	35	TA2100904R0	2	42
SS5060310SP	20	48	SS7112420SP	2	24	WP0320501SC	28	22

NUMERICAL INDEX OF PARTS

PART NO	PAGE	REF NO.
WP0371016SD	22	20
WP0371026SD	18	5
WP0430800SC	38	34
WP0501016SC	30	13
WP0501016SD	14	11
WP0501016SD	22	36
WP0621016SD	14	18
WP0621016SD	32	10
WP0650876SD	26	54
WP0751576SD	38	17
WS0410002KN	18	4
WS0410002KN	38	35
WS0631510KP	14	17
WT0530002KS	22	35
WZ1052010KP	12	51