

MODEL : AE-4,-5

List No : 0846-02

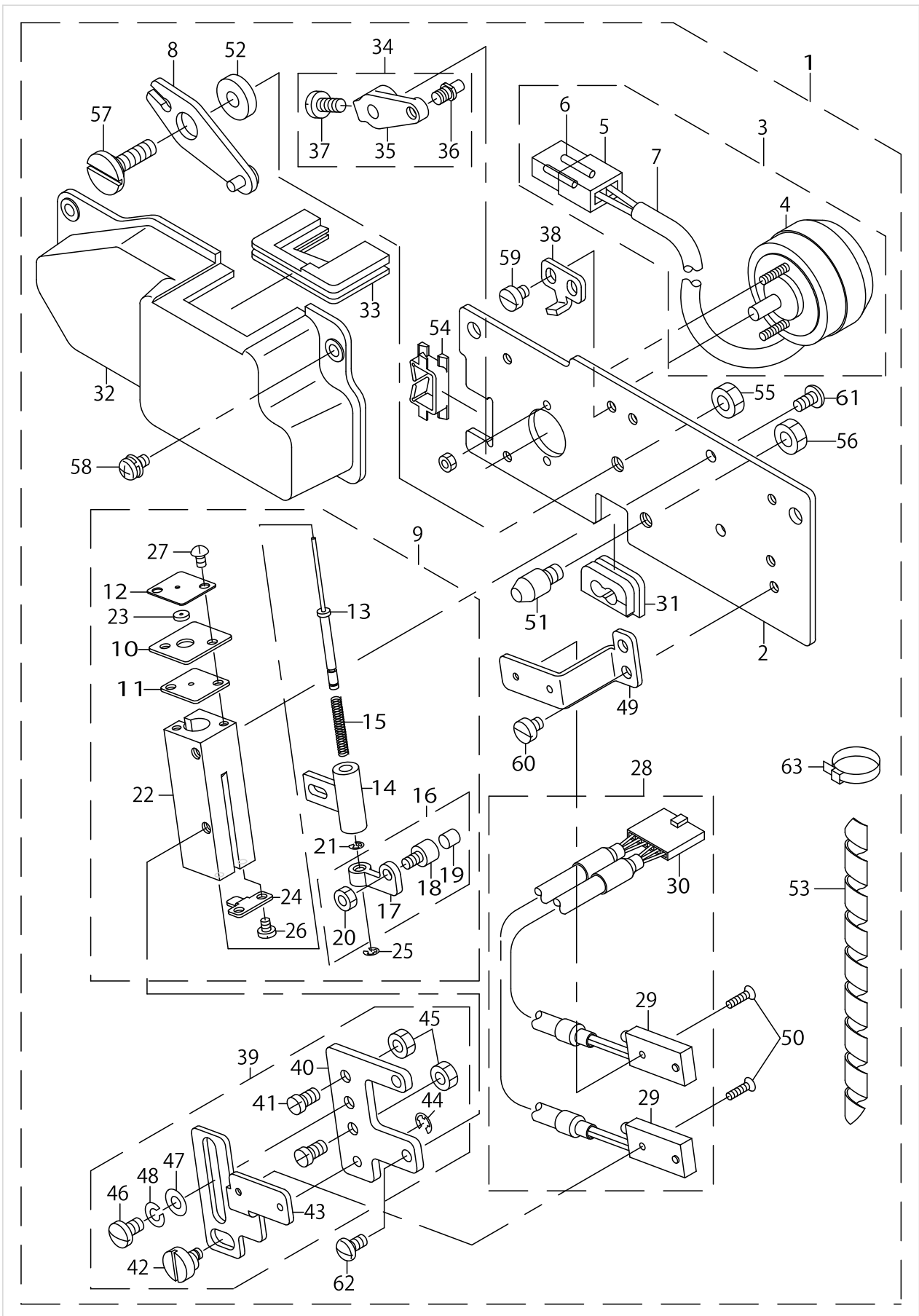
PARTS LIST

Published:05/12/2017

CONTENTS

COMPONENTS	1
ACCESSORIES	5
HOW TO MAKE USE OF THIS PARTS LIST	7

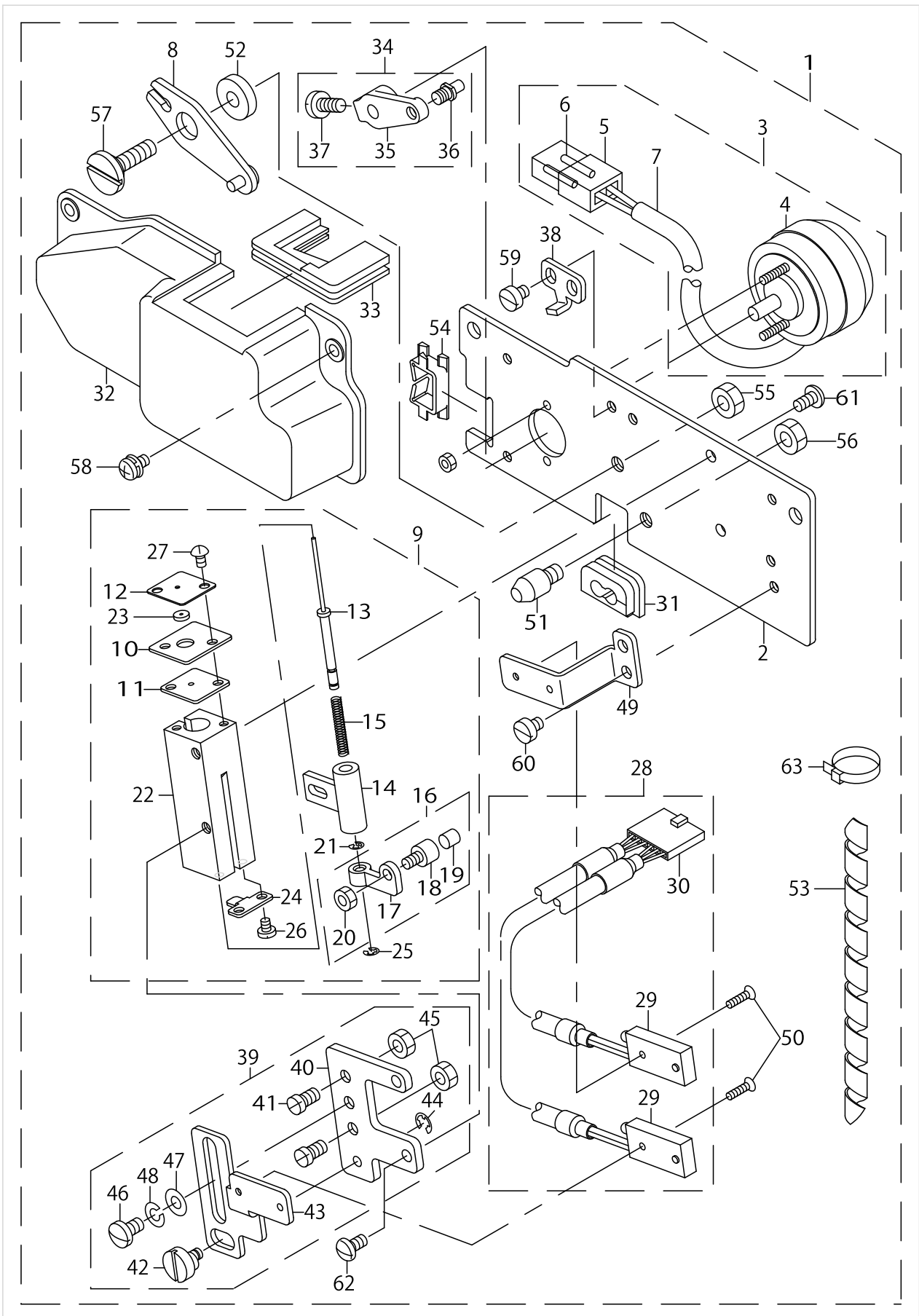
COMPONENTS



COMPONENTS

No.	Supply Code	Parts No.	Replacement	Parts name	Remarks	Choice	Step	Level	Cons	Qty	Rep. QTY
1		GAE040100A0		DRIVING EQUIPMENT ASM.						1	
2		GAE04010000		BASE PLATE				*		1	
3		GAE040110A0		DRIVING SOLENOID ASM.				*		1	
4	R	GAE04011000	GAE040110A0	ROTALY SOLENOID				*		1	1.00
5		HK034620020		2P PLUG				*		1	
6		HK034630000		TERMINAL				*		2	
7		E8760452H00		TUBE				*		0.8	
8	D	GAE040140A0		DRIVING LINK ASM.				*		1	
9		GAE040260A0		DETECTING ROD GUIDE ASM.				*		1	
10		GAE04019000		DETECTING ROD FELT GUIDE				*		1	
11		GAE04027000		DETECTING ROD GUIDE PLATE				*		1	
12		GAE04029000		DETECTING ROD COVER				*		1	
13		GAE03020000		DETECTING ROD				*		1	
14		GAE03021000		DETECTING ROD HOLDER				*		1	
15		GAE03022000		DETECTING ROD SPRING				*		1	
16	D	GAE030230A0		MAGNET ASM.				*		1	
17		GAE03023000		MAGNET PLATE				*		1	
18		GAE03024000		MAGNET BASE				*		1	
19		MAL01129000		MAGNET				*		1	
20	D	NM6030001MZ		NUT M3X0.5				*		1	
21		GAE03025000		E RING				*		1	
22		GAE03026000		DETECTING ROD GUIDE				*		1	
23		GAE03028000		DETECTING ROD FELT				*		1	
24	D	GAE03036000		DETECTING ROD STOPPER				*		1	
25		RE0150000K0		SNAP RING 1.5				*		1	
26		SS7060310SP		SCREW 3/32-56 L=3				*		2	
27		SS3060410SP		SCREW 3/32-56 L=4				*		2	
28		GAE040330B0		SENSOR COMPL.				*		1	
29		GAE040330A0		SENSOR ASM.				*		2	
30		HK049210060		HOUSING				*		1	
31	D	GAE04037000		SENSOR CORD BUSH				*		1	
32		GAE04038000		DRIVING EQUIPMENT COVER				*		1	
33		GAE04039000		RUBBER CUSHION				*		1	
34	D	GAE030120A0		SOLENOID ARM ASM.				*		1	
35		GAE03012000		SOLENOID ARM				*		1	
36		GAE03013000		SOLENOID ARM PIN				*		1	
37		SS6090810SP		SCREW 9/64-40 L=7.5				*		1	
38		GAE03018000		DRIVING LINK STOPPER A				*		1	
39	D	GAE030300A0		SENSOR ADJUSTING PLATE ASM.				*		1	
40		GAE03030000		SENSOR ADJUSTING PLATE				*		1	
41	D	GAE03031000		SLIDE PIN				*		2	
42		GAE03032000		ECCENTRIC PIN				*		1	
43		GAE03034000		SENSOR INSTALLING PLATE A				*		1	
44		RE0200000K0		E-RING				*		1	
45		NS6090310SP		NUT 9/64-40				*		2	
46		SS7090610SP		SCREW 9/64-40 L=6				*		1	

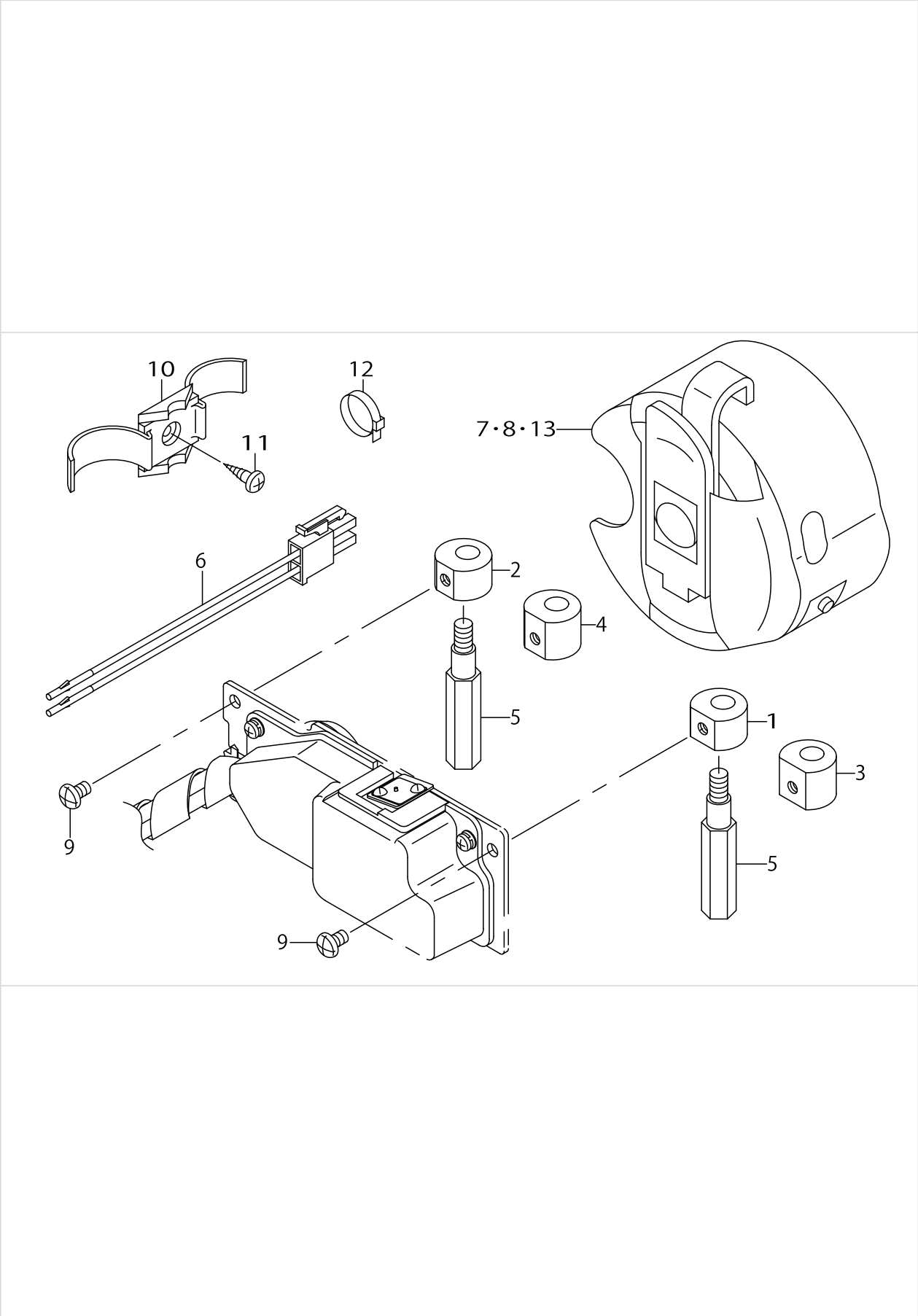
COMPONENTS



COMPONENTS

No.	Supply Code	Parts No.	Replacement	Parts name	Remarks	Choice	Step	Level	Cons	Qty	Rep. QTY
47		WP0370316SD		WASHER 3.7X8X0.3				*		1	
48		WS0410002KP		SPRING WASHER				*		1	
49		GAE03035000		SENSOR INSTALLING PLATE B				*		1	
50		10621803		MOUNTING SCREW				*		2	
51	R	B1157781000	40008996	GUIDE PIN				*		1	1.00
52		MAO91003000		BSW PRESSER PLATE WASHER				*		1	
53		HX001890000		SPIRAL TUBE				*		0.1	
54		HX00285000A		CORD HOLDER				*		1	
55		NS6110420SP		NUT 11/64-40				*		1	
56		NS6110420SP		NUT 11/64-40				*		1	
57		SD0790204SP		HINGE SCREW D= 7.94 H= 2				*		1	
58		SL4030681SC		SCREW M3 L=6				*		3	
59		SS6080410SP		SCREW 1/8-44 L=4				*		2	
60		SS6080410SP		SCREW 1/8-44 L=4				*		2	
61	R	SS4080610SP	SS4080620TP	SCREW 1/8-44 L=6.4				*		2	1.00
62	R	SS4080610SP	SS4080620TP	SCREW 1/8-44 L=6.4				*		2	1.00
63		EA9500B0100		CABLE BAND				*		1	

ACCESSORIES



ACCESSORIES

No.	Supply Code	Parts No.	Replacement	Parts name	Remarks	Choice	Step	Level	Cons	Qty	Rep. QTY
1		GAE03040000		BASE PLATE	FOR AE-4					1	
2		GAE03041000		STATOR B LEFT	FOR AE-4					1	
3	D	GAE0304000A		STATOR A RIGHT	FOR AE-5					1	
4	D	GAE0304100A		STATOR B LEFT	FOR AE-5					1	
5		GAE03042000		BED SCREW STUD						2	
6		GAE040430A0		SOLENOID CORD ASM.						1	
7		GAE030450A0		BOBBIN CASE	FOR AE-4					1	
8		GAE030460A0		BOBBIN CASE	FOR AE-5					1	
9		SS4110715SP		SCREW 11/64-40 L=7						2	
10	D	HX002450000		CABLE CLAMP						1	
11		SK3381601SC		WOOD SCREW D=3.8 L=16						1	
12		EA9500B0100		CABLE BAND						1	
13		GAE030800A0		BOBBIN CASE	SPECIAL ORDER PART					1	

HOW TO MAKE USE OF THIS PARTS LIST

1.As to "#01" and "#02" refer to the "Note" given at the bottom of the respective pages.

2.Codes on the "Qty" column

- Each numeral indicates the number of parts required.
- "0.1" and "2.5" indicate the length (in meters) of the respective parts.

3.Parentheses mean that the corresponding part is a subpart that constructs an assembly part.

4.Dotted lines on the Figures indicate assembly parts.

1. リストページの# 0 1、# 0 2の印は、ページ下の"注記"の説明を参照下さい。
2. 数量欄の数字は、個数を表し、0. 1、2. 5等の数値は、長さ（単位メートル）を表します。
3. 数量欄の（ ）は、組部品を構成している子部品であることを意味します。
4. イラストページの-----枠は、組構成であることを意味します。

NUMERICAL INDEX OF PARTS

PART NO	PAGE	REF NO.	PART NO	PAGE	REF NO.
10621803	4	50	GAE04038000	2	32
B1157781000	4	51	GAE04039000	2	33
E8760452H00	2	7	GAE040430A0	6	6
EA9500B0100	4	63	HK034620020	2	5
EA9500B0100	6	12	HK034630000	2	6
GAE03012000	2	35	HK049210060	2	30
GAE030120A0	2	34	HX001890000	4	53
GAE03013000	2	36	HX002450000	6	10
GAE03018000	2	38	HX00285000A	4	54
GAE03020000	2	13	MAL01129000	2	19
GAE03021000	2	14	MAO91003000	4	52
GAE03022000	2	15	NM6030001MZ	2	20
GAE03023000	2	17	NS6090310SP	2	45
GAE030230A0	2	16	NS6110420SP	4	56
GAE03024000	2	18	RE0150000K0	2	25
GAE03025000	2	21	RE0200000K0	2	44
GAE03026000	2	22	SD0790204SP	4	57
GAE03028000	2	23	SK3381601SC	6	11
GAE03030000	2	40	SL4030681SC	4	58
GAE030300A0	2	39	SS3060410SP	2	27
GAE03031000	2	41	SS4080610SP	4	62
GAE03032000	2	42	SS4110715SP	6	9
GAE03034000	2	43	SS6080410SP	4	60
GAE03035000	4	49	SS6090810SP	2	37
GAE03036000	2	24	SS7060310SP	2	26
GAE03040000	6	1	SS7090610SP	2	46
GAE0304000A	6	3	WP0370316SD	4	47
GAE03041000	6	2	WS0410002KP	4	48
GAE0304100A	6	4			
GAE03042000	6	5			
GAE030450A0	6	7·8·13			
GAE030460A0	6	7·8·13			
GAE030800A0	6	7·8·13			
GAE04010000	2	2			
GAE040100A0	2	1			
GAE04011000	2	4			
GAE040110A0	2	3			
GAE040140A0	2	8			
GAE04019000	2	10			
GAE040260A0	2	9			
GAE04027000	2	11			
GAE04029000	2	12			
GAE040330A0	2	29			
GAE040330B0	2	28			
GAE04037000	2	31			