

MODEL : L121/L124

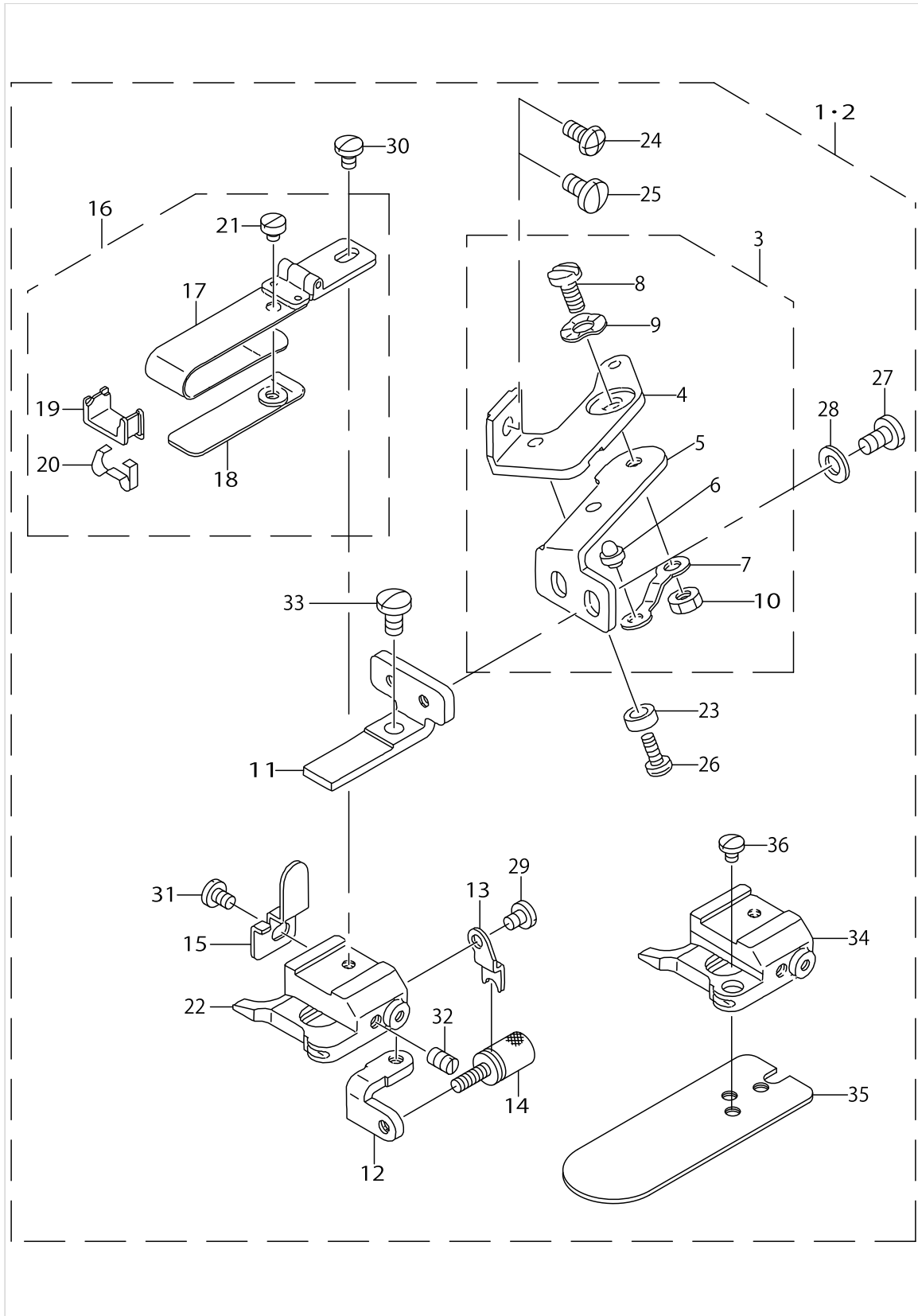
List No : 0855-02

PARTS LIST

Published:05/12/2017

CONTENTS

L121·L124.....	1
HOW TO MAKE USE OF THIS PARTS LIST	3



L121·L124

No.	Supply Code	Parts No.	Replacement	Parts name	Remarks	Choice	Step	Level	Cons	Qty	Rep. QTY
1		MAL121000A0		SKIRT DRAGGING COMPL.	FOR L121					1	
2		MAL124000A0		SKIRT DRAGGING COMPL.	FOR L124					1	
3	D	MAL121010A0		FITTING BASIS ASM.				*		1	
4		MAL12101000		FITTING BASIS				*		1	
5		MAL12102000		ARM FIXING PLATE				*		1	
6		MAL12115000		ARM FIXING PLATE STOPPER				*		1	
7		MAL12116000		FIXING PLATE STOPPER SPRING				*		1	
8		SD0600271SP		HINGE SCREW D= 6 H= 2.7				*		1	
9		WZ0641510KP		WAVED WASHER 6.4X11X0.3				*		1	
10		NS6110420SP		NUT 11/64-40				*		1	
11		MAL12103000		SLID ARM				*		1	
12		MAL12105000		SLIDE STOPPER PLATE				*		1	
13		MAL12107000		ADJUSTING SPRING SUPPORT PLATE				*		1	
14		MAL12108000		ADJUSTING SPRING				*		1	
15		MAL12109000		HEMMING PLATE STOPPER				*		1	
16	D	MAL121110B0		HEMMING PLATE COMPL.				*		1	
17		MAL121110A0		HEMMING PLATE COMPL.				*		1	
18	D	MAL121130A0		ADJUSTING PLATE COMPL.				*		1	
19	D	MAL01326000		CLOTH GUIDE				*		1	
20	D	MAL01327000		CLOTH GUIDE SPRING				*		1	
21		SS6080320SP		SCREW 1/8-44 L= 2.5				*		1	
22		MAL121140A0		SKIRT DRAGGING BASE ASM.	FOR L121			*		1	
23	D	B2739761000		WASHER				*		1	
24		SM5040855SN		SCREW	FOR MO-3300/L121			*		1	
25		SS7110840SP		SCREW 11/64-40 L=7.8	FOR MO(R-)-3900,370- 0,3600/L121 FOR MOC-- 3900/L124			*		1	
26		SS4110615SP		SCREW 11/64-40 L=6				*		1	
27		SS7110840SP		SCREW 11/64-40 L=7.8				*		2	
28		WP0501016SD		WASHER 5X10.5X1				*		2	
29		SS7090510SP		SCREW 9/64-40 L= 4.6				*		1	
30		SS7090540TP		SCREW 9/64-40 L=5				*		1	
31		SS7090540TP		SCREW 9/64-40 L=5				*		1	
32		SS8110710SP		SCREW 11/64-40 L=6.5				*		1	
33		SS7110840SP		SCREW 11/64-40 L=7.8				*		1	
34		MAL124010A0		SKIRT DRAGGING BASE ASM.	FOR L124			*		1	
35		MAL12402000		CLOTH GUIDE	FOR L124			*		1	
36		SS7080410SP		SCREW 1/8-44 L= 3.8	FOR L124			*		1	

HOW TO MAKE USE OF THIS PARTS LIST

1.As to "#01" and "#02" refer to the "Note" given at the bottom of the respective pages.

2.Codes on the "Qty" column

- Each numeral indicates the number of parts required.
- "0.1" and "2.5" indicate the length (in meters) of the respective parts.

3.Parentheses mean that the corresponding part is a subpart that constructs an assembly part.

4.Dotted lines on the Figures indicate assembly parts.

1. リストページの# 0 1、# 0 2の印は、ページ下の"注記"の説明を参照下さい。
2. 数量欄の数字は、個数を表し、0. 1、2. 5等の数値は、長さ（単位メートル）を表します。
3. 数量欄の（ ）は、組部品を構成している子部品であることを意味します。
4. イラストページの-----枠は、組構成であることを意味します。

NUMERICAL INDEX OF PARTS

PART NO	PAGE	REF NO.
B2739761000	2	23
MAL01326000	2	19
MAL01327000	2	20
MAL121000A0	2	1·2
MAL12101000	2	4
MAL121010A0	2	3
MAL12102000	2	5
MAL12103000	2	11
MAL12105000	2	12
MAL12107000	2	13
MAL12108000	2	14
MAL12109000	2	15
MAL121110A0	2	17
MAL121110B0	2	16
MAL121130A0	2	18
MAL121140A0	2	22
MAL12115000	2	6
MAL12116000	2	7
MAL124000A0	2	1·2
MAL124010A0	2	34
MAL12402000	2	35
NS6110420SP	2	10
SD0600271SP	2	8
SM5040855SN	2	24
SS4110615SP	2	26
SS6080320SP	2	21
SS7080410SP	2	36
SS7090510SP	2	29
SS7090540TP	2	31
SS7110840SP	2	33
SS8110710SP	2	32
WP0501016SD	2	28
WZ0641510KP	2	9