

MODEL : T041

List No : 0860-04

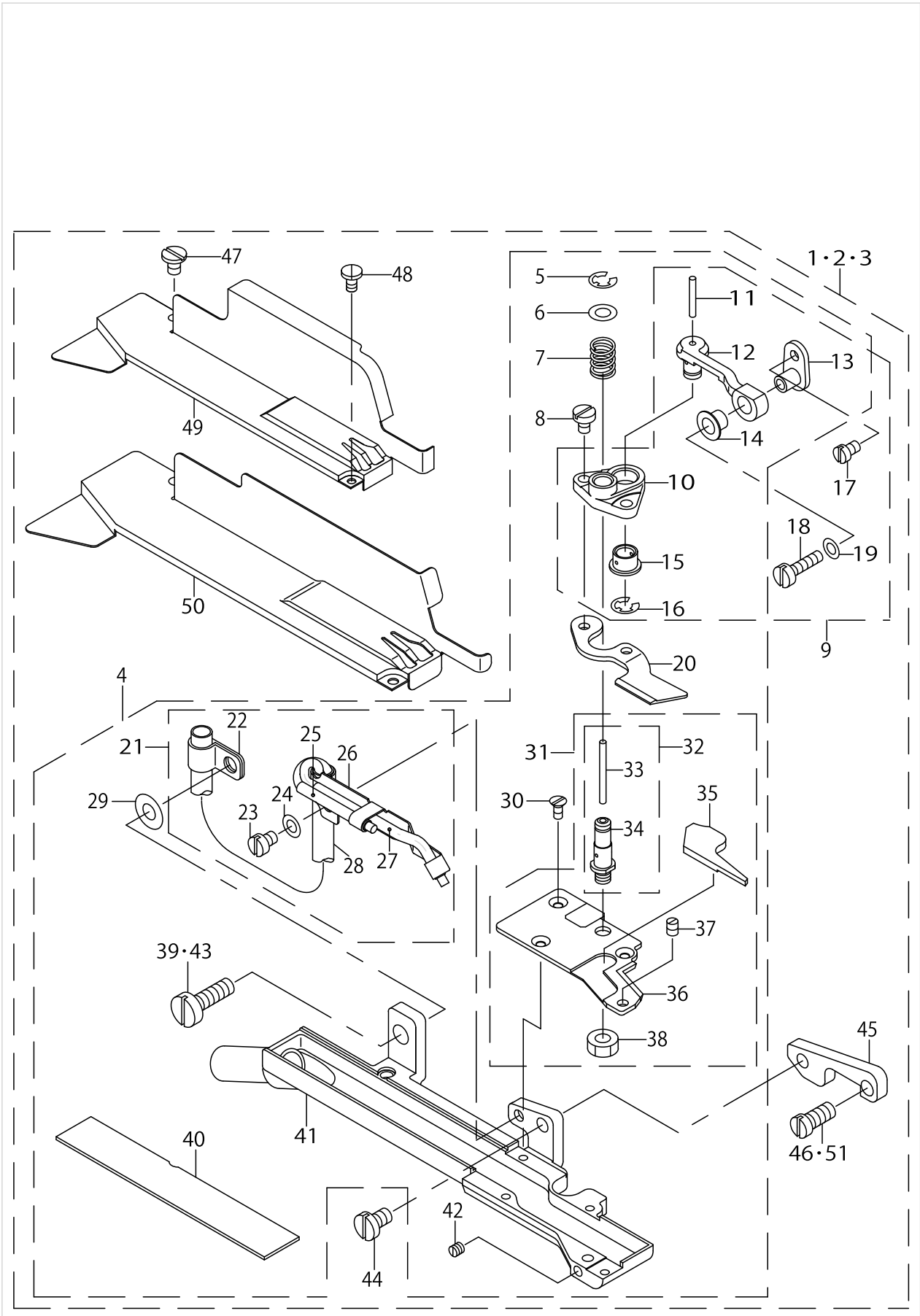
PARTS LIST

Published:05/12/2017

CONTENTS

| | |
|--|---|
| PNEUMATIC FLAT CUTTER (T041) | 1 |
| HOW TO MAKE USE OF THIS PARTS LIST | 5 |

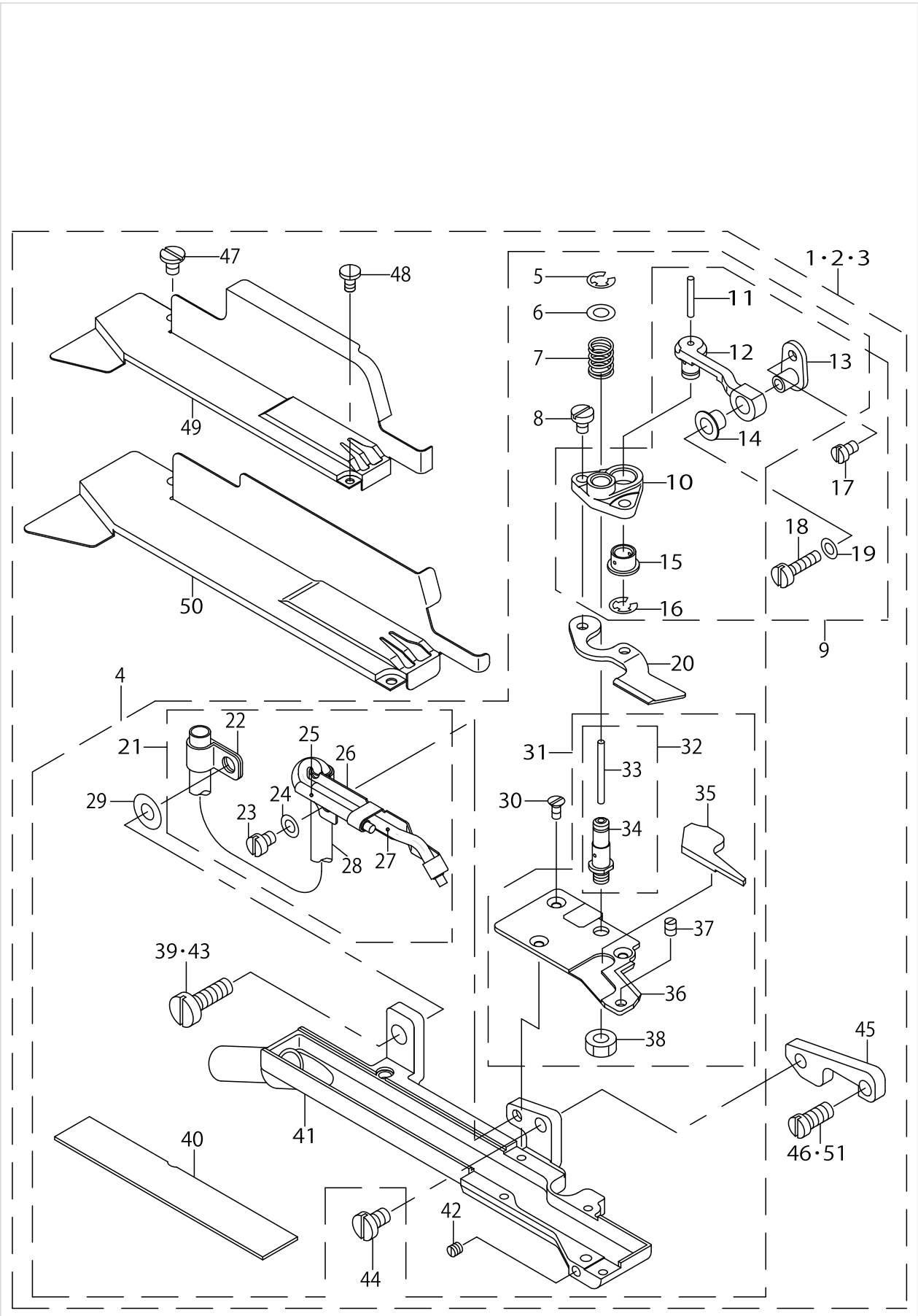
PNEUMATIC FLAT CUTTER (T041)



PNEUMATIC FLAT CUTTER (T041)

| No. | Supply Code | Parts No. | Replacement | Parts name | Remarks | Choice | Step | Level | Cons | Qty | Rep. QTY |
|-----|-------------|--------------|-------------|----------------------------|----------------------------|--------|------|-------|------|-----|----------|
| 1 | | MAT041000A0A | | PNEUMATIC FLAT CUTTER ASM. | | | | | | 1 | |
| 2 | | MAT041000AB | | PNEUMATIC FLAT CUTTER ASM. | FOR MOR-- 3900.MO-6900R | | | | | 1 | |
| 3 | | MAT041000AC | | PNEUMATIC FLAT CUTTER ASM. | FOR MO-3300 | | | | | 1 | |
| 4 | | MAT041030B0 | | KNIFE PLATE ASM. | | | | * | | 1 | |
| 5 | | RE0300000K0 | | E-RING 3 | | | | * | | 1 | |
| 6 | | WP0450000SD | | WASHER 4.5X8X0.5 | | | | * | | 1 | |
| 7 | | MAT03509000 | | SPRING | | | | * | | 1 | |
| 8 | | SS7080510TP | | SCREW 1/8-44 L=4.5 | | | | * | | 2 | |
| 9 | | MAT035080A0 | | MOVING KNIFE BRACKET ASM. | | | | * | | 1 | |
| 10 | | MAT03508000 | | MOVING KNIFE BRACKET | | | | * | | 1 | |
| 11 | | CQ202000000 | | OIL WICK | | | | * | | 0.1 | |
| 12 | | MAT03511000 | | KNIFE DRIVING RINK | | | | * | | 1 | |
| 13 | | MAT03512000 | | KNIFE DRIVING RINK BRACKET | | | | * | | 1 | |
| 14 | | MAT03510000 | | KNIFE DRIVING RINK PIECE | | | | * | | 1 | |
| 15 | | MAT03510000 | | KNIFE DRIVING RINK PIECE | | | | * | | 1 | |
| 16 | | RE0400000K0 | | E-RING 4 | | | | * | | 1 | |
| 17 | | SS7080520SP | | SCREW 1/8-44 L=4.9 | | | | * | | 1 | |
| 18 | | SS7081310SP | | SCREW 1/8-44 L=12.5 | | | | * | | 1 | |
| 19 | | WP0371016SD | | WASHER 3.7X8X1 | | | | * | | 1 | |
| 20 | | MAT03506000 | | MOVING KNIFE | | | | * | | 1 | |
| 21 | | MAT041040A0 | | OIL TUBE ASM. | | | | * | | 1 | |
| 22 | | MAT03516000 | | OIL TUBE HOLDER | | | | * | | 1 | |
| 23 | | SS7090520TP | | SCREW 9/64-40 L=4.5 | | | | * | | 1 | |
| 24 | | WP0371016SD | | WASHER 3.7X8X1 | | | | * | | 1 | |
| 25 | | MAT035140A0 | | OIL TUBE ASM. | | | | * | | 1 | |
| 26 | | MAT04104000 | | OIL TUBE HOLDER | | | | * | | 1 | |
| 27 | | MAT035150A0 | | OIL TUBE ASM. | | | | * | | 1 | |
| 28 | | BP400000000 | | VINYL TUBE, WHITE D=4 | | | | * | | 0.1 | |
| 29 | | WP0502616SD | | WASHER | | | | * | | 1 | |
| 30 | | SS1060610SP | | SCREW 3/32-56 L=5.5 | | | | * | | 3 | |
| 31 | D | MAT035050A0 | | FIXED KNIFE ASM. | | | | * | | 1 | |
| 32 | | MAT035070A0 | | MOVING KNIFE SHAFT ASM. | | | | * | | 1 | |
| 33 | | CQ202000000 | | OIL WICK | | | | * | | 0.1 | |
| 34 | | MAT03507000 | | KNIFE BAR DRIVING SHAFT | | | | * | | 1 | |
| 35 | | MAT03517000 | | AIR LEAK STOPPER | | | | * | | 1 | |
| 36 | | MAT03505000 | | FIXED KNIFE | | | | * | | 1 | |
| 37 | | SS8080610SP | | SCREW 1/8-44 L=5.5 | | | | * | | 1 | |
| 38 | | NS6110310SP | | NUT 11/64-40 | | | | * | | 1 | |
| 39 | | SS7121410TP | | SCREW 3/16-28 L=14 | | | | * | | 1 | |
| 40 | | MAT03518000 | | KNIFE PLATE COVER | | | | * | | 1 | |
| 41 | R | MAT041030A0 | MAT041030B0 | KNIFE PLATE ASM. | | | | * | | 1 | 1.00 |
| 42 | | SS8080310TP | | SCREW 1/8-44 L=2.8 | | | | * | | 1 | |
| 43 | | SM4041655SP | | SCREW M4 L=16 | FOR MO-3300 | | | * | | 1 | |
| 44 | | SS7110840SP | | SCREW 11/64-40 L=7.8 | | | | * | | 1 | |
| 45 | | MAT04102000 | | KNIFE PLATE | | | | * | | 1 | |
| 46 | R | SS7120910SP | SS7120910TP | SCREW 3/16-28 L=9 | | | | * | | 1 | 1.00 |

PNEUMATIC FLAT CUTTER (T041)



PNEUMATIC FLAT CUTTER (T041)

| No. | Supply Code | Parts No. | Replacement | Parts name | Remarks | Choice | Step | Level | Cons | Qty | Rep. QTY |
|-----|-------------|-------------|-------------|---------------------|---|--------|------|-------|------|-----|----------|
| 47 | | SS6090520SP | | SCREW 9/64-40 L=5.0 | | | | * | | 1 | |
| 48 | | SS7060310SP | | SCREW 3/32-56 L=3 | | | | * | | 1 | |
| 49 | | MAT04101000 | | KNIFE PLATE COVER | | | | * | | 1 | |
| 50 | | MAT04105000 | | KNIFE PLATE COVER | FOR MOR-- 3900,MO-6- 900R,MO-3300 | | | * | | 1 | |
| 51 | | SM6040800SP | | SCREW | FOR MO-3300 | | | * | | 1 | |

HOW TO MAKE USE OF THIS PARTS LIST

1.As to "#01" and "#02" refer to the "Note" given at the bottom of the respective pages.

2.Codes on the "Qty" column

- Each numeral indicates the number of parts required.
- "0.1" and "2.5" indicate the length (in meters) of the respective parts.

3.Parentheses mean that the corresponding part is a subpart that constructs an assembly part.

4.Dotted lines on the Figures indicate assembly parts.

1. リストページの# 0 1、# 0 2の印は、ページ下の"注記"の説明を参照下さい。
2. 数量欄の数字は、個数を表し、0. 1、2. 5等の数値は、長さ（単位メートル）を表します。
3. 数量欄の（ ）は、組部品を構成している子部品であることを意味します。
4. イラストページの-----枠は、組構成であることを意味します。

NUMERICAL INDEX OF PARTS

| PART NO | PAGE | REF NO. | PART NO | PAGE | REF NO. |
|--------------|------|---------|-------------|------|---------|
| BP400000000 | 2 | 28 | WP0371016SD | 2 | 24 |
| CQ202000000 | 2 | 33 | WP0450000SD | 2 | 6 |
| MAT03505000 | 2 | 36 | WP0502616SD | 2 | 29 |
| MAT035050A0 | 2 | 31 | | | |
| MAT03506000 | 2 | 20 | | | |
| MAT03507000 | 2 | 34 | | | |
| MAT035070A0 | 2 | 32 | | | |
| MAT03508000 | 2 | 10 | | | |
| MAT035080A0 | 2 | 9 | | | |
| MAT03509000 | 2 | 7 | | | |
| MAT03510000 | 2 | 15 | | | |
| MAT03511000 | 2 | 12 | | | |
| MAT03512000 | 2 | 13 | | | |
| MAT035140A0 | 2 | 25 | | | |
| MAT035150A0 | 2 | 27 | | | |
| MAT03516000 | 2 | 22 | | | |
| MAT03517000 | 2 | 35 | | | |
| MAT03518000 | 2 | 40 | | | |
| MAT041000A0A | 2 | 1·2·3 | | | |
| MAT041000AB | 2 | 1·2·3 | | | |
| MAT041000AC | 2 | 1·2·3 | | | |
| MAT04101000 | 4 | 49 | | | |
| MAT04102000 | 2 | 45 | | | |
| MAT041030A0 | 2 | 41 | | | |
| MAT041030B0 | 2 | 4 | | | |
| MAT04104000 | 2 | 26 | | | |
| MAT041040A0 | 2 | 21 | | | |
| MAT04105000 | 4 | 50 | | | |
| NS6110310SP | 2 | 38 | | | |
| RE0300000K0 | 2 | 5 | | | |
| RE0400000K0 | 2 | 16 | | | |
| SM4041655SP | 2 | 39·43 | | | |
| SM6040800SP | 4 | 46·51 | | | |
| SS1060610SP | 2 | 30 | | | |
| SS6090520SP | 4 | 47 | | | |
| SS7060310SP | 4 | 48 | | | |
| SS7080510TP | 2 | 8 | | | |
| SS7080520SP | 2 | 17 | | | |
| SS7081310SP | 2 | 18 | | | |
| SS7090520TP | 2 | 23 | | | |
| SS7110840SP | 2 | 44 | | | |
| SS7120910SP | 2 | 46·51 | | | |
| SS7121410TP | 2 | 39·43 | | | |
| SS8080310TP | 2 | 42 | | | |
| SS8080610SP | 2 | 37 | | | |