

MODEL : AK-84/AK-85/AK-86/AK-87

List No : 0872-02

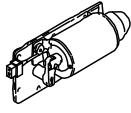
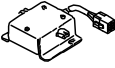
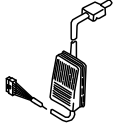
PARTS LIST

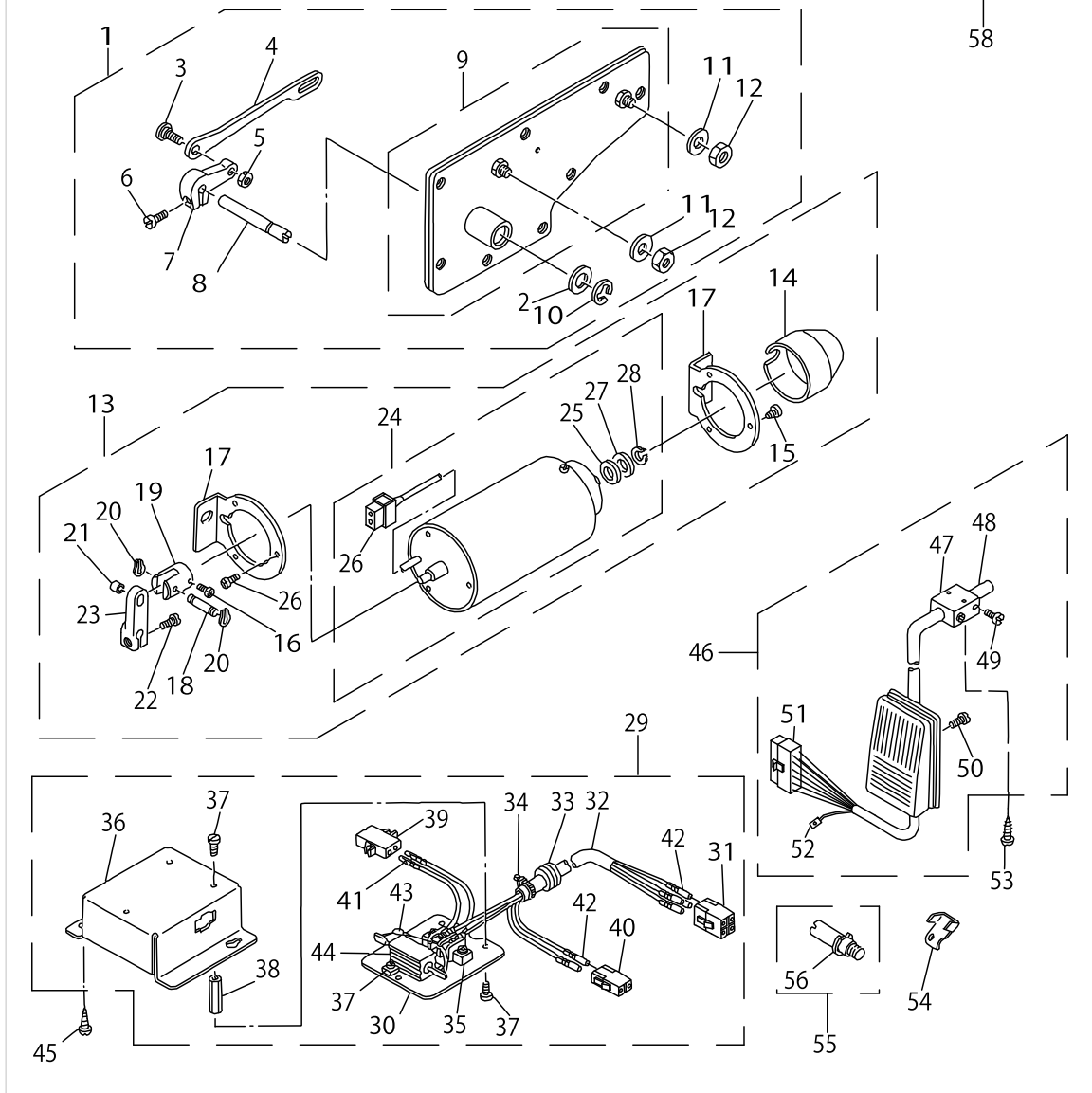
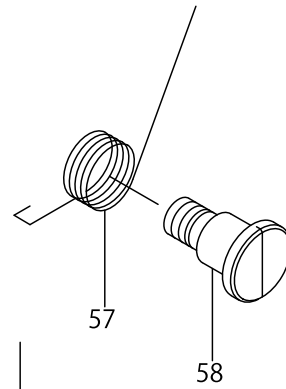
Published:05/12/2017

CONTENTS

AUTO-LIFTER (ON THE SIDE PLATE) COMPONENTS.....	1
HOW TO MAKE USE OF THIS PARTS LIST	5

AUTO-LIFTER (ON THE SIDE PLATE) COMPONENTS

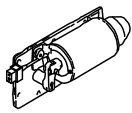

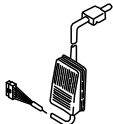
TABLE OF UNIT COMBINATIONS ユニット組合せ表			
			
AK- 84	○		○
AK- 85	○		
AK- 86	○	○	○
AK- 87	○	○	

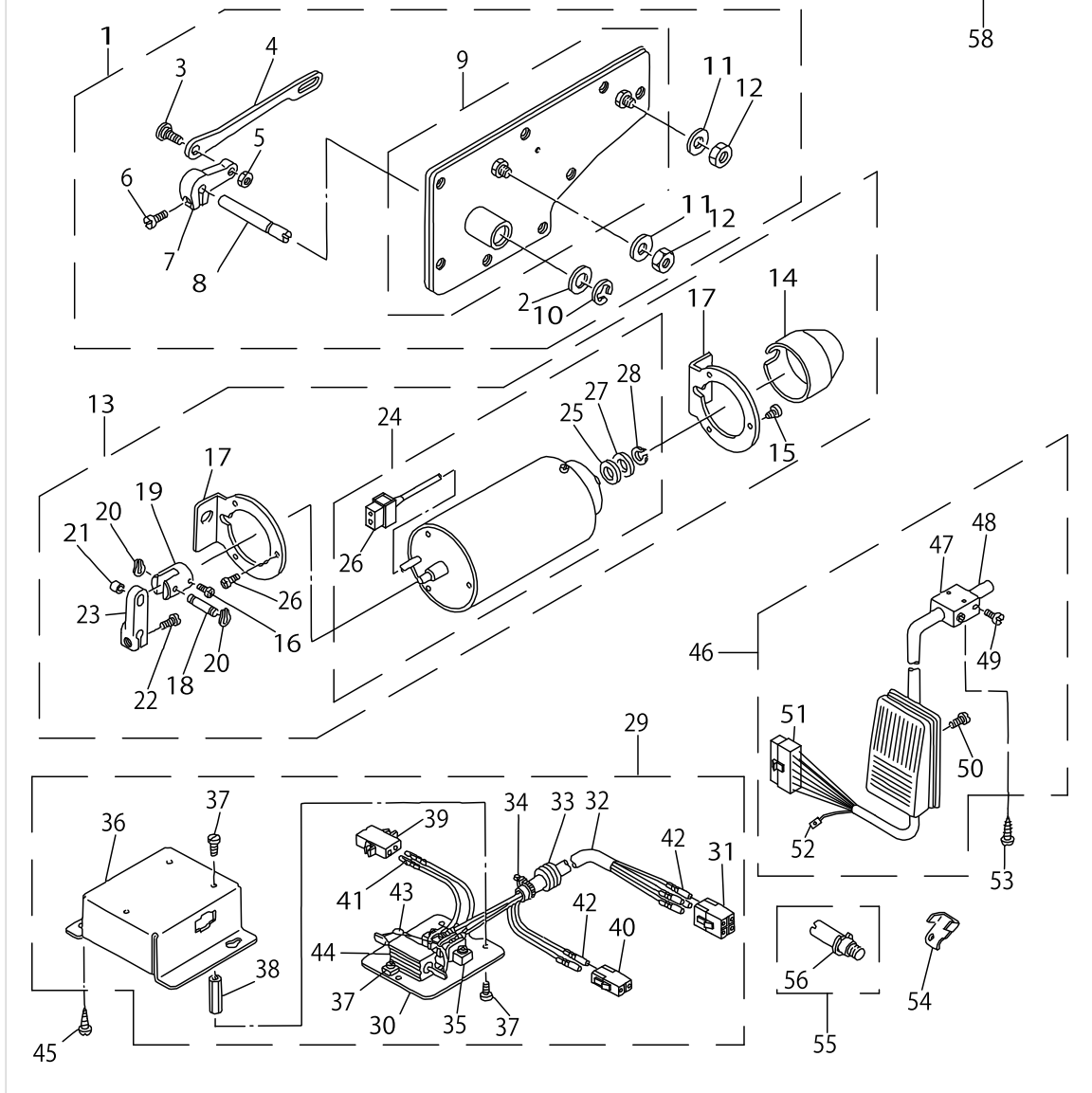
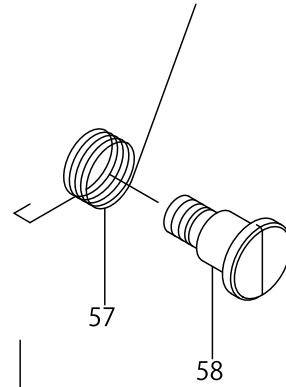


AUTO-LIFTER (ON THE SIDE PLATE) COMPONENTS

No.	Supply Code	Parts No.	Replacement	Parts name	Remarks	Choice	Step	Level	Cons	Qty	Rep. QTY
1		GAK330200BA		SIDE PLATE ASM. B						1	
2		WP1021016SD		WASHER				*		1	
3		SD0800352SP		HINGE SCREW D= 8 H= 3.5				*		1	
4	R	GAK33026000	22991301	SOLENOID LINK				*		1	1.00
5		NS6150310SP		NUT 15/64-28				*		1	
6		SS6121210SP		SCREW 3/16-28 L=12				*		1	
7		GAK33027000		SOLENOID ARM				*		1	
8	R	GAK33028000	22991400	SOLENOID SHAFT				*		1	1.00
9	R	GAK330200AA	GAK330200BA	SIDE PLATE ASM. A				*		1	1.00
10		RE0700000K0		E-RING 7				*		1	
11		WP0621036SP		WASHER				*		2	
12		NS6150440SP		NUT 15/64-28				*		2	
13	R	GAK840300BA	40101423	AK"SOLENOIDASM.B						1	1.00
14		GAK3303600A		SOLENOID COVER				*		1	
15		SS4120915SP		SCREW 3/16-28 L=9				*		6	
16		SS4110915SP		SCREW 11/64-40 L=9				*		1	
17		GAK3303400A		SOLENOID BASE				*		2	
18		GAK33012000		SOLENOID PIN				*		1	
19		GAK33035000		SOLENOID COLLAR				*		1	
20	R	GAK33014000	RE0400000KP	SNAP RING				*		2	1.00
21		GAK33013000		SOLENOID PIN COLLAR				*		1	
22		SS7121610SP		SCREW 3/16-28 L=15.5				*		1	
23		GAK33011000		SOLENOID ARM, A				*		1	
24	R	GAK840300AA	40101423	AK"SOLENOIDASM.A				*		1	1.00
25		GAK33031000		SOLENOIDRUBBER,A				*		1	
26		HK034610020		2-POLE NYLON PLUG				*		1	
27		WP1052000SC		WASHER 10.5X18X2				*		1	
28		RC0931011KP		RETAINING RING				*		1	
29	D	GAK860500A0		FLY BACK RESISTOR ASM.						1	
30	D	GAK33051000		RESISTOR BASE				*		1	
31		HK034610040		HOUSING				*		1	
32		HW5F18S1248		4-CORE CABTYRE CORD				*		0.7	
33	D	M1014110000		CORD BUSH B				*		1	
34		HX000430000		CLIP				*		1	
35		GAK01015000		2P TERMINAL BASE				*		1	
36		GAK86050000		RESISTOR COVER				*		1	
37	D	SM4030601SE		SCREW M3 L=6				*		8	
38	D	GAK33052000		STUD				*		3	
39		MAI15041000		NYLON RECEPTACLE 2P				*		1	
40		HK034620020		2P PLUG				*		1	
41		D6042555B00		PIN TERMINAL, FEMALE				*		2	
42		HK034630000		TERMINAL				*		6	
43		HG26740147P		DIODE IN5625				*		1	
44		HR003601000		RESISTOR 10 OHM 20W				*		1	
45	R	SK3412000SC	SK3412000SE	WOOD SCREW D=4.1 L=20						1	1.00
46		GAK840900B0		LIFTER KNEE SWITCH ASM. B						1	

AUTO-LIFTER (ON THE SIDE PLATE) COMPONENTS

TABLE OF UNIT COMBINATIONS ユニット組合せ表			
			
AK- 84	○		○
AK- 85	○		
AK- 86	○	○	○
AK- 87	○	○	



AUTO-LIFTER (ON THE SIDE PLATE) COMPONENTS

No.	Supply Code	Parts No.	Replacement	Parts name	Remarks	Choice	Step	Level	Cons	Qty	Rep. QTY
47		MAT80230T00		KNEE SWITCH SUPPORT BASE				*		2	
48		MAT80231T00		DRIVING BAR, T002				*		1	
49		SS6151220SP		SCREW 15/64-28 L=11.5				*		4	
50	R	SS7111410SP	SS7111410TP	SCREW 11/64-40 L=14				*		2	1.00
51		HK048910120		HOUSING				*		1	
52		HK049240000		PIN-SHAPE TERMINAL				*		2	
53	R	SK3514000SC	SK3514001SE	WOOD SCREW D=5.1 L=40						2	1.00
54		GAK33060000		CORD HOLDER						1	
55		GAK330400A0		SHAFT PIN ASM.						1	
56		RE0500000K0		E-RING				*		1	
57		GAK33042000		KNEE LIFTING LINK SPRING						1	
58		GAK33041000		KNEE LIFTING LINK STEP-SCREW						1	

HOW TO MAKE USE OF THIS PARTS LIST

1.As to "#01" and "#02" refer to the "Note" given at the bottom of the respective pages.

2.Codes on the "Qty" column

- Each numeral indicates the number of parts required.
- "0.1" and "2.5" indicate the length (in meters) of the respective parts.

3.Parentheses mean that the corresponding part is a subpart that constructs an assembly part.

4.Dotted lines on the Figures indicate assembly parts.

1. リストページの# 0 1、# 0 2の印は、ページ下の"注記"の説明を参照下さい。
2. 数量欄の数字は、個数を表し、0. 1、2. 5等の数値は、長さ（単位メートル）を表します。
3. 数量欄の（ ）は、組部品を構成している子部品であることを意味します。
4. イラストページの-----枠は、組構成であることを意味します。

NUMERICAL INDEX OF PARTS

PART NO	PAGE	REF NO.	PART NO	PAGE	REF NO.
D6042555B00	2	41	SD0800352SP	2	3
GAK01015000	2	35	SK3412000SC	2	45
GAK33011000	2	23	SK3514000SC	4	53
GAK33012000	2	18	SM4030601SE	2	37
GAK33013000	2	21	SS4110915SP	2	16
GAK33014000	2	20	SS4120915SP	2	15
GAK330200AA	2	9	SS6121210SP	2	6
GAK330200BA	2	1	SS6151220SP	4	49
GAK33026000	2	4	SS7111410SP	4	50
GAK33027000	2	7	SS7121610SP	2	22
GAK33028000	2	8	WP0621036SP	2	11
GAK33031000	2	25	WP1021016SD	2	2
GAK3303400A	2	17	WP1052000SC	2	27
GAK33035000	2	19			
GAK3303600A	2	14			
GAK330400A0	4	55			
GAK33041000	4	58			
GAK33042000	4	57			
GAK33051000	2	30			
GAK33052000	2	38			
GAK33060000	4	54			
GAK840300AA	2	24			
GAK840300BA	2	13			
GAK840900B0	2	46			
GAK86050000	2	36			
GAK860500A0	2	29			
HG26740147P	2	43			
HK034610020	2	26			
HK034610040	2	31			
HK034620020	2	40			
HK034630000	2	42			
HK048910120	4	51			
HK049240000	4	52			
HR003601000	2	44			
HW5F18S1248	2	32			
HX000430000	2	34			
M1014110000	2	33			
MAI15041000	2	39			
MAT80230T00	4	47			
MAT80231T00	4	48			
NS6150310SP	2	5			
NS6150440SP	2	12			
RC0931011KP	2	28			
RE0500000K0	4	56			
RE0700000K0	2	10			