

MODEL : T039

List No : 0859-05

# PARTS LIST

Published:05/12/2017

## CONTENTS

---

KNIFE & MAGNET COMPONENTS.....	1
CONTROL BOX COMPONENTS .....	5

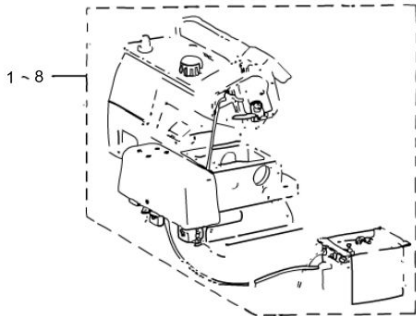
# KNIFE & MAGNET COMPONENTS

## 1. KNIFE & MAGNET COMPONENTS

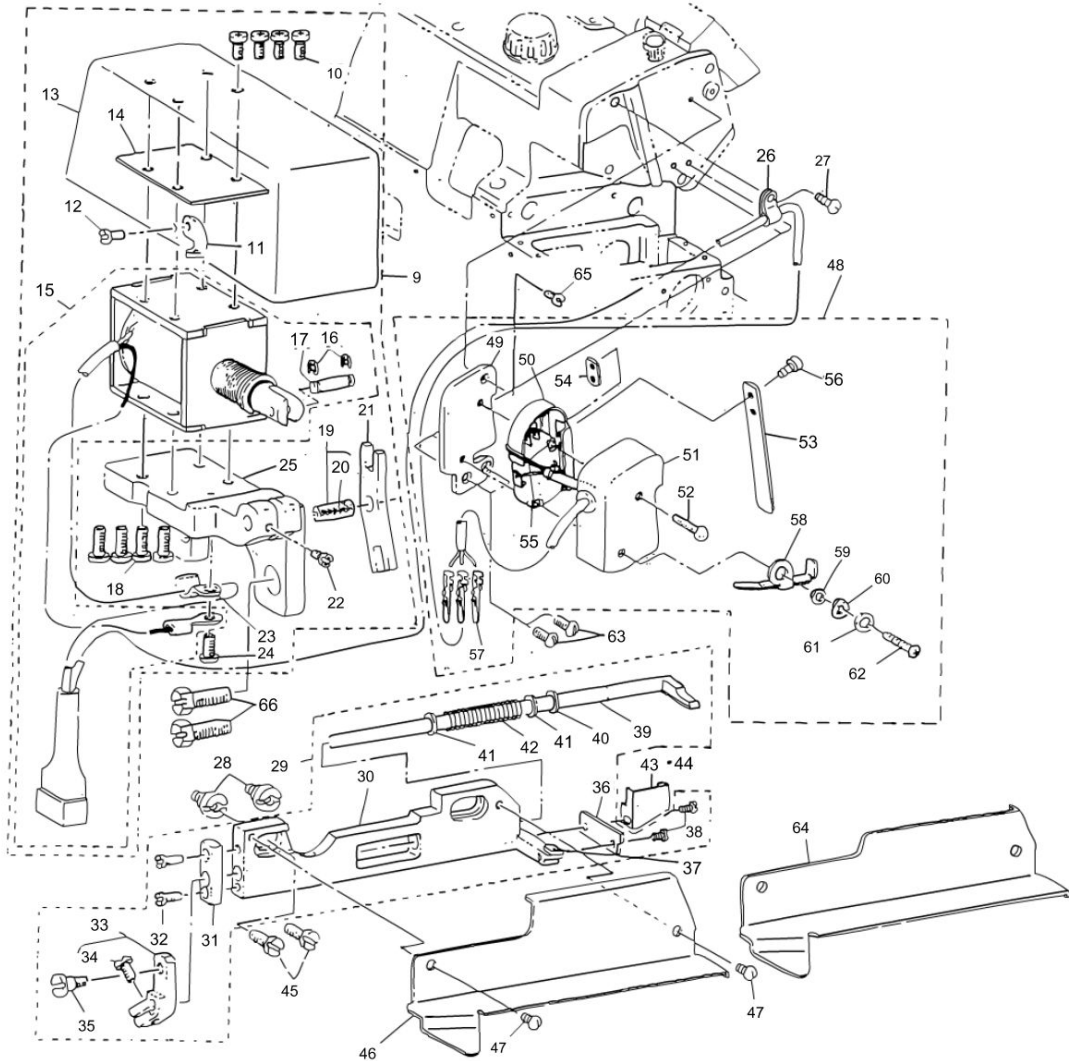
メス・マグネット関係

CHAIN-OFF THREAD CUTTER ASM. PART NO.

装置部品番



Ref. No.	Part No. 品番	100V	220V	Applicable models 適用機種
		115V 200V	240V 380V 415V 440V	
1	400-44155	○		MO-6A00S
2	400-44156		○	
3	400-44157	○		MO-6900R
4	400-44158		○	
5	400-44159	○		MO-6900G
6	400-44160		○	
7	400-44161	○		MO-6900J
8	400-44162		○	



KNIFE & MAGNET COMPONENTS

No.	Supply Code	Parts No.	Replacement	Parts name	Remarks	Choice	Step	Level	Cons	Qty	Rep. QTY
1		40044155		T039 A S						1	
2		40044156		T039 B S						1	
3		40044157		T039 A R						1	
4		40044158		T039 B R						1	
5		40044159		T039 A G						1	
6		40044160		T039 B G						1	
7		40044161		T039 A J						1	
8		40044162		T039 B J						1	
9		40042743		THREAD CUTTER MAGNET ASM.						1	
10		SM4040601SB		SCREW M4X0.7 L=6				*		4	
11		B2526704000		LOWER LOOPER THREAD GUIDE	FOR SAFE- TY STITCHER			*		1	
12	R	SS6090630SP	SS6090630TP	SCREW 9/64-40 L=6	FOR SAFE- TY STITCHER			*		1	1.00
13		MAT03219000A		MAGNET COVER				*		1	
14		MAT81132T00		MAGNET RUBBER COVER				*		1	
15		40042572		THREAD CUTTER MAGNET ASM.				*		1	
16		RE0300000K0		E-RING 3				*		2	
17		MAT80114T00		PLUNGER PIN				*		1	
18		SM4041001SN		SCREW M4X0.7 L=10				*		4	
19		B21160190A0		PIN ASM.				*		1	
20		CQ200000000		OIL WICK				*		0.2	
21		MAT00509000		KNIFEDRIVINGLEVER				*		1	
22		SS4090615SP		SCREW 9/64-40 L=6				*		1	
23		D2611555B0B		CABLE HOLDER B				*		1	
24		SS7090850SP		SCREW 9/64-40 L=8				*		1	
25		MAT03218000B		MAGNET WITH MOUNTING BASE				*		1	
26		G5066110000		CORD HOLDER						1	
27		SS3090710TP		SCREW 9/64-40 L=7						1	
28		MAT01601000B		KNIFE BASE SPACER SCREW						2	
29	R	MAT005020A0A	MAT005020B0A	KNIFE BASE COMPL.						1	1.00
30		MAT00502000A		KNIFE BASE				*		1	
31		MAT80102T00		KINFE DRIVING SHAFT BUSHING				*		1	
32	R	SS4080610SP	SS4080620TP	SCREW 1/8-44 L=6.4				*		2	1.00
33		MAT005060A0		KNIFE DRIVING ARM ASM.				*		1	
34		SS6090810SP		SCREW 9/64-40 L= 7.5				*		1	
35		SD0500481TP		HINGE SCREW D= 5 H= 4.8				*		1	
36		MAT00505000		KNIFE				*		1	
37		MAT81102T00A		KNIFE STOPPER				*		1	
38		SS3060410SP		SCREW 3/32-56 L=4				*		2	
39		MAT00504000A		DRIVING SHAFT				*		1	
40	R	MAT80106T00	RC0410415KP	SNAP RING				*		1	1.00
41		WP0510516SD		WASHER 5.1X7.5X0.5				*		2	
42		MAT80105T00		SPRING				*		1	
43		MAT01603000		SIDE COVER	FOR MO-6- Δ00S,MO-6900R					1	
44		MAT01603A00		SIDE COVER	FOR MO-6- 900G,MO-6900J					1	
45		SS6120940SP		SCREW 3/16-28 L=9						2	

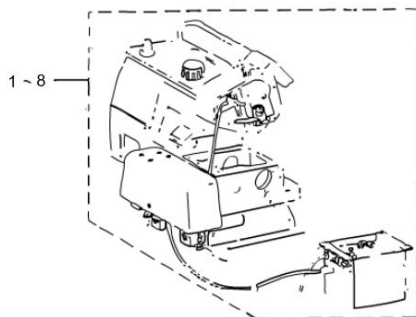
# KNIFE & MAGNET COMPONENTS

## 1. KNIFE & MAGNET COMPONENTS

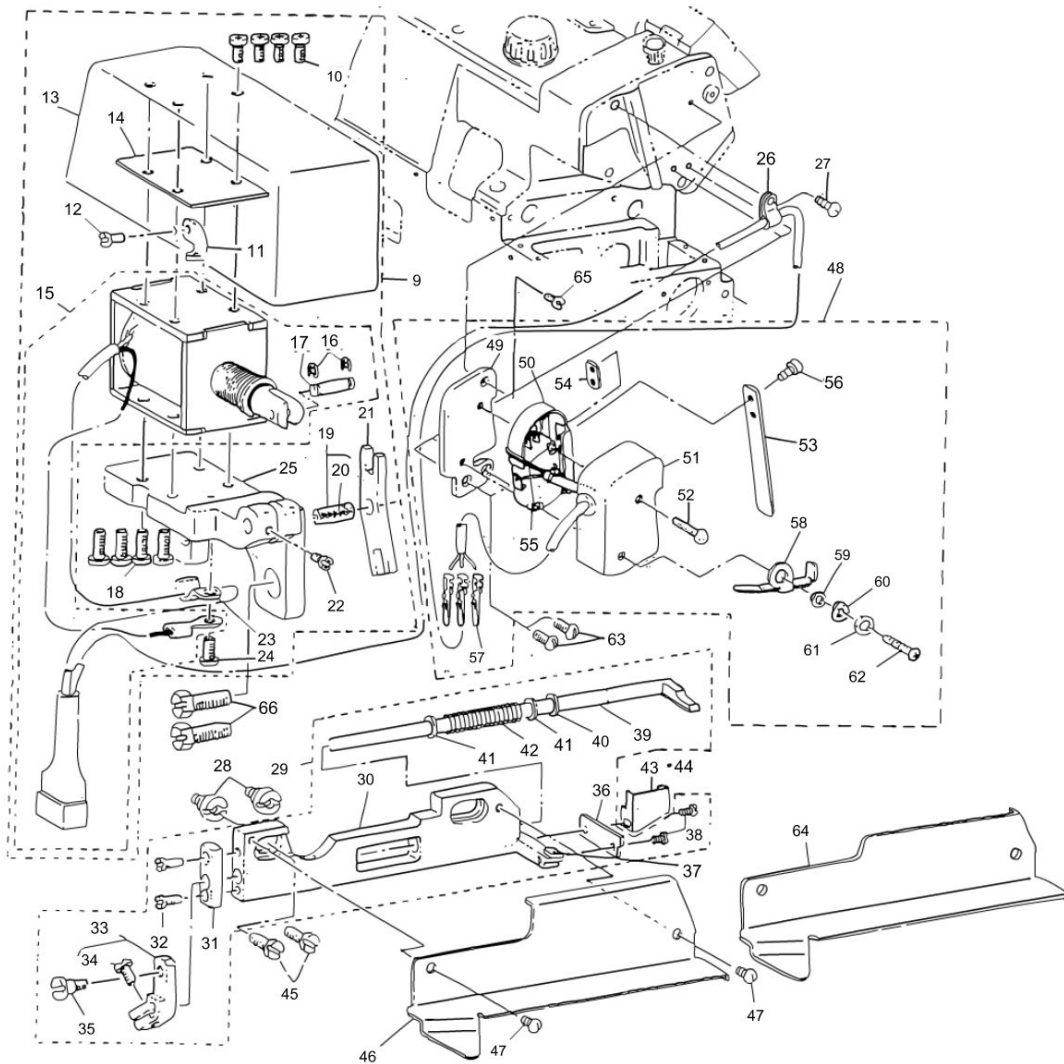
メス・マグネット関係

CHAIN-OFF THREAD CUTTER ASM. PART NO.

装置総品番



Ref. No.	Part No. 品番	100V	220V	Applicable models 適用機種
		115V 200V	240V 380V 415V 440V	
1	400-44155	○		MO-6A00S
2	400-44156		○	
3	400-44157	○		MO-6900R
4	400-44158		○	
5	400-44159	○		MO-6900G
6	400-44160		○	
7	400-44161	○		MO-6900J
8	400-44162		○	



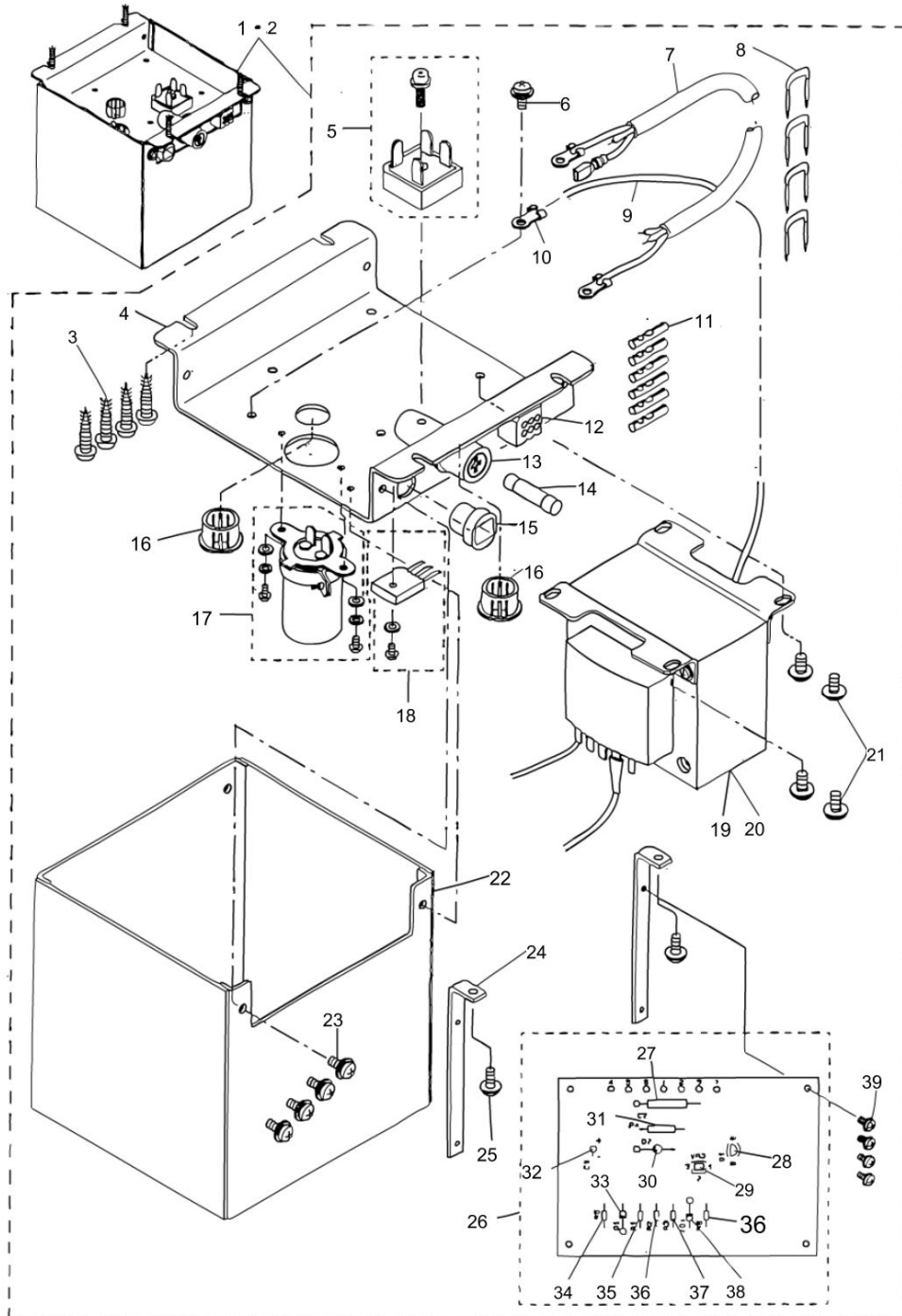
KNIFE & MAGNET COMPONENTS

No.	Supply Code	Parts No.	Replacement	Parts name	Remarks	Choice	Step	Level	Cons	Qty	Rep. QTY
46		MAT03901000		KNIFE BASE COVER	FOR MO-6- Δ00S,MO-6900G					1	
47		SS5090610SP		SCREW 9/64-40 L=6						2	
48		40042568		THREAD CUT SWITCH ASM.						1	
49		MAT01652000		SWITCH INSTALLING PLATE				*		1	
50		MAT01653000		SWITCH PUSH PLATE				*		1	
51		MAT03220000		SWITCH COVER				*		1	
52		SM4031401SC		SCREW M3X0.5 L=14				*		1	
53		MAT03902000		PUSH AUXILIARY PLATE				*		1	
54		MAT01663000		PUSH AUXILIARY REAR PLATE				*		1	
55		MAT80120T00		MICROSWITCH				*		1	
56		SM4860501SC		SCREW M2.6 L=5				*		2	
57		HK03464000B		PIN CONTACT				*		3	
58		MAT00614000		SWITCH STOPPER				*		1	
59		MAT00615000		STOPPER COLLAR				*		1	
60		WZ0541510KP		WAVED WASHER 5.4X9.0X0.3				*		1	
61		WP0330501SB		WASHER M3				*		1	
62		SM4031601SC		SCREW M3 L=16				*		1	
63		SS4090610SP		SCREW 9/64-40 L=6						2	
64		MAT03904000		KNIFE BASE COVER B	FOR MO-6- 900R,MO-6900J					1	
65		SS6090610SP		SCREW 9/64-40 L=5.5						1	
66		SS9151630CP		SCREW 15/64-28 L=15.5						2	

# CONTROL BOX COMPONENTS

## 2. CONTROL BOX COMPONENTS

コントロールボックス関係



CONTROL BOX COMPONENTS

No.	Supply Code	Parts No.	Replacement	Parts name	Remarks	Choice	Step	Level	Cons	Qty	Rep. QTY
1	D	MAT00601AAA		CONTROL BOX FINISHED GOODS	FOR 220V,- 380V,415V,440V					1	
2	D	MAT00601BAA		CONTROL BOX FINISHED GOODS B	FOR 100V,- 115V,200V,240V					1	
3	R	SK3482500SC	SK3482501SE	WOOD SCREW D=4.8 L=25				*		4	1.00
4		MAT00611000A		CONTROL BOX MOUNTING BASE				*		1	
5		M9636110000		DIODE BRIDGE				*		1	
6	D	SL4041091SF		SCREW M4X10				*		1	
7		MAT006050A0		POWER SOURCE CORD ASM.				*		1	
8		MAO11532000		CORD STAPLE				*		4	
9	D	E9561351000		GROUNDING CORD, GREEN YELLOW				*		0.5	
10		HP000700190		GROUND WIRE TERMINAL				*		1	
11		D6042555B00		PIN TERMINAL, FEMALE				*		6	
12	D	D6029555B0B		NYLON RECEPTACLE 6P				*		1	
13		HF000711500		FUSE HOLDER				*		1	
14		HF000201000		FUSE F-7161 10A				*		1	
15	D	HX000210000		CORD BUSHING				*		1	
16	D	MAT80148T00		RUBBER BUSHING TB1116				*		2	
17	D	HC010102220		CAPACITOR 2200MF 63V				*		1	
18		HT002570000		TRANSISTOR				*		1	
19	R	MAT00610000A	MAT00610A00A	TRANSFOMER, A	FOR 220V,- 380V,415V,440V			*		1	1.00
20		MAT00610B00A		TRANSFOMER, B	FOR 100V,- 115V,200V,240V			*		1	
21	R	SL4040891SE	SL4040891SC	SCREW				*		4	1.00
22		MAT00616000		CONTROL UNIT COVER				*		1	
23		SL4040881SF		SCREW M4 L=8				*		4	
24		MAT00612000		WIRE BOARD SUPPORT PLATE				*		2	
25		SL4030881SF		SCREW				*		2	
26	D	MAT006010A0		MCU PRINTED CIRCUIT BOARD ASM.				*		1	
27	D	HC010201010		CAPACITOR 100MF 63V				*		1	
28	D	HT001550000		TRANSISTOR 2SC1815				*		1	
29		E9603603000		VARIABLE RESISTOR 10K OHM				*		1	
30		HG000520000		DIODE 3BZ61				*		1	
31	D	HR004202020		RESISTOR 2K OHM 2W				*		1	
32		HC029801000		CAPACITOR 10MF				*		1	
33		HG26720112P		DIODE (V06C)				*		1	
34	D	HR001701010		RESISTOR 100 OHM 1/4W				*		1	
35	D	HR001701000		RESISTOR 10 OHM 1/4W				*		1	
36	R	HR001701030	HR00170103X	RESISTOR 10K OHM 1/4W				*		2	1.00
37		HR001701020		RESISTOR 1K OHM 1/4W				*		1	
38		HG005440000		ZENER DIODE				*		1	
39		SL4030641SE		SCREW				*		4	



NUMERICAL INDEX OF PARTS

PART NO	PAGE	REF NO.	PART NO	PAGE	REF NO.	PART NO	PAGE	REF NO.
40042568	4	48	MAT00509000	2	21	SS3060410SP	2	38
40042572	2	15	MAT006010A0	6	26	SS3090710TP	2	27
40042743	2	9	MAT00601AAA	6	1	SS4080610SP	2	32
40044155	2	1	MAT00601BAA	6	2	SS4090610SP	4	63
40044156	2	2	MAT006050A0	6	7	SS4090615SP	2	22
40044157	2	3	MAT00610000A	6	19	SS5090610SP	4	47
40044158	2	4	MAT00610B00A	6	20	SS6090610SP	4	65
40044159	2	5	MAT00611000A	6	4	SS6090630SP	2	12
40044160	2	6	MAT00612000	6	24	SS6090810SP	2	34
40044161	2	7	MAT00614000	4	58	SS6120940SP	2	45
40044162	2	8	MAT00615000	4	59	SS7090850SP	2	24
B21160190A0	2	19	MAT00616000	6	22	SS9151630CP	4	66
B2526704000	2	11	MAT01601000B	2	28	WP0330501SB	4	61
CQ200000000	2	20	MAT01603000	2	43	WP0510516SD	2	41
D2611555B0B	2	23	MAT01603A00	2	44	WZ0541510KP	4	60
D6029555B0B	6	12	MAT01652000	4	49			
D6042555B00	6	11	MAT01653000	4	50			
E9561351000	6	9	MAT01663000	4	54			
E9603603000	6	29	MAT03218000B	2	25			
G5066110000	2	26	MAT03219000A	2	13			
HC010102220	6	17	MAT03220000	4	51			
HC010201010	6	27	MAT03901000	4	46			
HC029801000	6	32	MAT03902000	4	53			
HF000201000	6	14	MAT03904000	4	64			
HF000711500	6	13	MAT80102T00	2	31			
HG000520000	6	30	MAT80105T00	2	42			
HG005440000	6	38	MAT80106T00	2	40			
HG26720112P	6	33	MAT80114T00	2	17			
HK03464000B	4	57	MAT80120T00	4	55			
HP000700190	6	10	MAT80148T00	6	16			
HR001701000	6	35	MAT81102T00A	2	37			
HR001701010	6	34	MAT81132T00	2	14			
HR001701020	6	37	RE0300000K0	2	16			
HR001701030	6	36	SD0500481TP	2	35			
HR004202020	6	31	SK3482500SC	6	3			
HT001550000	6	28	SL4030641SE	6	39			
HT002570000	6	18	SL4030881SF	6	25			
HX000210000	6	15	SL4040881SF	6	23			
M9636110000	6	5	SL4040891SE	6	21			
MAO11532000	6	8	SL4041091SF	6	6			
MAT00502000A	2	30	SM4031401SC	4	52			
MAT005020A0A	2	29	SM4031601SC	4	62			
MAT00504000A	2	39	SM4040601SB	2	10			
MAT00505000	2	36	SM4041001SN	2	18			
MAT005060A0	2	33	SM4860501SC	4	56			