

MODEL : DDL-5550N SERIES

List No : 0927-07

# PARTS LIST

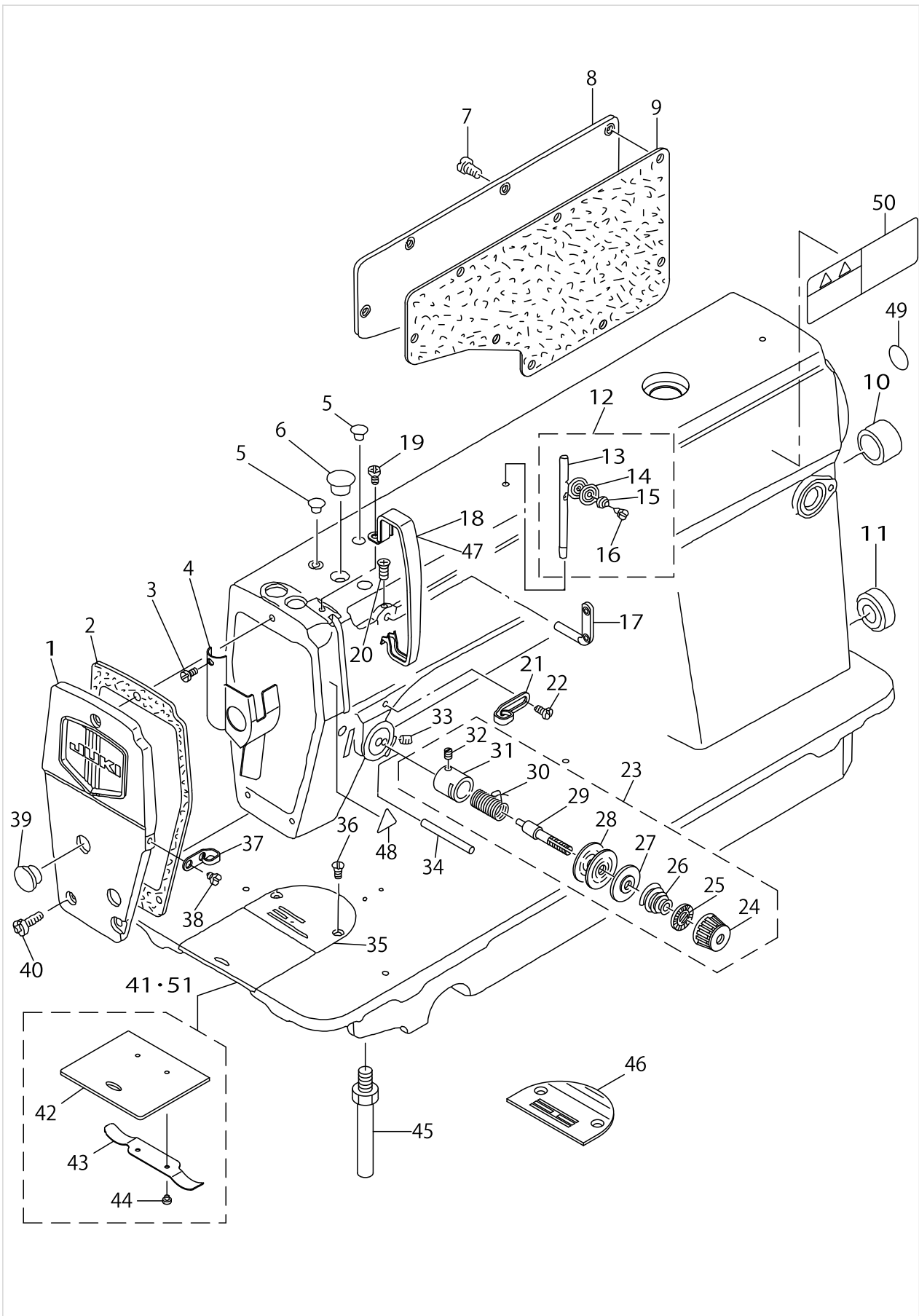
Published:05/12/2017

## CONTENTS

---

MACHINE FRAME & MISCELLANEOUS COVER COMPONENTS .....	1
MAIN SHAFT & THREAD TAKE-UP LEVER COMPONENTS .....	5
NEEDLE BAR, UPRIGHT SHAFT & HOOK DRIVING SHAFT COMPONENTS .....	7
HAND LIFTER COMPONENTS .....	9
FEED MECHANISM COMPONENTS.....	11
OIL LUBRICATION COMPONENTS .....	15
OIL RESERVOIR COMPONENTS .....	17
BELT COVER & BOBBIN WINDER COMPONENTS .....	19
THREAD STAND COMPONENTS.....	21
EXCLUSIVE PARTS FOR DDL-5550NH.....	23
EXCLUSIVE PARTS FOR DDL-5550NA.....	25
LIST FOR INFORMATION OF CHANGE.....	27
HOW TO MAKE USE OF THIS PARTS LIST .....	28

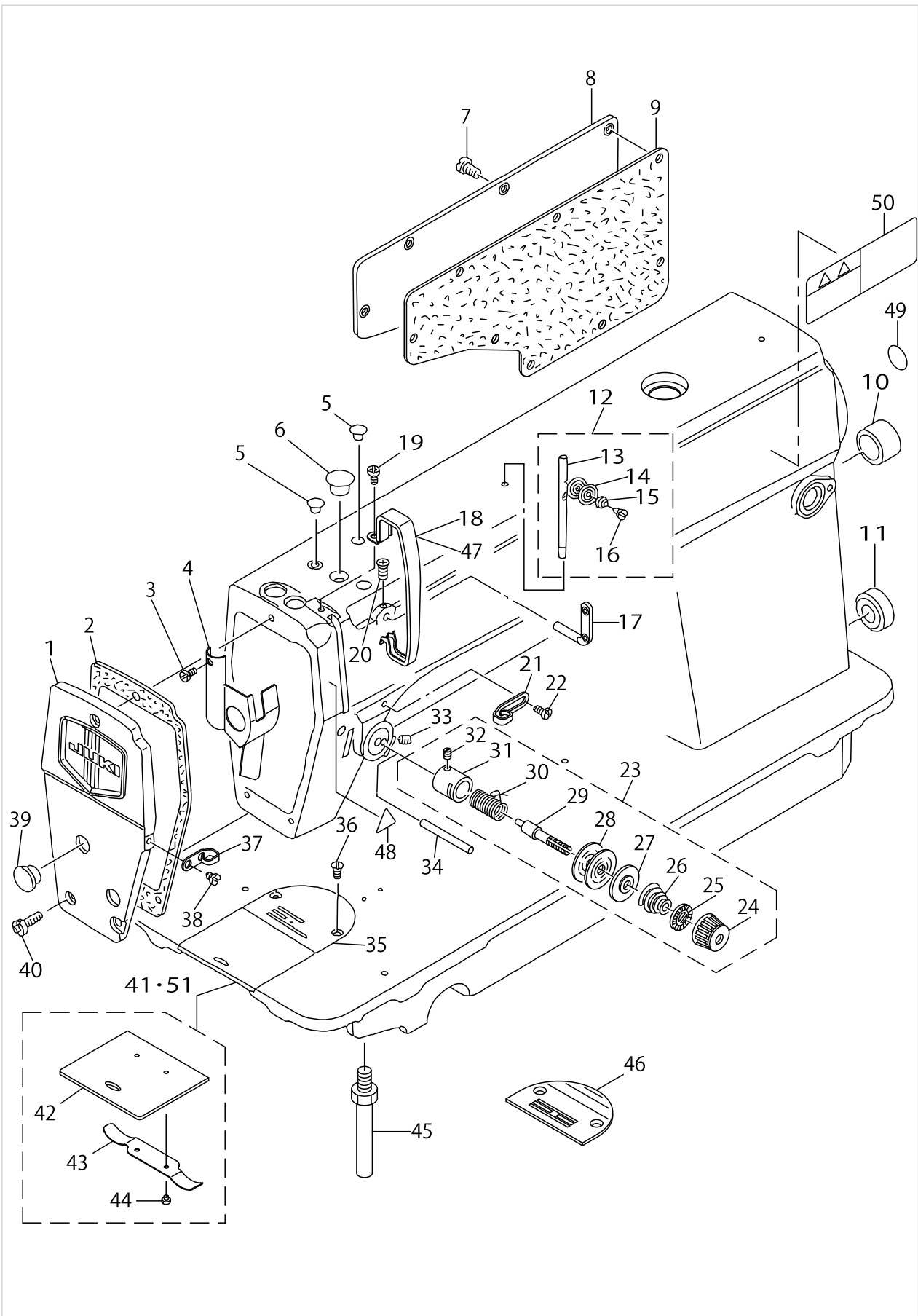
MACHINE FRAME & MISCELLANEOUS COVER COMPONENTS



MACHINE FRAME & MISCELLANEOUS COVER COMPONENTS

No.	Supply Code	Parts No.	Replacement	Parts name	Remarks	Choice	Step	Level	Cons	Qty	Rep. QTY
1		11070851		FACE PLATE ASM.						1	
2		11000304		FACE PLATE GASKET						1	
3		SS6080410SP		SCREW 1/8-44 L=4						1	
4		22900757		FACE PLATE OIL SHIELD ASM.						1	
5		TA0850604R0		RUBBER PLUG						2	
6		TA1250705R0		RUBBER PLUG						1	
7		SS4120915SP		SCREW 3/16-28 L=9						8	
8		22900401		WINDOW PLATE						1	
9		11003308		GASKET						1	
10		TA2000502R0		RUBBER PLUG						1	
11		TA2101002R0		RUBBER PLUG						1	
12		22932552		NEEDLE THREAD GUIDE PIN ASM.						1	
13	R	22932503	22932552	THREAD GUIDE ROD				*		1	1.00
14	D	22932602		THREAD GUIDE DISK				*		2	
15	R	22932701	26021600	THREAD GUIDE DISK SPRING				*		1	1.00
16		SD0380552SL		HINGE SCREW D=3.8 H=5.5				*		1	
17		22920706		TWO EYELET						1	
18		22900609		THREAD TAKE-UP LEVER COVER						1	
19		SS4120615SP		SCREW 3/16-28 L=6						1	
20		SS4120615SP		SCREW 3/16-28 L=6						1	
21		22920508		ARMTHREADGUIDEA						1	
22		22921001		SCREW						1	
23		22945356		THREAD TENSION ASM.						1	
24		22921308		THREAD TENSION NUT				*		1	
25		22921407		ROTATION STOPPER				*		1	
26		22921704		THREAD TENSION SPRING, A				*		1	
27		22921803		DISK STOPPER				*		1	
28		22921506		THREAD TENSION DISK				*		2	
29		22921209		THREAD TENSION POST				*		1	
30		22921605		THREAD TAKE-UP SPRING				*		1	
31		22945307		THREAD TENSION POST BASE				*		1	
32		SS8090670SP		SCREW 9/64-40 L=5.5				*		1	
33		SS8150710TP		SCREW 15/64-28 L=7						1	
34		22920904		PIN						1	
35		B1109012A00		THROAT PLATE (A)						1	
36		SS2110920TP		SCREW 11/64-40 L=8.5						2	
37		22920607		ARMTHREADGUIDEB						1	
38		SS6110610TP		SCREW 11/64-40 L=6						1	
39		TA1250406R0		RUBBER PLUG D=12.5 L=4						2	
40		SS4120915SP		SCREW 3/16-28 L=9						3	
41		22901250		SLIDE PLATE ASM.						1	
42	R	22901201	22901250	SLIDE PLATE				*		1	1.00
43		22901300		SLIDE PLATE SPRING				*		1	
44		SS6060210SP		SCREW 3/32-56 L=1.9				*		2	
45		22901003		BED SCREW STUD						4	
46		B1109552000		THROAT PLATE	FOR JA,JH					1	

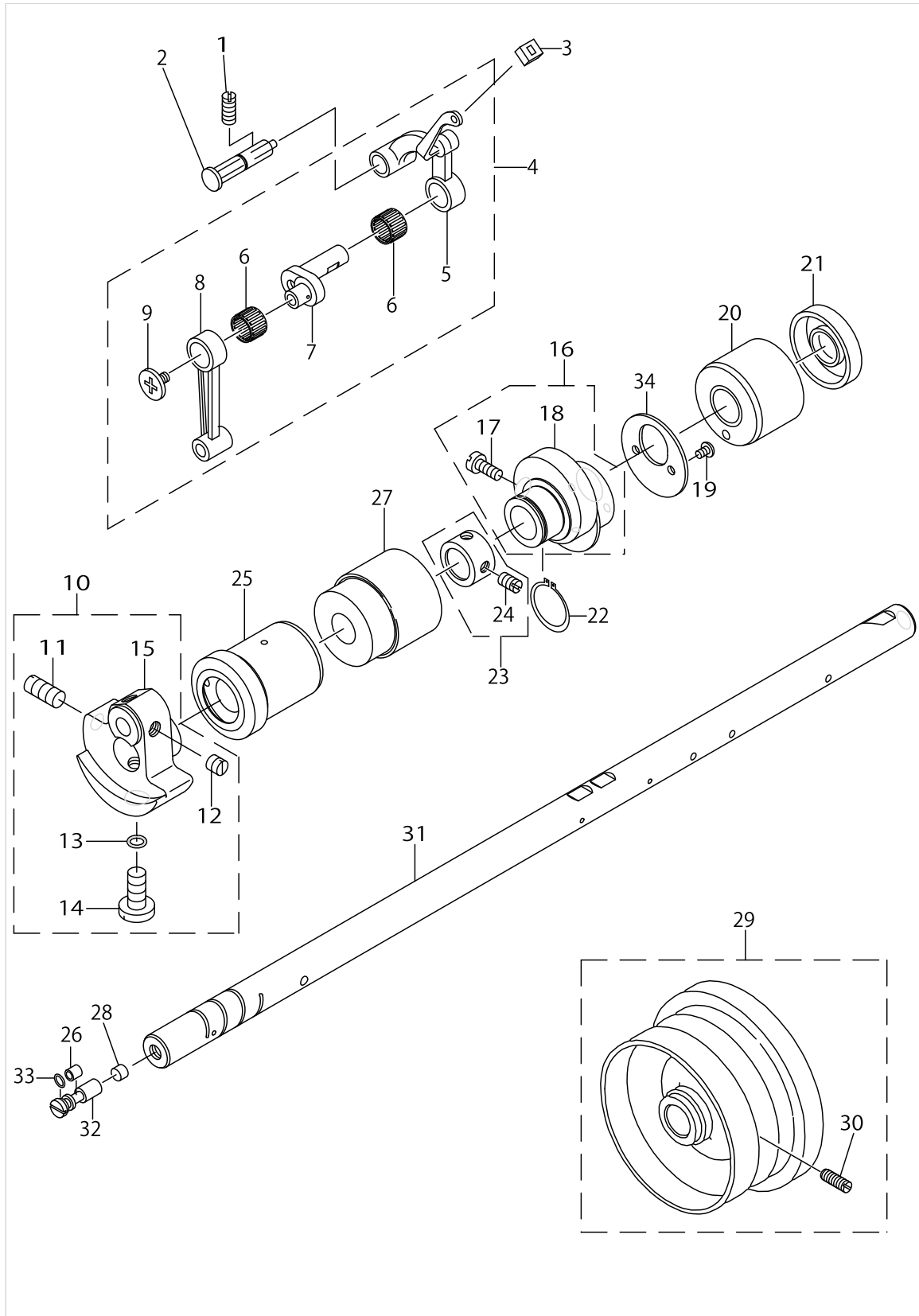
MACHINE FRAME & MISCELLANEOUS COVER COMPONENTS



MACHINE FRAME & MISCELLANEOUS COVER COMPONENTS

No.	Supply Code	Parts No.	Replacement	Parts name	Remarks	Choice	Step	Level	Cons	Qty	Rep. QTY
47		11415205		THREAD TAKE-UP LEVER COVER(JE)	FOR JE					1	
48		CM300200001		ATTENTION SEAL						1	
49		22901805		GROUND MARK						1	
50		CM301300001		SAFETY LABEL						1	
51		22902753		SLIDE PLATE ASM.	FOR JH					1	

# MAIN SHAFT & THREAD TAKE-UP LEVER COMPONENTS

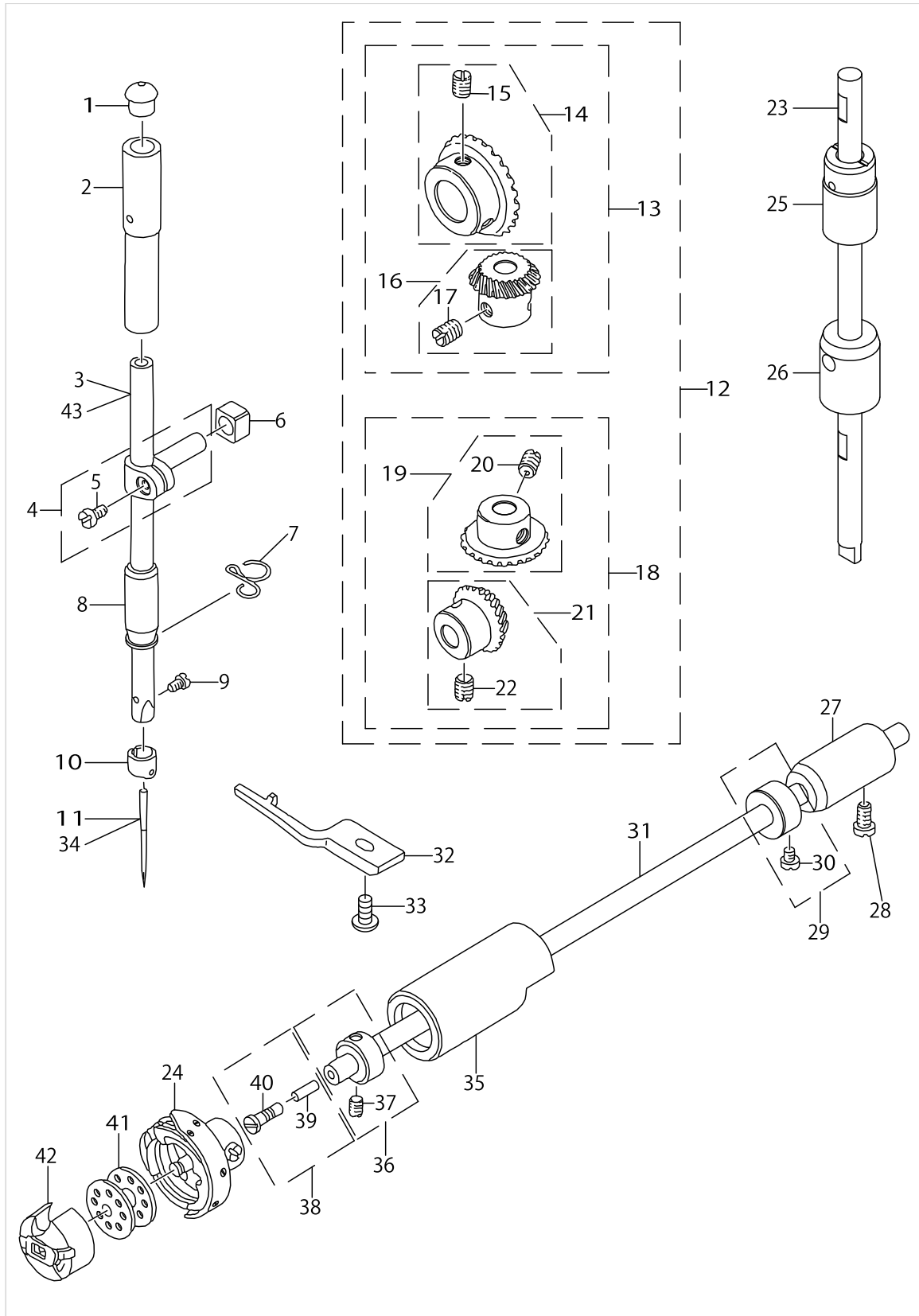


MAIN SHAFT & THREAD TAKE-UP LEVER COMPONENTS

No.	Supply Code	Parts No.	Replacement	Parts name	Remarks	Choice	Step	Level	Cons	Qty	Rep. QTY
1		SS8151150TP		SCREW 15/64-28 L=10.5						1	
2		22919559		THREAD TAKE-UP CRANK SHAFT ASM						1	
3		22919203		OIL PROTECTING RUBBER						1	
4	R	11039070	22918072	THREAD TAKE-UP LEVER ASM.						1	1.00
5	R	11039062	22918072	THREAD TAKE-UP LEVER ASM.				*		1	1.00
6		B1905541B00		NEEDLE BEARING	SELECTIVE PARTS			*		2	
7	R	11005204	22918106	NEEDLE BAR CRANK				*		1	1.00
8	R	B1408552000	22906606	NEEDLE BAR CRANK ROD				*		1	1.00
9		B1903552000		LEFT SCREW				*		1	
10		22903157		COUNTER WEIGHT ASM.						1	
11		SS8681650TP		SCREW 9/32-28 L=16				*		1	
12		SS8660610TP		SCREW 1/4-40 L=6				*		2	
13		RO044240100		RUBBER RING				*		1	
14		SS7681650TP		SCREW 9/32-28 L=16				*		1	
15	R	22903108	22903157	COUNTER WEIGHT				*		1	1.00
16		22910053		FEED DRIVE ECCEN-TRIC CAM ASM.						1	
17		SS6661110SP		SCREW 1/4-40 L=11				*		2	
18	R	22910004	22910053	FEED DRIVE ECCENTRIC CAM				*		1	1.00
19		SS4090615SP		SCREW 9/64-40 L=6						2	
20		11002409		MAIN SHAFT BUSHING, REAR						1	
21	R	11002508	40105231	OIL SEAL						1	1.00
22		RC1850001KP		SNAP RING 18.5						1	
23		22904155		MAIN SHAFT THRU-ST COLLAR ASM.						1	
24		SS8660610TP		SCREW 1/4-40 L=6				*		2	
25		22903207		MAIN SHAFT BUSHING, FRONT						1	
26		B1215552000		OIL ADJUSTING COLLAR						1	
27		22903306		BUSHING,INTERMEDIATE						1	
28		11002904		ROLLER FELT						1	
29		11071362		FLYWHEEL ASM.						1	
30		SS8151550SP		SCREW15/64-28L=15				*		2	
31		22903009		MAIN SHAFT						1	
32		22903900		ADJUSTING PIN						1	
33		RO029180100		RUBBER RING						1	
34		22910103		THRUST COLLAR						1	



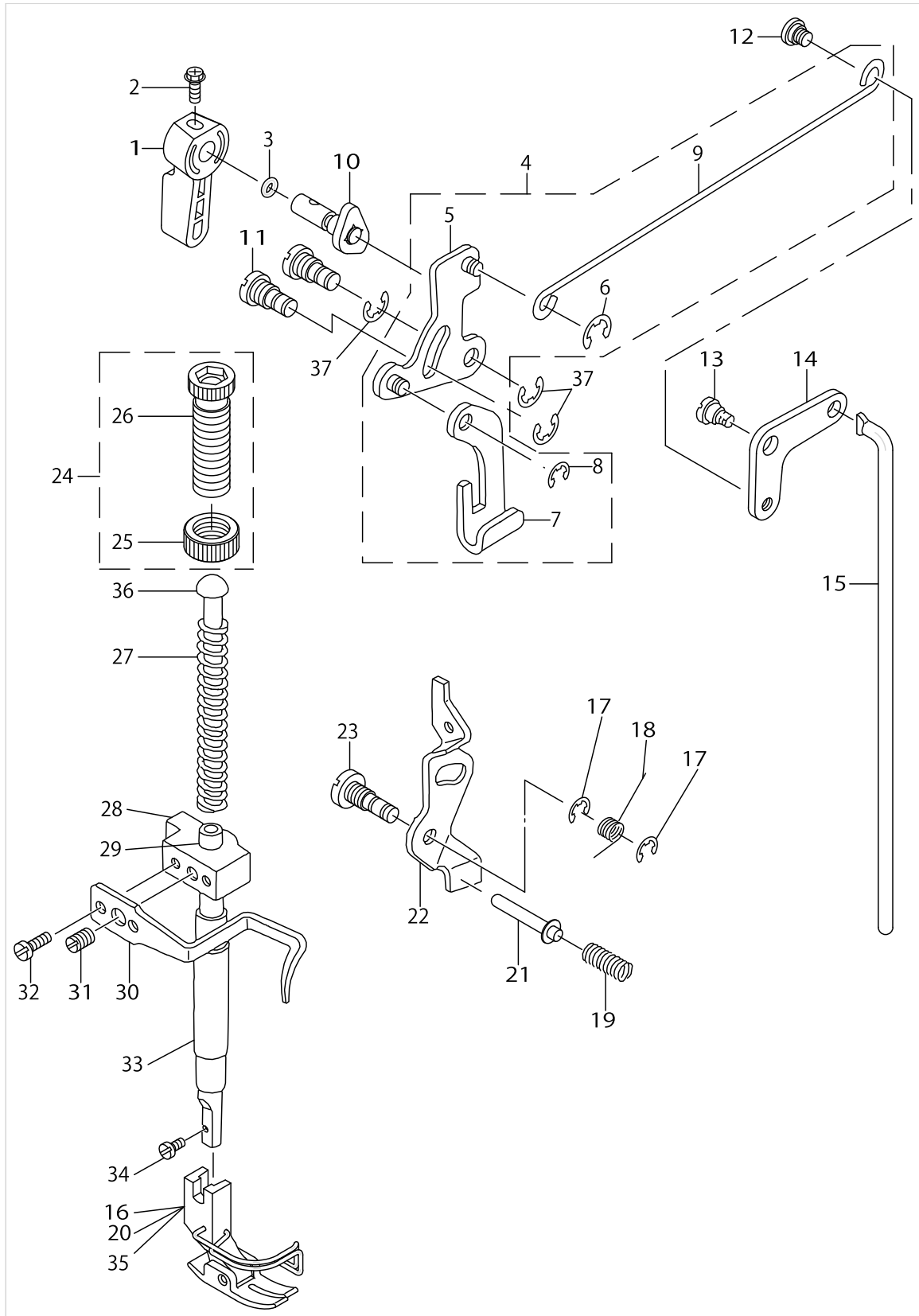
NEEDLE BAR, UPRIGHT SHAFT & HOOK DRIVING SHAFT COMPONENTS



NEEDLE BAR, UPRIGHT SHAFT & HOOK DRIVING SHAFT COMPONENTS

No.	Supply Code	Parts No.	Replacement	Parts name	Remarks	Choice	Step	Level	Cons	Qty	Rep. QTY
1		22901409		NEEDLE BAR UPPER BUSH CAP						1	
2		22906101		NEEDLE BAR BUSHING, UPPER						1	
3		22906002		NEEDLE BAR						1	
4		22906457		NEEDLE BAR HOLDER ASM.						1	
5		SS6090670TP		SCREW 9/64-40 L=6				*		1	
6		40090058		SLIDE BLOCK						1	
7		22920805		NEEDLE BAR THREAD GUIDE						1	
8		22906200		NEEDLE BAR BUSHING, LOWER						1	
9		SS7080510TP		SCREW 1/8-44 L=4.5						1	
10		22906309		NEEDLE BAR THREAD GUIDE						1	
11		MDB100B1400		NEEDLE DBX1 #14						1	
12	R	B13061550C0	B13071550C0	GEAR & PINION ASM.						1	1.00
13		B13061550B0		GEAR & PINION ASM., UPPER				*		1	
14		B13050120A0		GEAR ASM.				*		1	
15		SS8660810TP		SCREW 1/4-40 L=8				*		2	
16		B13061550A0		PINION ASM.				*		1	
17		SS8660810TP		SCREW 1/4-40 L=8				*		2	
18		B13071550B0		GEAR & PINION ASM., LOWER				*		1	
19		B13071550A0		GEAR ASM. LARGE				*		1	
20		SS8660810TP		SCREW 1/4-40 L=8				*		2	
21		B13081550A0		PINION ASM.				*		1	
22		SS8660810TP		SCREW 1/4-40 L=8				*		2	
23		22905004		UPRIGHT SHAFT						1	
24		B18301270A0		HOOK ASM.						1	
25		22905103		UPRIGHT SHAFT BUSHING, UPPER						1	
26		11004207		UPRIGHT SHAFT BUSHING, LOWER						1	
27		22916308		HOOK DRIVING SH- AFT BUSH, REAR						1	
28		SS4120915SP		SCREW 3/16-28 L=9						1	
29		22917157		THRUST COLLAR ASM., REAR						1	
30		SS6110420TP		SCREW 11/64-40 L=4.8				*		2	
31		22916001		HOOK DRIVING SHAFT						1	
32		22916407		BOBBIN CASE POSI- TIONING FINGER						1	
33		SS4110915TP		SCREW 11/64-40 L=9						1	
34		MC200500900		NEEDLE 134 90	FOR JE					1	
35		22916100		HOOK DRIVING SH- AFT BUSH, FRONT						1	
36		22917058		THRUST COLLAR ASM., FRONT						1	
37		SS8110410TP		SCREW 11/64-40 L= 3.5				*		2	
38		22916555		OILSEALSCREWASM.						1	
39		11015906		OIL WICK				*		1	
40		22916506		SET SCREW				*		1	
41		22932909		BOBBIN						1	
42		B18370120A0		BOBBIN CASE ASM.						1	
43	R	11141108	22906705	NEEDLE BAR	FOR JE					1	1.00

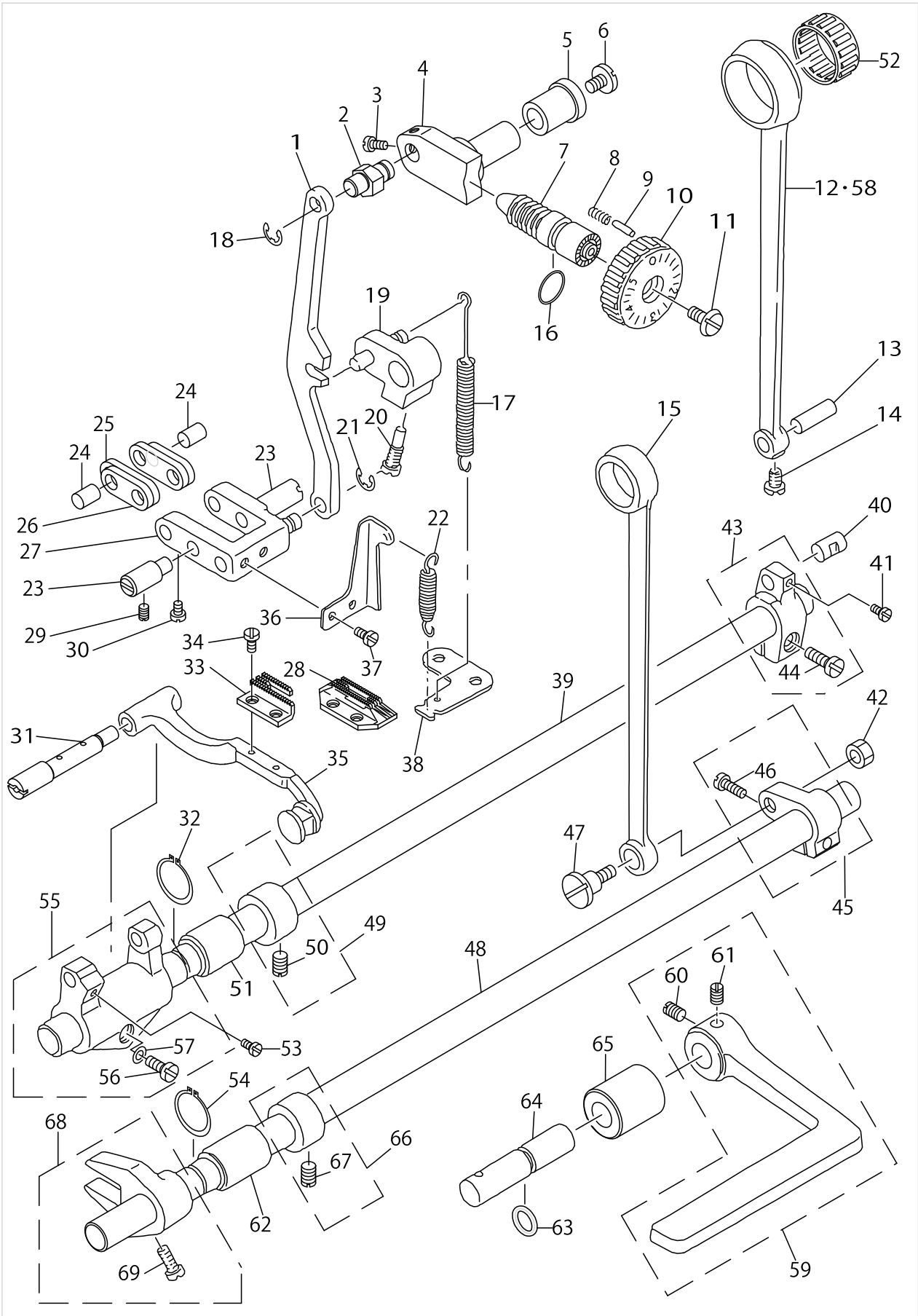
# HAND LIFTER COMPONENTS



HAND LIFTER COMPONENTS

No.	Supply Code	Parts No.	Replacement	Parts name	Remarks	Choice	Step	Level	Cons	Qty	Rep. QTY
1		22907802		HAND LIFTER						1	
2		B1521555000		SCREW						1	
3		RO037180100		RUBBER RING						1	
4		22908354		KNEE LIFTING CROSS ROD ASM.						1	
5	R	22908156	22908354	LIFTING LINK ASM.				*		1	1.00
6		RE0500000K0		E-RING				*		1	
7	R	22908008	22908354	LIFTING PLATE		A	DDL-5550 5550N 555- 0N-7 5556- N-7 5600NL-7	*		1	1.00
7	R	22908008	23609357	LIFTING PLATE		B	DDL-9000A 9000B	*		1	1.00
7	R	22908008	40057398	LIFTING PLATE		C	LH-3500	*		1	1.00
7	R	22908008	40174387	LIFTING PLATE		D	DDL-9000C	*		1	1.00
8		11007309		E-RING				*		1	
9		22908305		KNEE LIFTER SIDE ROD				*		1	
10		22908552		HAND LIFTER CAM ASM.						1	
11		22908701		LINK SHAFT						1	
12		22908909		HINGE SCREW						1	
13		SD0720331SP		HINGE SCREW D= 7.24 H= 3.3						1	
14		22908800		KNEE LIFTER LINK						1	
15		22909006		KNEE LIFTER CONNECTING ROD						1	
16		11028172		PRESSER FOOT ASM.	FOR USE IN JAPAN					1	
17		RE0500000K0		E-RING						2	
18	R	11018207	22920201	TENSION RELEASE RETURN SPRING						1	1.00
19		22920409		THREAD RELEASE PIN SPRING						1	
20		B15245520BA		PRESSER FOOT ASM.	FOR JA					1	
21		22920300		THREAD RELEASE SUPPORTING PIN						1	
22		22920003		THREAD RELEASE PLATE						1	
23		22920102		THREAD RELEASE						1	
24		22907554		FEED REGULATOR SCREW NUT ASM.						1	
25	R	22907604	22907554	PRESSER SPRING REGULATOR NUT				*		1	1.00
26	R	22907505	22907554	PRESSER SPRING REGULATOR				*		1	1.00
27		22907406		PRESSER SPRING						1	
28	R	11006004	22907208	PRESSER BAR GUIDE BRACKET						1	1.00
29		40017805		PRESSER BAR						1	
30		22907307		THREAD GUIDE						1	
31		SS8660810TP		SCREW 1/4-40 L=8						1	
32		SS6090910SP		SCREW 9/64-40 L=9						2	
33		40060989		PRESSER BAR BUSHING LOWER						1	
34		SS7091110TP		SCREW 9/64-40 L=10.5						1	
35		B15240120BA		PRESSER FOOT ASM.						1	
36		22907703		PRESSER GUIDE BAR						1	
37		RE0500000K0		E-RING						3	

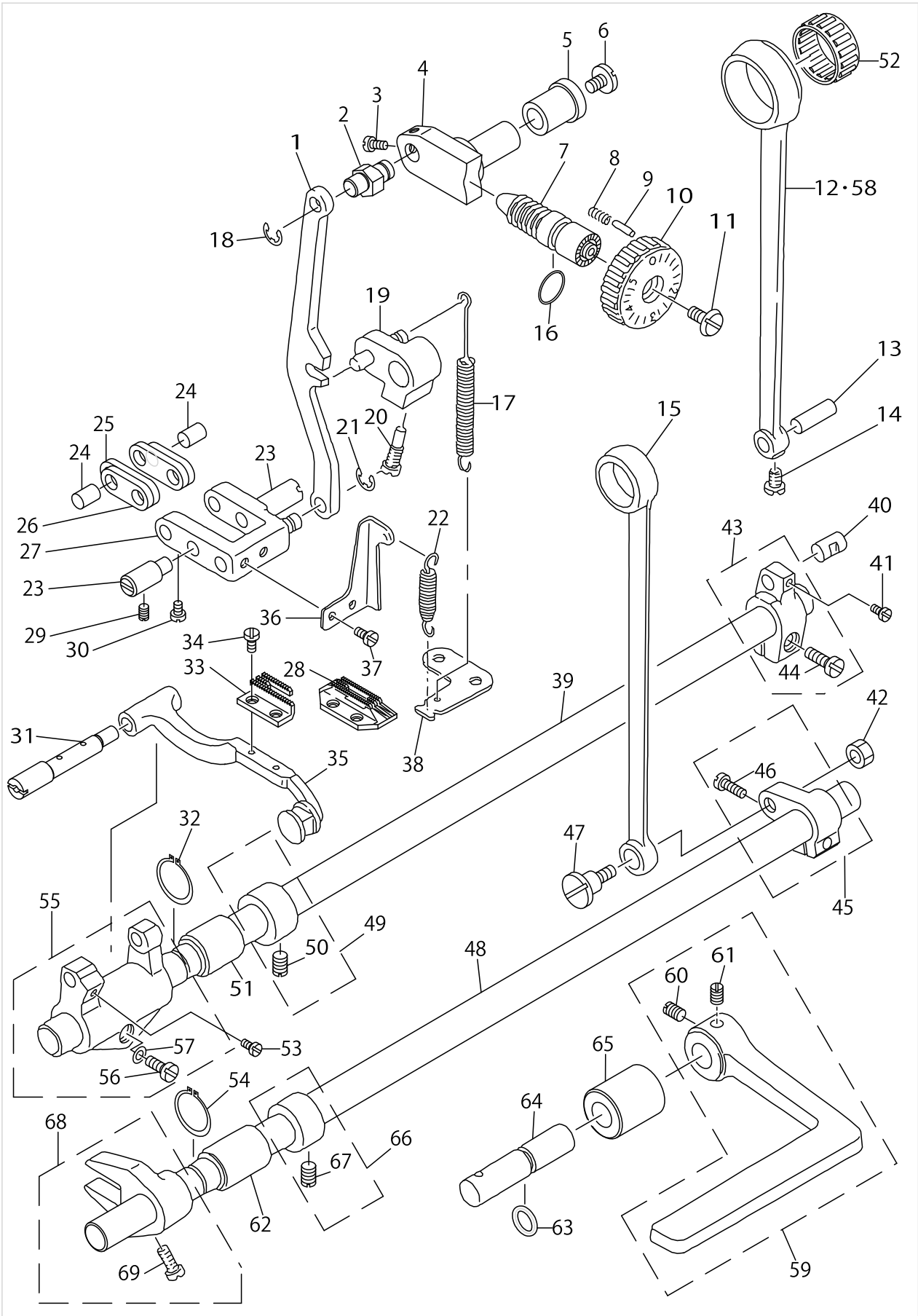
FEED MECHANISM COMPONENTS



FEED MECHANISM COMPONENTS

No.	Supply Code	Parts No.	Replacement	Parts name	Remarks	Choice	Step	Level	Cons	Qty	Rep. QTY
1		22911408		FEED REGULATOR CONNCTING ROD						1	
2		22911507		WALKING FOOT PIN C						1	
3		SS6090670TP		SCREW 9/64-40 L=6						2	
4		22911606		FEED REGULATOR						1	
5		22911705		FEED REGULATOR BUSHING						1	
6		SS7120770SH		SCREW 3/16-28 L=7						1	
7		22911804		FEED REGULATOR SCREW						1	
8		22912109		FEED REGULATOR PIN SPRING						1	
9		22912000		FEED REGULATOR PIN						1	
10		22911903		FEED DIAL						1	
11		SS6121860SP		SCREW 3/16-28 L=18						1	
12		22910251		ROCKER SHAFT CO- NNECTING ROD						1	
13		22911101		WALKING FOOT PIN C						1	
14		SS6090620TP		SCREW						1	
15		22915003		CONNECTING ROD						1	
16		RO092270200		RUBBER RING						1	
17		11010311		FEED REVERSE SPRING						1	
18		RE0500000K0		E-RING						1	
19		22912257		FEED REVERSE ARM ASM.						1	
20	R	11010410	22912505	FEED REVERSE ARM SCREW						1	1.00
21		RE0500000K0		E-RING						1	
22		22911309		ADJUSTING LINK SPRING						1	
23		22910806		ADJUST LINK FULCRUM SHAFT A						2	
24		22910905		WALKING FOOT PIN A						2	
25	R	11008703	40089548	WALKING FOOT LINK						2	1.00
26	R	11008604	40093417	CONNECTING LINK A						2	1.00
27		22910459		FEED ADJUSTING LINK ASM.						1	
28		B1613012I00		FEED DOG I	FOR JA,JH					1	
29		SS8150710TP		SCREW 15/64-28 L=7						2	
30		SS6090620TP		SCREW						2	
31		22940803		FEED BAR SHAFT						1	
32		RC0150001KP		RETAINING RING 13.8						1	
33		B1613012A00		FEED DOG A						1	
34		SS4080620TP		SCREW 1/8-44 L=6						2	
35		22971857		FEED BASE ASM.						1	
36		22941306		REGULATOR LINK SPRING HOOK						1	
37		SS4110515SP		SCREW 11/64-40 L=5						2	
38		22913701		FEED SPRING HOOK						1	
39		22912901		FEED ROCKERSHAFT						1	
40		22911002		WALKING FOOT PIN B						1	
41		SS6090620TP		SCREW						1	
42		NS6680410SP		NUT 9/32-28						1	
43		22910350		FEED ROCKER SHA- FT CRANK ASM.						1	
44		SS7121410TP		SCREW 3/16-28 L=14					*	1	
45		22915151		FEED ARM COMPL.						1	

FEED MECHANISM COMPONENTS

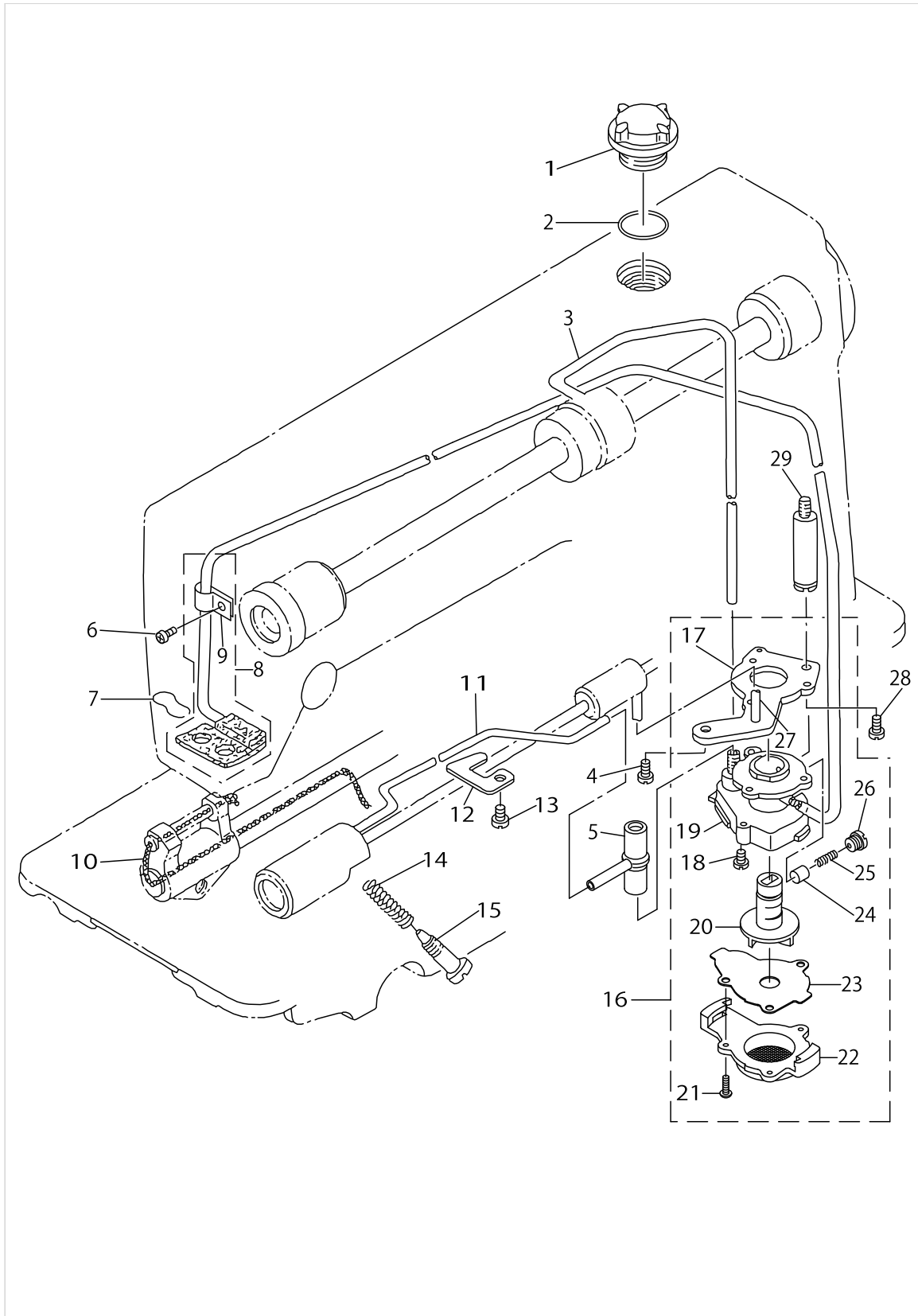


FEED MECHANISM COMPONENTS

No.	Supply Code	Parts No.	Replacement	Parts name	Remarks	Choice	Step	Level	Cons	Qty	Rep. QTY
46		SS7121610SP		SCREW 3/16-28 L=15.5				*		1	
47		SD1000801SH		HINGE SCREW D=10 H=8						1	
48		22915201		FEED DRIVING SHAFT						1	
49		22904155		MAIN SHAFT THRU-ST COLLAR ASM.						1	
50		SS8660610TP		SCREW 1/4-40 L=6				*		2	
51		22913008		FEED ROCKER SHAFT BUSHING						1	
52		B1636581C00		NEEDLE BEARING	FOR JE,JA & SELECTIVE PARTS(A~D)					1	
53		SS7110740TP		SCREW 11/64-40 L=7						1	
54		RC0150001KP		RETAINING RING 13.8						1	
55		22940654		FEED ROCKER ASM.						1	
56		SS7121410TP		SCREW 3/16-28 L=14				*		1	
57		WP0480856SP		WASHER 4.8X8.4X0.8				*		1	
58		11011400		HORIZONTAL FEED ROD (A)	FOR JE,JA					1	
59		22912752		FEED LEVER ASM.						1	
60		SM8061010TP		SCREW				*		1	
61		SM8061050TP		SCREW				*		1	
62		22913008		FEED ROCKER SHAFT BUSHING						1	
63		RO078190100		RUBBER RING						1	
64		22912604		FEED REVERSE SHAFT						1	
65	R	11010709	22912802	FEED LEVER METAL						1	1.00
66		22904155		MAIN SHAFT THRU-ST COLLAR ASM.						1	
67		SS8660610TP		SCREW 1/4-40 L=6				*		1	
68		22915359		DRIVING SHAFT CRANK ASM.						1	
69	R	SS7111120SP	SS7111120TP	SCREW 11/64-40 L=10.5				*		1	1.00



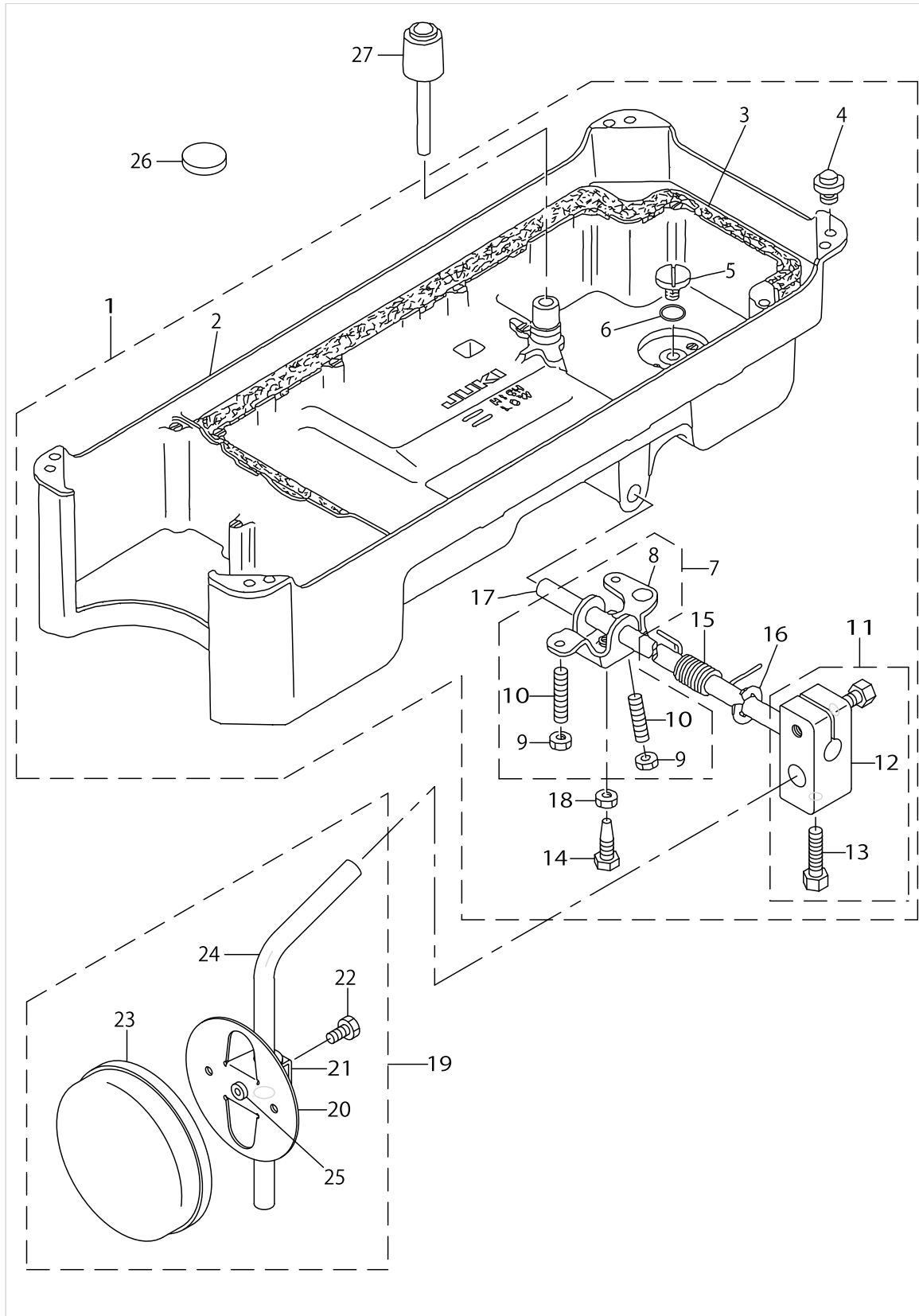
OIL LUBRICATION COMPONENTS



OIL LUBRICATION COMPONENTS

No.	Supply Code	Parts No.	Replacement	Parts name	Remarks	Choice	Step	Level	Cons	Qty	Rep. QTY
1		22924708		OIL SIGHT WINDOW						1	
2		RO195240100		RUBBER RING						1	
3		22924401		MAINSHAFTOILTUBE						1	
4		SS4150915SP		SCREW 15/64-28 L=9						1	
5		22924609		RUBBER JOINT						1	
6		SS4120615SP		SCREW 3/16-28 L=6						1	
7		22925101		OIL FELT PRESSER						1	
8		22924153		RETURN PIPE ASM.						1	
9		22924302		RETURN PIPE HOLDER				*		1	
10		CQ252000000		OIL WICK						.3	
11		22924500		HOOK OIL TUBE						1	
12		22924807		PIPEHOLDER,LOWER						1	
13		SS4150915SP		SCREW 15/64-28 L=9						1	
14		22924906		OIL REGULATOR SCREW SPRING						1	
15		22925002		OIL REGULATOR SCREW						1	
16		22923056		OIL PUMP ASM.						1	
17	R	22923304	22923056	PUMP BODY INSTALLING PLATE				*		1	1.00
18		SL4030851SF		SCREW M3 L=8				*		3	
19	R	22923007	22923056	PUMP BODY				*		1	1.00
20		22923700		IMPELLER				*		1	
21		SE4301041SR		SCREW D=3 L=10				*		3	
22		22923205		PUMP BODY COVER				*		1	
23		22923809		PUMP BODY SUPPORT PLATE				*		1	
24		22923403		PLUNGER				*		1	
25		22923601		PLUNGER SPRING				*		1	
26		22923502		PLUNGER SCREW				*		1	
27		22923908		HOOK DRIVING SH-AFT OILING PIPE				*		1	
28		SS6111010TP		SCREW 11/64-40 L= 9.5						1	
29		22924005		PUMP BODY STRUT						1	

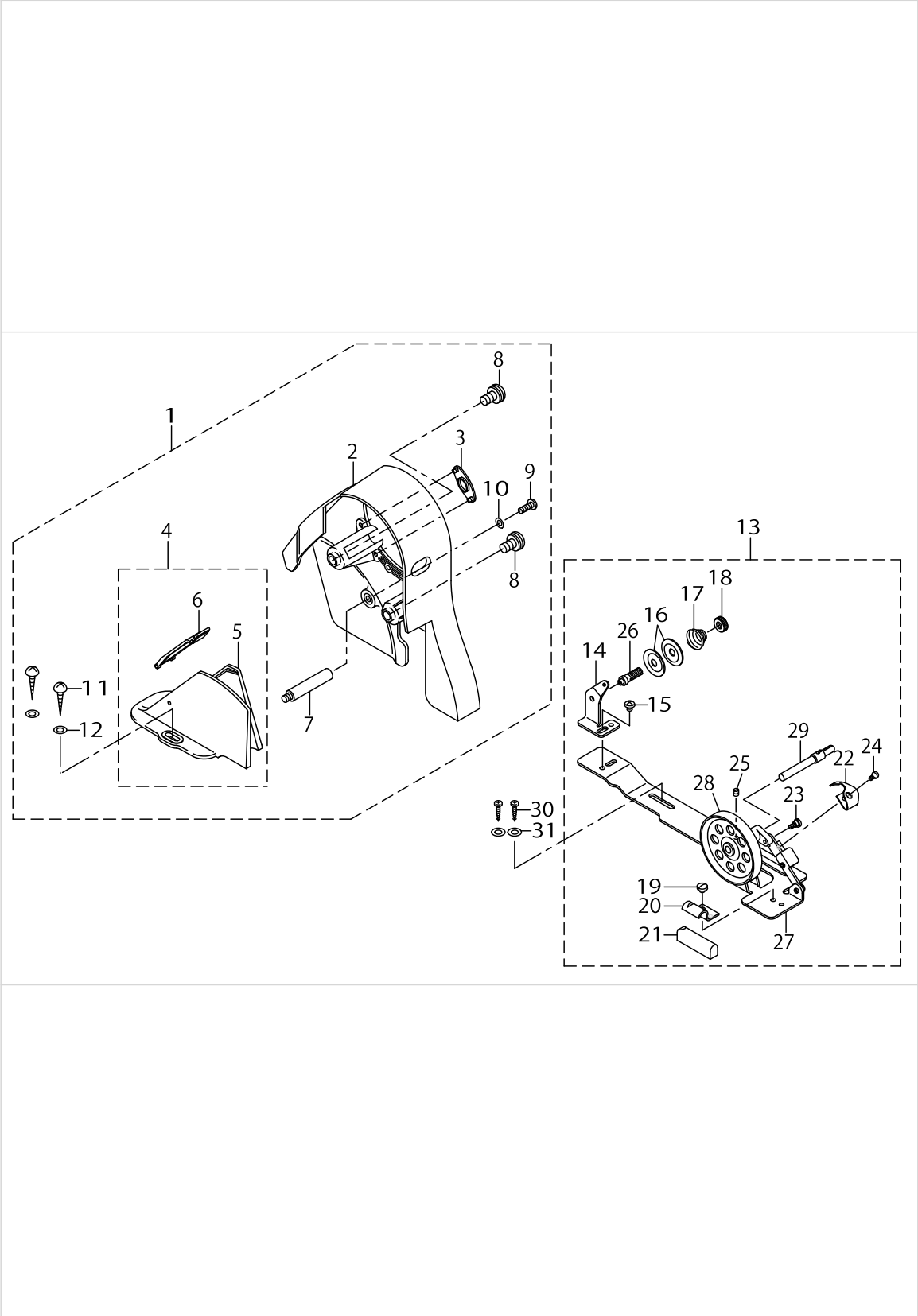
OIL RESERVOIR COMPONENTS



OIL RESERVOIR COMPONENTS

No.	Supply Code	Parts No.	Replacement	Parts name	Remarks	Choice	Step	Level	Cons	Qty	Rep. QTY
1	R	11047057	40102085	OIL RESERVOIR ASM.						1	1.00
2	R	11023017	40102085	OIL RESERVOIR				*		1	1.00
3		11024700		GASKET				*		1	
4		11047107		RUBBER CUSHION				*		4	
5		SS6700710SH		SCREW 5/16-24 L=7				*		1	
6		RO098240100		RUBBER RING				*		1	
7		22932156		KNEE LIFTER ROTATION ARM ASM.				*		1	
8	R	22932107	22932156	KNEE LIFTER ROTATION ARM				*		1	1.00
9		NM6060001SE		NUT M6				*		2	
10		SM8063012TR		SCREW M6 L=30				*		2	
11		22932453		BRACKET ASM.				*		1	
12	R	22932404	22932453	BRACKET				*		1	1.00
13		22934707		SCREW				*		2	
14		SM9062563TR		SCREW M6 L=25				*		1	
15		22932206		SPRING				*		1	
16		RE1000000K0		E-RING 10				*		1	
17		22932305		KNEE PRESS ROD				*		1	
18		NM6060001SE		NUT M6				*		1	
19		22934251		KNEE PAD PLATE ASM.						1	
20		22934202		KNEE PAD PLATE				*		1	
21		22934301		KNEE PAD PLATE SUPPORT				*		1	
22		SM9061203SE		SCREW M6 L=12				*		1	
23		22934509		KNEE PAD PLATE COVER				*		1	
24		22934608		KNEE PAD UPRIGHT SHAFT				*		1	
25		22934400		KNEE PAD PLATE RUBBER				*		1	
26		B8228125000		OIL RESERVOIR MAGNET						1	
27		22931703		KNEE LIFTER PUSH ROD						1	

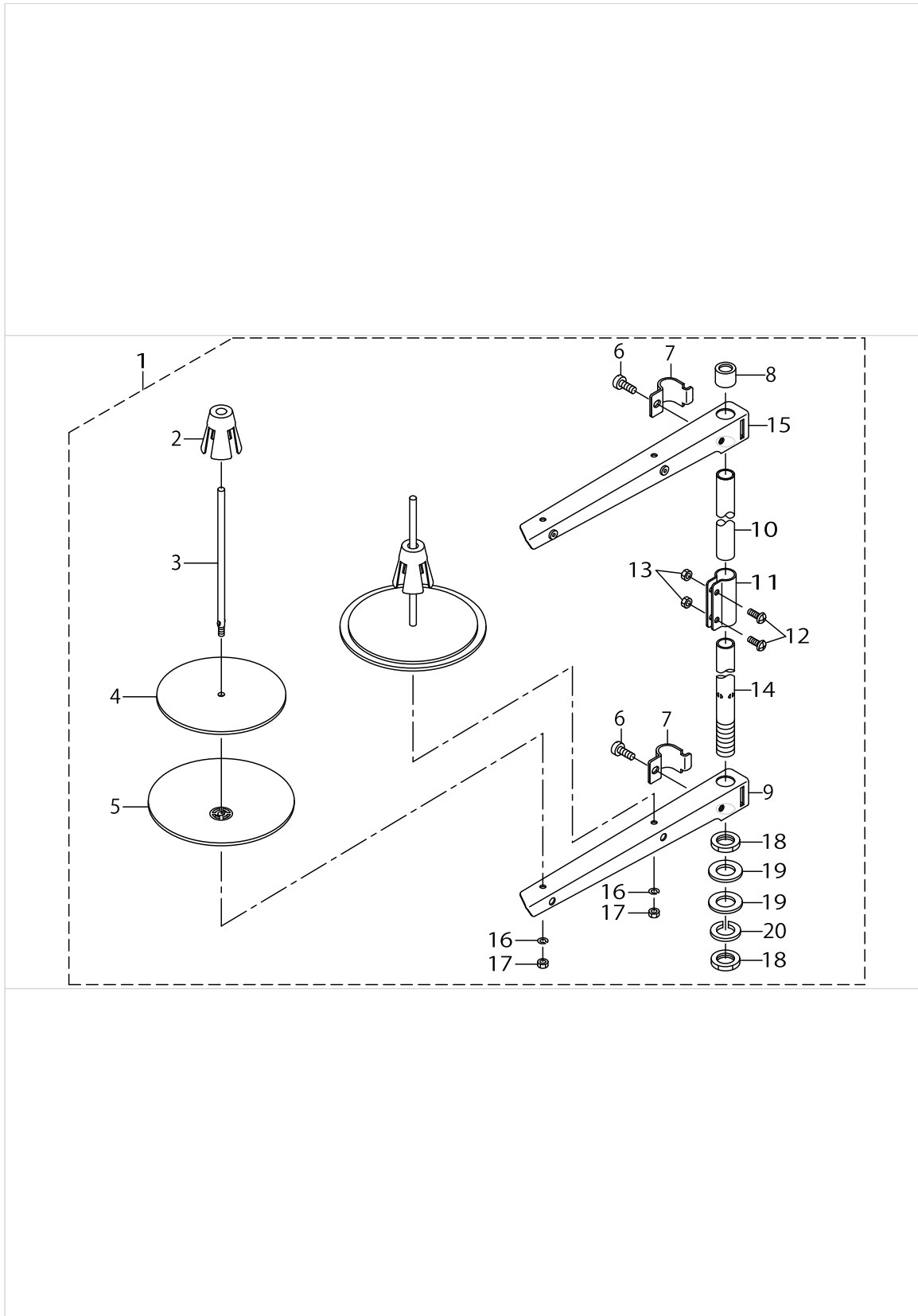
BELT COVER & BOBBIN WINDER COMPONENTS



BELT COVER & BOBBIN WINDER COMPONENTS

No.	Supply Code	Parts No.	Replacement	Parts name	Remarks	Choice	Step	Level	Cons	Qty	Rep. QTY
1		22933451		BELT COVER ASM.						1	
2	R	22933402	22933451	BELT COVER A				*		1	1.00
3		22933501		BELT COVER A CAP				*		1	
4		22933659		BELT COVER B COMPL.				*		1	
5		22933600		BELT COVER B				*		1	
6	R	22933758	22933659	BELT COVER B LID ASM.				*		1	1.00
7		22933907		BELT COVER STRUT				*		1	
8	R	22934004	11025202	SET SCREW				*		2	1.00
9		SS4121415SP		SCREW 3/16-28 L=14				*		1	
10		WP0501016SD		WASHER 5X10.5X1				*		1	
11	R	SK3412000SC	SK3412000SE	WOOD SCREW D=4.1 L=20				*		2	1.00
12		WP0450826SC		WASHER 4.5X10X0.8				*		2	
13		22927354		BOBBIN WINDER COMPL.						1	
14	R	22928501	11078250	THREAD TENSION POST BASE				*		1	1.00
15		SS4110515SP		SCREW 11/64-40 L=5				*		1	
16	R	22928907	22921506	THREAD TENSION DISK				*		2	1.00
17		22929004		THREAD TENSION SPRING				*		1	
18		22928808		NUT				*		1	
19		SS7110350SP		SCREW 11/64-40 L=3.5				*		1	
20	D	22928402		CONTROL RUBBER HOLDING PLATE				*		1	
21		22928303		CONTROL RUBBER				*		1	
22		22928105		BOBBIN PRESSER				*		1	
23		SD0490261SP		HINGE SCREW D=4.9 H=2.6				*		1	
24		SS7081310SP		SCREW 1/8-44 L=12.5				*		1	
25	R	SS8110510SP	SS8110520TP	SCREW 11/64-40 L=5				*		1	1.00
26	R	22928709	11078250	THREAD TENSION POST				*		1	1.00
27	R	22927305	22927354	BOBBIN WINDER BASE				*		1	1.00
28		22927404		BOBBIN WINDER				*		1	
29		22927602		BOBBIN WINDER SPINDLE				*		1	
30	R	SK3412000SC	SK3412000SE	WOOD SCREW D=4.1 L=20						2	1.00
31		WP0450826SC		WASHER 4.5X10X0.8						2	

# THREAD STAND COMPONENTS

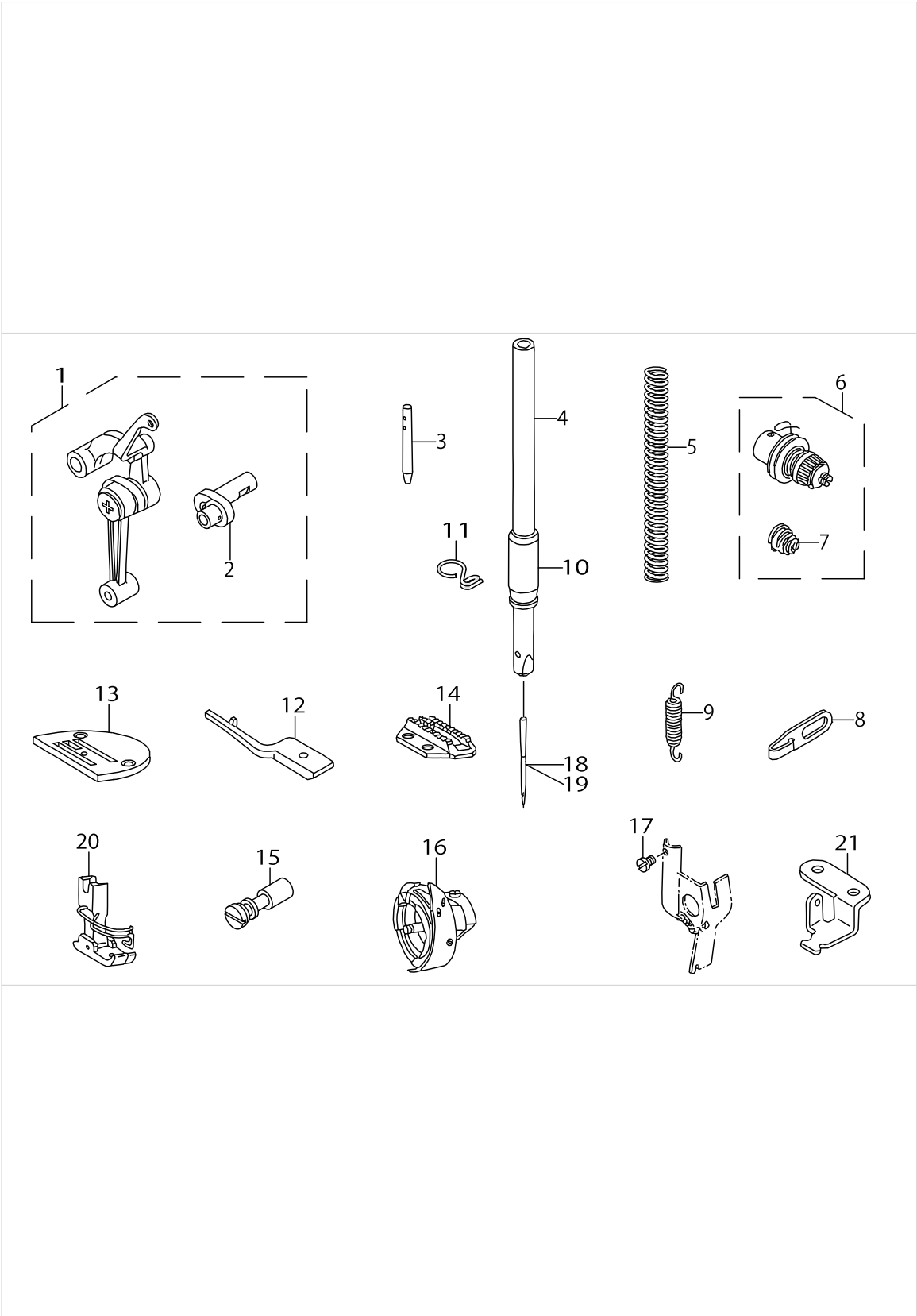


THREAD STAND COMPONENTS

No.	Supply Code	Parts No.	Replacement	Parts name	Remarks	Choice	Step	Level	Cons	Qty	Rep. QTY
1	R	22930358	40096354	THREAD STAND ASM.						1	1.00
2	R	22931109	40085791	SPOOL RETAINER				*		2	1.00
3	R	22931000	40085790	SPOOL PIN				*		2	1.00
4		22930903		SPOOL REST CUSHION				*		2	
5		22930804		SPOOL REST				*		2	
6		SM6061610SC		SCREW M6 L=16				*		2	
7	R	22930705	40096354	THREAD GUIDE ARM JOINT				*		2	1.00
8		22931406		SPOOL REST ROD RUBBER CAP				*		1	
9	R	22930507	40096354	SPOOL REST ARM				*		1	1.00
10	R	22930408	40096354	SPOOL REST ROD, UPPER				*		1	1.00
11	R	22931307	40096354	SPOOL REST ROD JOINT				*		1	1.00
12		SM4051405SE		SCREW M5 L=14				*		2	
13		NM6050001SE		NUT M5				*		2	
14	R	22930309	40096354	SPOOL REST ROD, LOWER				*		1	1.00
15	R	22930556	40096354	THREAD STANDING ARM ASM.				*		1	1.00
16		WS0510002KN		SPRING WASHER				*		2	
17		NM6050001SE		NUT M5				*		2	
18		NM6160511SE		NUT M16X1.5				*		2	
19		WP1612616SE		WASHER 16X30X2.6				*		2	
20	R	WS1643202KR	WP1612616SE	SPRING WASHER		A		*		1	2.00
20	R	WS1643202KR	40085796	SPRING WASHER		A		*		1	2.00



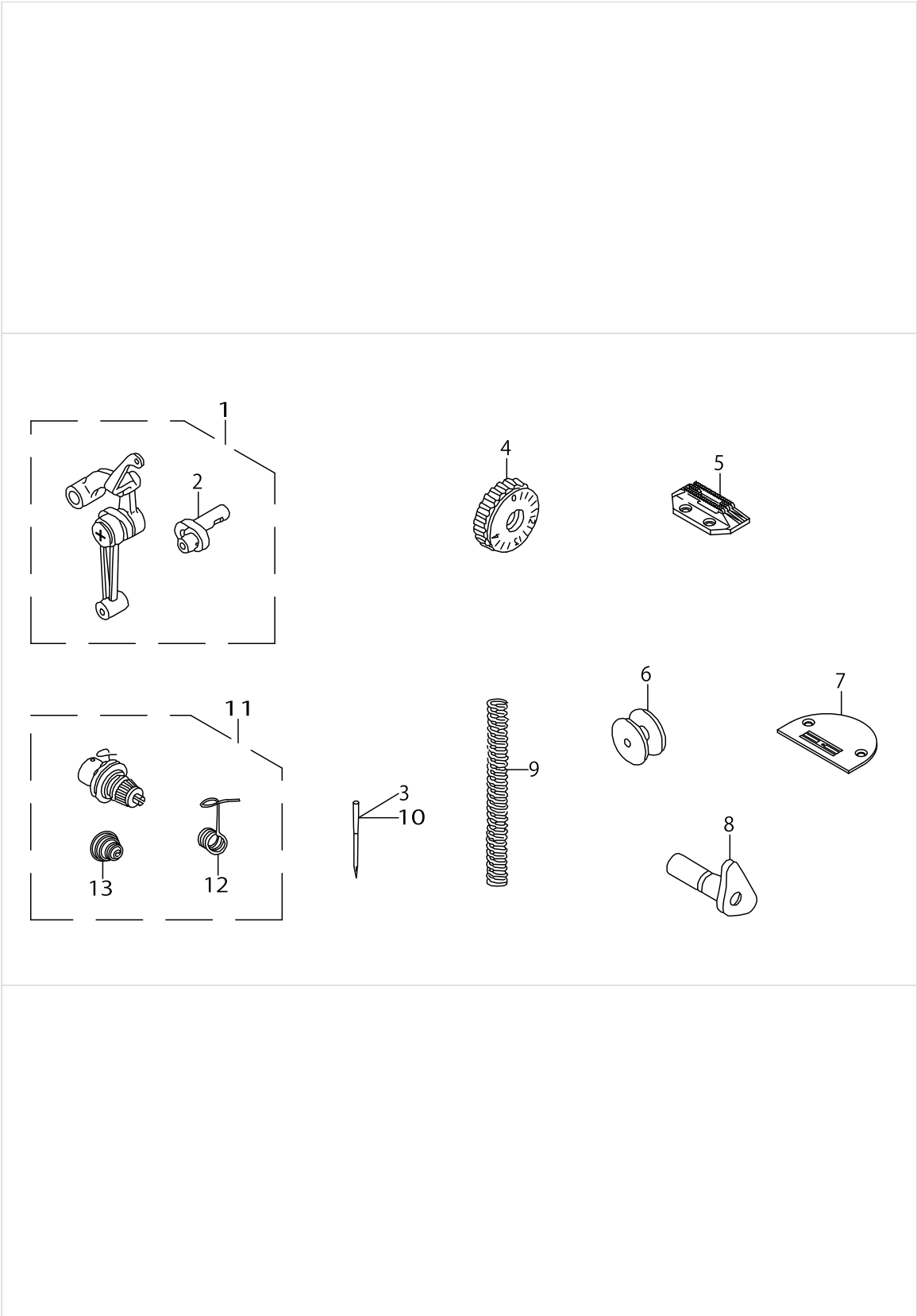
EXCLUSIVE PARTS FOR DDL-5550NH



EXCLUSIVE PARTS FOR DDL-5550NH

No.	Supply Code	Parts No.	Replacement	Parts name	Remarks	Choice	Step	Level	Cons	Qty	Rep. QTY
1	R	11091659	40103560	LINK THREAD TAKE- -UP LEVER ASM.						1	1.00
2	R	11091600	40109126	NEEDLEBARCRANKH				*		1	1.00
3		22958300		NEEDLE THREAD GUIDE PIN						1	
4	R	11091303	22970206	NEEDLE BAR						1	1.00
5		B1505552000A		PRESSER SPRING						1	
6		22962054		THREAD TENSION ASM.						1	
7	R	22962005	B3114232000	THREAD TENSION SPRING				*		1	1.00
8		11091006		ARM THREAD GUIDE (HA)						1	
9		11091204		ADJUST LINK SPRING						1	
10		B1403553000		NEEDLE BAR BUSHING, LOWER						1	
11		40023223		NEEDLE BAR THREAD GUIDE						1	
12		11091709		POSITIONING FINGER						1	
13		B1109555H0B		THROAT PLATE (H)						1	
14		B1613555H00		FEED DOG (H)						1	
15		B1213552000A		OIL ADJUSTING PIN						1	
16		11092459		LUBRICATING HOOK ASM.						1	
17		SS6080320SP		SCREW 1/8-44 L=2.5						1	
18		MC200501300		NEEDLE 134 NM130	FOR JE					1	
19		MDB100B2100		NEEDLE DBX1 #21						1	
20	R	D1524555EBL	D1524555ECL	PRESSER FOOT ASM.						1	1.00
21	R	11091907	22962203	FEED SPRING HOOK						1	1.00

EXCLUSIVE PARTS FOR DDL-5550NA



EXCLUSIVE PARTS FOR DDL-5550NA

No.	Supply Code	Parts No.	Replacement	Parts name	Remarks	Choice	Step	Level	Cons	Qty	Rep. QTY
1		11091857		LINK THREAD TAKE- -UP LEVER ASM.						1	
2		11091808		NEEDLEBARCRANKA				*		1	
3		MC200500650		NEEDLE 134 NM65	FOR JE					1	
4	R	11072006	22940506	FEED DIAL						1	1.00
5		B1613012I00		FEED DOG I						1	
6		22964001		BOBBIN A						1	
7		B1109012I0B		THROAT PLATE (I)						1	
8		11092558		HAND LIFTER CAM ASM.						1	
9		B1505227T00A		PRESSER SPRING T						1	
10		MDA100B0900		NEEDLE DAX1 #9						1	
11		40011503		THREAD TENSION ASM.						1	
12		40054784		THREAD TAKE-UP SPRING				*		1	
13	R	40054785	D3129555D00	THREAD TENSION SPRING				*		1	1.00



## HOW TO MAKE USE OF THIS PARTS LIST

### 1.Explanation of codes

1)"\*"mark.....means this part is changed from the previous parts book.

As to the details of the change, refer to the "List for information of change".

2)"#01".....refer to "Note" explanation at bottom of page.

### 2.Codes on the "Qty" column

- Each numeral indicates the number of parts required.
- "0.1" and "2.5" indicate the length (in meters) of the respective parts.

3.Parentheses mean that the corresponding part is a subpart that constructs an assembly part.

4.Dotted lines on the Figures indicate assembly parts.

### 1."注記"欄の記号説明

1) "\*"印.....前回のパーツブックに比較して今回変更された部品を意味します。

変更内容は、"変更情報リスト"を参照してください。

2) "#01".....ページ下の"注記"の説明を参照してください。

2.数量欄の数字は、個数を表し、0.1、2.5等の数値は、長さ（単位メートル）を表します。

3.数量欄の（ ）は、組部品を構成している子部品であることを意味します。

4.イラストページの-----枠は、組構成であることを意味します。

# NUMERICAL INDEX OF PARTS

PART NO	PAGE	REF NO.	PART NO	PAGE	REF NO.	PART NO	PAGE	REF NO.
11000304	2	2	22901250	2	41·51	22911101	12	13
11002409	6	20	22901300	2	43	22911309	12	22
11002508	6	21	22901409	8	1	22911408	12	1
11002904	6	28	22901805	4	49	22911507	12	2
11003308	2	9	22902753	4	41·51	22911606	12	4
11004207	8	26	22903009	6	31	22911705	12	5
11005204	6	7	22903108	6	15	22911804	12	7
11006004	10	28	22903157	6	10	22911903	12	10
11007309	10	8	22903207	6	25	22912000	12	9
11008604	12	26	22903306	6	27	22912109	12	8
11008703	12	25	22903900	6	32	22912257	12	19
11010311	12	17	22904155	6	23	22912604	14	64
11010410	12	20	22904155	14	66	22912752	14	59
11010709	14	65	22905004	8	23	22912901	12	39
11011400	14	12·58	22905103	8	25	22913008	14	62
11015906	8	39	22906002	8	3	22913701	12	38
11018207	10	18	22906101	8	2	22915003	12	15
11023017	18	2	22906200	8	8	22915151	12	45
11024700	18	3	22906309	8	10	22915201	14	48
11028172	10	16	22906457	8	4	22915359	14	68
11039062	6	5	22907307	10	30	22916001	8	31
11039070	6	4	22907406	10	27	22916100	8	35
11047057	18	1	22907505	10	26	22916308	8	27
11047107	18	4	22907554	10	24	22916407	8	32
11070851	2	1	22907604	10	25	22916506	8	40
11071362	6	29	22907703	10	36	22916555	8	38
11072006	26	4	22907802	10	1	22917058	8	36
11091006	24	8	22908008	10	7	22917157	8	29
11091204	24	9	22908156	10	5	22919203	6	3
11091303	24	4	22908305	10	9	22919559	6	2
11091600	24	2	22908354	10	4	22920003	10	22
11091659	24	1	22908552	10	10	22920102	10	23
11091709	24	12	22908701	10	11	22920300	10	21
11091808	26	2	22908800	10	14	22920409	10	19
11091857	26	1	22908909	10	12	22920508	2	21
11091907	24	21	22909006	10	15	22920607	2	37
11092459	24	16	22910004	6	18	22920706	2	17
11092558	26	8	22910053	6	16	22920805	8	7
11141108	8	43	22910103	6	34	22920904	2	34
11415205	4	47	22910251	12	12·58	22921001	2	22
22900401	2	8	22910350	12	43	22921209	2	29
22900609	2	18	22910459	12	27	22921308	2	24
22900757	2	4	22910806	12	23	22921407	2	25
22901003	2	45	22910905	12	24	22921506	2	28
22901201	2	42	22911002	12	40	22921605	2	30

## NUMERICAL INDEX OF PARTS

PART NO	PAGE	REF NO.	PART NO	PAGE	REF NO.	PART NO	PAGE	REF NO.
22921704	2	26	22931307	22	11	40090058	8	6
22921803	2	27	22931406	22	8	B1109012A00	2	35
22923007	16	19	22931703	18	27	B1109012I0B	26	7
22923056	16	16	22932107	18	8	B1109552000	2	46
22923205	16	22	22932156	18	7	B1109555H0B	24	13
22923304	16	17	22932206	18	15	B1213552000A	24	15
22923403	16	24	22932305	18	17	B1215552000	6	26
22923502	16	26	22932404	18	12	B13050120A0	8	14
22923601	16	25	22932453	18	11	B13061550A0	8	16
22923700	16	20	22932503	2	13	B13061550B0	8	13
22923809	16	23	22932552	2	12	B13061550C0	8	12
22923908	16	27	22932602	2	14	B13071550A0	8	19
22924005	16	29	22932701	2	15	B13071550B0	8	18
22924153	16	8	22932909	8	41	B13081550A0	8	21
22924302	16	9	22933402	20	2	B1403553000	24	10
22924401	16	3	22933451	20	1	B1408552000	6	8
22924500	16	11	22933501	20	3	B1505227T00A	26	9
22924609	16	5	22933600	20	5	B1505552000A	24	5
22924708	16	1	22933659	20	4	B1521555000	10	2
22924807	16	12	22933758	20	6	B15240120BA	10	35
22924906	16	14	22933907	20	7	B15245520BA	10	20
22925002	16	15	22934004	20	8	B1613012A00	12	33
22925101	16	7	22934202	18	20	B1613012I00	12	28
22927305	20	27	22934251	18	19	B1613012I00	26	5
22927354	20	13	22934301	18	21	B1613555H00	24	14
22927404	20	28	22934400	18	25	B1636581C00	14	52
22927602	20	29	22934509	18	23	B18301270A0	8	24
22928105	20	22	22934608	18	24	B18370120A0	8	42
22928303	20	21	22934707	18	13	B1903552000	6	9
22928402	20	20	22940654	14	55	B1905541B00	6	6
22928501	20	14	22940803	12	31	B8228125000	18	26
22928709	20	26	22941306	12	36	CM300200001	4	48
22928808	20	18	22945307	2	31	CM301300001	4	50
22928907	20	16	22945356	2	23	CQ252000000	16	10
22929004	20	17	22958300	24	3	D1524555EBL	24	20
22930309	22	14	22962005	24	7	MC200500650	26	3
22930358	22	1	22962054	24	6	MC200500900	8	34
22930408	22	10	22964001	26	6	MC200501300	24	18
22930507	22	9	22971857	12	35	MDA100B0900	26	10
22930556	22	15	40011503	26	11	MDB100B1400	8	11
22930705	22	7	40017805	10	29	MDB100B2100	24	19
22930804	22	5	40023223	24	11	NM6050001SE	22	17
22930903	22	4	40054784	26	12	NM6060001SE	18	18
22931000	22	3	40054785	26	13	NM6160511SE	22	18
22931109	22	2	40060989	10	33	NS6680410SP	12	42



## NUMERICAL INDEX OF PARTS

PART NO	PAGE	REF NO.	PART NO	PAGE	REF NO.
RC0150001KP	12	54	SS6090910SP	10	32
RC0150001KP	14	54	SS6110420TP	8	30
RC1850001KP	6	22	SS6110610TP	2	38
RE0500000K0	10	37	SS6111010TP	16	28
RE0500000K0	12	21	SS6121860SP	12	11
RE1000000K0	18	16	SS6661110SP	6	17
RO029180100	6	33	SS6700710SH	18	5
RO037180100	10	3	SS7080510TP	8	9
RO044240100	6	13	SS7081310SP	20	24
RO078190100	14	63	SS7091110TP	10	34
RO092270200	12	16	SS7110350SP	20	19
RO098240100	18	6	SS7110740TP	14	53
RO195240100	16	2	SS7111120SP	14	69
SD0380552SL	2	16	SS7120770SH	12	6
SD0490261SP	20	23	SS7121410TP	12	56
SD0720331SP	10	13	SS7121410TP	14	56
SD1000801SH	14	47	SS7121610SP	14	46
SE4301041SR	16	21	SS7681650TP	6	14
SK3412000SC	20	30	SS8090670SP	2	32
SL4030851SF	16	18	SS8110410TP	8	37
SM4051405SE	22	12	SS8110510SP	20	25
SM6061610SC	22	6	SS8150710TP	2	33
SM8061010TP	14	60	SS8150710TP	12	29
SM8061050TP	14	61	SS8151150TP	6	1
SM8063012TR	18	10	SS8151550SP	6	30
SM9061203SE	18	22	SS8660610TP	6	24
SM9062563TR	18	14	SS8660610TP	14	67
SS2110920TP	2	36	SS8660810TP	8	22
SS4080620TP	12	34	SS8660810TP	10	31
SS4090615SP	6	19	SS8681650TP	6	11
SS4110515SP	12	37	TA0850604R0	2	5
SS4110515SP	20	15	TA1250406R0	2	39
SS4110915TP	8	33	TA1250705R0	2	6
SS4120615SP	2	20	TA2000502R0	2	10
SS4120615SP	16	6	TA2101002R0	2	11
SS4120915SP	2	40	WP0450826SC	20	31
SS4120915SP	8	28	WP0480856SP	14	57
SS4121415SP	20	9	WP0501016SD	20	10
SS4150915SP	16	13	WP1612616SE	22	19
SS6060210SP	2	44	WS0510002KN	22	16
SS6080320SP	24	17	WS1643202KR	22	20
SS6080410SP	2	3			
SS6090620TP	12	41			
SS6090670TP	8	5			
SS6090670TP	12	3			