

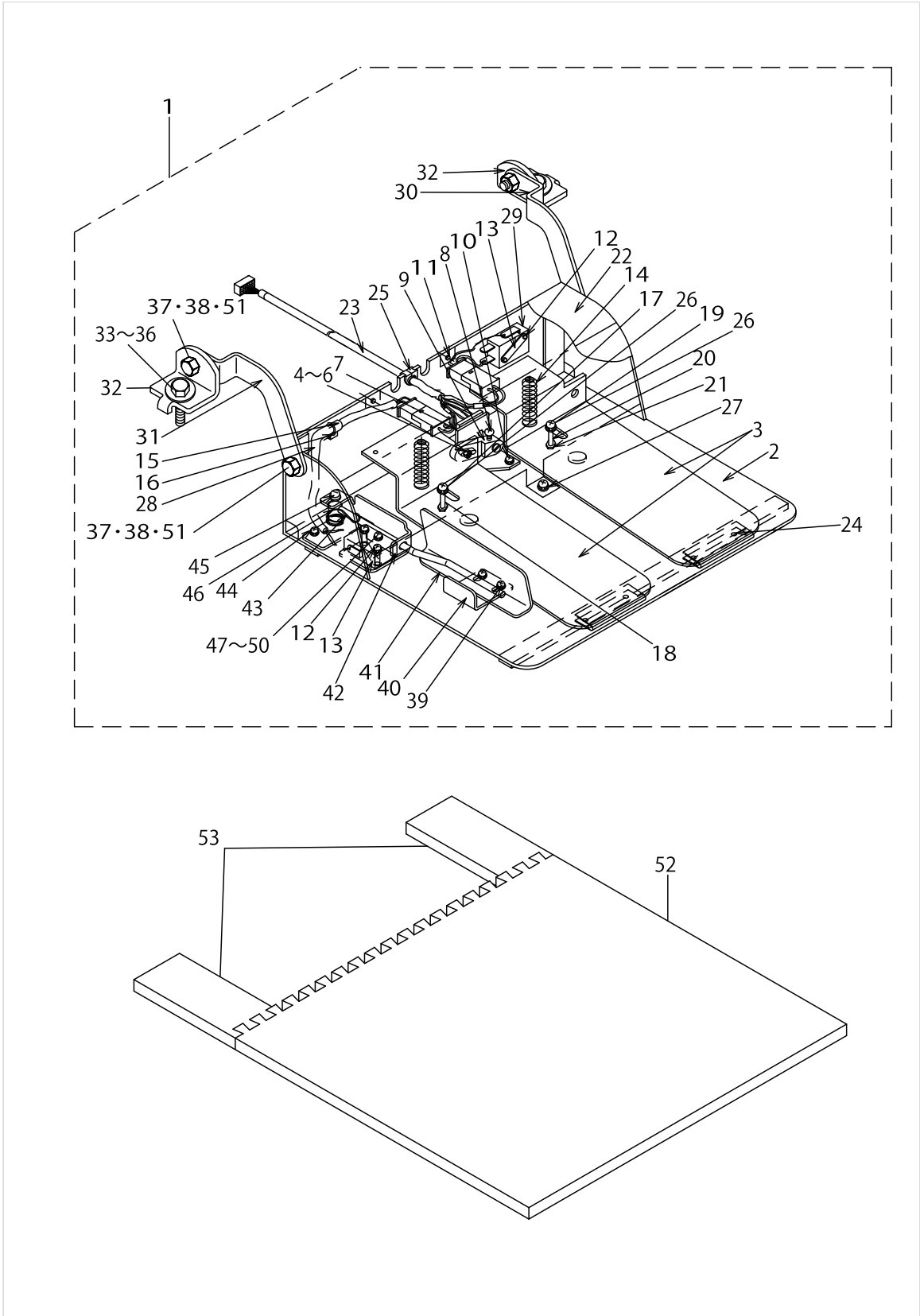
MODEL : PK71
List No : 0934-01

PARTS LIST

Published:05/12/2017

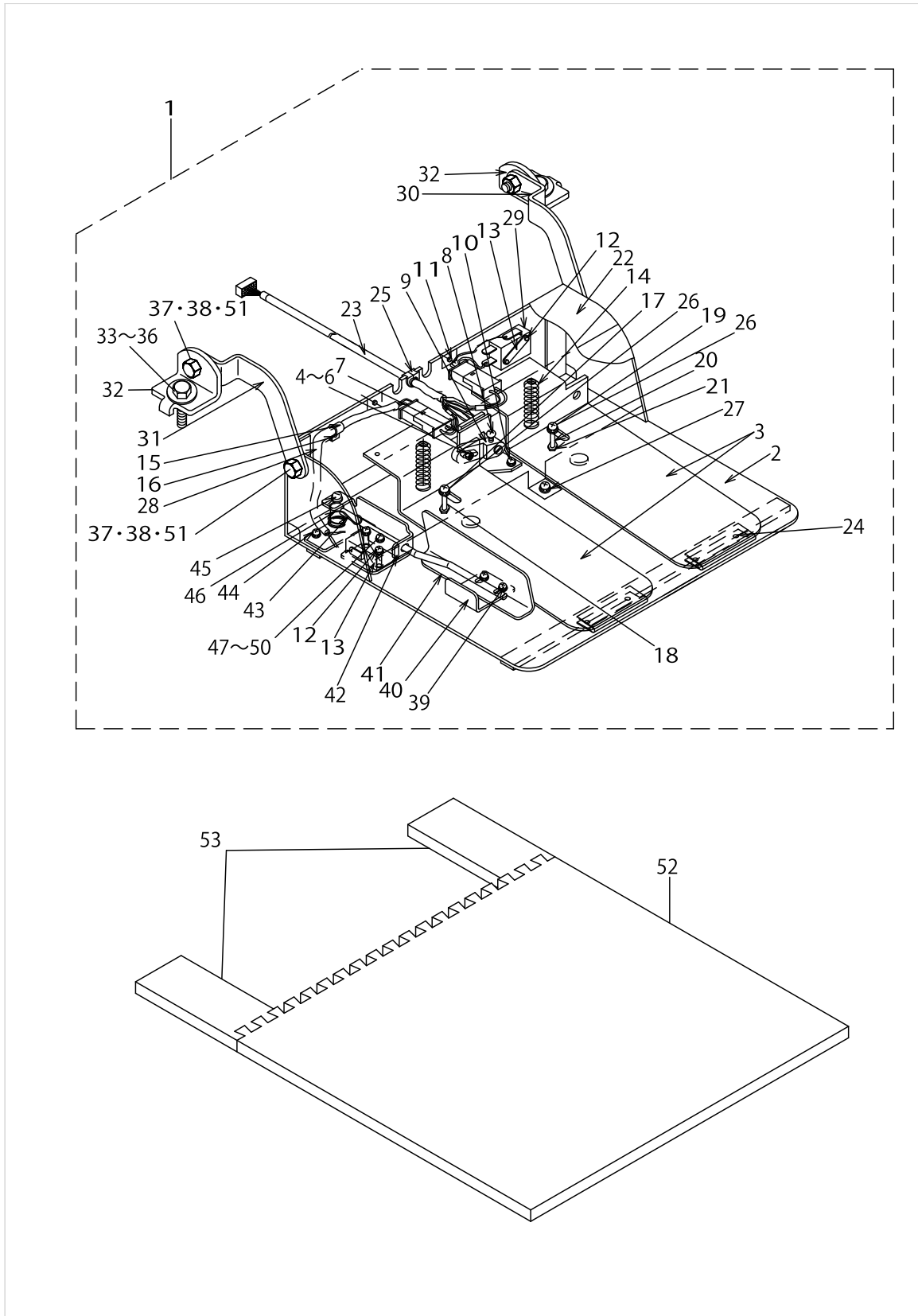
CONTENTS

PK71	1
HOW TO MAKE USE OF THIS PARTS LIST	5



PK71

No.	Supply Code	Parts No.	Replacement	Parts name	Remarks	Choice	Step	Level	Cons	Qty	Rep. QTY
1		GPK710010A0		2-PEDAL ASM., 71						1	
2		GPK710020A0		PEDAL BASE ASM., 71				*		1	
3		GPK260030AA		PEDAL				*		2	
4		GPK12005000		PEDAL LINK PIN				*		1	
5		NM6040001SC		NUT M4				*		1	
6		NM6040003SC		NUT M4				*		1	
7		GPK12006000		VOLUME INSTALLING PLATE				*		1	
8		SM4030801SN		SCREW M3 L=8				*		1	
9		M2004110000		VOLUME LINK				*		1	
10		SL4030681SC		SCREW M3 L=6				*		2	
11		SL4040691SC		SCREW M4 L=6				*		3	
12		SL4031691SC		SCREW M3 L=16				*		4	
13	R	11102308	22954408	MICRO SWITCH PLATE				*		2	1.00
14		GPK14013000		PEDAL SPRING				*		2	
15		HX001230000		CABLE CLIP				*		1	
16		SL4040881SC		SCREW M4 L=8				*		1	
17		SL4043091SC		SCREW M4 L=30				*		1	
18		GPK26027000		VIRIABLE PEDAL GUIDE COLLAR				*		1	
19		SL4042591SC		SCREW M4 L=25				*		1	
20		GPK26026000		SWITCH PEDAL GUIDE COLLAR				*		1	
21		NM6040003SC		NUT M4				*		2	
22		GPK260060AA		SWITCH COVER 26W				*		1	
23		GPK700050A0		SENSOR VOLUME ASM.				*		1	
24		SM1030501SC		SCREW M3 L=5				*		4	
25		GPK26023000		BUSH A				*		1	
26		GHP03537000		WASHER				*		2	
27		WP0430801SC		WASHER 4.3X9X0.8				*		1	
28		GPK710040A0		LEFT SWITCH ASM., 71				*		1	
29		GPK700030A0		SWITCH ASM., RIGHT				*		1	
30		GPK1800600AA		PEDAL BASE JOINT, RIGHT				*		1	
31		GPK1800700AA		PEDAL BASE JOINT, LEFT				*		1	
32		11159001		PEDAL SHAFT BRACKET				*		2	
33		SM9082023SE		SCREW M8 L=20				*		2	
34		WP0871602SE		WASHER 8.7X18X1.6				*		4	
35		WS0861410KR		SPRING WASHER 8.6X15X1.4				*		2	
36		NM6080721SE		NUT M8				*		2	
37		SM9081620SE		SCREW M8 L=16				*		4	
38		NM6080002SE		NUT M8				*		4	
39		SL4040891SC		SCREW M4 L=8				*		2	
40		GPK2600800A		THREAD CUTTER S- WITCH STOPPER,W				*		1	
41		GPK2600700A		THREAD CUTTER S- WITCH LEVER, W				*		1	
42		GPK26009000		SWITCH BASE				*		1	
43		GPK26011000		SWITCH SPRING				*		1	
44		SL4040891SC		SCREW M4 L=8				*		1	
45		SS4111215SP		SCREW 11/64-40L=12				*		1	



PK71

No.	Supply Code	Parts No.	Replacement	Parts name	Remarks	Choice	Step	Level	Cons	Qty	Rep. QTY
46		GPK26010000		SWITCH SHAFT				*		1	
47		SM4041201SC		SCREW M4 L=12				*		1	
48		GPK26028000		SWITCH BASE COLLAR				*		1	
49		WP0430801SC		WASHER 4.3X9X0.8				*		1	
50		NM6040003SC		NUT M4				*		1	
51		GPK26022000		JOINT FITTING COLLAR				*		4	
52		GPK26100000		MAT A						1	
53		GPK26101000		MAT B						2	

HOW TO MAKE USE OF THIS PARTS LIST

1.As to "#01" and "#02" refer to the "Note" given at the bottom of the respective pages.

2.Codes on the "Qty" column

- Each numeral indicates the number of parts required.
- "0.1" and "2.5" indicate the length (in meters) of the respective parts.

3.Parentheses mean that the corresponding part is a subpart that constructs an assembly part.

4.Dotted lines on the Figures indicate assembly parts.

1. リストページの# 0 1、# 0 2の印は、ページ下の"注記"の説明を参照下さい。
2. 数量欄の数字は、個数を表し、0. 1、2. 5等の数値は、長さ（単位メートル）を表します。
3. 数量欄の（ ）は、組部品を構成している子部品であることを意味します。
4. イラストページの-----枠は、組構成であることを意味します。

NUMERICAL INDEX OF PARTS

PART NO	PAGE	REF NO.	PART NO	PAGE	REF NO.
11102308	2	13	SM9082023SE	2	33~36
11159001	2	32	SS4111215SP	2	45
GHP03537000	2	26	WP0430801SC	2	47~50
GPK12005000	2	4~6	WP0430801SC	4	47~50
GPK12006000	2	7	WP0871602SE	2	33~36
GPK14013000	2	14	WS0861410KR	2	33~36
GPK1800600AA	2	30			
GPK1800700AA	2	31			
GPK260030AA	2	3			
GPK260060AA	2	22			
GPK2600700A	2	41			
GPK2600800A	2	40			
GPK26009000	2	42			
GPK26010000	4	46			
GPK26011000	2	43			
GPK26022000	4	37·38·51			
GPK26023000	2	25			
GPK26026000	2	20			
GPK26027000	2	18			
GPK26028000	4	47~50			
GPK26100000	4	52			
GPK26101000	4	53			
GPK700030A0	2	29			
GPK700050A0	2	23			
GPK710010A0	2	1			
GPK710020A0	2	2			
GPK710040A0	2	28			
HX001230000	2	15			
M2004110000	2	9			
NM6040001SC	2	4~6			
NM6040003SC	2	47~50			
NM6040003SC	4	47~50			
NM6080002SE	2	37·38·51			
NM6080721SE	2	33~36			
SL4030681SC	2	10			
SL4031691SC	2	12			
SL4040691SC	2	11			
SL4040881SC	2	16			
SL4040891SC	2	44			
SL4042591SC	2	19			
SL4043091SC	2	17			
SM1030501SC	2	24			
SM4030801SN	2	8			
SM4041201SC	4	47~50			
SM9081620SE	2	37·38·51			