

MODEL : AK88/AK89

List No : 1003-00

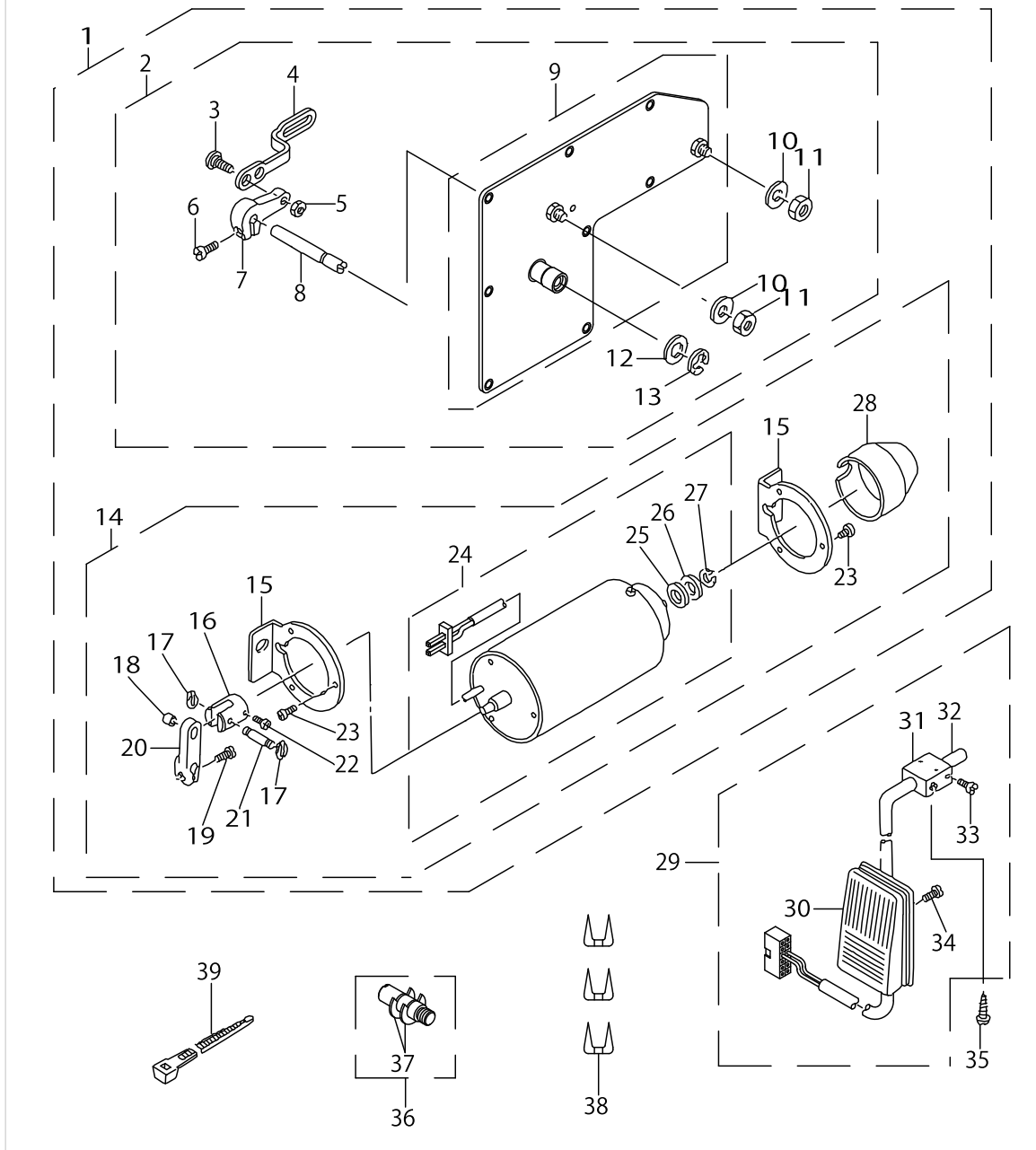
PARTS LIST

Published:05/12/2017

CONTENTS

AK88,AK89.....	1
HOW TO MAKE USE OF THIS PARTS LIST	3

TABLE OF UNIT COMBINATIONS		
ユニット組み合わせ表		
AK-88 (GAK880010AA)	○	○
AK-89 (GAK890010AA)	○	○



AK88,AK89

No.	Supply Code	Parts No.	Replacement	Parts name	Remarks	Choice	Step	Level	Cons	Qty	Rep. QTY
1		GAK880100AA		AK" DEVICE ASM.						1	
2		GAK880200BA		SIDE PLATE ASM. B				*		1	
3		SD0800352SP		HINGE SCREW D= 8 H= 3.5				*		1	
4		GAK88026000		SOLENOID LINK				*		1	
5		NS6150310SP		NUT 15/64-28				*		1	
6		SS6121210SP		SCREW 3/16-28 L=12				*		1	
7		GAK33027000		SOLENOID ARM				*		1	
8	R	GAK33028000	22991400	SOLENOID SHAFT				*		1	1.00
9		GAK880200AA		SIDE PLATE ASM.A				*		1	
10		WP0621036SP		WASHER				*		2	
11		NS6150430SP		NUT 15/64-28				*		2	
12		WP1021016SD		WASHER				*		1	
13		RE0700000K0		SNAP RING 7				*		1	
14	R	GAK820300BA	40101423	AK"SOLENOIDASM.B				*		1	1.00
15	D	GAK33034000		SOLENOID BASE				*		2	
16		GAK33035000		SOLENOID COLLAR				*		1	
17	R	GAK33014000	RE0400000KP	SNAP RING				*		2	1.00
18		GAK33013000		SOLENOID PIN COLLAR				*		1	
19		SS6121210SP		SCREW 3/16-28 L=12				*		1	
20		GAK33011000		SOLENOID ARM, A				*		1	
21		GAK33012000		SOLENOID PIN				*		1	
22		SS4110915SP		SCREW 11/64-40 L=9				*		1	
23		SS4120915SP		SCREW 3/16-28 L=9				*		6	
24	R	GAK820300AA	40101423	AK"SOLENOIDASM.A				*		1	1.00
25		GAK33031000		SOLENOIDRUBBER,A				*		1	
26		WP1052000SC		WASHER 10.5X18X2				*		1	
27		RC0931011KP		RETAINING RING				*		1	
28		GAK3303600A		SOLENOID COVER				*		1	
29		GAK840900B0		LIFTER KNEE SWITCH ASM. B						1	
30	D	GAK840900A0		KNEE SWITCH ASM. A				*		1	
31		MAT80230T00		KNEE SWITCH SUPPORT BASE				*		2	
32		MAT80231T00		DRIVING BAR, T002				*		1	
33		SS6151220SP		SCREW 15/64-28 L=11.5				*		4	
34	R	SS7111410SP	SS7111410TP	SCREW11/64-40L=14				*		2	1.00
35	R	SK3514000SC	SK3514001SE	WOOD SCREW D=5.1 L=40						2	1.00
36		GAK880400A0		SHAFT PIN ASM.						1	
37		RE0500000K0		E-RING						2	
38		MAO11532000		CORD STAPLE						3	
39		HX000430000		CLIP						1	

HOW TO MAKE USE OF THIS PARTS LIST

1.As to "#01" and "#02" refer to the "Note" given at the bottom of the respective pages.

2.Codes on the "Qty" column

- Each numeral indicates the number of parts required.
- "0.1" and "2.5" indicate the length (in meters) of the respective parts.

3.Parentheses mean that the corresponding part is a subpart that constructs an assembly part.

4.Dotted lines on the Figures indicate assembly parts.

1. リストページの# 0 1、# 0 2の印は、ページ下の"注記"の説明を参照下さい。
2. 数量欄の数字は、個数を表し、0. 1、2. 5等の数値は、長さ（単位メートル）を表します。
3. 数量欄の（ ）は、組部品を構成している子部品であることを意味します。
4. イラストページの-----枠は、組構成であることを意味します。

NUMERICAL INDEX OF PARTS

PART NO	PAGE	REF NO.
GAK33011000	2	20
GAK33012000	2	21
GAK33013000	2	18
GAK33014000	2	17
GAK33027000	2	7
GAK33028000	2	8
GAK33031000	2	25
GAK33034000	2	15
GAK33035000	2	16
GAK3303600A	2	28
GAK820300AA	2	24
GAK820300BA	2	14
GAK840900A0	2	30
GAK840900B0	2	29
GAK880100AA	2	1
GAK880200AA	2	9
GAK880200BA	2	2
GAK88026000	2	4
GAK880400A0	2	36
HX000430000	2	39
MAO11532000	2	38
MAT80230T00	2	31
MAT80231T00	2	32
NS6150310SP	2	5
NS6150430SP	2	11
RC0931011KP	2	27
RE0500000K0	2	37
RE0700000K0	2	13
SD0800352SP	2	3
SK3514000SC	2	35
SS4110915SP	2	22
SS4120915SP	2	23
SS6121210SP	2	19
SS6151220SP	2	33
SS7111410SP	2	34
WP0621036SP	2	10
WP1021016SD	2	12
WP1052000SC	2	26