

MODEL : LU-562N/LU-563N

List No : 1025-00

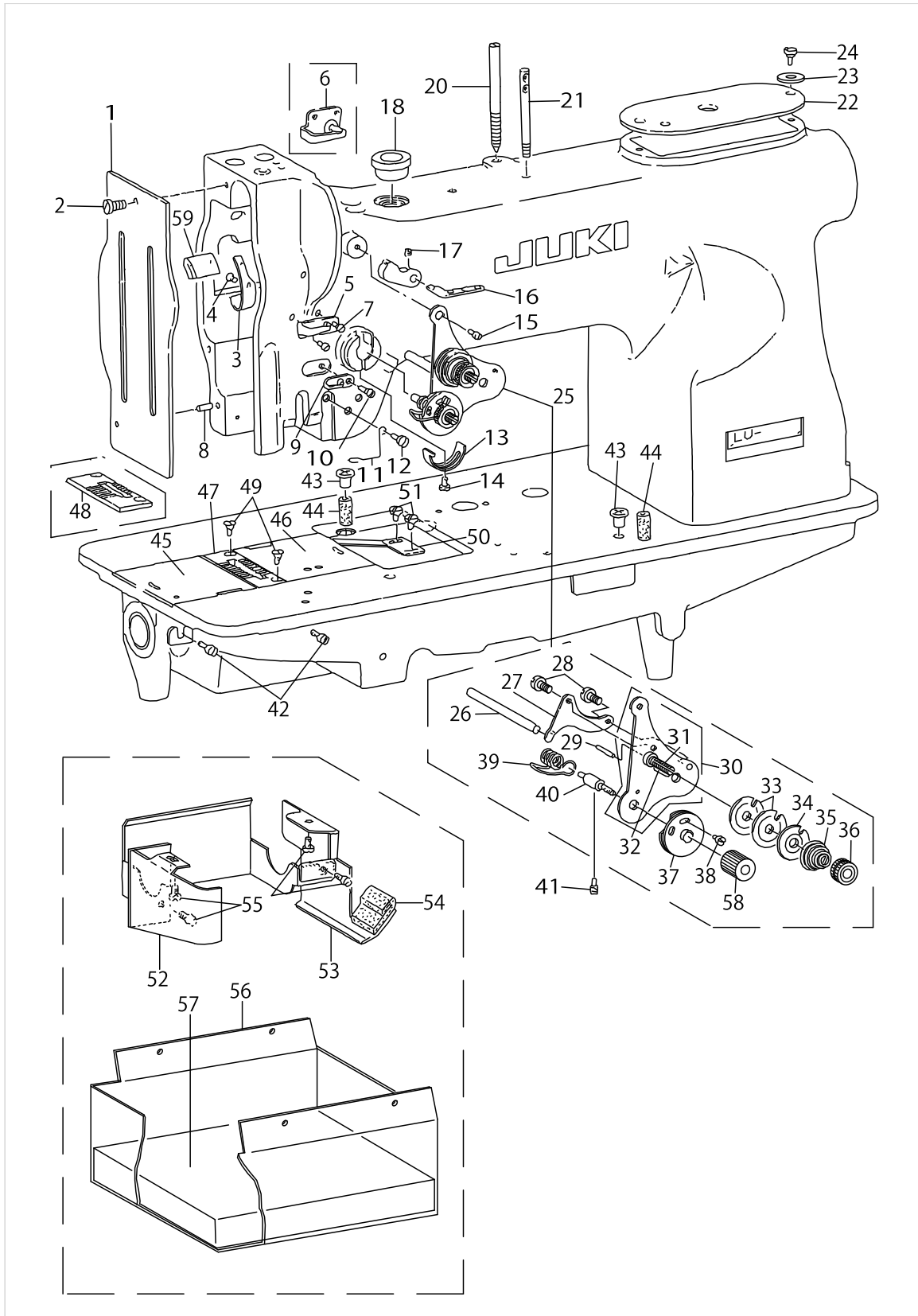
PARTS LIST

Published:05/12/2017

CONTENTS

MACHINE HEAD & MISCELLANEOUS COVER COMPONENTS	1
UPPER MAIN SHAFT & THREAD TAKE-UP COMPONENTS	5
SEWING HOOK & SHAFT COMPONENTS	9
NEEDLE BAR & WALKING FOOT COMPONENTS	13
PRESSER BAR & FEED ROCK SHAFT COMPONENTS	17
REVERSE FEED CONTROL LEVER COMPONENTS	21
SAFETY CLUTCH MECHANISM,KNEE LIFTER COMPONENTS	25
BELT COVER COMPONENTS(SPECIAL ORDER PARTS)	29
ATTACHMENTS COMPONENTS.....	31
OPTION PARTS COMPONENTS.....	32
HOW TO MAKE USE OF THIS PARTS LIST	33

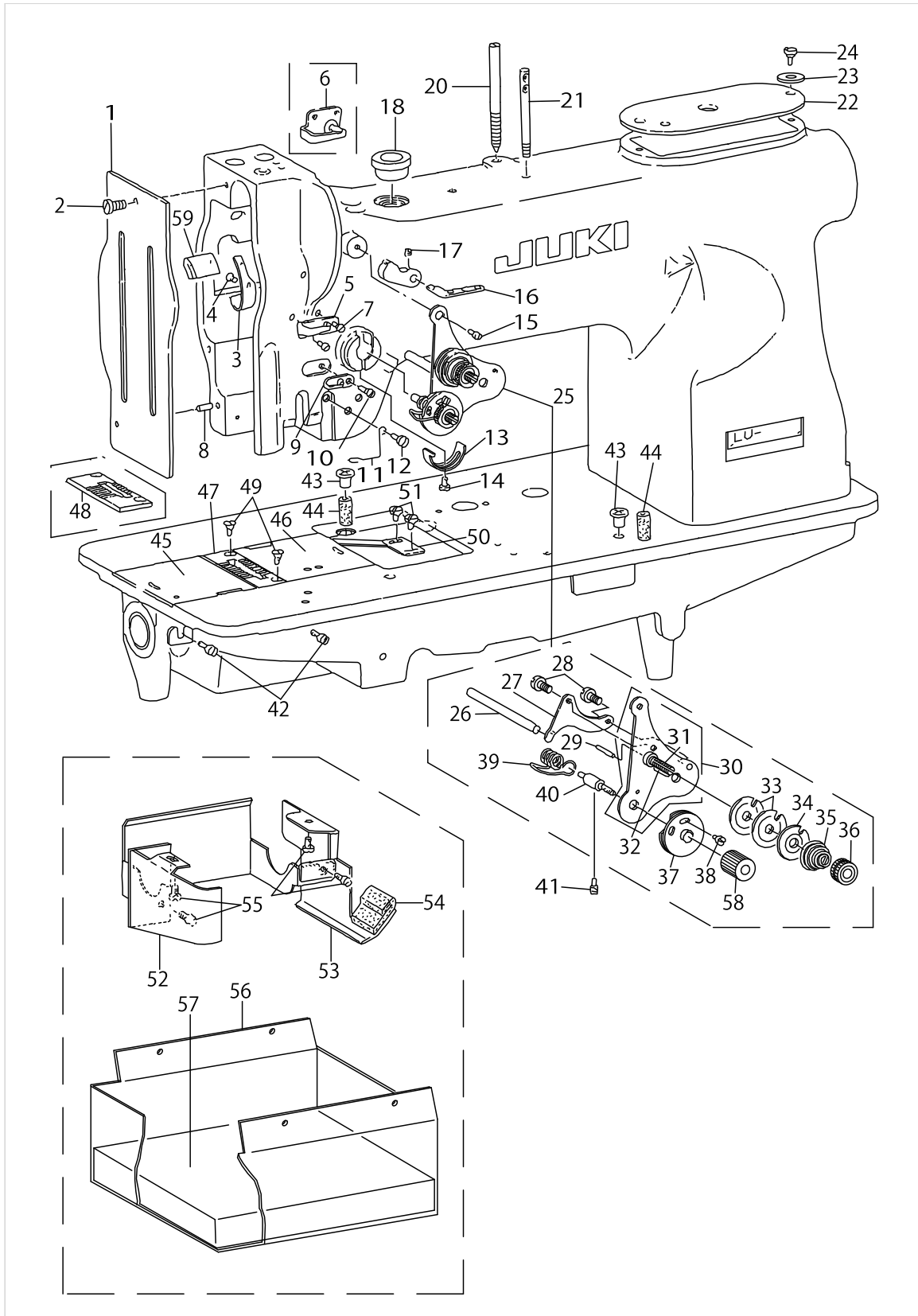
MACHINE HEAD & MISCELLANEOUS COVER COMPONENTS



MACHINE HEAD & MISCELLANEOUS COVER COMPONENTS

No.	Supply Code	Parts No.	Replacement	Parts name	Remarks	Choice	Step	Level	Cons	Qty	Rep. QTY
1		B3101053000		FACE PLATE						1	
2		SS7090610SP		SCREW 9/64-40 L=6						1	
3		B1140051000		TAKE-UP OIL SPLASHER						1	
4		SS3090610SP		SCREW 9/64-40 L=6						1	
5		B1129051000		FRAME THREAD GUIDE, UPPER	FOR LU-562N					1	
6		B1129563000		FRAME THREAD GUIDE, UPPER	FOR LU-563N					1	
7	R	SS2090710SP	SS2090710TP	SCREW 9/64-40 L=7						2	1.00
8		B1103051000		FACE PLATE PIN						1	
9		B1130051000		FRAME THREAD GUIDE, MIDDLE						1	
10	R	SS2090710SP	SS2090710TP	SCREW 9/64-40 L=7						1	1.00
11		B1131562000		FRAME THREAD GUIDE, LOWER						1	
12		SS3090610SP		SCREW 9/64-40 L=6						1	
13		B3138512000		TAKE-UP SPRING A-DJUSTING PLATE						1	
14	R	SS7090520SP	SS7090520TP	SCREW 9/64-40 L=4.5						1	1.00
15		SS7110720SP		SCREW 11/64-40 L=7						1	
16		B1128522000		THREE HOLE THREAD EYELET						1	
17	R	SS8110510SP	SS8110520TP	SCREW 11/64-40 L=5						1	1.00
18		B1156115000		RUBBER PLUG						1	
19		B1155053000		OIL CUP						1	
20	D	B1509051000		ADJUSTING SCREW						1	
21	R	B1114012000	22958300	THREAD GUIDE PIN						1	1.00
22		B1150563000		TOP COVER						1	
23		B1152051000		WASHER						1	
24		SD0630241SD		HINGE SCREW D= 6.30 H= 2.4						1	
25		B31210530A0		TENSION CONTROL-LER BASE ASM.						1	
26		B3122053000		TENSION RELEASE BAR				*		1	
27	D	B3134051000		TENSION RELEASE LEVER				*		1	
28		SD0470281SP		HINGE SCREW D=4.7 H=2.8				*		2	
29		B3127051000		TENSION RELEASE PIN, SHORT				*		1	
30	D	B31240510A0		TESION STUD ASM.				*		1	
31		B3124051000		TENSION STUD				*		1	
32		PS0200122K0		SPRING PIN 2.0X12				*		1	
33		B3126051000		TENSION DISC				*		2	
34		B3132051000		TENSION DISC HOLDER				*		1	
35		B3129053000		TENSION SPRING				*		1	
36	R	B3125012000	22928808	THREAD TENSION NUT				*		2	1.00
37		B31370510A0		TAKE-UP SPRING GUIDE DISC ASM.				*		1	
38	R	SS4080610SP	SS4080620TP	SCREW 1/8-44 L=6.4				*		1	1.00
39		B3128051000		THREAD TAKE-UP SPRING, A				*		1	
40		B3123051000		TAKE-UP SPRING STUD				*		1	
41		SS8111251SP		SCREW 11/64-40 L=12.0						1	
42		SS7110510SP		SCREW 11/64-40 L=5	FOR LU-562N					2	
43		B1156115000		RUBBER PLUG						1	
44	D	B1132562000		OIL FELT						1	
45		B1112053000A		BED SLIDE,LEFT						1	

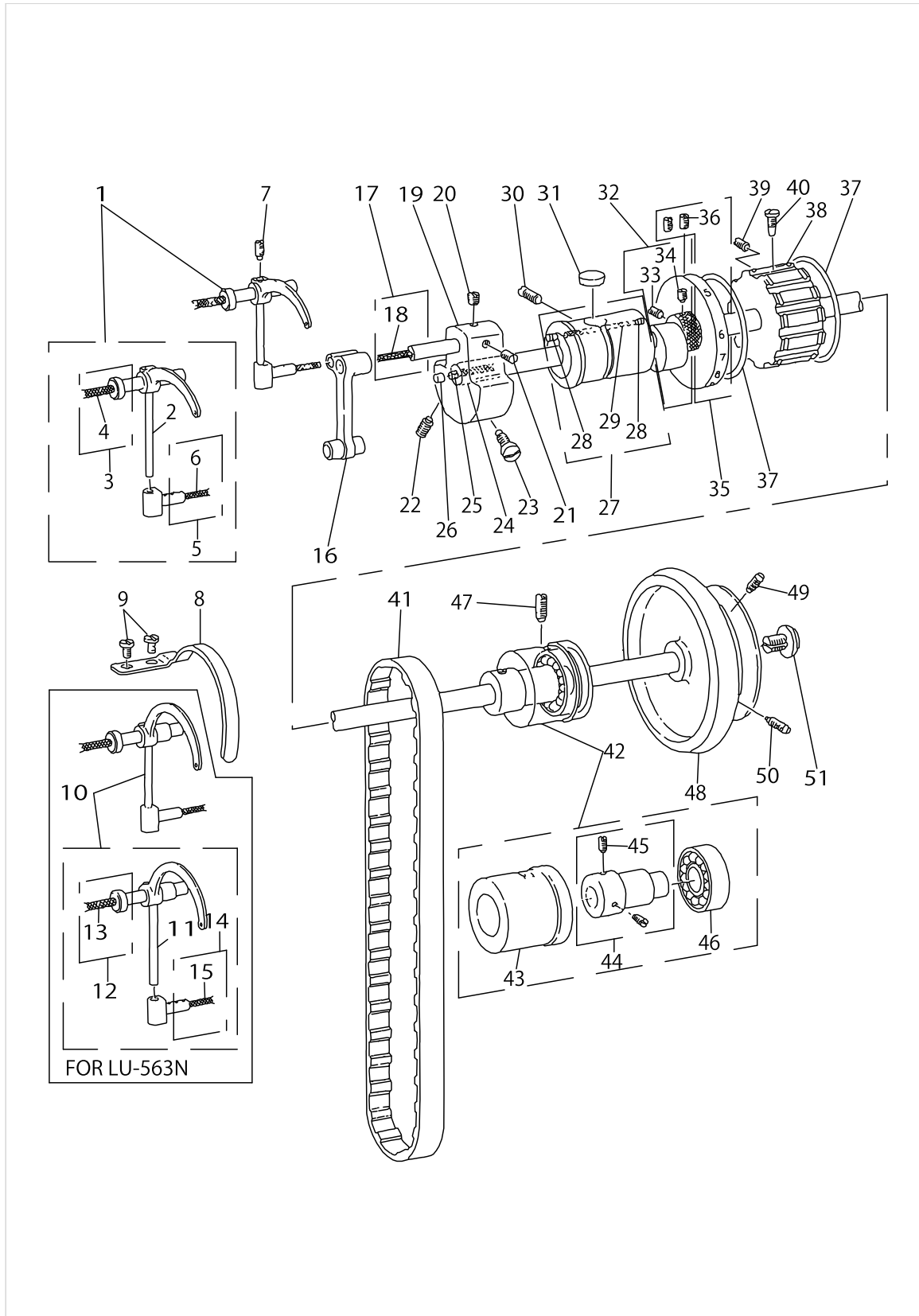
MACHINE HEAD & MISCELLANEOUS COVER COMPONENTS



MACHINE HEAD & MISCELLANEOUS COVER COMPONENTS

No.	Supply Code	Parts No.	Replacement	Parts name	Remarks	Choice	Step	Level	Cons	Qty	Rep. QTY
46	D	B1113053000A		BED SLIDE, RIGHT						1	
47	D	B1109562000		THROAT PLATE	FOR LU-562N					1	
48		B1109053000A		THROAT PLATE	FOR LU-563N					1	
49		SS2110920TP		SCREW 11/64-40 L=8.5						2	
50		B1111563000		BED SLIDE SPRING						1	
51		SS7110510SP		SCREW 11/64-40 L=5						2	
52	D	B1838563000		OIL SHIELD, (A)	FOR LU-563N					1	
53		B1844563000		OIL SHIELD, (B)	FOR LU-563N					1	
54		B1846563000		OIL DRIP FELT	FOR LU-563N					1	
55		SS7110510SP		SCREW 11/64-40 L=5	FOR LU-563N					4	
56		B1839563000		OIL RECEIVING COVER	FOR LU-563N					1	
57		B1841563000		OIL DRIP FELT	FOR LU-563N					1	
58		10320208		THRED TENSION STUD NUT						1	
59		B1846563000		OIL DRIP FELT						1	

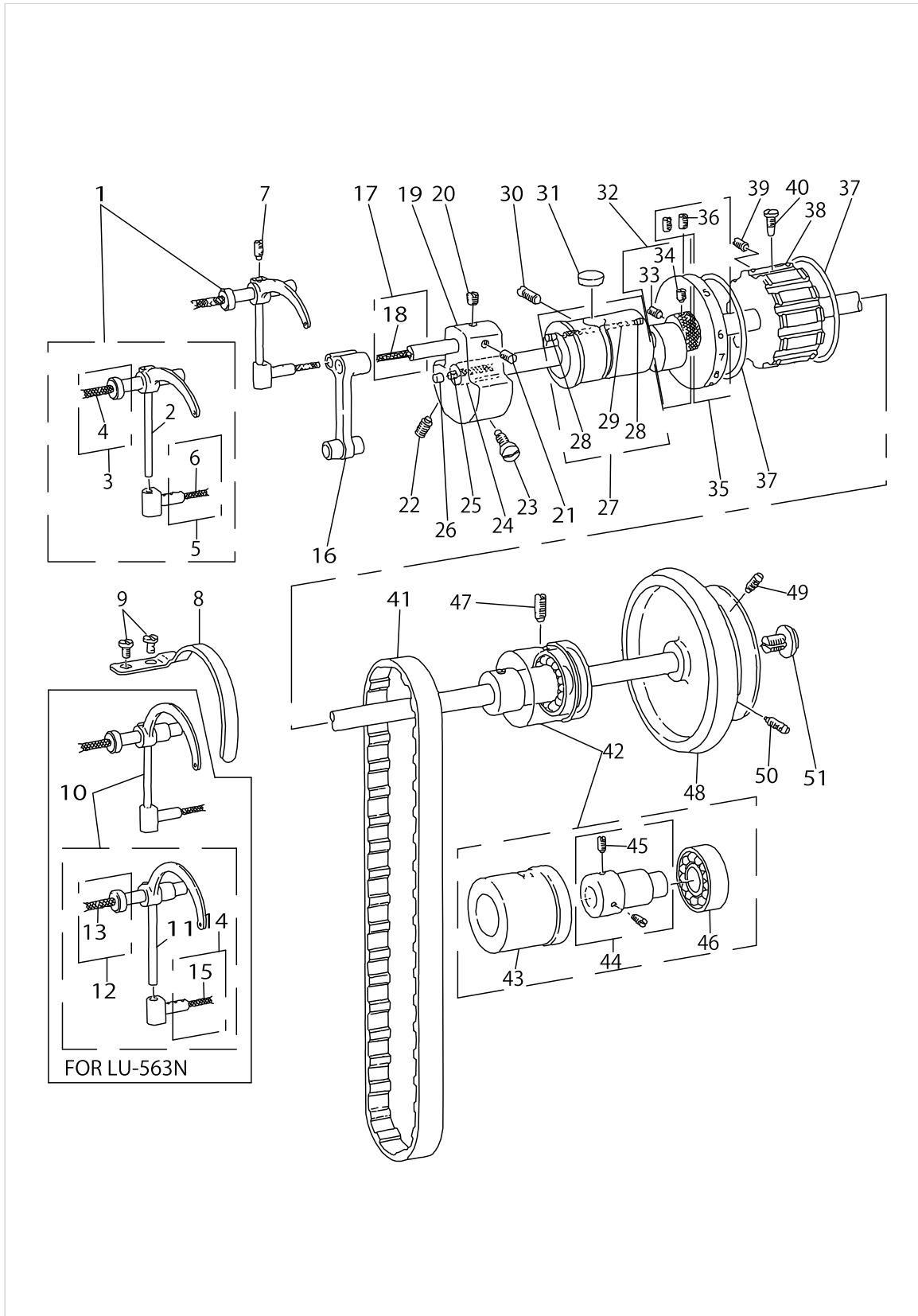
UPPER MAIN SHAFT & THREAD TAKE-UP COMPONENTS



UPPER MAIN SHAFT & THREAD TAKE-UP COMPONENTS

No.	Supply Code	Parts No.	Replacement	Parts name	Remarks	Choice	Step	Level	Cons	Qty	Rep. QTY
1	D	B19050530B0		THREAD TAKE-UP LEVER ASM.	FOR LU-562N					1	
2		B1905053000		THREAD TAKE-UP	FOR LU-562N			*		1	
3		B19060510A0		TAKE-UP LEVER PIN ASM.	FOR LU-562N			*		1	
4		CQ202000000		OIL WICK	FOR LU-562N			*		0.1	
5		B19070510A0		TAKE-UP LEVER T-HRUST PIN ASM.	FOR LU-562N			*		1	
6		CQ202000000		OIL WICK	FOR LU-562N			*		0.1	
7	R	SS8151150SP	SS8151150TP	SCREW 15/64-28 L=10.5						1	1.00
8	D	B1158563000		THREAD TAKE-UP LEVER COVER	FOR LU-563N					1	
9		SS7150740SP		SCREW 15/64-28 L=7	FOR LU-563N					1	
10		B19055630B0		THREAD TAKE-UP LEVER ASM.	FOR LU-563N					1	
11		B1905563000		THREAD TAKE-UP LEVER ASM.	FOR LU-563N			*		1	
12		B19060510A0		TAKE-UP LEVER PIN ASM.	FOR LU-563N			*		1	
13		CQ202000000		OIL WICK	FOR LU-563N			*		0.1	
14		B19070510A0		TAKE-UP LEVER T-HRUST PIN ASM.	FOR LU-563N			*		1	
15		CQ202000000		OIL WICK	FOR LU-563N			*		0.1	
16		B1408051000		NEEDLE BAR CRANK ROD						1	
17		B12100510A0		NEEDLE BAR CRANK PIN ASM.						1	
18		CQ202000000		OIL WICK				*		0.1	
19		B1206051000		COUNTERWEIGHT						1	
20		SS8680540SP		SCREW 9/32-28 L=4.5						1	
21		SS8680730SP		SCREW 9/32-28 L=7						1	
22		SS8681650TP		SCREW 9/32-28 L=16						1	
23		SS7681750TP		SCREW 9/32-28 L=16.5						1	
24	D	D1201055B00		MAIN SHAFT						1	
25		CQ303000000		OIL WICK						.1	
26		TA0500601M0		PLUG D=5X5.4 L=6						1	
27		B12020510A0		MAIN SHAFT BUSHING, FRONT ASM.						1	
28		B1230051000		LEATHER PLUG				*		2	
29		CQ202000000		OIL WICK				*		0.1	
30	R	SS8151150SP	SS8151150TP	SCREW 15/64-28 L=10.5						1	1.00
31		B1203051000		OIL FELT						1	
32		D1450055BA0		TOP FEED CAM ASM.						1	
33		SS8660530TP		SCREW 1/4-40 L=4.5				*		1	
34		SS8661040TP		SCREW 1/4-40 L=10				*		1	
35		B12205620A0		STITCH DIAL ASM						1	
36		SS8151230SP		SCREW 15/64-28 L=12				*		2	
37		B1214019000		SPROCKET RING						2	
38		B1302051000		SPROCKET WHEEL, UPPER						1	
39		SS8681950SP		SCREW 9/32-28 L=19						1	
40		SS7681750TP		SCREW 9/32-28 L=16.5						1	
41	D	B1301051000		TIMING BELT						1	
42		B12160510A0		MAIN SHAFT BUSHING ASM., REAR						1	
43		B1216051000		MAIN SHAFT BUSHING 1, REAR				*		1	
44		B12170510A0		MAIN SHAFT BUSHING, REAR ASM.				*		1	
45	R	SS8150710SP	SS8150710TP	SCREW 15/64-28 L=7				*		2	1.00

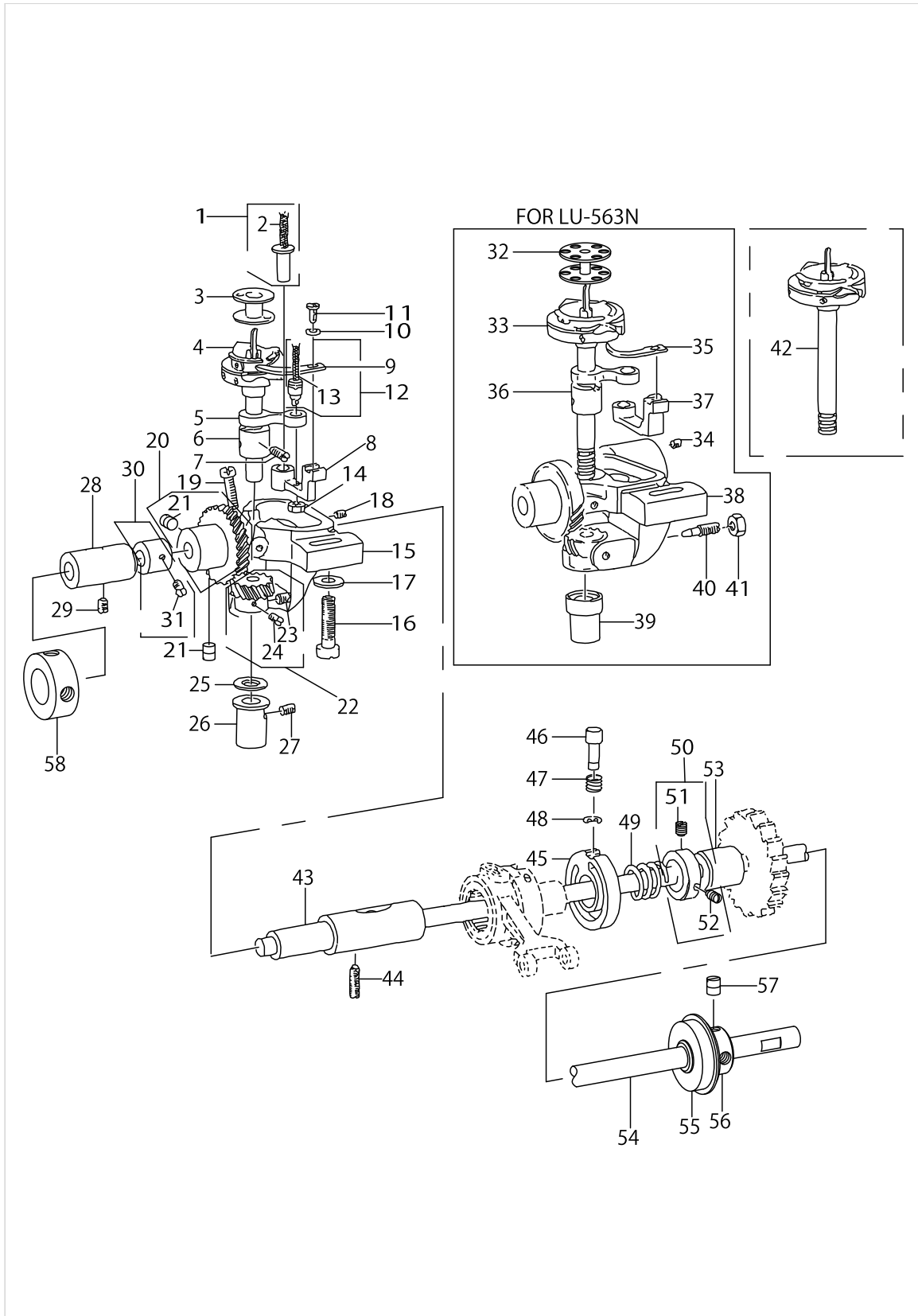
UPPER MAIN SHAFT & THREAD TAKE-UP COMPONENTS



UPPER MAIN SHAFT & THREAD TAKE-UP COMPONENTS

No.	Supply Code	Parts No.	Replacement	Parts name	Remarks	Choice	Step	Level	Cons	Qty	Rep. QTY
46		SB115000200		BEARING				*		1	
47	R	SS8151150SP	SS8151150TP	SCREW 15/64-28 L=10.5						1	1.00
48	D	B1227053000		HAND WHEEL						1	
49		SS8152030SP		SCREW 15/64-28 L=20						1	
50		SS8151780SP		SCREW 15/64-28 L=17.0						1	
51		SS7701010SP		SCREW 5/16-24 L=10						1	

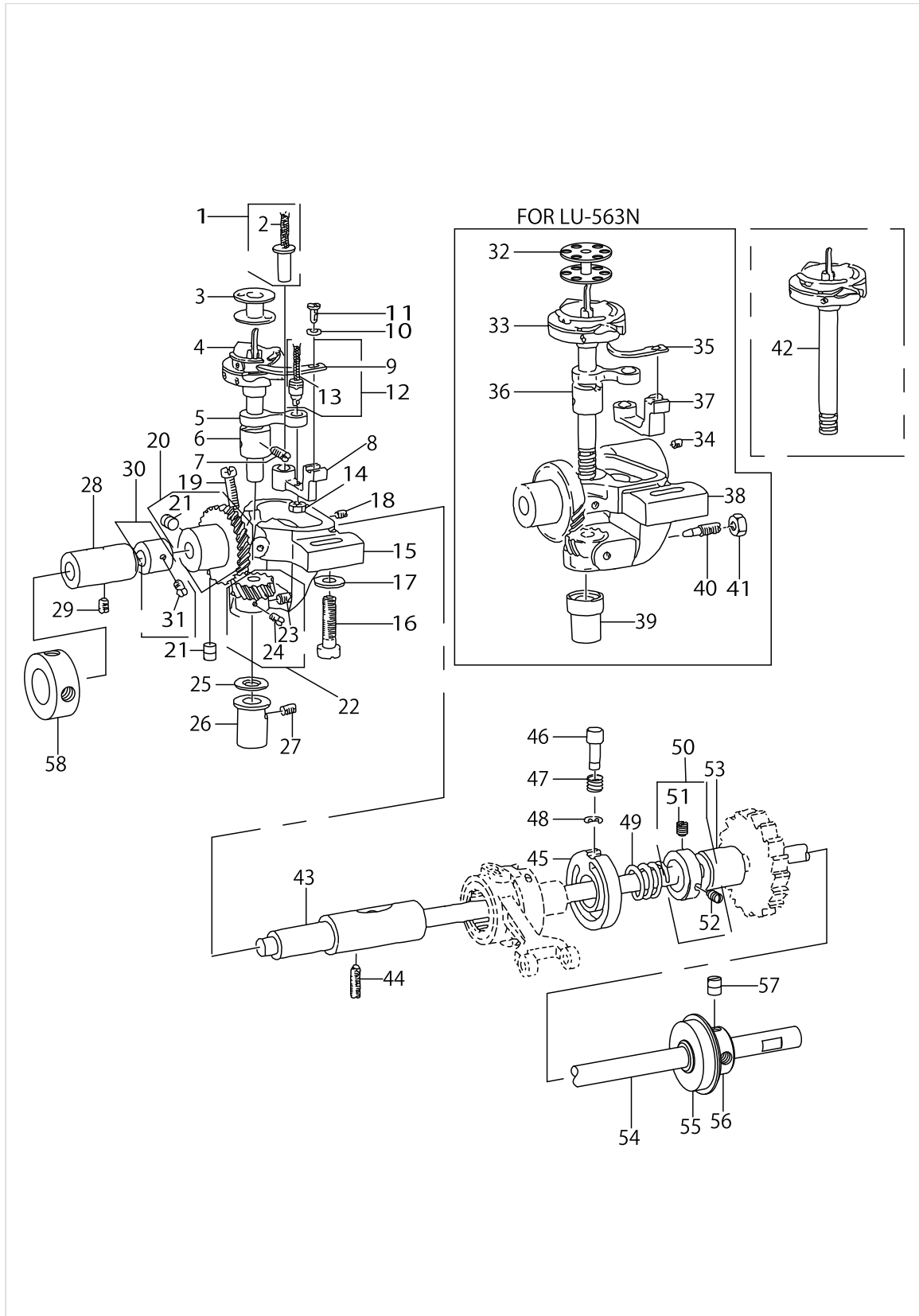
SEWING HOOK & SHAFT COMPONENTS



SEWING HOOK & SHAFT COMPONENTS

No.	Supply Code	Parts No.	Replacement	Parts name	Remarks	Choice	Step	Level	Cons	Qty	Rep. QTY
1		B18230510A0		PIN ASM.						1	
2		CQ202000000		OIL WICK				*		0.1	
3		B9117051000		BOBBIN	FOR LU-562N					1	
4	D	B18300550A0		VERTICAL-AXIS SE- WING HOOK ASM.	FOR LU-562N					1	
5		B1820563000		BOBBIN CASE OPE- NING LEVER LINK						1	
6		B1814051000		HOOK DRIVING SH- AFT BUSHING, UP	FOR LU-562N					1	
7	R	SS8151150SP	SS8151150TP	SCREW 15/64-28 L=10.5						1	1.00
8		B1822051000		OPENING LEVER CRANK	FOR LU-562N					1	
9	D	B1824051000		BOBBIN CASE OPENING LEVER	FOR LU-562N					1	
10		WP0371016SD		WASHER 3.7X8X1						1	
11		SS6090810SP		SCREW 9/64-40 L= 7.5						1	
12		B18210510A0		SCREW STUD ASM.						1	
13		CQ202000000		OIL WICK				*		0.1	
14		NS6110420SP		NUT 11/64-40						1	
15		B1811051000		HOOK SHAFT SADDLE, RIGHT						1	
16		SS7762840SP		SCREW 1/4-28 L=28.0						1	
17		WP0753016SZ		WASHER 7.5X16.0X3.0						1	
18	R	SS8150710SP	SS8150710TP	SCREW 15/64-28 L=7	FOR LU-562N					1	1.00
19		SS6153040SP		SCREW 15/64-28 L=30						1	
20		B18160510A0		HOOK DRIVING SH- AFT GEAR ASM, L						1	
21		SS8660810TP		SCREW 1/4-40 L=8				*		2	
22		B18170510A0		HOOK DRIVING SH- AFT GEAR ASM, S						1	
23		SS8660530TP		SCREW 1/4-40 L= 4.5				*		1	
24		SS8660670SP		SCREW 1/4-40 L= 6.1				*		1	
25		B1818051B00		THRUST WASHER, B						1	
26		B1815051000		HOOK DRIVING SH- AFT BUSHING, LO	FOR LU-562N					1	
27	R	SS8150710SP	SS8150710TP	SCREW 15/64-28 L=7						1	1.00
28		B18025630A0		HOOK DRIVING SH- AFT,FRONT ASM.						1	
29		SS8152030SP		SCREW 15/64-28 L=20						1	
30		B18400510A0		FEED DRIVING ECCENTRIC ASM.						1	
31		SS8150510TP		SCREW 15/64-28 L= 4.7				*		1	
32		B9117563000		BOBBIN	FOR LU-563N					1	
33		B18305630A0		VERTICAL-AXIS SE- WING HOOK ASM.	FOR LU-563N					1	
34		SS8151230SP		SCREW 15/64-28 L=12	FOR LU-563N					1	
35		B1824563000		BOBBIN CASE OPENING LEVER	FOR LU-563N					1	
36	D	B1814563000		HOOK DRIVING SH- AFT BUSHING, UP	FOR LU-563N					1	
37		B1822563000		BOBBIN CASE OPE- NING LEVER CRAN	FOR LU-563N					1	
38		B1811563000		HOOK DRIVING SHAFT SADDLE	FOR LU-563N					1	
39		10179307		BUSHING,LOWER	FOR LU-563N					1	
40		B1843563000		OIL ADJUSTING SCREW	FOR LU-563N					1	
41		NS6110420SP		NUT 11/64-40	FOR LU-563N					1	

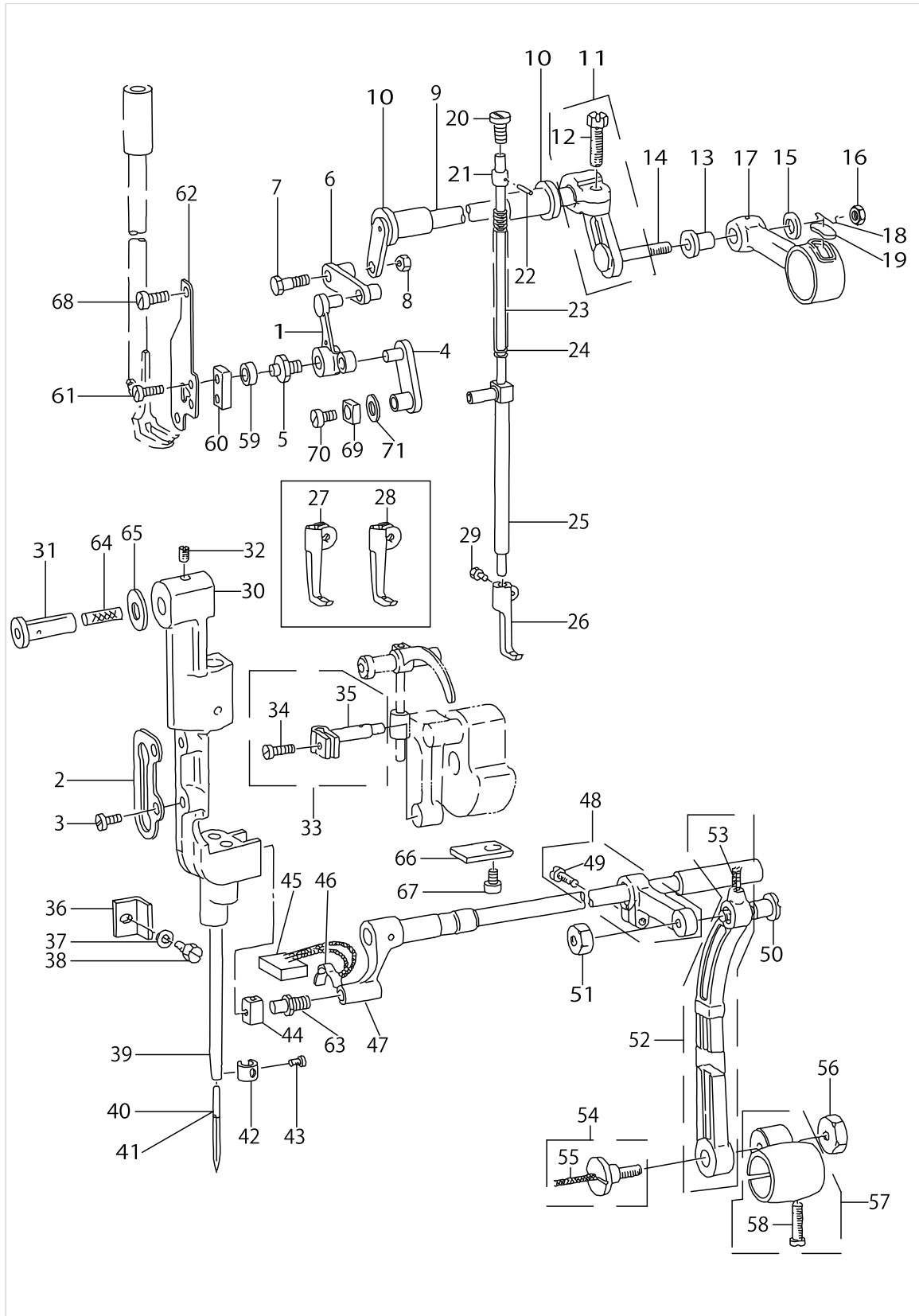
SEWING HOOK & SHAFT COMPONENTS



SEWING HOOK & SHAFT COMPONENTS

No.	Supply Code	Parts No.	Replacement	Parts name	Remarks	Choice	Step	Level	Cons	Qty	Rep. QTY	
42		B1830563BA0		HOOK ASM., FOR E-XTREME THICK T	SPECIAL ORDER PART FOR L-U-563N (FOR EXTREMELY THICK THREAD)					1		
43		B1804051000		BUSHING, INTERMEDIATE							1	
44		SS8151550SP		SCREW 15/64-28L=15							1	
45		B1626562000		FEED ECCENTRIC GUIDE							1	
46		B1636055000		FEED ECCENTRIC ADJUSTING KNOB							1	
47		B1639051000		SPRING							1	
48		RE0500000K0		E-RING							1	
49	D	B1624055000		FEED ECCENTRIC BODY SPRING							1	
50		B16250570A0		RETAINING COLLAR ASM.							1	
51	R	SS8110510SP	SS8110520TP	SCREW 11/64-40 L=5					*		1	1.00
52		SS8110750SP		SCREW 11/64-40 L= 6.5					*		1	
53		B1807512000		BUSHING B. INTERMEDIATE							1	
54		B1801563000		HOOK DRIVING SHAFT							1	
55		SB115000700		BALL BEARING							1	
56	D	B1804512000		THRUST COLLAR							1	
57		SS8150750SP		SCREW 15/64-28 L=7							2	
58		CS0950810SH		THRUST COLLAR ASM. D=9.5 W=8							1	

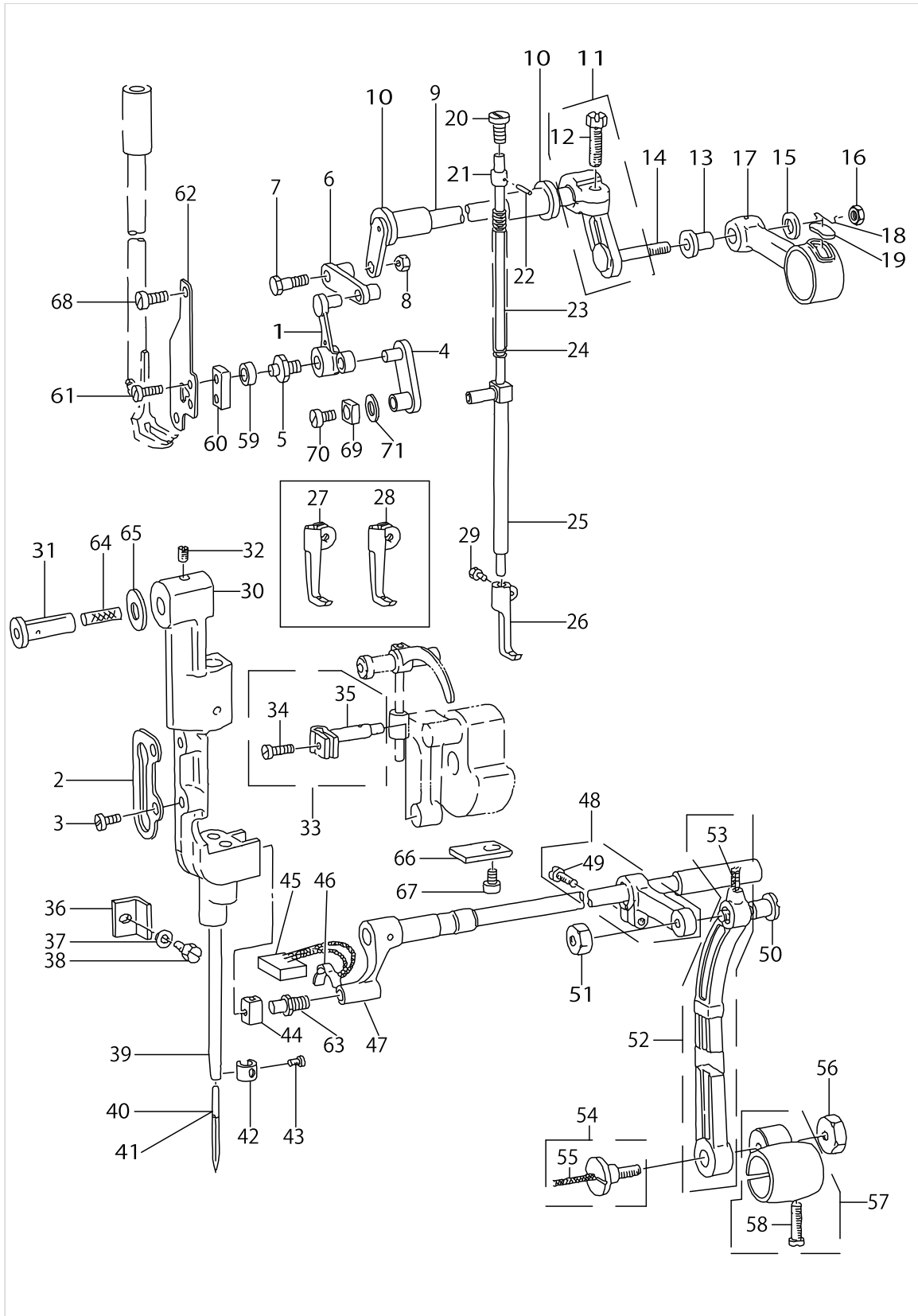
NEEDLE BAR & WALKING FOOT COMPONENTS



NEEDLE BAR & WALKING FOOT COMPONENTS

No.	Supply Code	Parts No.	Replacement	Parts name	Remarks	Choice	Step	Level	Cons	Qty	Rep. QTY
1		D1459241E00		L SHAPED LINK						1	
2		B1467563000		UPPER FEED BAR GUIDE						1	
3	R	SS7110910SP	SS7110910TP	SCREW						2	1.00
4		B1465053000		WALKING BAR DRIVING LINK						1	
5		B1461245000		GUIDE SHAFT HINGE SCREW						1	
6		B1458241H00		UPPER FEED CONNECTING LINK						1	
7		B3008141H00		HINGE SCREW						1	
8		NS6660430SP		NUT 1/4-40						1	
9		B1456053000		UPPER FEED DRIVING SHAFT						1	
10		B1455053000		BUSHING						2	
11		D1454055BA0		UPPER FEED SPRING ROD ASM.						1	
12		SS9161610SP		SCREW 1/4-24 L=16				*		1	
13		D1455055B00		CONNECTING STUD						1	
14		D1456055B00		HINGE SCREW						1	
15		WP0482086SD		WASHER 4.8X11.5X2.0						1	
16		NS6110530SP		NUT 11/64-40						1	
17		D1453055B00		UPPER FEED DRIVING ROD						1	
18		B1213012000		FELT RETAINER						1	
19		B1702012000		OIL FELT						1	
20		SS6151780SP		SCREW 15/64-28 L=17.0						1	
21	R	B146705300B	B14670530A0	RETAINING COLLAR						1	1.00
22	D	B146752100C		RETAINING COLLAR PIN						1	
23	R	B146705300A	B14670530A0	SPRING POLE						1	1.00
24		B1468053000		WALKING BAR SPRING						1	
25	R	B1466563000	40033030	WALKING BAR						1	1.00
26	R	B1470053000	B14700530A0	WALKING FOOT						1	1.00
27	D	B1470562B00		WALKING FOOT	SPECIAL ORDER PART FOR L-U-562N, L-U-563N(WITH TEECH)					1	
28	D	B1470053C00		WALKING FOOT (C)	SPECIAL ORDER PART FOR L-U-562N, L-U-563N(FOR LIGHT WEIGHT MATERIALS)					1	
29		SS6110710TP		SCREW 11/64-40 L= 6.5						1	
30		B1420563000		NEEDLE BAR FRAME						1	
31		B1421051000		NEEDLE BAR FRAME TAPER STUD						1	
32	R	SS8151150SP	SS8151150TP	SCREW 15/64-28 L=10.5						1	1.00
33		B14110530B0		NEEDLE BAR CONNECTION ASM						1	
34	R	SS7090910SP	SS7090910TP	SCREW 9/64-40 L= 8.5				*		1	1.00
35		B1412051000		FELT				*		1	
36	D	B1423051000		NEEDLE BAR FRAME GUIDE						1	
37		WP0480856SP		WASHER 4.8X8.4X0.8						1	
38		SS9111010SP		SCREW 11/64-40 L=9.5						1	
39		B1401053000		NEEDLE BAR						1	

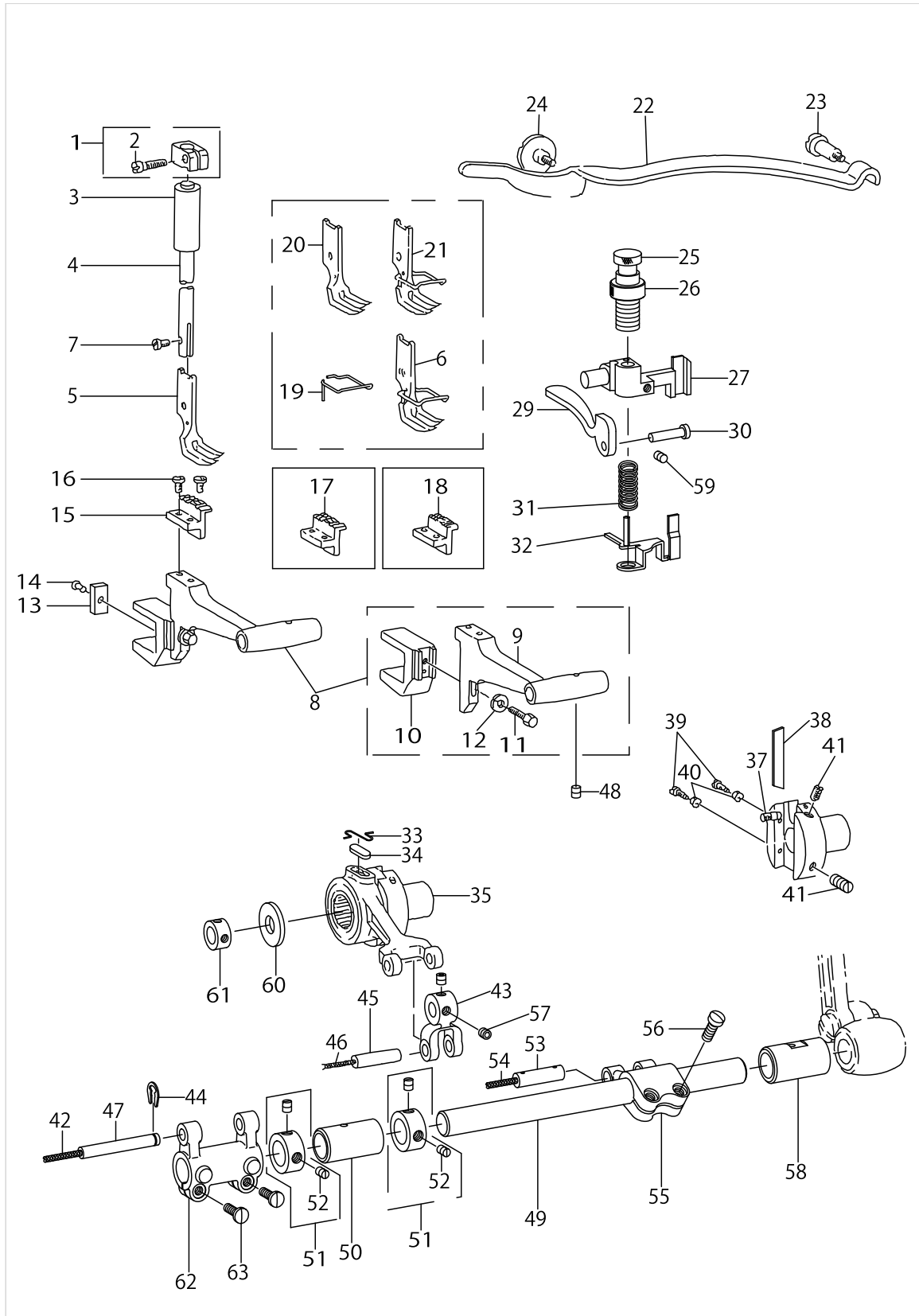
NEEDLE BAR & WALKING FOOT COMPONENTS



NEEDLE BAR & WALKING FOOT COMPONENTS

No.	Supply Code	Parts No.	Replacement	Parts name	Remarks	Choice	Step	Level	Cons	Qty	Rep. QTY
40		MDI300B2300		NEEDLE DIX3 #23						1	
41	D	MC351501600		NEEDLE	SPECIAL ORDER PART(FOR JE)					1	
42		10308609		THREAD GUARD						1	
43		SS7080510TP		SCREW 1/8-44 L=4.5						1	
44		B1414232000		SQUARE BLOCK						1	
45		B14380510A0		OIL WICK ASM.						1	
46		B1437051000		OIL WICK RETAINER						1	
47	D	B14285630B0		ROCK SHAFT FRONT CRANK ASM.						1	
48	D	B14310510A0		ROCK SHAFT REAR CRANK ASM.						1	
49		SS6151440SP		SCREW 15/64-28L=14				*		1	
50		SD0790801SP		HINGE SCREW D=7.94 H=8						1	
51		NS6160520SP		NUT 1/4-24						1	
52		B14340510A0		NEEDLE BAR FRAME ROD ASM.						1	
53		CQ202000000		OIL WICK				*		0.1	
54		SD095080ASP		HINGE SCREW ASM.						1	
55		CQ202000000		OIL WICK				*		0.1	
56		NS6700420SP		NUT 5/16-24						1	
57	D	B14350510A0		DRIVING ROD CRANK						1	
58		SS6151920SP		SCREW 15/64-28 L=19.0				*		1	
59		D1462241E00		CONNECTING PIN ROLLER						1	
60		D1463241E00		PRESSER BAR BRACKET GUIDE						1	
61		SS7621040SP		SCREW 3/16-32L=9.5						2	
62		B1502563000		GUIDE PLATE						1	
63		B1410771000		STUD						1	
64		CQ202000000		OIL WICK						.1	
65		B1208019000		WASHER						1	
66	D	B1421563000		NEEDLE BAR FRAME GUIDE PLATE						1	
67		SM6050802TP		SCREW M5X0.8 L=8						1	
68		SS7151120SP		SCREW 15/64-28L=11						2	
69		B1414555000		SLIDE BLOCK						1	
70		SS7110510SP		SCREW 11/64-40 L=5						1	
71		10509701		FELT						1	

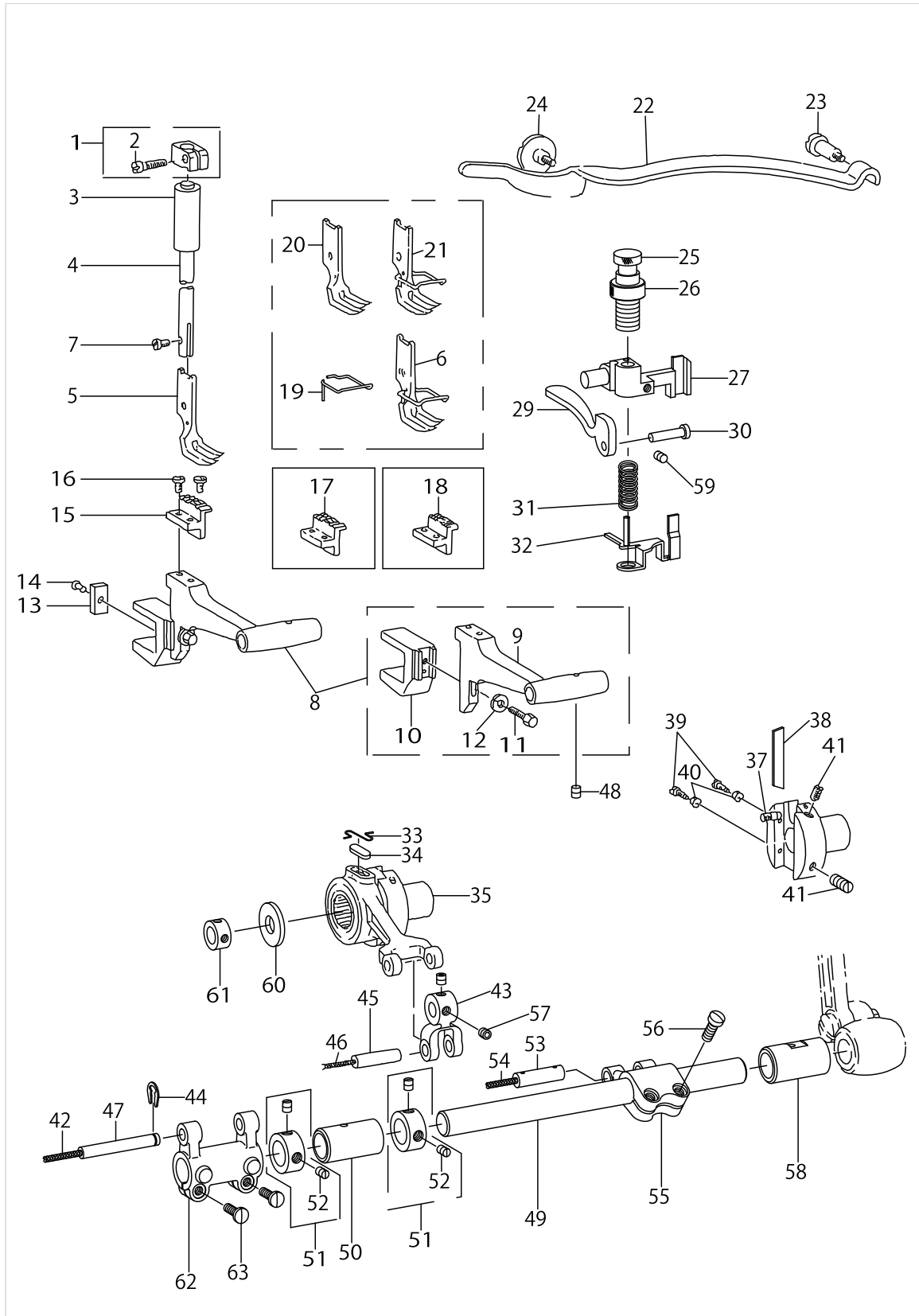
PRESSER BAR & FEED ROCK SHAFT COMPONENTS



PRESSER BAR & FEED ROCK SHAFT COMPONENTS

No.	Supply Code	Parts No.	Replacement	Parts name	Remarks	Choice	Step	Level	Cons	Qty	Rep. QTY
1		B15075620A0		PRESSER BAR GUIDE BRACKET ASM.						1	
2	R	SS7091310SP	SS6091210TP	SCREW 9/64-40 L=13.0				*		1	1.00
3		B1510155000		PRESSER BAR LOWER BUSHING						1	
4		B1501241H00		PRESSER BAR						1	
5	R	B1525053000	B15250530A0	PRESSER FOOT						1	1.00
6		B15250530A0		PRESSER FOOT ASM.	SPECIAL ORDER PART FOR L-U-562N, LU-563N					1	
7		SS6090910TP		SCREW 9/64-40 L=9						1	
8	R	B16025620A0	B16025620B0	FEED BASE (ASM.)						1	1.00
9	D	B1602562000		FEED BASE				*		1	
10		B1604051000		FEED BAR SLIDE FORK				*		1	
11		SS9151440CP		SCREW 15/64-28L=14				*		1	
12		WP0621016SD		WASHER 6.2X13X1				*		1	
13		B1605051000		OIL SUPPLY FELT						1	
14		SS5080710SP		SCREW 1/8-44 L= 6.5						1	
15		B1613563000		FEED DOG	FOR LU-562N					1	
16		B1611055000		SCREW						2	
17		B1613563000		FEED DOG	FOR LU-563N					1	
18		B1613563B00		FEED DOG	SPECIAL ORDER PART FOR L-U-562N, L-U-563N(FOR LIGHT WEIGHT MATERIALS)					1	
19		10337905		FINGER GUARD	SPECIAL ORDER PART FOR L-U-562N, LU-563N					1	
20	D	B1525562B00		PRESSER FOOT	SPECIAL ORDER PART FOR L-U-562N, L-U-563N(WITH TEECH)					1	
21		B1525562BA0		PRESSER FOOT ASM.	SPECIAL ORDER PART FOR L-U-562N, LU-563N					1	
22	R	B1505053000	B15051580A0	ADJUSTING PLATE SPRING		A				1	1.00
22	R	B1505053000	B15071580A0	ADJUSTING PLATE SPRING		A				1	1.00
23		SD0801601SP		HINGE SCREW D= 8 H=16						1	
24		SD0800481SP		HINGE SCREW D= 8 H= 4.9						1	
25	R	B1509012000	40009129	PRESSER SPRING REGULATOR						1	1.00
26	R	B1511555000	40012052	NUT 1/2-28						1	1.00
27		B1460245000		PRESSER LIFTING LEVER BASE						1	
28	R	SS7111310SP	SS7111310TP	SCREW 11/64-40 L=12.8						1	1.00
29		B1512141H00		HAND LIFTER						1	
30		B1513141H00		HAND LIFTER SHAFT						1	
31		B1462053000		THREAD RELEASE SPRING						1	
32		B14602460A0		THREAD RELEASE GUIDE ASM.						1	
33		B1213012000		FELT RETAINER						1	

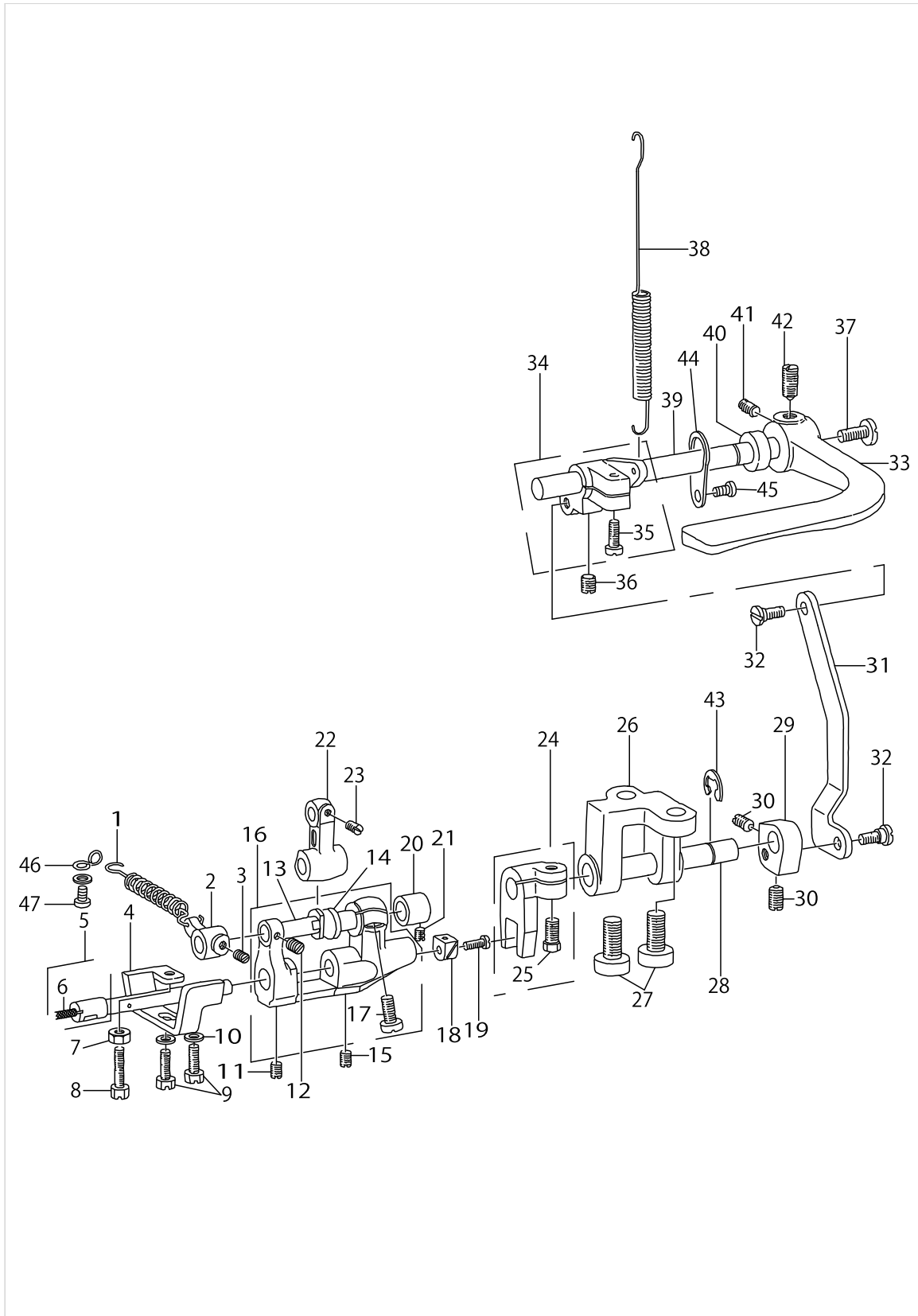
PRESSER BAR & FEED ROCK SHAFT COMPONENTS



PRESSER BAR & FEED ROCK SHAFT COMPONENTS

No.	Supply Code	Parts No.	Replacement	Parts name	Remarks	Choice	Step	Level	Cons	Qty	Rep. QTY
34		B1702012000		OIL FELT						1	
35	D	B16205620C0		ADJUSTING ROD ASM.						1	
36	D	B1623057000		FEED ADJUSTING SCREW						1	
37		B1623563000A		FEED ADJUSTING SCREW				*		1	
38	D	B1622057000		FRICTION PLATE				*		1	
39	R	SS6080210SP	SS6080310SP	SCREW 1/8-44 L=2				*		2	1.00
40		NS6080210SP		NUT 1/8-44				*		2	
41		SS8151550SP		SCREW15/64-28L=15						1	
42		CQ202000000		OIL WICK						.2	
43	D	B1647563000		FEED REGULATING FORK LINK						1	
44		RE0500711KP		SNAP RING 5						1	
45		B16465620A0		FEED REGULATING LINK PIN ASM.						1	
46		CQ202000000		OIL WICK				*		0.2	
47		B1604012000A		FEED BAR SHAFT						1	
48		SS8620610TP		SCREW 3/16-32 L=6						2	
49	D	B1601521000		FEED ROCK SHAFT						1	
50		B1607563000		FEED ROCK SHAFT BUSHING,FRONT						1	
51	R	CS1401010SC	CS140101ASP	THRUST COLLAR ASM. D=14 W=10						2	1.00
51	R	CS1401010SC	SS8150410TP	THRUST COLLAR ASM. D=14 W=10						2	1.00
52	R	SS8150410SP	SS8150410TP	SCREW 15/64-28 L=4				*		4	1.00
53	D	B1648563000		CONNECTING PIN						1	
54		CQ202000000		OIL WICK				*		0.1	
55		B1616563000		FEED ROCK SHAFT CRANK						1	
56	R	SS7111410SP	SS7111410TP	SCREW11/64-40L=14				*		2	1.00
57		SM8050502TP		SCREW M5 L=5						2	
58		B1609563000		FEED ROCK SHAFT BUSHING,REAR						1	
59		SS8110750SP		SCREW 11/64-40 L= 6.5						1	
60		WP0982616SP		WASHER 9.8X24.0X2.6						1	
61		CS0950810SH		THRUST COLLAR ASM. D=9.5 W=8						1	
62		B1603521000		FEED BAR CRANK						1	
63	R	SS7111410SP	SS7111410TP	SCREW11/64-40L=14						1	1.00

REVERSE FEED CONTROL LEVER COMPONENTS



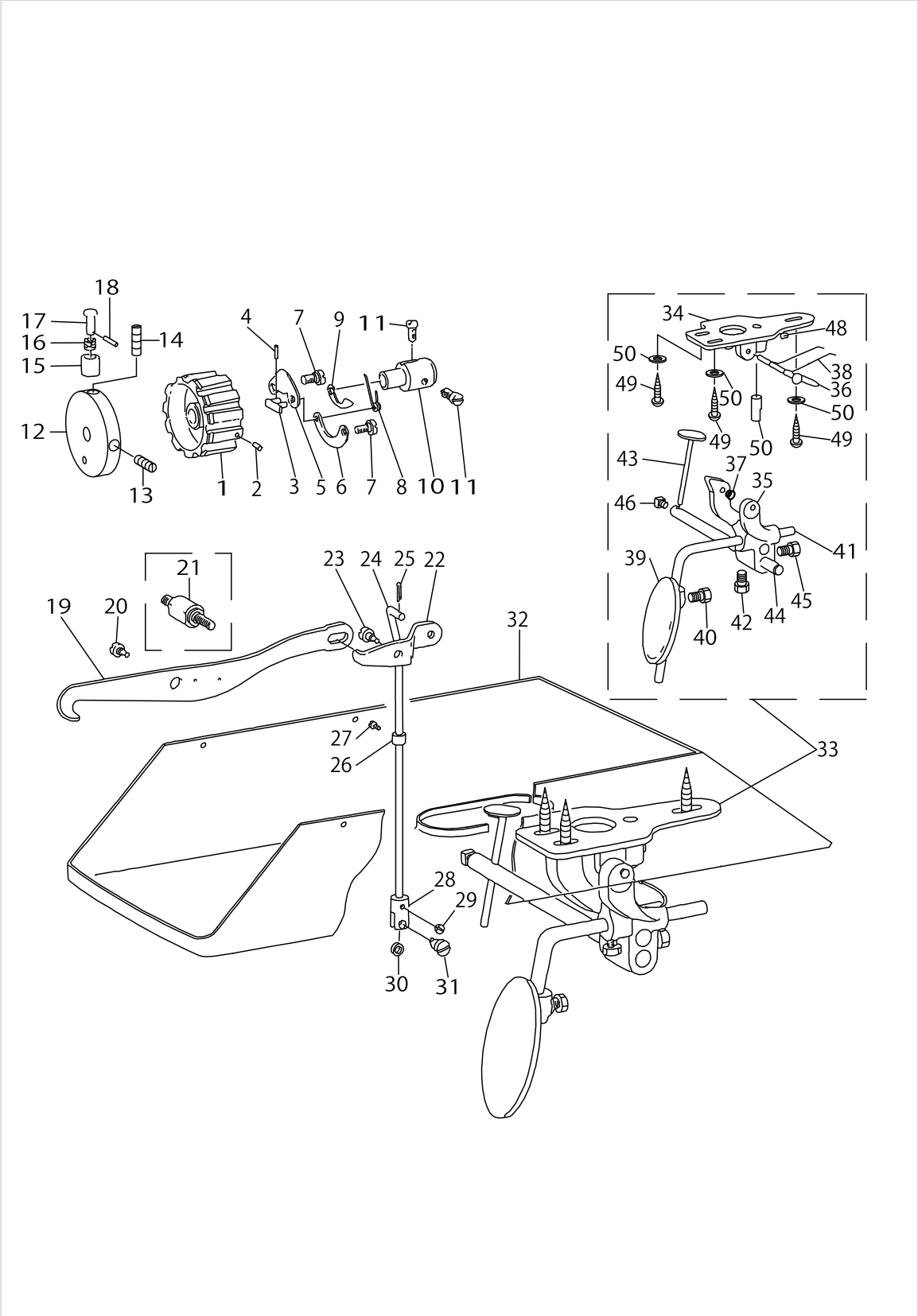
REVERSE FEED CONTROL LEVER COMPONENTS

No.	Supply Code	Parts No.	Replacement	Parts name	Remarks	Choice	Step	Level	Cons	Qty	Rep. QTY
1	D	B2007232000		TENSION SPRING						1	
2	D	B1647122000		SUSPENSION BRACKET A						1	
3	R	SS8150710SP	SS8150710TP	SCREW 15/64-28 L=7						1	1.00
4		B1667521000		FEEDLIMITINGPLATE						1	
5		B16445620A0		FEED REGULATING PIN ASM.						1	
6		CQ202000000		OIL WICK				*		0.1	
7		NS6110530SP		NUT 11/64-40						1	
8		SS9111820SP		SCREW11/64-40L=18						1	
9		SS9121340CP		SCREW 3/16-28 L=13						2	
10		WP0480856SP		WASHER 4.8X8.4X0.8						2	
11		SS8110750SP		SCREW 11/64-40 L= 6.5						1	
12		SS8110520TP		SCREW 11/64-40 L= 4.5						1	
13	D	B1642562000		FEED REGULATING ARM PIN						1	
14		B1641562000		FEED REGULATING ARM SHAFT						1	
15		SS8110750SP		SCREW 11/64-40 L= 6.5						1	
16	D	B16405620A0		FEED REGULATING ARM ASM.						1	
17		SS7151210SP		SCREW15/64-28L=12				*		1	
18	D	B1414155000		NEEDLE BAR CONN-ECTING SLIDE BL						1	
19		SS7090540TP		SCREW 9/64-40 L=5						1	
20	R	11834108	13409305	BUSHING, REAR						1	1.00
21	R	SS8110510SP	SS8110520TP	SCREW 11/64-40 L=5						1	1.00
22	D	B1645562000		FEED REGULATING LINK						1	
23		SS8110750SP		SCREW 11/64-40 L= 6.5						1	
24	D	B16515620A0		FEED CHANGING FORK ASM.						1	
25		SS9151630CP		SCREW 15/64-28 L=15.5				*		1	
26		B1652563000		FEED CHANGING SHAFT BASE A						1	
27		SM6081542CP		SCREW M8X1.25 L=15						2	
28		B1653563000		FEED CHANGING SHAFT A						1	
29	D	B1654563000		FEED CHANGING ARM						1	
30		SS8151280SP		SCREW 15/64-28 L=12.0				*		1	
31	D	B1657521000		FEED REGULATING ROD						1	
32		SD0640323TP		HINGE SCREW D= 6.35 H= 3.2						2	
33	D	B1624555000		REVERSE FEED CONTROL LEVER						1	
34	D	B16585210A0		TENSION SPRING R-EGULATING ARM						1	
35	R	SS7121410SP	SS7121410TP	SCREW 3/16-28 L=14				*		1	1.00
36		SS8151280SP		SCREW 15/64-28 L=12.0						1	
37		SS7620750SP		SCREW 3/16-32L=6.5						2	
38	D	B1666521000		TENSION SPRING B						1	
39		B1660563000		REVERSE FEED LEVER SHAFT						1	
40		B1662562000		COLLAR						1	
41		SS8661040TP		SCREW 1/4-40 L=10						1	
42		SS8660810TP		SCREW 1/4-40 L=8						1	
43		RE0800000K0		E-SHAPED SNAP RING (8MM)						1	
44	D	B1661563000		THRUST PLATE						1	
45		SS7151210SP		SCREW15/64-28L=12						1	

REVERSE FEED CONTROL LEVER COMPONENTS

No.	Supply Code	Parts No.	Replacement	Parts name	Remarks	Choice	Step	Level	Cons	Qty	Rep. QTY
46		B1659562000		TENSION SPRING SUSPENSION B						1	
47		SS7090710SP		SCREW 9/64-40 L=6.8						1	

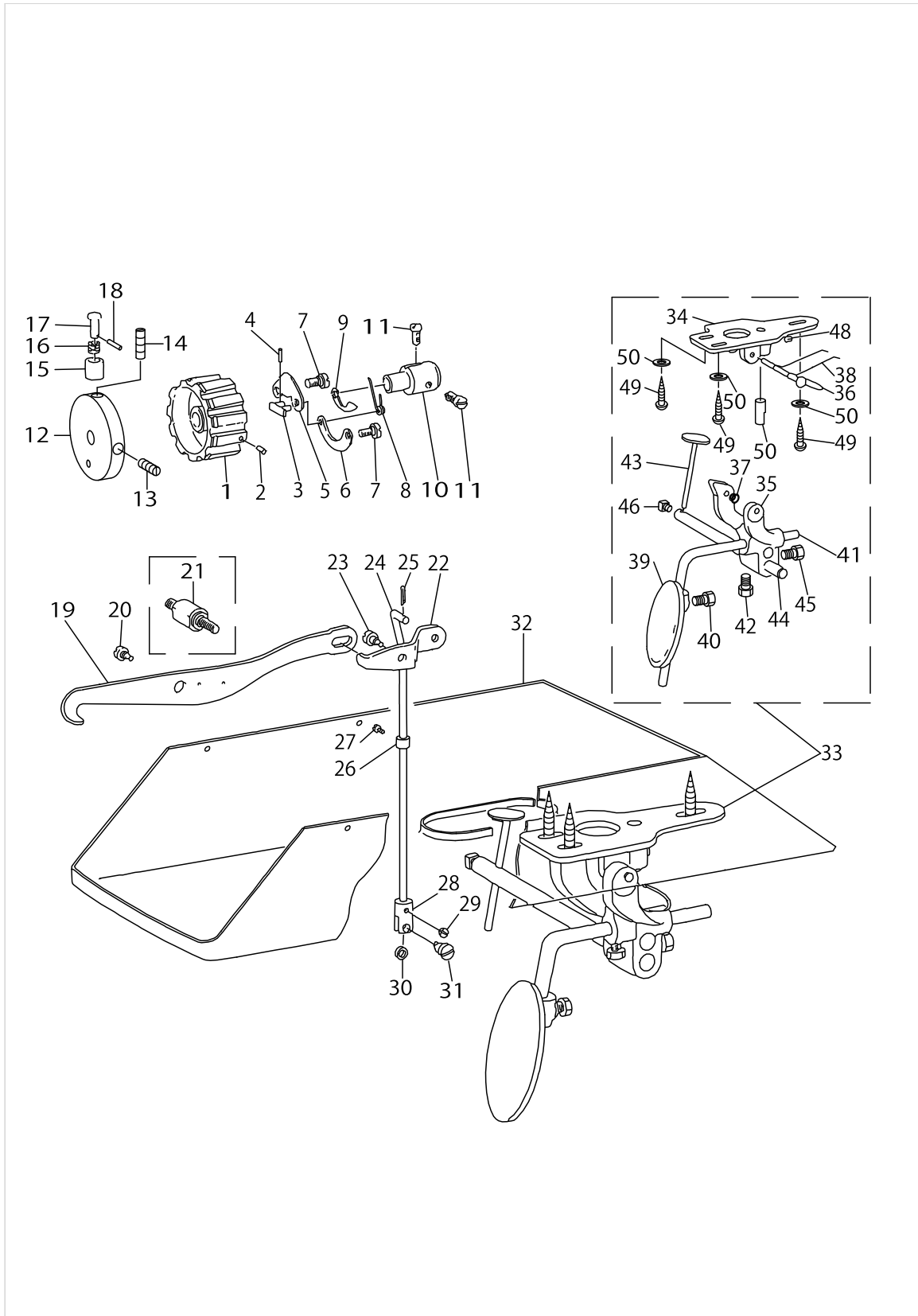
SAFETY CLUTCH MECHANISM, KNEE LIFTER COMPONENTS



SAFETY CLUTCH MECHANISM,KNEE LIFTER COMPONENTS

No.	Supply Code	Parts No.	Replacement	Parts name	Remarks	Choice	Step	Level	Cons	Qty	Rep. QTY
1	D	21223706		SPROCKET WHEEL,LOWER						1	
2		SS8090410SP		SCREW 9/64-40 L=3.5						1	
3		B1310055000		SAFETY CLUTCH SMALL LINK						1	
4		B1314055000		SAFETY CLUTCH SMALL LINK PIN						1	
5	R	B1307055000	21387600	SAFETY CLUTCH HOOK						1	1.00
6		B1305055000A		SAFETY CLUTCH SPRING						1	
7		SD0640322TP		HINGE SCREW D= 6.35 H= 3.2						2	
8	R	B1309055000	40113224	COUNTER-HOOK SPRING						1	1.00
9		B1308055000		SAFETY CLUTCH COUNTER-HOOK						1	
10		10503605		SAFETY BASE						1	
11		SS7661110TH		SCREW 1/4-40 L=11						2	
12	D	B1314563000		SAFETY PLATE						1	
13		SS8152030SP		SCREW 15/64-28 L=20						1	
14		SS8152080SP		SCREW 15/64-28 L=19.5						1	
15		B1313055000		SAFETY CLUTCH KNOB SLEEVE						1	
16		B1639051000		SPRING						1	
17	D	B1312055000		SAFETY CLUTCH KNOB						1	
18		PS0200102KH		SPRING PIN 2.0 X 10						1	
19	D	B3409053000		KNEE LIFTER FRONT LEVER						1	
20		SD0790361SP		HINGE SCREW D= 7.94 H= 3.6						1	
21		B3418562000		LUMP SET SCREW	SPECIAL ORDER PA- RT FOR L- U-562N ,LU-563N					1	
22		B3410051000		KNEE LIFTER REAR LEVER						1	
23		SD0790361SP		HINGE SCREW D= 7.94 H= 3.6						1	
24	D	B3413053000		REAR LIFTING BAR						1	
25		PD02311000B		SPLIT PIN 2.3X11						1	
26	R	CS0510713SC	CS0510713SD	THRUST COLLAR D=5.1 W=7						1	1.00
27		SS7110540SP		SCREW 11/64-40 L=5						1	
28		B3416051000		REAR LIFTING BAR ROLLER HOLDER						1	
29		SS7110510SP		SCREW 11/64-40 L=5						1	
30		B3417051000		REAR LIFTING BAR ROLLER						1	
31		SD0550801SP		HINGE SCREW D= 5.50 H= 8.0						1	
32		B8217053000		DRIP PAN						1	
33		B34010270B0		KNEE LIFTER ASM.						1	
34	R	B3401027000	B34010270A0	KNEE DRIVING SHA- FT MOUNTING BA				*		1	1.00
35		B3402027000		KNEE DRIVING BRACKET				*		1	
36	D	B3408027000		KNEE DRIVING SHAFT				*		1	
37	D	B3404027000		SPRING				*		1	
38		B3409027000		KNEE DRIVING SPRING				*		1	
39	D	B3407027000		KNEE PRESS PLATE				*		1	
40		SM9081620SE		SCREW M8 L=16				*		1	
41	D	B3403027000		KNEE PRESS PLATE ROD				*		1	
42		SS9201813CP		SCREW 5/16-18 L=18				*		1	
43	R	B34050270A0	B34010270A0	KNEE KNEE LIFT PLATE ASM.				*		1	1.00
44		B3410027000		KNEE PRESS SHAFT				*		1	

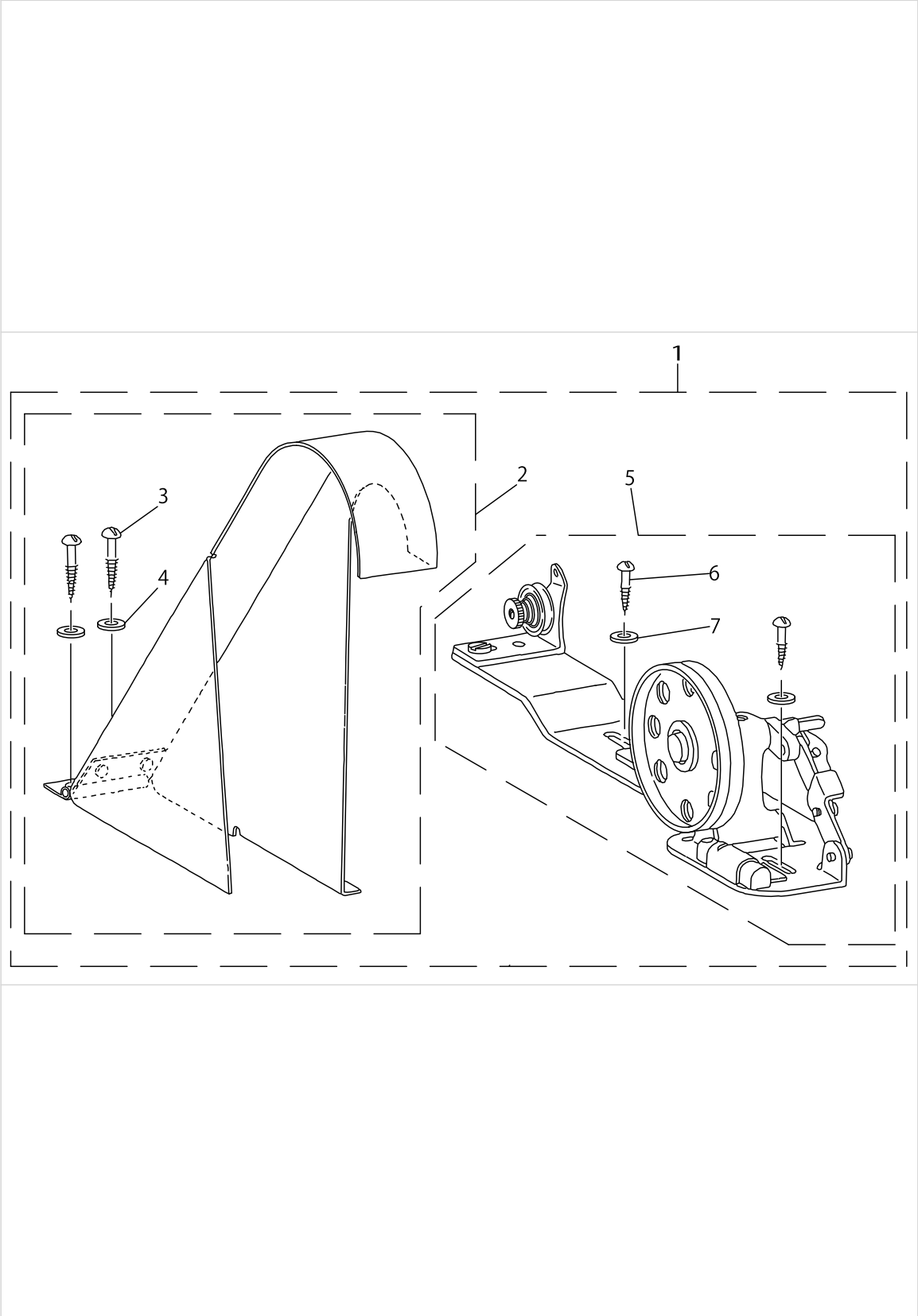
SAFETY CLUTCH MECHANISM, KNEE LIFTER COMPONENTS



SAFETY CLUTCH MECHANISM,KNEE LIFTER COMPONENTS

No.	Supply Code	Parts No.	Replacement	Parts name	Remarks	Choice	Step	Level	Cons	Qty	Rep. QTY
45		SS9201813CP		SCREW 5/16-18 L=18				*		1	
46		B3406027000		BOLT				*		1	
47	D	B3411027000		STOPPER PIN				*		1	
48	R	SS8150710SP	SS8150710TP	SCREW 15/64-28 L=7				*		1	1.00
49		SK3623200SC		WOOD SCREW D=6.2 L=32				*		3	
50		WP0850002SC		WASHER 8.5X18X1.6				*		3	

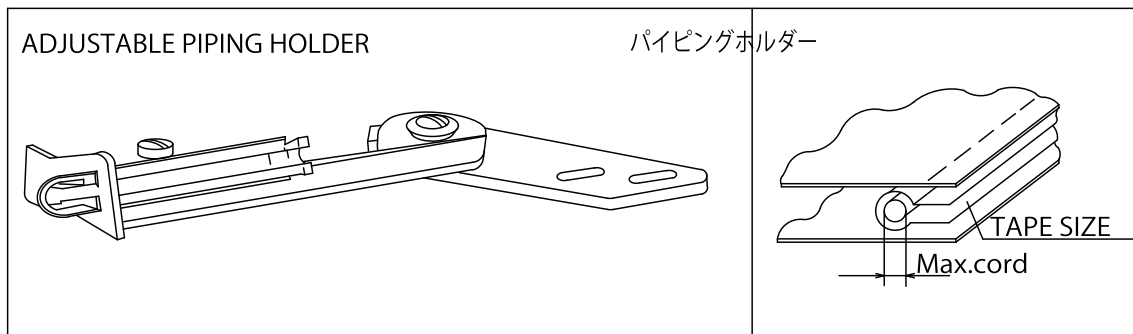
BELT COVER COMPONENTS(SPECIAL ORDER PARTS)



BELT COVER COMPONENTS(SPECIAL ORDER PARTS)


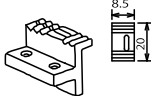
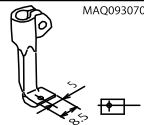




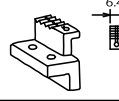
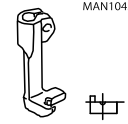



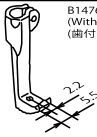
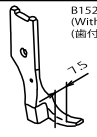
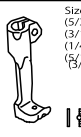
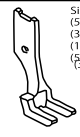
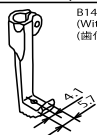
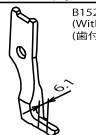
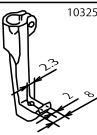

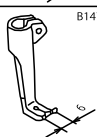
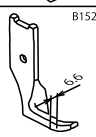

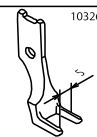
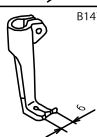
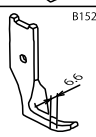



No.	Supply Code	Parts No.	Replacement	Parts name	Remarks	Choice	Step	Level	Cons	Qty	Rep. QTY
1	D	B82305620C0		BELT COVER ASM. (BOBBIN WINDER						1	
2	D	B82305620B0		BELT COVER ASM.				*		1	
3	R	SK3513200SC	SK3513201SE	WOOD SCREW D=5.1 L=32				*		2	1.00
4		WP0501016SC		WASHER 5X10.5X1				*		2	
5		B32015620B0		THREAD WINDER ASM.				*		1	
6	R	SK3482500SC	SK3482501SE	WOOD SCREW D=4.8 L=25				*		2	1.00
7		WP0501016SC		WASHER 5X10.5X1				*		2	

ATTACHMENTS COMPONENTS



MAX CORD	TAPE SIZE	PART NO.	DESCRIPTION	品名
6~10 mm	FREE	MAYBL6B10A0	ADJUSTABLE PIPING HOLDER	パイピングホルダー
2~5 mm	FREE	MAYBL6B20A0	ADJUSTABLE PIPING HOLDER	パイピングホルダー

OPTION PARTS COMPONENTS

Throat plate 針板	Feed dog 送り歯	Walking foot 中足	Presser foot 外足	Walking foot 中足	Presser foot 外足
B1109562A00  パイピング用 FOR PIPING	B1613562A00  8.5 2.5	MAQ9307000  5 6.5	MAQ93080A0 (With teeth) (歯付き)  6.5	B1478245000 (Commonly used for every size of presser foot) (各列尺共用)  1	 Size (5/32)B153024500C (3/16)B153024500D (1/4) B153024500F (5/16)B153024500H (3/8)B153024500H
B1109563C00  テープ付け用 FOR BINDING	B1613563C00  6.4 13.5	MAN10452000  4	テープ付け用 FOR BINDING  6.5	Size (5/32)B1478245000 (3/16)B147924500D (1/4) B147924500F (5/16)B147924500H  1	Size (5/32)B153124500C (3/16)B153124500D (1/4) B153124500F (5/16)B153124500H  1
		B147624500A (With teeth) (歯付き)  2.2 5.5	B152924500A (With teeth) (歯付き)  7.5	Size (5/32)B147424500C (3/16)B147424500D (1/4) B147424500F (3/8)B147424500H  1	Size (5/32)B152724500C (3/16)B152724500D (1/4) B152724500F (3/8)B152724500H  1
		Walking foot 中足  B147624500C (With teeth) (歯付き) 4.1 3.1	Presser foot 外足  B15292450AC (With teeth) (歯付き) 6.1	10325306  2.3 2 8	10325157  5
		B1470245000  6	B15242450A0  6.6	10326205  2.3 2 8	10326304  5
		B1470245000  6	B15242450A0  6.6	10338309 (With teeth) (歯付き)  3.3 1.2	B15292450AD (With teeth) (歯付き)  5.9 

HOW TO MAKE USE OF THIS PARTS LIST

1.As to "#01" and "#02" refer to the "Note" given at the bottom of the respective pages.

2.Codes on the "Qty" column

- Each numeral indicates the number of parts required.
- "0.1" and "2.5" indicate the length (in meters) of the respective parts.

3.Parentheses mean that the corresponding part is a subpart that constructs an assembly part.

4.Dotted lines on the Figures indicate assembly parts.

1. リストページの# 0 1、# 0 2の印は、ページ下の"注記"の説明を参照下さい。
2. 数量欄の数字は、個数を表し、0. 1、2. 5等の数値は、長さ（単位メートル）を表します。
3. 数量欄の（ ）は、組部品を構成している子部品であることを意味します。
4. イラストページの-----枠は、組構成であることを意味します。

NUMERICAL INDEX OF PARTS

PART NO	PAGE	REF NO.	PART NO	PAGE	REF NO.	PART NO	PAGE	REF NO.
10179307	10	39	B1308055000	26	9	B15075620A0	18	1
10308609	16	42	B1309055000	26	8	B1509012000	18	25
10320208	4	58	B1310055000	26	3	B1509051000	2	20
10337905	18	19	B1312055000	26	17	B1510155000	18	3
10503605	26	10	B1313055000	26	15	B1511555000	18	26
10509701	16	71	B1314055000	26	4	B1512141H00	18	29
11834108	22	20	B1314563000	26	12	B1513141H00	18	30
21223706	26	1	B1401053000	14	39	B1525053000	18	5
B1103051000	2	8	B1408051000	6	16	B15250530A0	18	6
B1109053000A	4	48	B1410771000	16	63	B1525562B00	18	20
B1109562000	4	47	B14110530B0	14	33	B1525562BA0	18	21
B1111563000	4	50	B1412051000	14	35	B1601521000	20	49
B1112053000A	2	45	B1414155000	22	18	B1602562000	18	9
B1113053000A	4	46	B1414232000	16	44	B16025620A0	18	8
B1114012000	2	21	B1414555000	16	69	B1603521000	20	62
B1128522000	2	16	B1420563000	14	30	B1604012000A	20	47
B1129051000	2	5	B1421051000	14	31	B1604051000	18	10
B1129563000	2	6	B1421563000	16	66	B1605051000	18	13
B1130051000	2	9	B1423051000	14	36	B1607563000	20	50
B1131562000	2	11	B14285630B0	16	47	B1609563000	20	58
B1132562000	2	44	B14310510A0	16	48	B1611055000	18	16
B1140051000	2	3	B14340510A0	16	52	B1613563000	18	17
B1150563000	2	22	B14350510A0	16	57	B1613563B00	18	18
B1152051000	2	23	B1437051000	16	46	B1616563000	20	55
B1155053000	2	19	B14380510A0	16	45	B16205620C0	20	35
B1156115000	2	43	B1455053000	14	10	B1622057000	20	38
B1158563000	6	8	B1456053000	14	9	B1623057000	20	36
B12020510A0	6	27	B1458241H00	14	6	B1623563000A	20	37
B1203051000	6	31	B1460245000	18	27	B1624055000	12	49
B1206051000	6	19	B14602460A0	18	32	B1624555000	22	33
B1208019000	16	65	B1461245000	14	5	B16250570A0	12	50
B12100510A0	6	17	B1462053000	18	31	B1626562000	12	45
B1213012000	14	18	B1465053000	14	4	B1636055000	12	46
B1213012000	18	33	B1466563000	14	25	B1639051000	12	47
B1214019000	6	37	B146705300A	14	23	B1639051000	26	16
B1216051000	6	43	B146705300B	14	21	B16405620A0	22	16
B12160510A0	6	42	B146752100C	14	22	B1641562000	22	14
B12170510A0	6	44	B1467563000	14	2	B1642562000	22	13
B12205620A0	6	35	B1468053000	14	24	B16445620A0	22	5
B1227053000	8	48	B1470053000	14	26	B1645562000	22	22
B1230051000	6	28	B1470053C00	14	28	B16465620A0	20	45
B1301051000	6	41	B1470562B00	14	27	B1647122000	22	2
B1302051000	6	38	B1501241H00	18	4	B1647563000	20	43
B1305055000A	26	6	B1502563000	16	62	B1648563000	20	53
B1307055000	26	5	B1505053000	18	22	B16515620A0	22	24

NUMERICAL INDEX OF PARTS

PART NO	PAGE	REF NO.	PART NO	PAGE	REF NO.	PART NO	PAGE	REF NO.
B1652563000	22	26	B1905563000	6	11	CQ202000000	6	29
B1653563000	22	28	B19055630B0	6	10	CQ202000000	10	13
B1654563000	22	29	B19060510A0	6	12	CQ202000000	16	64
B1657521000	22	31	B19070510A0	6	14	CQ202000000	20	54
B16585210A0	22	34	B2007232000	22	1	CQ202000000	22	6
B1659562000	24	46	B3008141H00	14	7	CQ303000000	6	25
B1660563000	22	39	B3101053000	2	1	CS0510713SC	26	26
B1661563000	22	44	B31210530A0	2	25	CS0950810SH	12	58
B1662562000	22	40	B3122053000	2	26	CS0950810SH	20	61
B1666521000	22	38	B3123051000	2	40	CS1401010SC	20	51
B1667521000	22	4	B3124051000	2	31	D1201055B00	6	24
B1702012000	14	19	B31240510A0	2	30	D1450055BA0	6	32
B1702012000	20	34	B3125012000	2	36	D1453055B00	14	17
B1801563000	12	54	B3126051000	2	33	D1454055BA0	14	11
B18025630A0	10	28	B3127051000	2	29	D1455055B00	14	13
B1804051000	12	43	B3128051000	2	39	D1456055B00	14	14
B1804512000	12	56	B3129053000	2	35	D1459241E00	14	1
B1807512000	12	53	B3132051000	2	34	D1462241E00	16	59
B1811051000	10	15	B3134051000	2	27	D1463241E00	16	60
B1811563000	10	38	B31370510A0	2	37	MC351501600	16	41
B1814051000	10	6	B3138512000	2	13	MDI300B2300	16	40
B1814563000	10	36	B32015620B0	30	5	NS6080210SP	20	40
B1815051000	10	26	B3401027000	26	34	NS6110420SP	10	41
B18160510A0	10	20	B34010270B0	26	33	NS6110530SP	14	16
B18170510A0	10	22	B3402027000	26	35	NS6110530SP	22	7
B1818051B00	10	25	B3403027000	26	41	NS6160520SP	16	51
B1820563000	10	5	B3404027000	26	37	NS6660430SP	14	8
B18210510A0	10	12	B34050270A0	26	43	NS6700420SP	16	56
B1822051000	10	8	B3406027000	28	46	PD02311000B	26	25
B1822563000	10	37	B3407027000	26	39	PS0200102KH	26	18
B18230510A0	10	1	B3408027000	26	36	PS0200122K0	2	32
B1824051000	10	9	B3409027000	26	38	RE0500000K0	12	48
B1824563000	10	35	B3409053000	26	19	RE0500711KP	20	44
B18300550A0	10	4	B3410027000	26	44	RE0800000K0	22	43
B18305630A0	10	33	B3410051000	26	22	SB115000200	8	46
B1830563BA0	12	42	B3411027000	28	47	SB115000700	12	55
B1838563000	4	52	B3413053000	26	24	SD0470281SP	2	28
B1839563000	4	56	B3416051000	26	28	SD0550801SP	26	31
B18400510A0	10	30	B3417051000	26	30	SD0630241SD	2	24
B1841563000	4	57	B3418562000	26	21	SD0640322TP	26	7
B1843563000	10	40	B8217053000	26	32	SD0640323TP	22	32
B1844563000	4	53	B82305620B0	30	2	SD0790361SP	26	23
B1846563000	4	59	B82305620C0	30	1	SD0790801SP	16	50
B1905053000	6	2	B9117051000	10	3	SD0800481SP	18	24
B19050530B0	6	1	B9117563000	10	32	SD0801601SP	18	23

NUMERICAL INDEX OF PARTS

PART NO	PAGE	REF NO.	PART NO	PAGE	REF NO.	PART NO	PAGE	REF NO.
SD095080ASP	16	54	SS7701010SP	8	51	SS9111820SP	22	8
SK3482500SC	30	6	SS7762840SP	10	16	SS9121340CP	22	9
SK3513200SC	30	3	SS8090410SP	26	2	SS9151440CP	18	11
SK3623200SC	28	49	SS8110510SP	2	17	SS9151630CP	22	25
SM6050802TP	16	67	SS8110510SP	12	51	SS9161610SP	14	12
SM6081542CP	22	27	SS8110510SP	22	21	SS9201813CP	26	45
SM8050502TP	20	57	SS8110520TP	22	12	SS9201813CP	28	45
SM9081620SE	26	40	SS8110750SP	12	52	TA0500601M0	6	26
SS2090710SP	2	10	SS8110750SP	20	59	WP0371016SD	10	10
SS2110920TP	4	49	SS8110750SP	22	23	WP0480856SP	14	37
SS3090610SP	2	12	SS8111251SP	2	41	WP0480856SP	22	10
SS4080610SP	2	38	SS8150410SP	20	52	WP0482086SD	14	15
SS5080710SP	18	14	SS8150510TP	10	31	WP0501016SC	30	7
SS6080210SP	20	39	SS8150710SP	6	45	WP0621016SD	18	12
SS6090810SP	10	11	SS8150710SP	10	27	WP0753016SZ	10	17
SS6090910TP	18	7	SS8150710SP	22	3	WP0850002SC	28	50
SS6110710TP	14	29	SS8150710SP	28	48	WP0982616SP	20	60
SS6151440SP	16	49	SS8150750SP	12	57			
SS6151780SP	14	20	SS8151150SP	6	47			
SS6151920SP	16	58	SS8151150SP	8	47			
SS6153040SP	10	19	SS8151150SP	10	7			
SS7080510TP	16	43	SS8151150SP	14	32			
SS7090520SP	2	14	SS8151230SP	6	36			
SS7090540TP	22	19	SS8151230SP	10	34			
SS7090610SP	2	2	SS8151280SP	22	36			
SS7090710SP	24	47	SS8151550SP	12	44			
SS7090910SP	14	34	SS8151550SP	20	41			
SS7091310SP	18	2	SS8151780SP	8	50			
SS7110510SP	2	55	SS8152030SP	8	49			
SS7110510SP	4	55	SS8152030SP	10	29			
SS7110510SP	16	70	SS8152030SP	26	13			
SS7110510SP	26	29	SS8152080SP	26	14			
SS7110540SP	26	27	SS8620610TP	20	48			
SS7110720SP	2	15	SS8660530TP	6	33			
SS7110910SP	14	3	SS8660530TP	10	23			
SS7111310SP	18	28	SS8660670SP	10	24			
SS7111410SP	20	63	SS8660810TP	10	21			
SS7121410SP	22	35	SS8660810TP	22	42			
SS7150740SP	6	9	SS8661040TP	6	34			
SS7151120SP	16	68	SS8661040TP	22	41			
SS7151210SP	22	45	SS8680540SP	6	20			
SS7620750SP	22	37	SS8680730SP	6	21			
SS7621040SP	16	61	SS8681650TP	6	22			
SS7661110TH	26	11	SS8681950SP	6	39			
SS7681750TP	6	40	SS9111010SP	14	38			