

MODEL : MOL-154

List No : 1078-03

# PARTS LIST

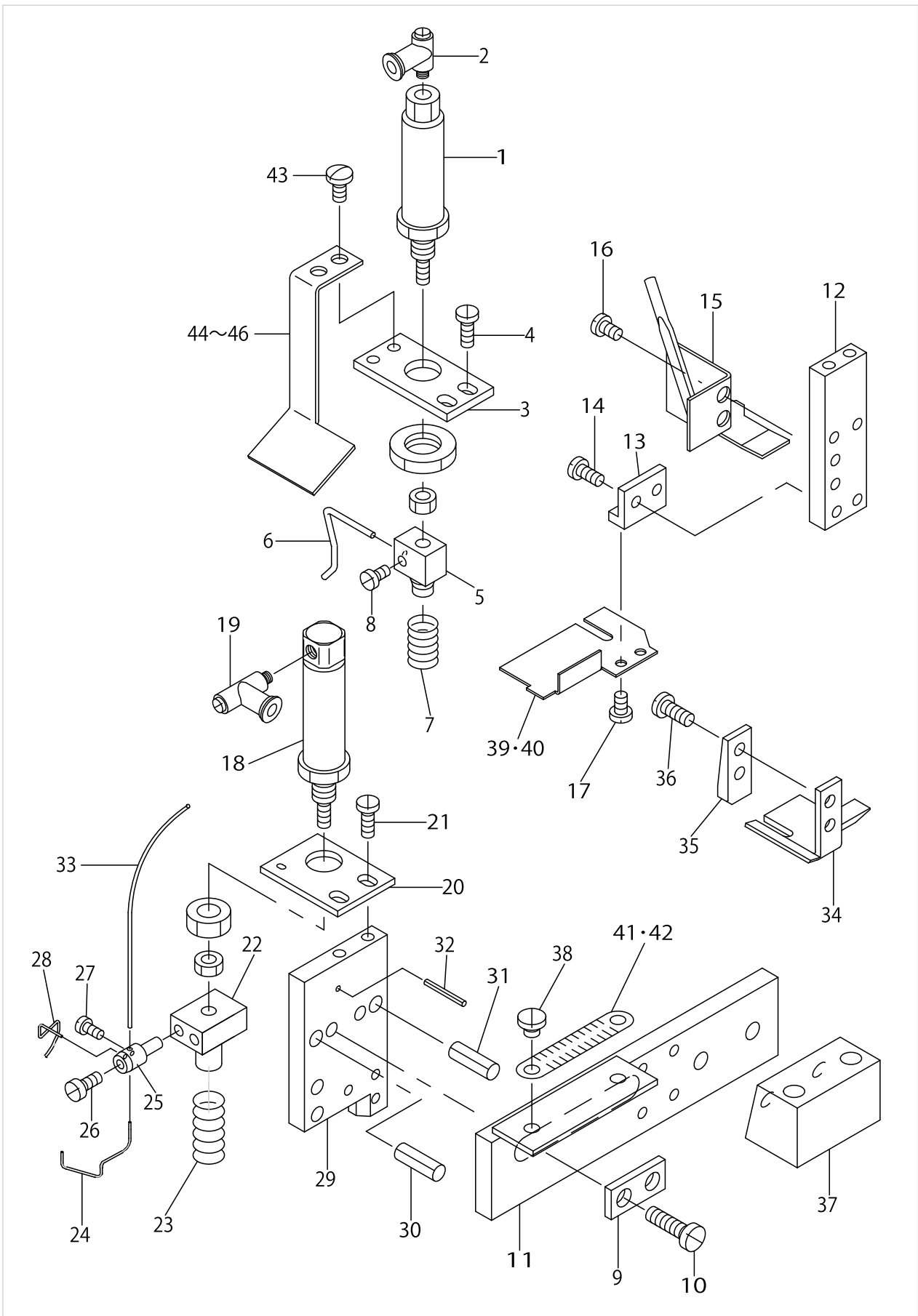
Published:05/12/2017

## CONTENTS

---

BELT LOOP SUPPORT COMPONENTS.....	1
BELT LOOP SUPPLY COMPONENTS.....	5
BELT LOOP BENDER COMPONENTS .....	7
BELT LOOP SEND COMPONENTS .....	11
KNIFE COMPONENTS.....	15
START SWITCH COMPONENTS.....	17
CONTROL BOX COMPONENTS .....	19
OPERATION BOX PANEL COMPONENTS.....	21
TABLE POWER SWITCH COMPONENTS.....	23
SUPPLY DEVICE BASE COMPONENTS .....	25
PNEUMATIC COMPONENTS .....	27
BELT RELEASE DEVICE COMPONENTS(OPTION) .....	29
BELT SEND OUT DEVICE COMPONENTS(OPTION) .....	31
CHIP VACUUM DEVICE COMPONENTS(OPTION).....	33
LOWER THREAD COUNTER DEVICE COMPONENTS(OPTION).....	35
TRANSFORMATION LOOP GUIDE DEVICE COMPONENTS(OPTION) .....	37
LIFTING STAND COMPONENTS(OPTION) .....	39
HOW TO MAKE USE OF THIS PARTS LIST .....	41

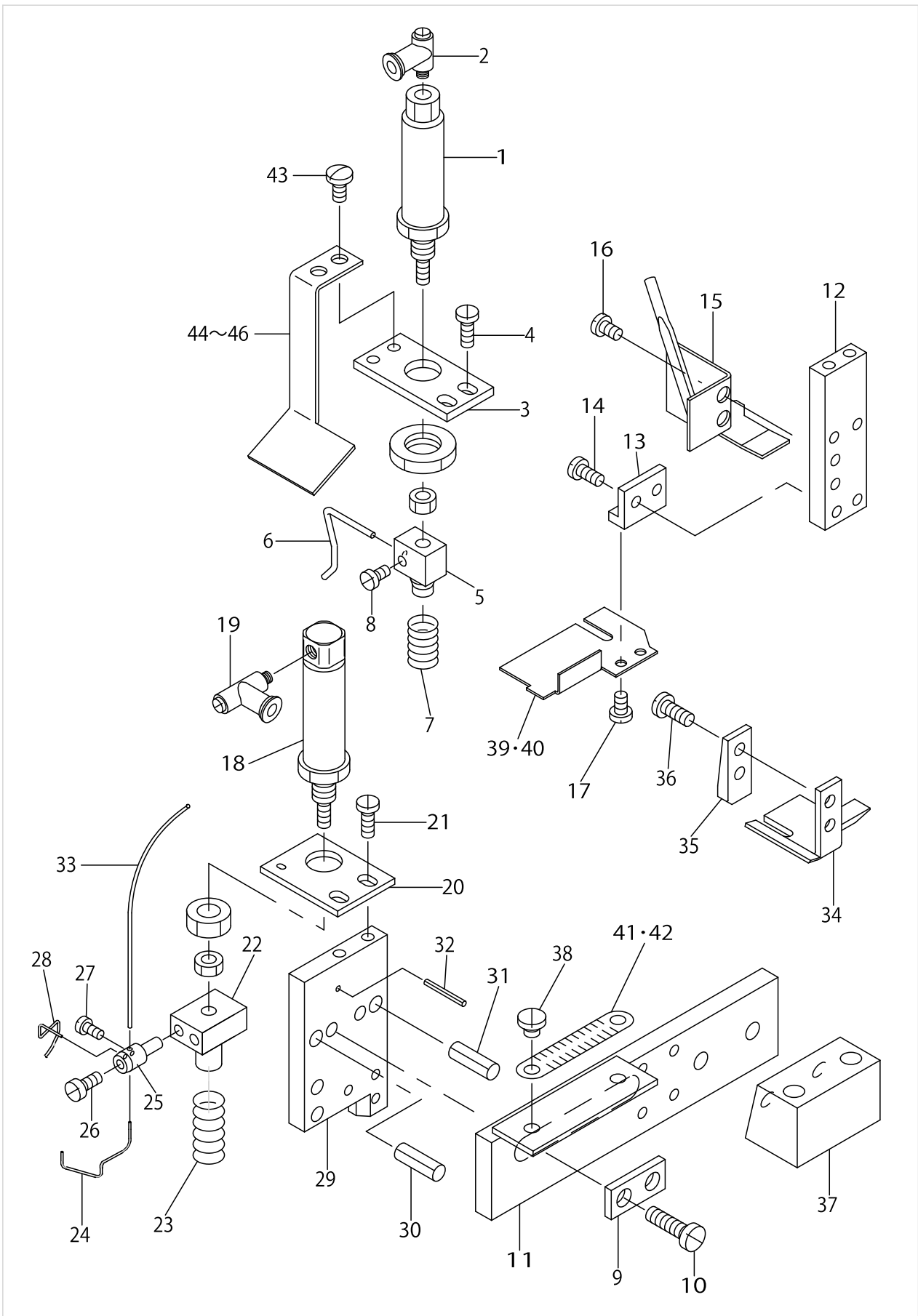
BELT LOOP SUPPORT COMPONENTS



BELT LOOP SUPPORT COMPONENTS

No.	Supply Code	Parts No.	Replacement	Parts name	Remarks	Choice	Step	Level	Cons	Qty	Rep. QTY
1		PA1001525A0		CYLINDER						1	
2		PJ304040502		SWING ELBOW						1	
3		G5041154000		REAR CYLINDER FITTING PLATE						1	
4		SS7090710SL		SCREW 9/64-40 L=6.8						2	
5		G5224100000		LOOP PRESSUR CY- LINDER BRACKET						1	
6	D	G5051154000		LOOP REAR GUIDE						1	
7		G5168100000		PRESSER SPRING						1	
8	R	SS4080610SP	SS4080620TP	SCREW 1/8-44 L=6.4						1	1.00
9	D	G5162103000		BINDER LOCK NUT PLATE						1	
10	R	SS7111410SP	SS7111410TP	SCREW 11/64-40 L=14						1	1.00
11		G5035154000		ADJUSTER RAIL						1	
12		G5038154000		REAR ARM						1	
13		G5157122000		BINDER L-HEAD PLATE, REAR						1	
14		SS7090710SL		SCREW 9/64-40 L=6.8						2	
15	D	G5032154000		UPPER LOOPER GUIDE						1	
16		SS7090510SP		SCREW 9/64-40 L=4.6						2	
17		SS7090510SP		SCREW 9/64-40 L=4.6						2	
18		PA1002506A0		CYLINDER						1	
19		PJ304040502		SWING ELBOW						1	
20	D	G5040154000		FRONT CYLINDER FITTING PLATE						1	
21		SS7090710SL		SCREW 9/64-40 L=6.8						2	
22	D	G5169103000		LOOP PRESSURE C- YLINDER BRACKET						1	
23		G5168100000		PRESSER SPRING						1	
24	D	G5039154000		PRESSER METALLIC FITTING						1	
25		G5170100000		BELT-LOOP FRONT GUIDE SHAFT						1	
26	R	SS4080610SP	SS4080620TP	SCREW 1/8-44 L=6.4						1	1.00
27		SS6080410SP		SCREW 1/8-44 L=4						1	
28	D	G5033154000		FRONT GUIDE METALLIC FITTING						1	
29	D	G5037154000		FRONT ARM						1	
30		PS0500102KH		SPRING PIN 5.0X10						1	
31		PS0500102KH		SPRING PIN 5.0X10						1	
32		PS0160122KH		SPRING PIN 1.6X12						1	
33	D	G5160100000		LOOP PRESSURE C- YLINDER GUIDE,						1	
34		G5034154000		LOOP FRONT HOLDING PLATE						1	
35		G5042154000		WASHER PLATE						1	
36		SS7090710SL		SCREW 9/64-40 L=6.8						2	
37	D	G5036154000		ADJUTER RAIL BASE.						1	
38		SS6060220SP		SCREW 3/32-56 L=2.0						2	
39		G515812200A		LOOP REAR RECEIVER	FOR 41~6- 5MM (1-39- /64"~2-9/16")					1	
40	D	G515812200B		LOOP REAR RECEIVER	FOR 60~7- 8MM (2-23- /64"~3-5/64")					1	
41	D	G5122100000		SCALE (METER)						1	
42	D	G512210000A		SCALE (INCH)						1	
43		SS7090710SP		SCREW 9/64-40 L=6.8						2	

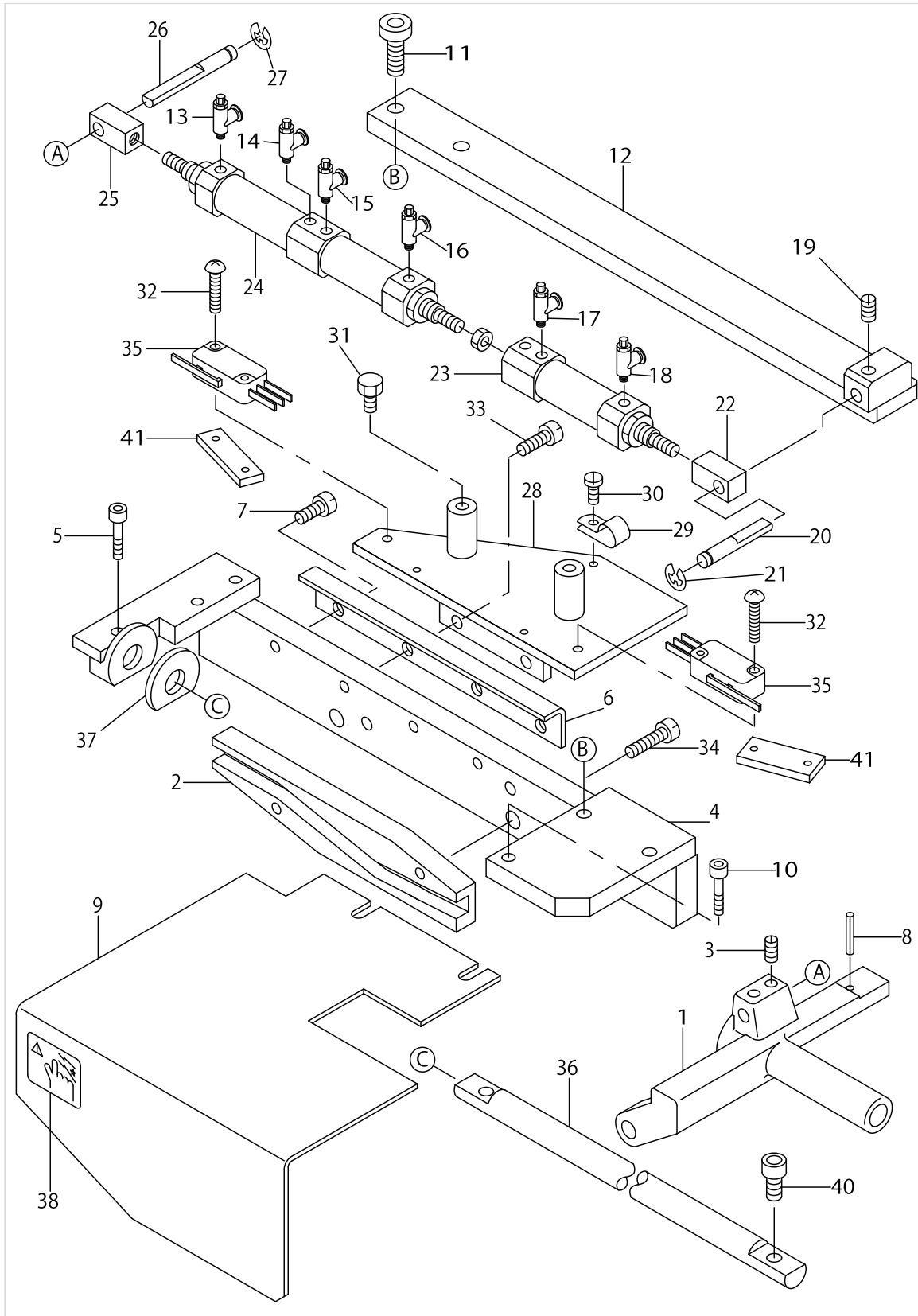
BELT LOOP SUPPORT COMPONENTS



BELT LOOP SUPPORT COMPONENTS

No.	Supply Code	Parts No.	Replacement	Parts name	Remarks	Choice	Step	Level	Cons	Qty	Rep. QTY
44	D	G5307154000		STOPPER PLATE,55-62MM	FOR 55~6-2MM (2-11- /64"~2-7/16")					1	
45	D	G5308154000		STOPPER PLATE,63-70MM						1	
46	D	G5309154000		STOPPER PLATE,71-78MM	FOR 71~7-8MM (2-25- /32"~3-5/64")					1	

BELT LOOP SUPPLY COMPONENTS

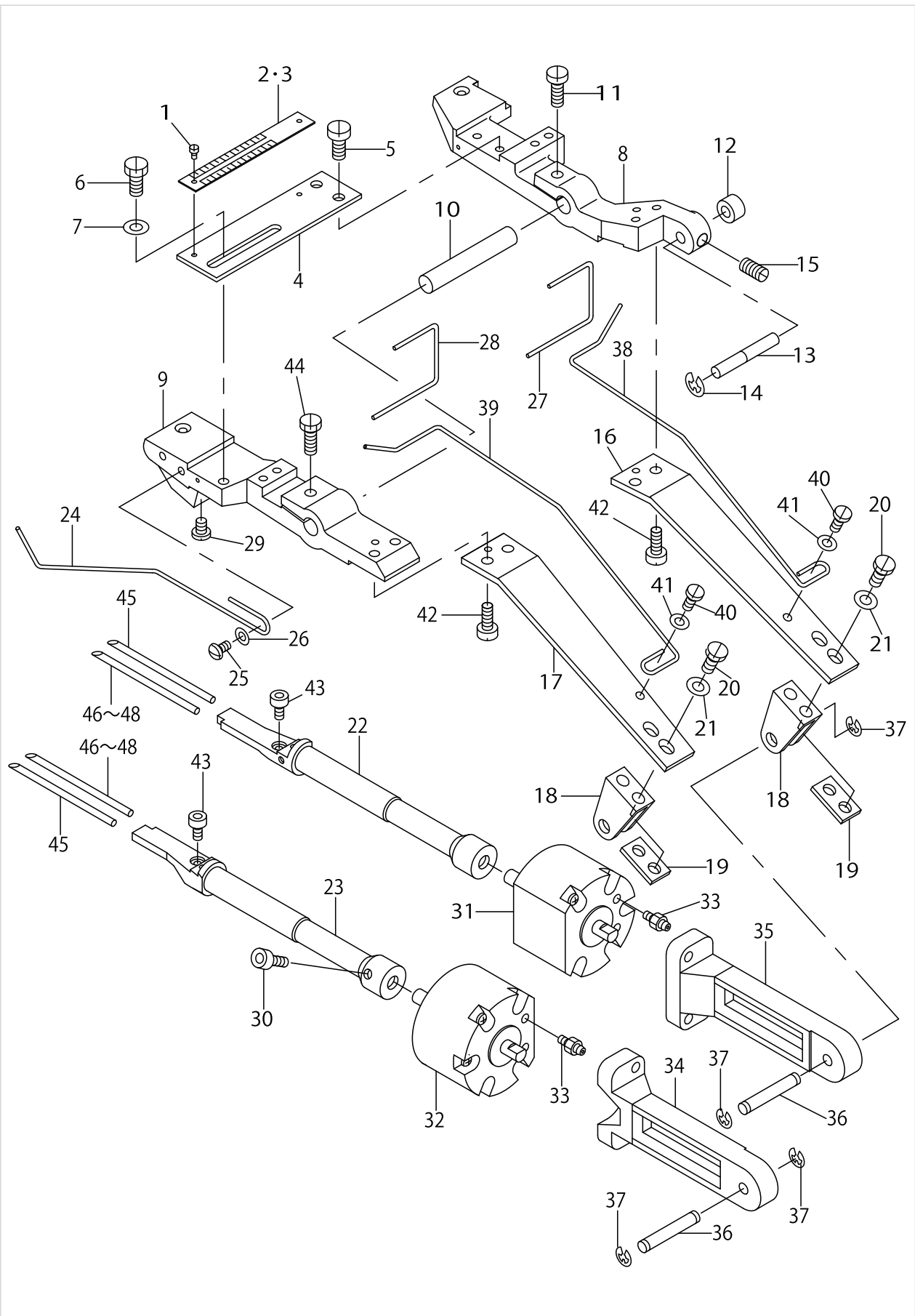


BELT LOOP SUPPLY COMPONENTS

No.	Supply Code	Parts No.	Replacement	Parts name	Remarks	Choice	Step	Level	Cons	Qty	Rep. QTY
1		G5060154000		SLIDING BASE						1	
2	D	G5062154000		SUPPLY CAM						1	
3		SS8150810SP		SCREW 15/64-28 L=8						2	
4		G5056154000		SUPPLY FRAME						1	
5		SM6051602TP		SCREW M5X0.8 L=16						2	
6	D	G5061154000		SLIDING GUIDE						1	
7	R	SM6051002SP	SM6051002TP	SCREW M5 L=10						1	1.00
8		PS0300242K0		SPRING PIN 3.0X24						1	
9		G5066154000		LOOP SUPPLY COVER						1	
10		SM6051602TP		SCREW M5X0.8 L=16						2	
11	R	SM6052502SP	SM6052502TP	SCREW M5 L=25						2	1.00
12		G5064154000		CYLINDER FITTING METALLIC						1	
13		PC010508000		SPEED CONTROLLER						1	
14		PC010508000		SPEED CONTROLLER						1	
15		PC010508000		SPEED CONTROLLER						1	
16		PC010508000		SPEED CONTROLLER						1	
17		PC010508000		SPEED CONTROLLER						1	
18		PC010508000		SPEED CONTROLLER						1	
19		SS8150810SP		SCREW 15/64-28 L=8						1	
20	D	G5186100000		MOVING CYLINDER PIN						1	
21		RE0500000K0		E-RING						2	
22		G5195100000		CYLINDER CONNECTING PIN						1	
23	D	PA1602301A0		CYLINDER						1	
24		PA1610801A0		CYLINDER						1	
25		G5195100000		CYLINDER CONNECTING PIN						1	
26	D	G5186100000		MOVING CYLINDER PIN						1	
27		RE0500000K0		E-RING						1	
28	D	G5065154000		SWITCH FITTING PLATE						1	
29		HX00150000D		CABLE CLIP						1	
30		SS7090710SP		SCREW 9/64-40 L=6.8						1	
31		SM9051003SE		SCREW M5 L=10						2	
32	D	SM4862001SC		SCREW M2.6 L=20						4	
33	D	SM6051202SP		SCREW M5X0.8 L=12						2	
34		SM6051602TP		SCREW M5X0.8 L=16						2	
35	D	HA002660000		MICRO SWITCH						2	
36	D	G5057154000		GUIDE SHAFT.						1	
37	D	G5058154000		RUBBR PLATE						1	
38	D	22450704		SEAL						1	
39	D	G5063154000		WASHER						1	
40		SM6051002TP		SCREW M5X0.8 L=10						2	
41		G5089100000		MICROSWITCH NUT PLATE						2	



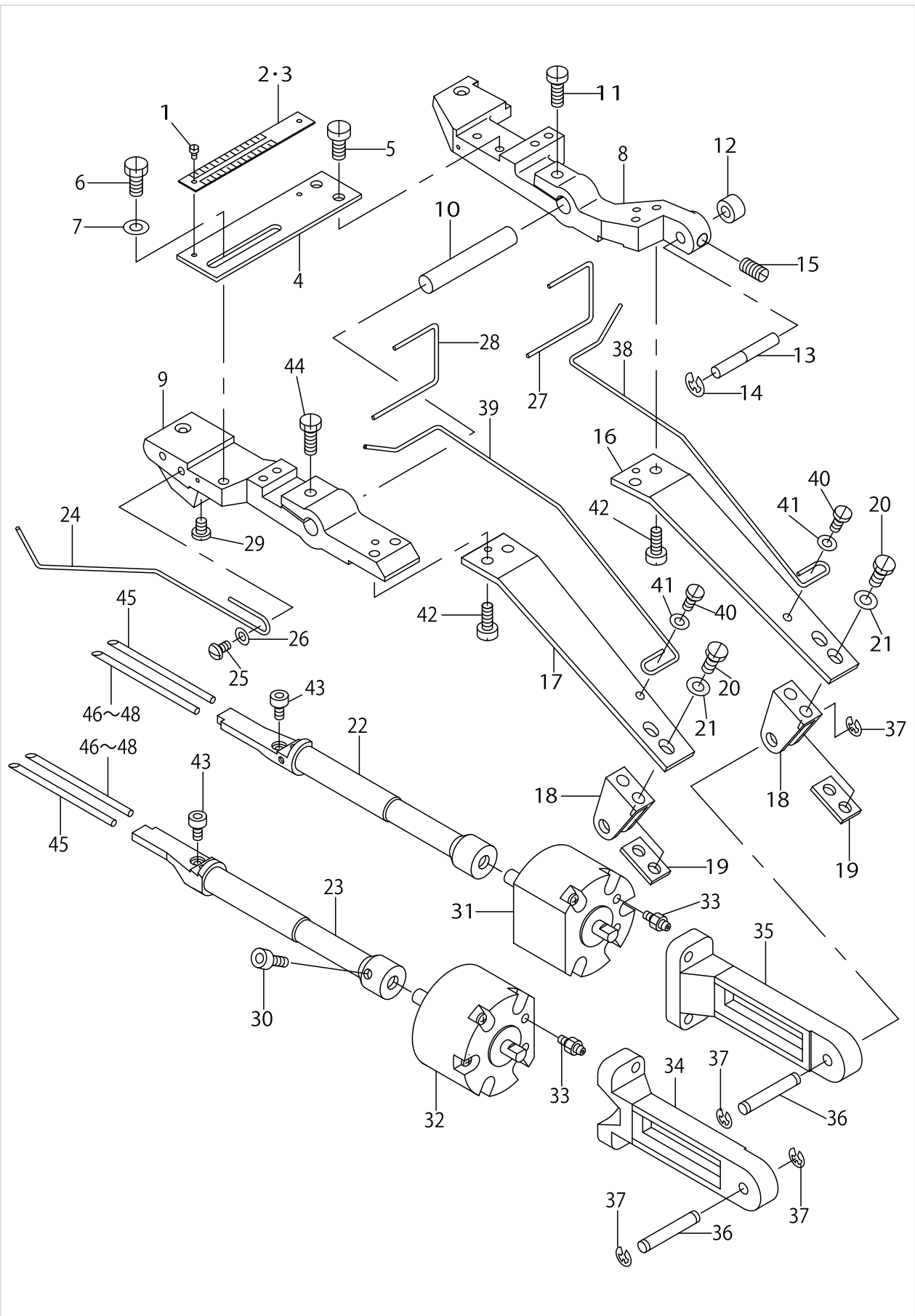
# BELT LOOP BENDER COMPONENTS



BELT LOOP BENDER COMPONENTS

No.	Supply Code	Parts No.	Replacement	Parts name	Remarks	Choice	Step	Level	Cons	Qty	Rep. QTY
1		SS6060220SP		SCREW 3/32-56 L=2.0						2	
2	D	G5071154000		SCALE PLATE (METER)						1	
3	D	G5070154000		SCALE PLATE (INCH)						1	
4		G5069154000		CONNECTING PLATE						1	
5	R	SS6111010SP	SS6111010TP	SCREW 11/64-40 L= 9.5						1	1.00
6		SS9111010SP		SCREW 11/64-40 L=9.5						1	
7		WP0450801SD		WASHER 4.5X10X0.8						1	
8	D	G5068154000		SHAFT METAL						1	
9		G5067154000		SHAFT METAL						1	
10	D	G5187103000		SUPPLY CAM LEVER SHAFT						1	
11		SS6111140SP		SCREW 11/64-40 L=11						1	
12		G5281100000		BELT-LOOP SUPPLY CAM BALL						1	
13	D	G5280100000		BELT-LOOP SUPPLY CAM SHAFT						1	
14		RE0500000K0		E-RING						1	
15		SS8150810SP		SCREW 15/64-28 L=8						1	
16	D	G5265103000		CYLINDER PLATE, REAR						1	
17	D	G5263103000		CYLINDER PLATE, FRONT						1	
18	D	G5273100000		CYLINDER INSTALLING PLATE						2	
19	D	G5275100000		FOLDER ROTATION CYLINDER NUT P						2	
20		SS9111010SP		SCREW 11/64-40 L=9.5						4	
21		WP0450801SD		WASHER 4.5X10X0.8						4	
22	D	G5166154000		SHAFT						1	
23		G5165154000		SHAFT						1	
24		G5251100000		FRONT AUXILIARY GUIDE PIN						1	
25		SS7090510SP		SCREW 9/64-40 L=4.6						2	
26		WP0450801SD		WASHER 4.5X10X0.8						2	
27	D	G5072154000		STOPPER						1	
28	D	G5072154000		STOPPER						1	
29		SS7090510SP		SCREW 9/64-40 L=4.6						2	
30		SM6040802TP		SCREW M4X0.7 L=8						2	
31	D	G5262103000		ROTARY ACTUATOR						1	
32	D	G5262103000		ROTARY ACTUATOR						1	
33		PJ032059006		BARB JOINT						4	
34	D	G5266103000		CYLINDER BASE						1	
35	D	G5266103000		CYLINDER BASE						1	
36		G5274100000		CYLINDER HOLDING PIN						2	
37		RE0400000K0		E-RING 4						4	
38	D	G5272103000		FOLDER SHAFT SPRING, REAR						1	
39		G5271103000		FOLDER SHAFT SPRING, FRONT						1	
40		SS7090710SL		SCREW 9/64-40 L=6.8						2	
41		WP0450801SD		WASHER 4.5X10X0.8						2	
42	R	SS6111010SP	SS6111010TP	SCREW 11/64-40 L= 9.5						4	1.00
43		SM6030502TP		BOLT M3X5						2	
44		SS9111510SP		SCREW 11/64-40 L=15						1	
45	D	G5167154000		FOLDER PIN, LOWER						2	
46	D	G5167154000		FOLDER PIN, LOWER						2	

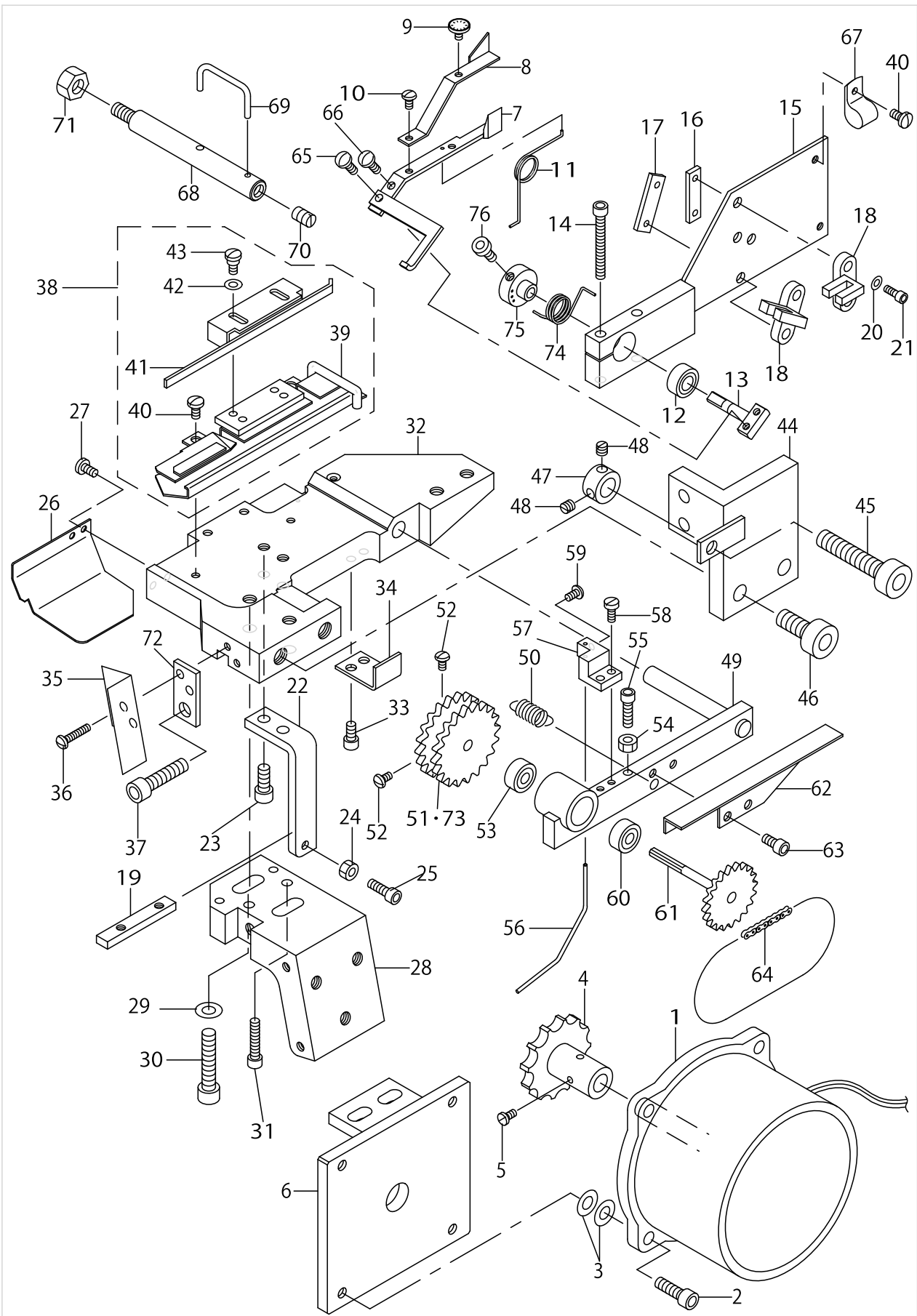
BELT LOOP BENDER COMPONENTS



BELT LOOP BENDER COMPONENTS

No.	Supply Code	Parts No.	Replacement	Parts name	Remarks	Choice	Step	Level	Cons	Qty	Rep. QTY
47	D	G5168154000		FOLDER PIN, UPPER (4MM)	ACCESSO- RIES PART					2	
48	D	G5169154000		FOLDER PIN, UPPER (2.6MM)	ACCESSO- RIES PART					2	

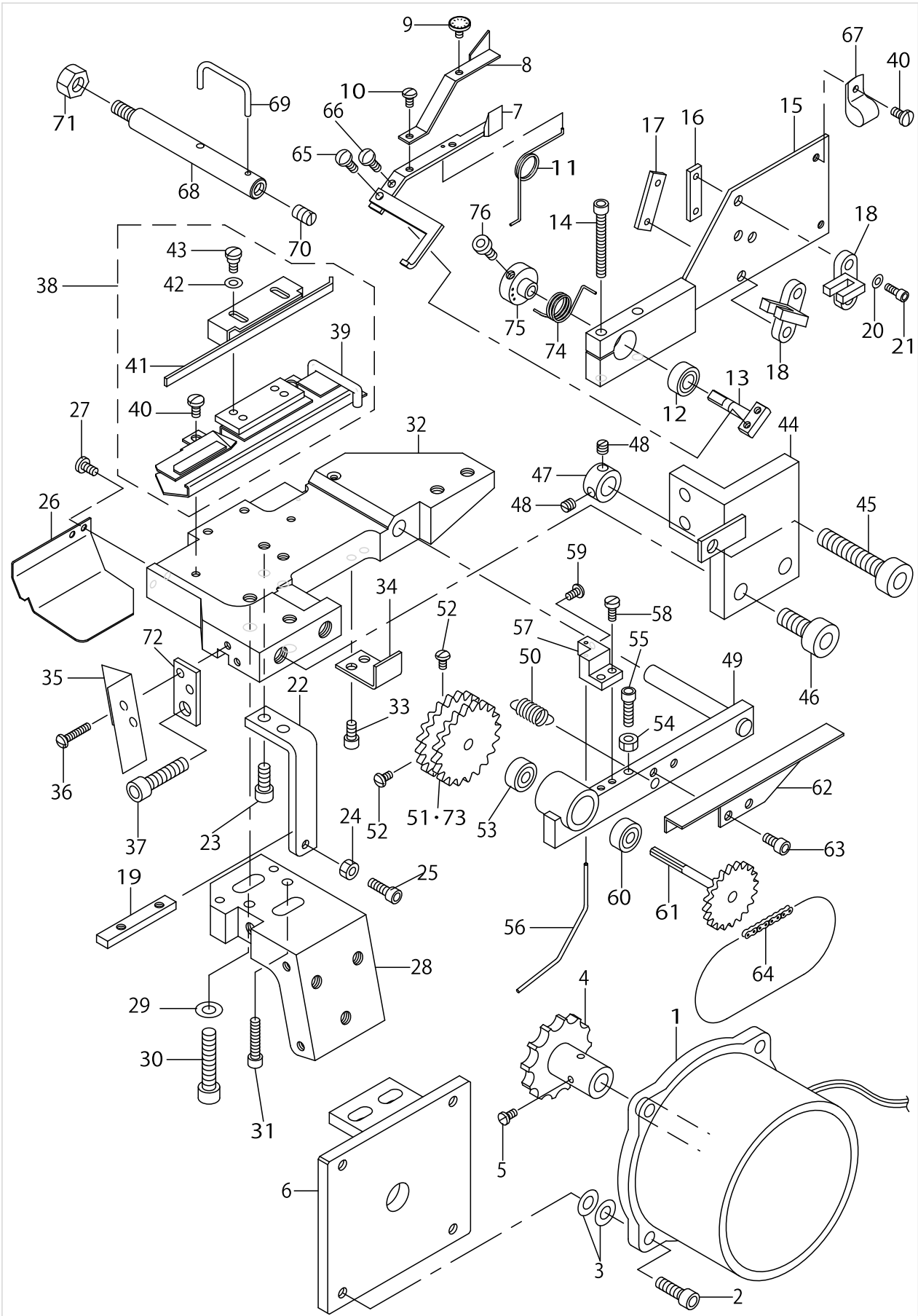
BELT LOOP SEND COMPONENTS



BELT LOOP SEND COMPONENTS

No.	Supply Code	Parts No.	Replacement	Parts name	Remarks	Choice	Step	Level	Cons	Qty	Rep. QTY
1	D	G61901030A0		LOOP FEEDING MOTOR ASM.						1	
2		SM6051602TP		SCREW M5X0.8 L=16						4	
3		B2107816000		WASHER						8	
4	D	G5718100000		MOTOR SPROCKET						1	
5	R	SS4080610SP	SS4080620TP	SCREW 1/8-44 L=6.4						2	1.00
6	D	G5013154000		MOTOR BRACKET						1	
7		G5029154000		DETECTOR ADJUSTING PLATE						1	
8	D	G5030154000		DETECTOR ADJUSTING PLATE						1	
9	D	G5235200000		REGULATING SCREW						1	
10		SS4080415SP		SCREW 1/8-44 L=4						1	
11	D	G5233100000		SPRING						1	
12	D	G2431122000		BEARING						2	
13	D	G5225154000		METAL SHAFT						1	
14		SM6043552TN		SCREW M4 L=35						2	
15	D	G5028154000		DETECTOR BASE						1	
16	D	G5031154000		PLATE						1	
17	D	G5031154000		PLATE						1	
18		HD000760000		DETECTOR SWITCH						2	
19	D	G5003154000		FEEDINGBASEPLATE						1	
20		WP0320500SC		WASHER M3						4	
21		SM6030802TN		BOLT						4	
22		G5009154000		ROLLER LEVER SPRING RACK						1	
23		SM6051202TP		SCREW M5X0.8 L=12						2	
24		NM6040003SC		NUT M4						1	
25		SM6041202TN		SCREW M4X0.7 L=12						1	
26		G5025154000		PLATE						1	
27		SS7090710SL		SCREW 9/64-40 L=6.8						2	
28		G5002154000		BRACKET						1	
29		WP0641601SC		WASHER						2	
30		SM6063002TP		SCREW M6 L=30						2	
31		SM6042002TN		BOLT						2	
32	D	G5001154000		LOOP FEEDING BASE						1	
33		SM6040802TN		SCREW						2	
34		G5005154000		LEVER GUIDE PLATE						1	
35	D	G5026154000		CHIP PLATE						1	
36	R	SS4080610SP	SS4080620TP	SCREW 1/8-44 L=6.4						2	1.00
37		SM6062502TN		HEXAGONAL-HOLE BOLT						1	
38	D	G50151540A0		ADJUSTING BINDER ASM.						1	
39	D	G5015154000		LOOP BINDER				*		1	
40		SS7090710SP		SCREW 9/64-40 L= 6.8				*		2	
41		G5016154000		BINDER REMOVING RULER				*		1	
42		WP0450801SD		WASHER 4.5X10X0.8				*		2	
43		G5723100000		SCREW				*		2	
44		G5020154000		KNIFE INSTALING PLATE						1	
45		SM6064002TN		HEXAGONAL-HOLE BOLT						1	
46		SM6082002TN		SCREW M8 L=20						2	

BELT LOOP SEND COMPONENTS

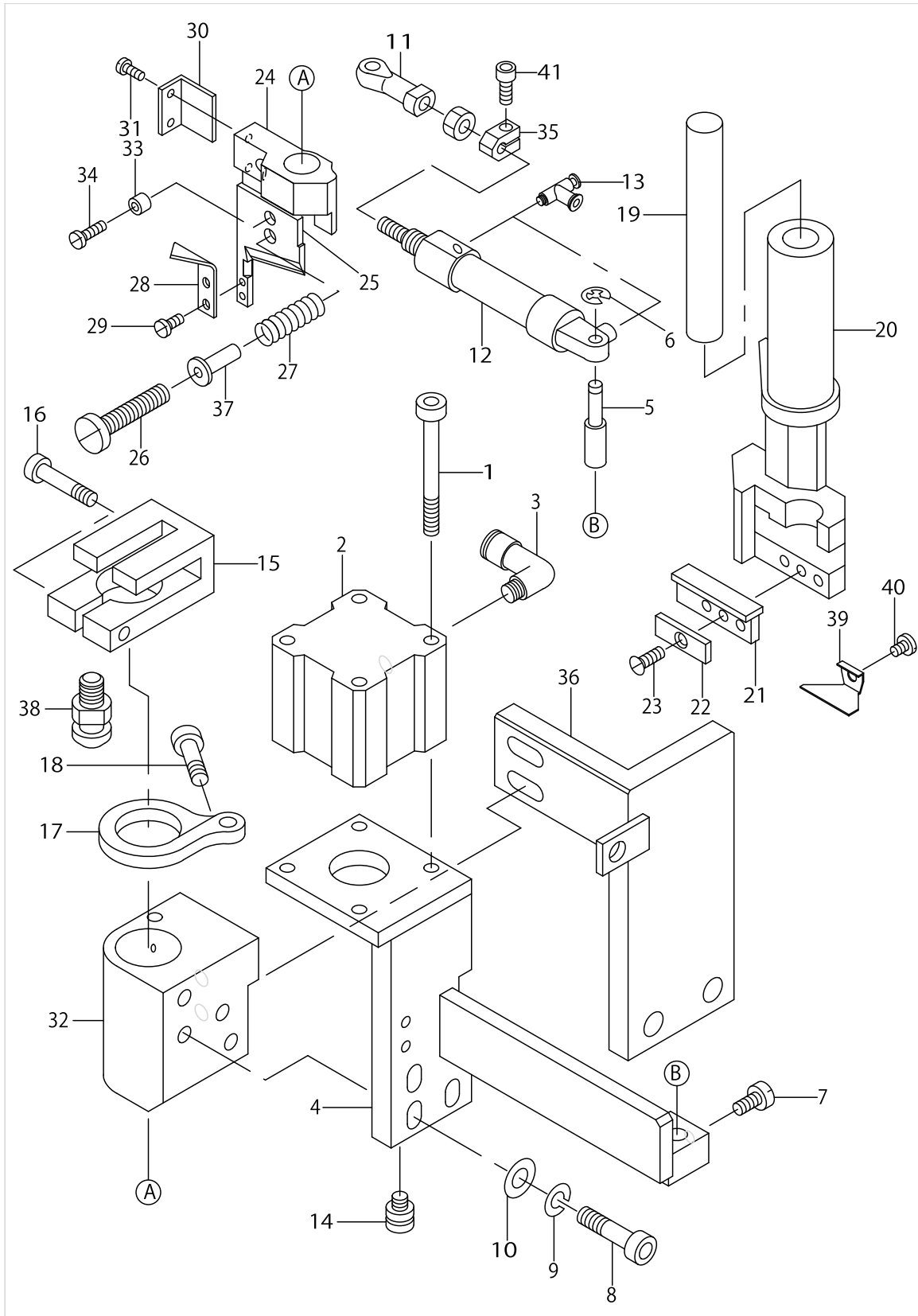


BELT LOOP SEND COMPONENTS

No.	Supply Code	Parts No.	Replacement	Parts name	Remarks	Choice	Step	Level	Cons	Qty	Rep. QTY
47	D	G5204100000		COLLAR						1	
48		SS8110310SP		SCREW 11/64-40 L= 2.8						2	
49		G5006154000		ROLLER LEVER						1	
50	D	G5707100000		LOOP FEEDING ROLLER SPRING						1	
51	D	G5012154000		ROLLER(60 COGS)						1	
52	R	SS4080610SP	SS4080620TP	SCREW 1/8-44 L=6.4						2	1.00
53		G5222200000		BEARING						2	
54		NM6040001SD		NUT M4						1	
55	D	G5403154000		SCREW						1	
56		G5010154000		LOOP GUIDE						1	
57		G5011154000		LOOP GUIDE SUPPORT						1	
58		SS6080810SP		SCREW 1/8-44 L= 8.0						2	
59	R	SS4080610SP	SS4080620TP	SCREW 1/8-44 L=6.4						1	1.00
60		G5222200000		BEARING						1	
61	D	G5220200000		ROLLER SPROCKET						1	
62	D	G5008154000		CHAIN COVER						1	
63		SM6040802TN		SCREW						2	
64	D	G5007154000		ROLLER CHAIN						1	
65	R	SS4080610SP	SS4080620TP	SCREW 1/8-44 L=6.4						1	1.00
66	R	SS4080610SP	SS4080620TP	SCREW 1/8-44 L=6.4						1	1.00
67	D	HX000230000		CLAMP						2	
68	D	G5017154000		BELT-LOOP GUIDE BAR						1	
69		G5020500000		BELT-LOOP GUIDE						1	
70		SS8150920SP		SET-SCREW						1	
71	R	NS6150430SN	NS6150430SP	NUT 15/64-28						1	1.00
72	D	G5004154000		GUIDE SCREW SUPPORT						1	
73	D	G5219200000		ROLLER	FOR LIGHT-WEIGHT MATERIALS (OPTION)					1	
74	D	G5226154000		SPRING						1	
75		G5227154000		COLLAR						1	
76		SM6041002TN		BOLT						1	



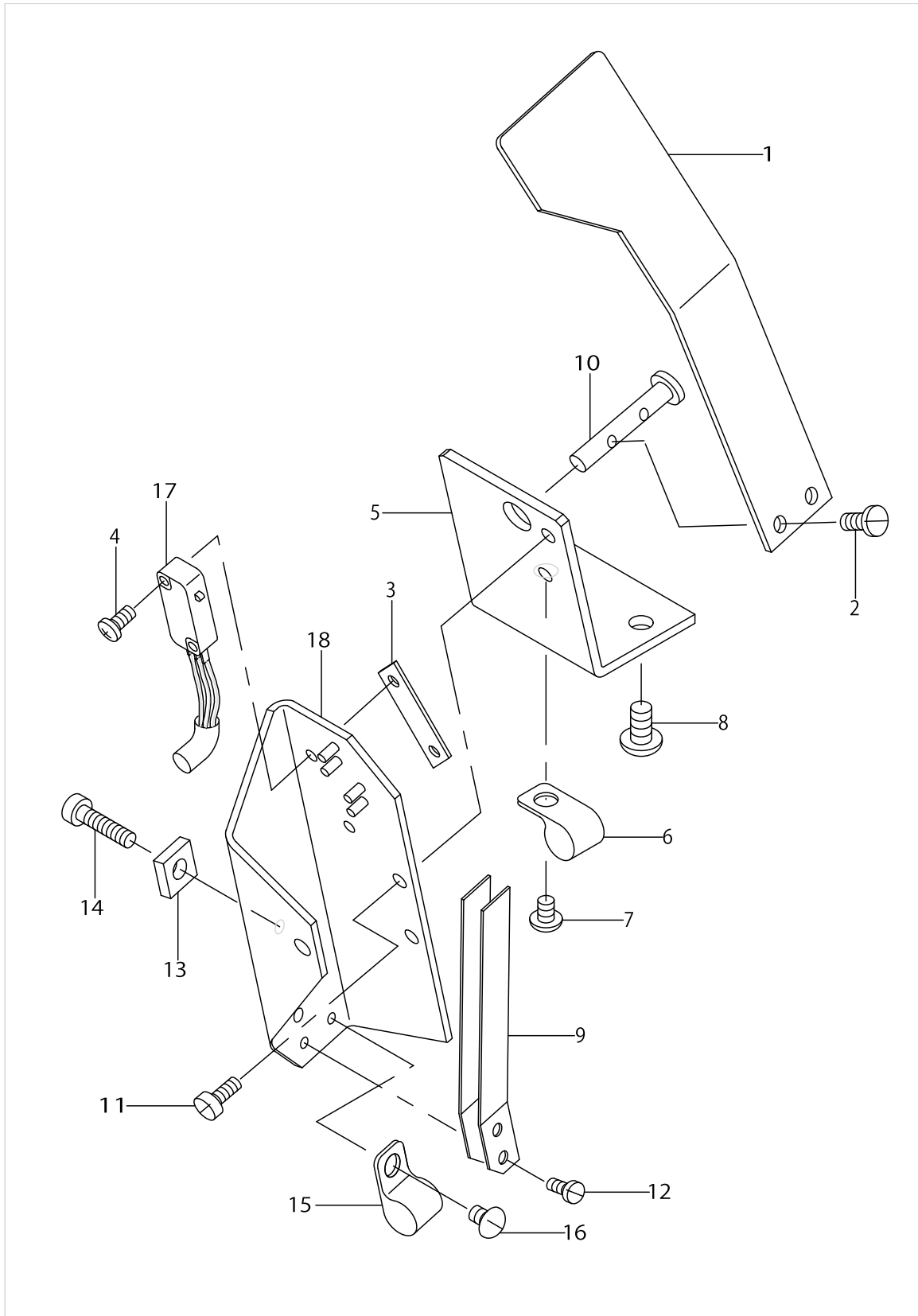
# KNIFE COMPONENTS



KNIFE COMPONENTS

No.	Supply Code	Parts No.	Replacement	Parts name	Remarks	Choice	Step	Level	Cons	Qty	Rep. QTY
1		SM6054002TN		SCREW M5X0.8 L=40						4	
2		PA320110200		CYLINDER						1	
3		PJ304065101		ELBOW UNION 6XPT1/8						2	
4	D	G5022154000		FITTING BRACKET						1	
5		G5753103000		PIN						1	
6		RE0400000K0		E-RING 4						1	
7		SS9111010SP		SCREW 11/64-40 L=9.5						1	
8	D	SM6062002TR		SCREW M6 L=20						3	
9		WS0610002KN		SPRING WASHER 6.1X12.2X1.5						3	
10		WP0641601SC		WASHER						3	
11	D	G5760103000		CYLINDER BRACKET						1	
12	R	PA1003503A0	PA1003504A0	CYLINDER						1	1.00
13		PJ304040502		SWING ELBOW						2	
14		G5762103000		FITTING SCREW PIN						1	
15	D	G5521103000		SHAFT HOLDER						1	
16		SM6052002TR		SCREW M5 L=20						1	
17		G5752103000		FIXED KNIFE BASE						1	
18	R	SM6051552SP	SM6051552TP	SCREW M5 L=15						1	1.00
19		G5517103000		MOVINGKNIFESHAFT						1	
20	D	G5502103000		FIXED KNIFE BASE						1	
21	D	G5503103000		FIXED KNIFE						1	
22		G5504103000		FIXED KNIFE PLATE						1	
23		SS2090710TP		SCREW 9/64-40 L=7.2						1	
24	D	G5506103000		MOVING KNIFE BASE						1	
25	D	G5511103000		MOVING KNIFE						1	
26	D	G5513103000		SCREW						1	
27	D	G5514103000		SPRING						1	
28	D	G5516103000		LOOP RECEIVER						1	
29	R	SS4080610SP	SS4080620TP	SCREW 1/8-44 L=6.4						2	1.00
30	D	G5507103000		MOVING KNIFE BASE STOPPER						1	
31		SS7090710SP		SCREW 9/64-40 L=6.8						2	
32	D	G5021154000		BUSHING						1	
33	D	G5512103000		COLLAR						1	
34		SS6080810SP		SCREW 1/8-44 L= 8.0						1	
35		G5023154000		COLLAR						1	
36		G5020154000		KNIFE INSTALING PLATE						1	
37	D	G5515103000		SPRING COLLAR						1	
38		G5762103000		FITTING SCREW PIN						1	
39	D	G5505103000		KNIFE BASE LOOP GUIDE						1	
40	R	SS7090510SL	SS7090510SP	SCREW 9/64-40 L=4.6						1	1.00
41		SM6041002TN		BOLT						1	

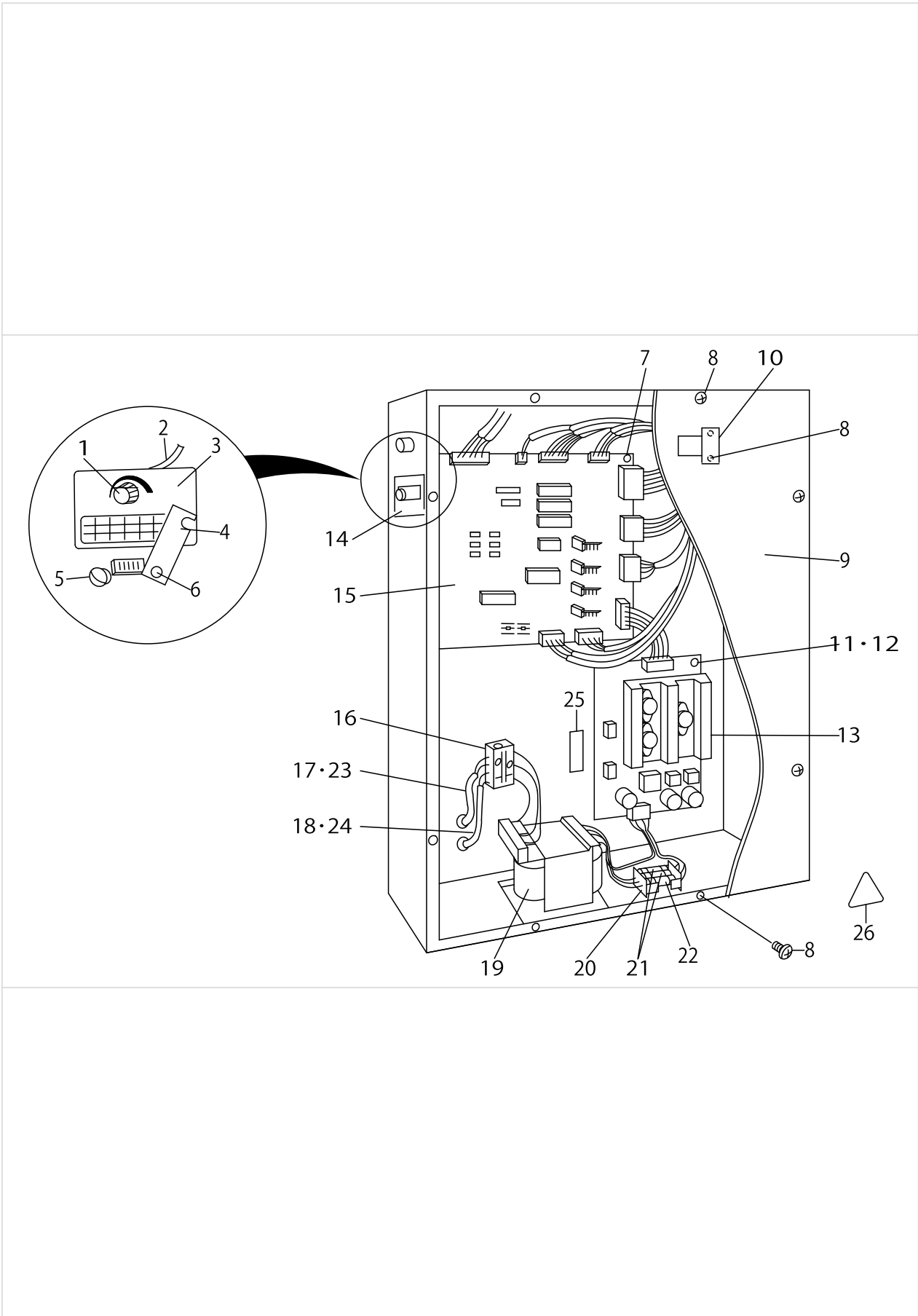
# START SWITCH COMPONENTS



START SWITCH COMPONENTS

No.	Supply Code	Parts No.	Replacement	Parts name	Remarks	Choice	Step	Level	Cons	Qty	Rep. QTY
1	D	G5077154000		SWITCH PUSHING PLATE						1	
2		SS7090510SP		SCREW 9/64-40 L= 4.6						2	
3		G5089100000		MICROSWITCH NUT PLATE						1	
4	D	SM4861601SC		SCREW M2.6 L=16						2	
5	D	G5078154000		SWITCH FITTING PLATE						1	
6	D	HX000230000		CLAMP						1	
7		SS7090510SP		SCREW 9/64-40 L= 4.6						1	
8		SM0051001SC		SCREW						2	
9	D	G5420100000		SPRING PLATE						2	
10		G5421100000		PIVOT PIN						1	
11	R	SS6111010SP	SS6111010TP	SCREW 11/64-40 L= 9.5						2	1.00
12		SS7090510SP		SCREW 9/64-40 L= 4.6						2	
13		NS6110350SP		NUT 11/64-40						1	
14		SS9111510SP		SCREW 11/64-40 L=15						1	
15	D	HX000230000		CLAMP						1	
16		SS7090510SP		SCREW 9/64-40 L= 4.6						1	
17	D	G5061100000		MICROSWITCH						1	
18	D	G5417103000		SWITCH INSTALLING PLATE						1	

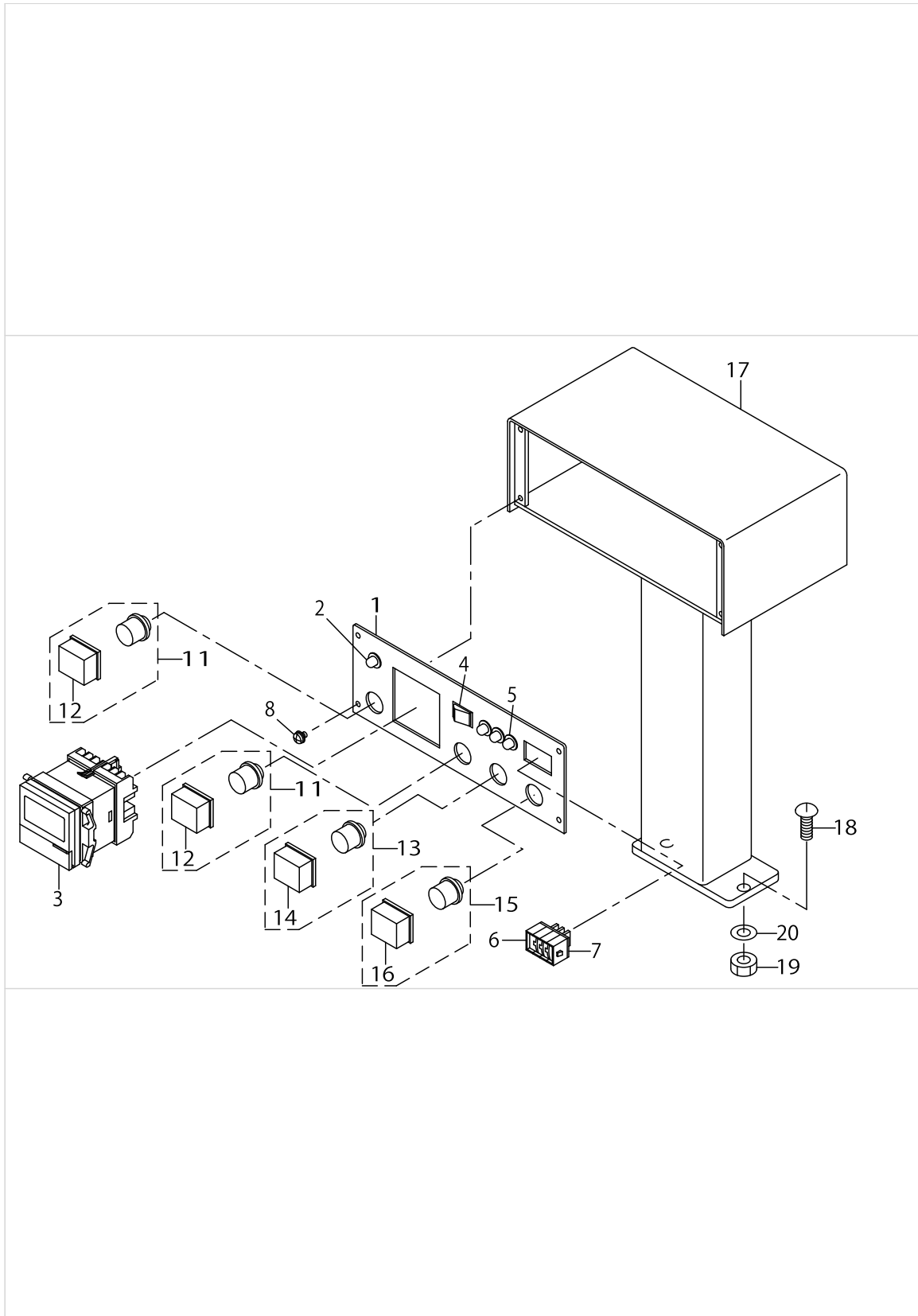
# CONTROL BOX COMPONENTS



CONTROL BOX COMPONENTS

No.	Supply Code	Parts No.	Replacement	Parts name	Remarks	Choice	Step	Level	Cons	Qty	Rep. QTY
1		HX001420000		KNOB						1	
2	D	G6123154000		POWER CORD						1	
3		G6501154000		SEAL						1	
4	D	G6104154000		DIP SWITCH COVER						1	
5	D	G6516154000		SCREW						1	
6	D	G6105154000		SWITCH COVER FULCRUM SHAFT						1	
7	D	G6504154000		RACH						10	
8		SM0040801SE		TRUSS HEAD SCREW						10	
9	D	G50871540A0A		CONTROL BOX COVER ASM.						1	
10		G6108154000		CORD FITTING PLATE						1	
11		SL4030641SE		SCREW						8	
12	D	HX002770000		ROD						4	
13		G6252154000		POWER CIRCUIT BOARD						1	
14		G6152154000		DIP SWITCH CIRCUIT BOARD						1	
15	D	G6245154000		CIRCUIT BOARD						1	
16	D	G6503154000		TERMINAL						1	
17		G6159154000		MAIN SWITCH CORD	FOR 3-PHASE					1	
18		G6115154000		MOTOR POWER SOURCE CORD	FOR 3-PHASE					1	
19	D	G6509154000		TRANS						1	
20		G6505154000		FUSE HOLDER						1	
21	D	E9610601000		FUSE 3A						2	
22		E9602701000		FUSE 4A						1	
23	D	G6160154000		MAIN SWITCH CORD	FOR 1-PHASE					1	
24	D	G6124154000		MOTOR POWER SOURCE CORD	FOR 1-PHASE					1	
25	D	GAI20032000		CAUTION LABEL						1	
26		CM300100001		LABEL						1	

# OPERATION BOX PANEL COMPONENTS



OPERATION BOX PANEL COMPONENTS

No.	Supply Code	Parts No.	Replacement	Parts name	Remarks	Choice	Step	Level	Cons	Qty	Rep. QTY
1	D	G6100154000		SWITCH PANEL						1	
2	D	HG00461000A		LED GREEN						1	
3		HB000610000		COUNTER						1	
4	D	G6508154000		SWITCH						1	
5	D	HG004610000		LED RED						3	
6	D	G6506154000		SWITCH						3	
7		G6507154000		SWITCH INSTALLING PLATE						2	
8		SL4040655SC		SCREW						4	
9		G6517154000		SWITCH(BULE)						1	
10	D	G6521154000		CAP(BULE)						1	
11	D	G6518154000		PUSH BUTTON SW,(YELLOW)						1	
12	R	G6522154000	G6518154000	CAP(YELLOW)						1	1.00
13	D	G6519154000		PUSH BUTTON SW,(GREEN)						1	
14	R	G6523154000	G6519154000	CAP(GREEN)						1	1.00
15	D	G6520154000		PUSH BUTTON SW,(WHITE)						1	
16	D	G6524154000		CAP(WHITE)						1	
17		G6099154000A		SWITCH BOX						1	
18	D	G6515154000		SCREW						2	
19		NM6080001SE		NUT M8						2	
20		G5514116000		WASHER D=30						2	



TABLE POWER SWITCH COMPONENTS

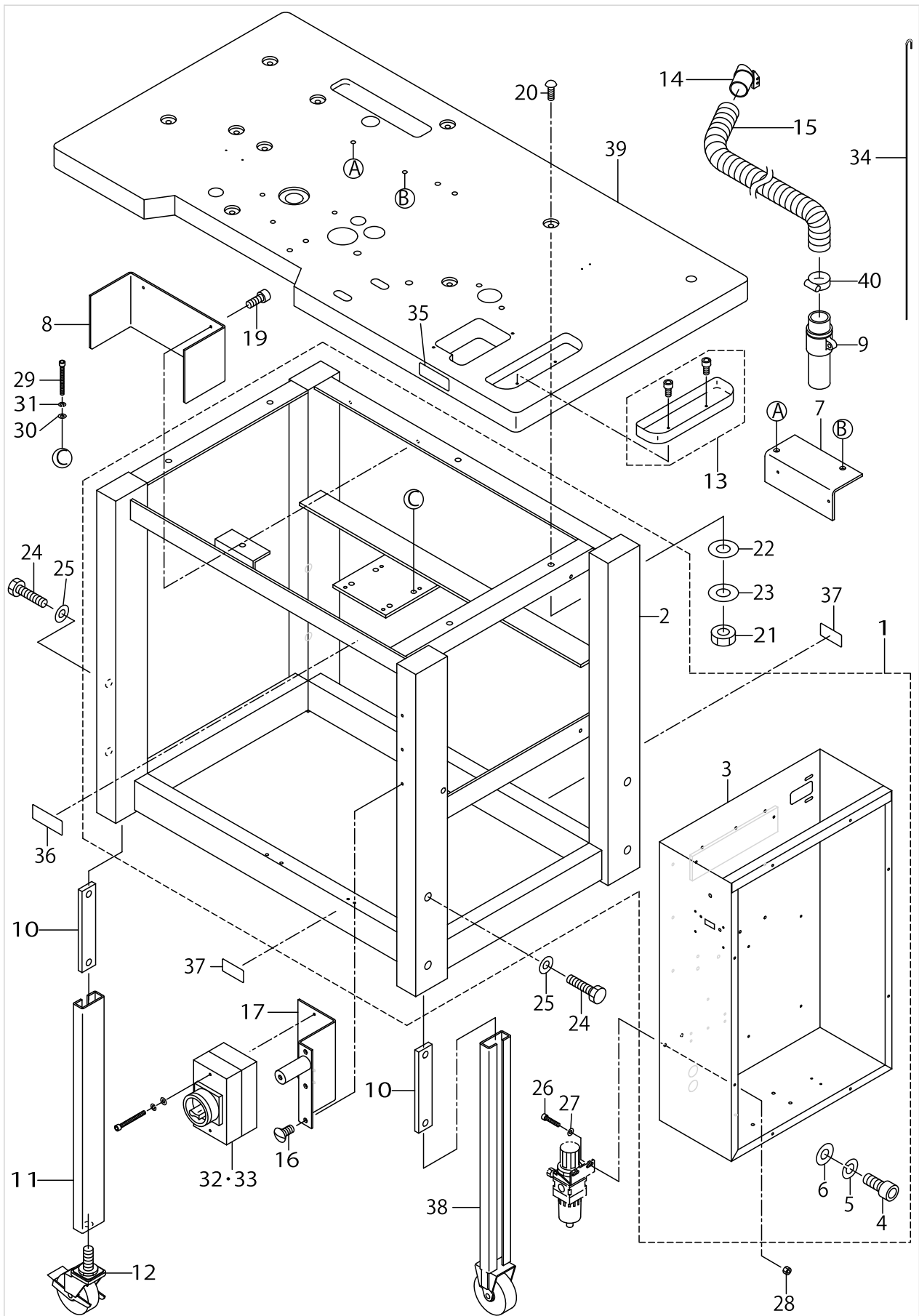
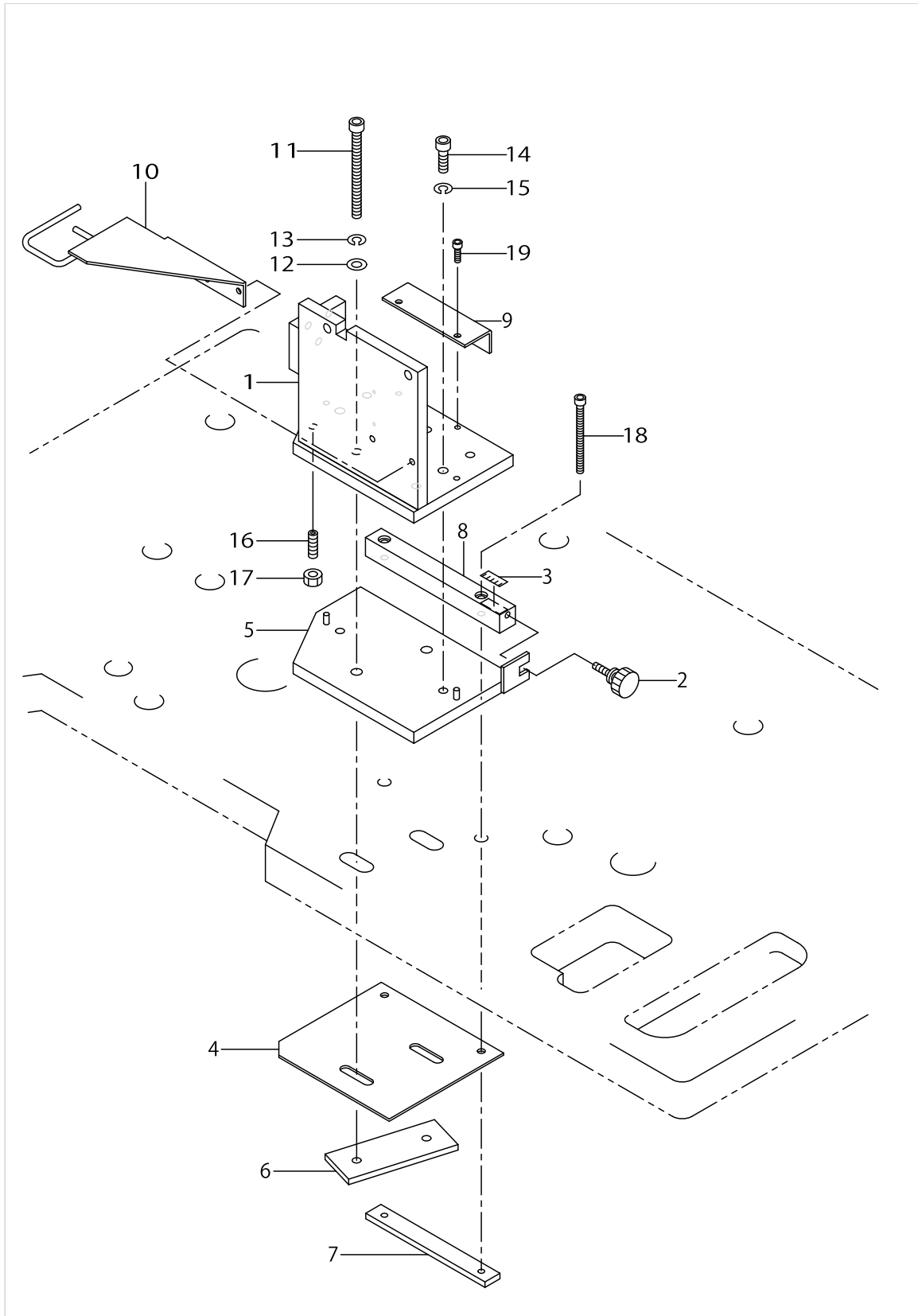


TABLE POWER SWITCH COMPONENTS

No.	Supply Code	Parts No.	Replacement	Parts name	Remarks	Choice	Step	Level	Cons	Qty	Rep. QTY
1		G50811540A0		STAND ASM.						1	
2		G5081154000A		ADJUSTING STAND				*		1	
3		G5082154000		ADJUSTING STAND 2-2				*		1	
4		SM6061402TN		BOLT				*		4	
5		WS0610002KN		SPRING WASHER 6.1X12.2X1.5				*		4	
6		WP0641600SC		WASHEW6.4X12.5X1.6				*		4	
7	D	G5085154000		MAGNETIC VALVE FITTING PLATE.						1	
8		G5084154000		BELT COVER						1	
9	D	G5404154000		VACUUM CAN						1	
10		G5459100000		NUT						4	
11		G5455103000		CASTER STAND						2	
12	D	G54571000AD		STAND ASM.						2	
13		11156056		SMALL CASTINGS CASE ASM.						1	
14	D	G5048154000		VACCUM NOUTH PIESE						1	
15	D	G5049154000		VACCUM HOSE						1	
16		SS2110920TP		SCREW 11/64-40 L=8.5						3	
17		G5097154000		MOTOR INSTALLING PLATE						1	
18		SM6082002TN		SCREW M8 L=20						1	
19		SM6041002TN		BOLT						2	
20	D	D8211555D00		BOLT						6	
21		NM6080001SC		NUT M8X1.25						6	
22		WP0851846SC		WASHER 8.5X22.0X1.8						6	
23		WS0820002KN		SPRING WASHER M8						6	
24		SM9122003SC		BOLT M12 L=20						8	
25		WP1252210SC		WASHER 12.5X25.6X2.2						8	
26		SM6051002TP		SCREW M5X0.8 L=10						2	
27		WP0501016SD		WASHER 5X10.5X1						2	
28		NM6050002SE		NUT M5						2	
29		SM6052002TP		SCREW M5 L=20						4	
30		WP0551016SH		WASHER 5.5X13X1						4	
31		WS0510002KP		SPRING WASHER 5.1X9.2X1.3						4	
32	D	G6513154000		POWER SWITCH						1	
33	D	G6514154000		POWER SWITCH (JE)	FOR JE					1	
34	D	G5050154000		VACUUM HOSE SUPPORT						1	
35		CM500100001		CE MARKING LABEL	FOR JE					1	
36		CM500000001		POWER SOURCE IN- DICATION LABEL						1	
37		16870206		GRAVITY SEAL						2	
38		G5083154000		CASTER						2	
39		G5080154000		TABLE						1	
40	D	G5406154000		HOSE BAND						2	

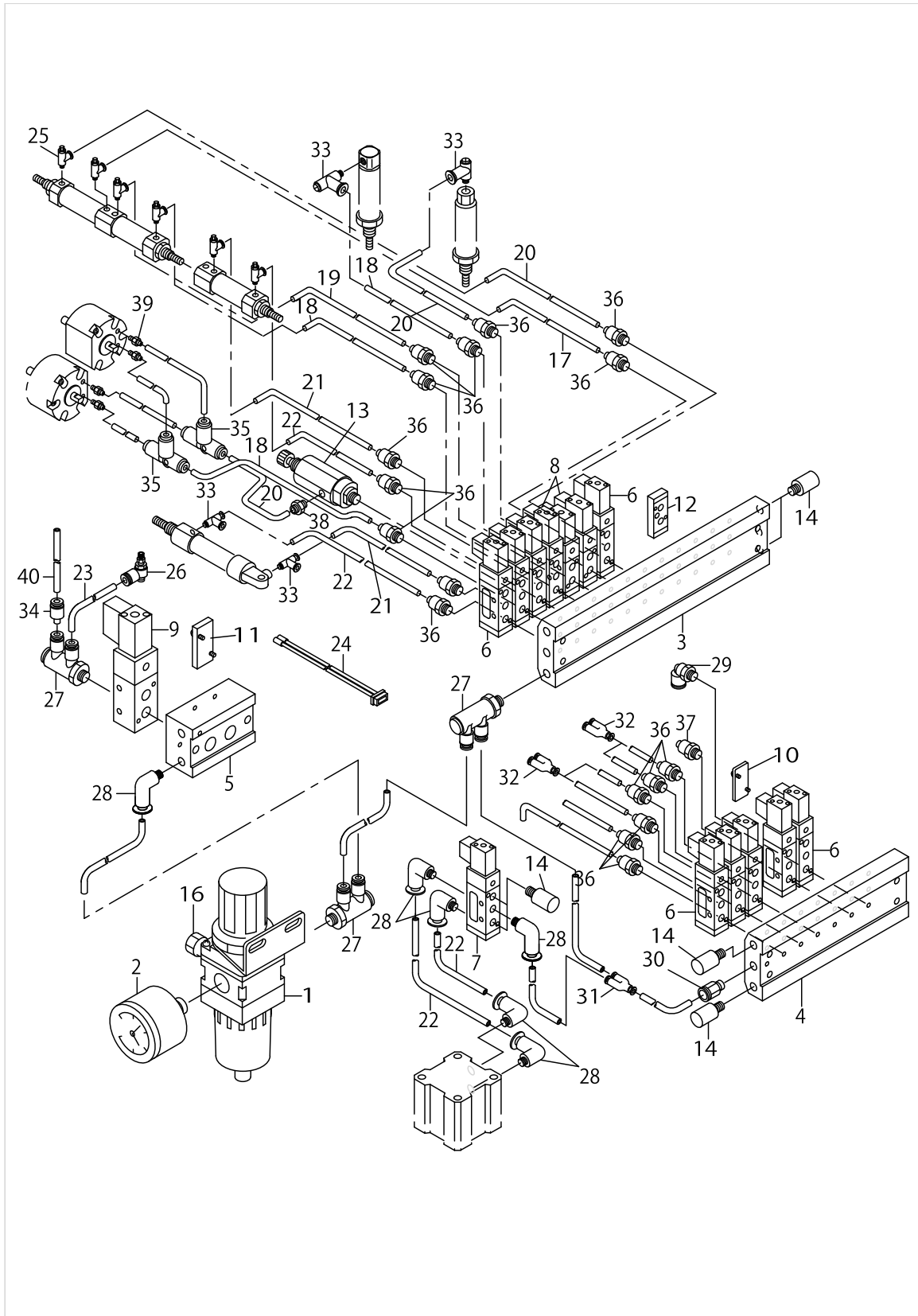
SUPPLY DEVICE BASE COMPONENTS



SUPPLY DEVICE BASE COMPONENTS

No.	Supply Code	Parts No.	Replacement	Parts name	Remarks	Choice	Step	Level	Cons	Qty	Rep. QTY
1		G5052154000		DEVICE BASE						1	
2	D	G5053154000		SCREW						1	
3	D	G5054154000		SCALE						1	
4		G5055154000		DEVICE PLATE						1	
5	D	G5681103000		BASE PLATE						1	
6	D	G5682103000		NUT PLATE						1	
7		G5683103000		NUT PLATE						1	
8	D	G5684103000		RAIL						1	
9	D	G5685103000		GUIDE PLATE						1	
10	D	G5183154000		GUARD						1	
11		SM6089502TP		SCREW M8 L=95						2	
12		WP0841601SC		WASHER 8.4X17.4X1.6						2	
13		WS0820002KP		SPRING WASHER						2	
14		SM6082502TP		SCREW M8 L=25						2	
15		WS0820002KP		SPRING WASHER						2	
16		SM8082502TP		SCREW						4	
17		NM6080001SC		NUT M8X1.25						4	
18		SM6067552TP		HEXAGONAL-HOLE BOLT M6 L=75						2	
19		SM6051602TP		SCREW M5X0.8 L=16						2	

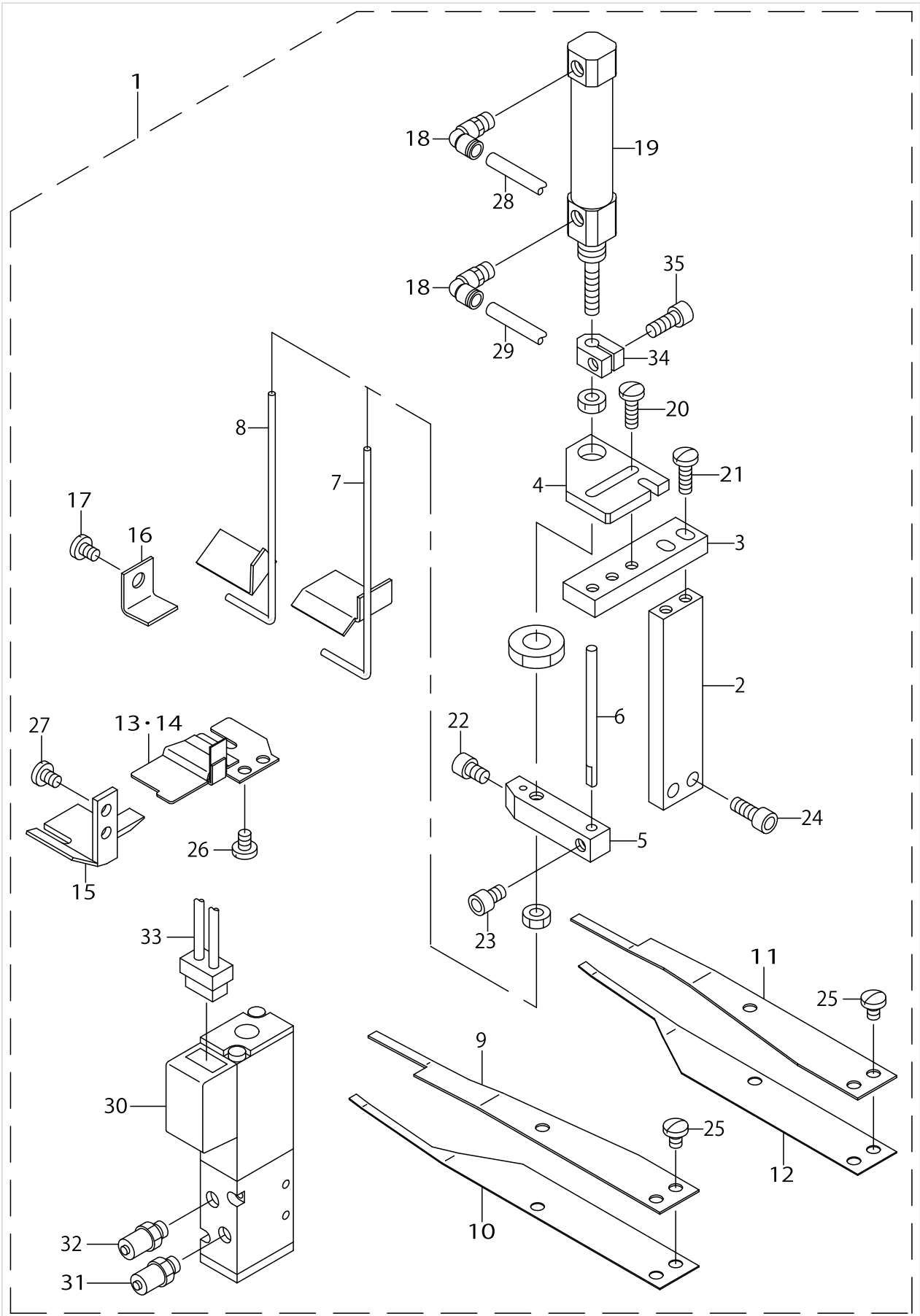
# PNEUMATIC COMPONENTS



PNEUMATIC COMPONENTS

No.	Supply Code	Parts No.	Replacement	Parts name	Remarks	Choice	Step	Level	Cons	Qty	Rep. QTY
1		PF0151010A0		FILTER SOLENOID VALVE						1	
2		PF065108000		PRESSURE GAUGE SWITCH						1	
3		PV035140000		MANIFOLD						1	
4		PV035142000		MANIFOLD						1	
5		PV035143000		MANIFOLD						1	
6		PV150527000		SOLENOID VALVE						10	
7		PV155111000		SOLENOID VALVE						1	
8		PV130531100		SOLENOID VALVE						2	
9		PV135124000		SOLENOID VALVE						1	
10		PV9030070A0		BLANKING PLATE						6	
11	D	PV9030060A0		BLANKING PLATE						1	
12	D	PV903001000		ADAPTER PLATE						2	
13	D	G5280103000		DECREASING PRESSURE VALVE						1	
14		PX055104000		SILENCER (PT1/8)						6	
15		PJ301065103		HALF UNION 6XPT1/8						1	
16	D	PJ309005101		SOCKET						1	
17	D	BT0400301AE		NYLON-TUBE, RED						1.92	
18		BT0400301AA		NYLON-TUBE, BLUE						3.89	
19	D	BT0400301AC		NYLON-TUBE, YELLOW						1.89	
20	D	BT0400301AD		NYLON-TUBE, GREEN						4.03	
21	D	BT0400301AF		NYLON-TUBE, WHITE						1.62	
22	D	BT0400301AB		NYLON-TUBE, BLACK						1.74	
23	D	BT0600401CB		SOFT NYLON-TUBE, BLACK						3.66	
24	D	G63021540A0		SOLENOID VALVE CORD ASM.						14	
25		PC010507000		SPEED CONTROLLER						6	
26		PV015116000		SLOT VALVE						1	
27		PJ309065102		DOUBLE ELBOW						3	
28		PJ304065101		ELBOW UNION 6XPT1/8						6	
29		PJ304040505		ELBOW						1	
30		PJ301065103		HALF UNION 6XPT1/8						1	
31		PJ308060003		Y UNION						1	
32		PJ308040002		QUICK COUPLING						4	
33		PJ304040513		ELBOW UNION						2	
34		PJ301040001		REDUCER						1	
35		PJ305040001		TEE UNION						2	
36		PJ032052503		HOSE NIPPLE						17	
37		PJ032059008		NIPPLE						1	
38	D	PJ030050002		NIPPLE						1	
39		PJ032059006		BARB JOINT						4	
40		BT0400251EF		VINYL TUBE						1.07	

BELT RELEASE DEVICE COMPONENTS(OPTION)

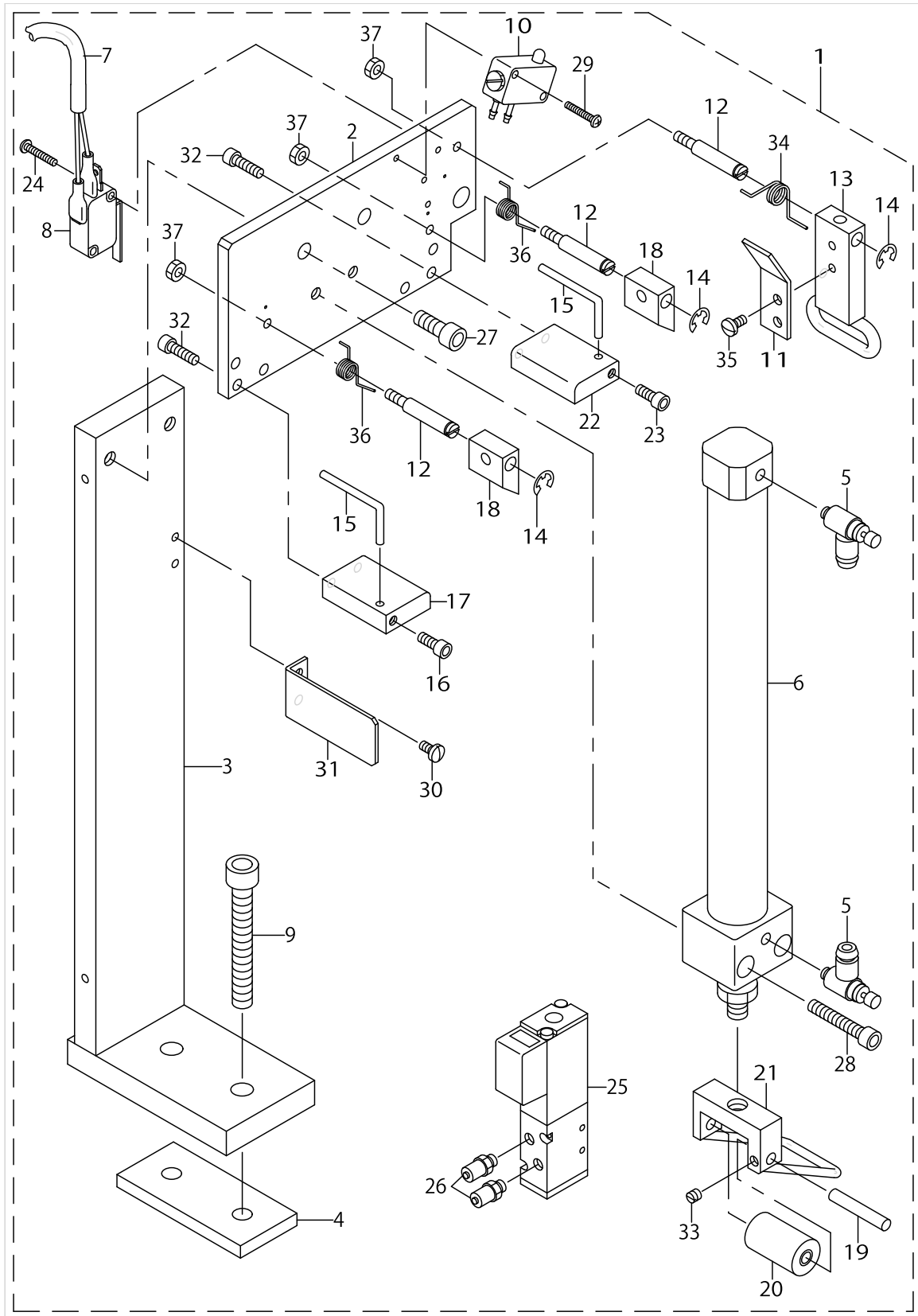


BELT RELEASE DEVICE COMPONENTS(OPTION)

No.	Supply Code	Parts No.	Replacement	Parts name	Remarks	Choice	Step	Level	Cons	Qty	Rep. QTY
1	D	G52011540A0		BELT LOOSEN DEVICE ASM.						1	
2		G5201154000		LOOP LOOSEN FITTING PLATE				*		1	
3		G5202154000		LOOP LOOSEN CO-CONNECTING PLATE				*		1	
4	D	G5203154000		CYLINDER FITTING PLATE				*		1	
5	D	G5204154000		LOOP LOOSEN BAR BRACKET				*		1	
6	D	G5206154000		LOOP LOOSEN GUIDE BAR				*		1	
7	D	G5303154000		LOOP LOOSEN BAR(63-78MM)				*		1	
8	D	G5302154000		LOOP LOOSEN BAR(55-62MM)	ACCESSORIES PART			*		1	
9	D	G5209154000		SUPPORTING SPRING, UPPER				*		1	
10		G5210154000		SUPPORTING SPRING, SIDE				*		1	
11	D	G5211154000		SUPPORTING SPRING, BACK UPPER				*		1	
12	D	G5212154000		SUPPORTING SPRING, BACK SIDE				*		1	
13	D	G5214154000		BACK HOLDING PLATE (48-65MM)	FOR 48~65MM (1-7/8"~2-9/16")			*		1	
14	D	G5215154000		BACK HOLDING PLATE (60-78MM)	FOR 60~78MM (2-23/64"~3-5/64")			*		1	
15	D	G5216154000		LOOP FRONT HOLDING PLATE				*		1	
16	D	G5213154000		FRONT UPPER GUIDE				*		1	
17		SS7090510SP		SCREW 9/64-40 L=4.6				*		1	
18		PJ304040513		ELBOW UNION				*		2	
19		PA1002002A0		SUPER MINI-CYLINDER				*		1	
20	R	SS7091110SP	SS7091110TP	SCREW 9/64-40 L=10.5				*		2	1.00
21	R	SS7091110SP	SS7091110TP	SCREW 9/64-40 L=10.5				*		2	1.00
22		SM6040602TN		BOLT				*		1	
23		SM6040602TN		BOLT				*		1	
24		SM6041002TN		BOLT				*		2	
25		SS7090510SP		SCREW 9/64-40 L=4.6				*		4	
26		SS7090510SP		SCREW 9/64-40 L=4.6				*		2	
27		SS7090710SN		SCREW 9/64-40 L=6.8				*		2	
28	D	BT0400301AE		NYLON-TUBE, RED				*		1	
29	D	BT0400301AC		NYLON-TUBE, YELLOW				*		1	
30		PV150527000		SOLENOID VALVE				*		1	
31		PJ032052503		HOSE NIPPLE				*		1	
32		PJ032052503		HOSE NIPPLE				*		1	
33	D	G63021540A0		SOLENOID VALVE CORD ASM.				*		1	
34		G5023154000		COLLAR				*		1	
35		SM6041002TN		BOLT				*		1	



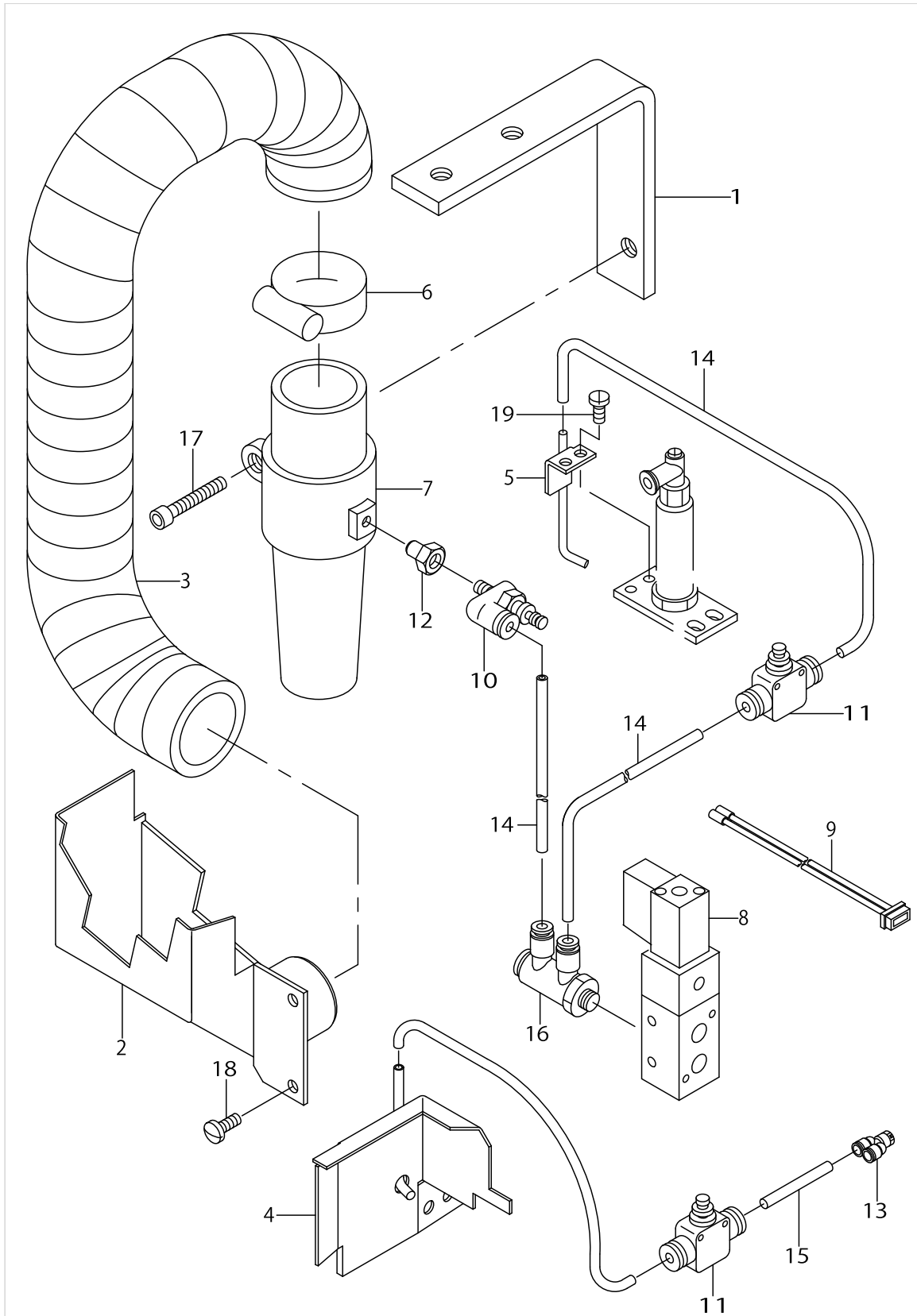
BELT SEND OUT DEVICE COMPONENTS(OPTION)



BELT SEND OUT DEVICE COMPONENTS(OPTION)

No.	Supply Code	Parts No.	Replacement	Parts name	Remarks	Choice	Step	Level	Cons	Qty	Rep. QTY
1		G51921540A0		BELT SEND OUT DEVICE ASM.						1	
2		G5192154000		LOOP DRAWER DEVICE BASE				*		1	
3		G5197154000		LOOP DRAWER DEVICE STAND				*		1	
4	D	G5198154000		BASE PLATE				*		1	
5		PC010508000		SPEED CONTROLLER				*		2	
6	D	PA2017501A0		CYLINDER				*		1	
7	D	G6194154000		DETECTOR SW-CORD				*		1	
8	D	G6526154000		LOOP DETECTOR SW				*		1	
9		SM6086002TP		SCREW				*		2	
10		PV010009000		MECHANICAL VALVE				*		1	
11	D	G5200154000		VALVE APPLY METAL				*		1	
12		G5196154000		LOOP FASTEN PIN				*		3	
13		G5193154000		GUIDE METAL FITTING				*		1	
14		RE0500000K0		E-RING				*		3	
15		G5189154000		LOOP GUIDE METAL				*		2	
16		SM6041002TN		BOLT				*		1	
17	D	G5187154000		LOOP FRONT HOLDING PLATE				*		1	
18	D	G5190154000		LOOP FASTEN PIC				*		2	
19	D	G5186154000		ROLLER SHAFT				*		1	
20	D	G5185154000		LOOP DRAWER ROLLER, FRONT				*		1	
21	D	G5184154000		CYLINDER METAL FITTINGS				*		1	
22		G5188154000		LOOPBACKHOLDING				*		1	
23		SM6041002TN		BOLT				*		1	
24	D	SM4861601SC		SCREW M2.6 L=16				*		2	
25		PV150527000		SOLENOID VALVE				*		1	
26		PJ032052503		HOSE NIPPLE				*		2	
27		SM6061602TN		SCREW M6 L=16				*		2	
28		SM6053002TN		SCREW M5X0.8 L=30				*		2	
29	D	SM4861601SC		SCREW M2.6 L=16				*		2	
30		SS7090710SN		SCREW 9/64-40 L=6.8				*		2	
31		G5199154000		LOOPDRAWERGUIDE				*		1	
32		SM6041402TN		SCREW M4X0.7 L=14				*		4	
33		SS8110410TP		SCREW 11/64-40 L= 3.5				*		1	
34	D	G5195154000		GUIDEPLATE SPRING				*		1	
35		SS7090710SN		SCREW 9/64-40 L=6.8				*		2	
36	D	G5191154000		LOOP FASTEN PIC SPRING				*		2	
37		NM6040001SD		NUT M4				*		3	

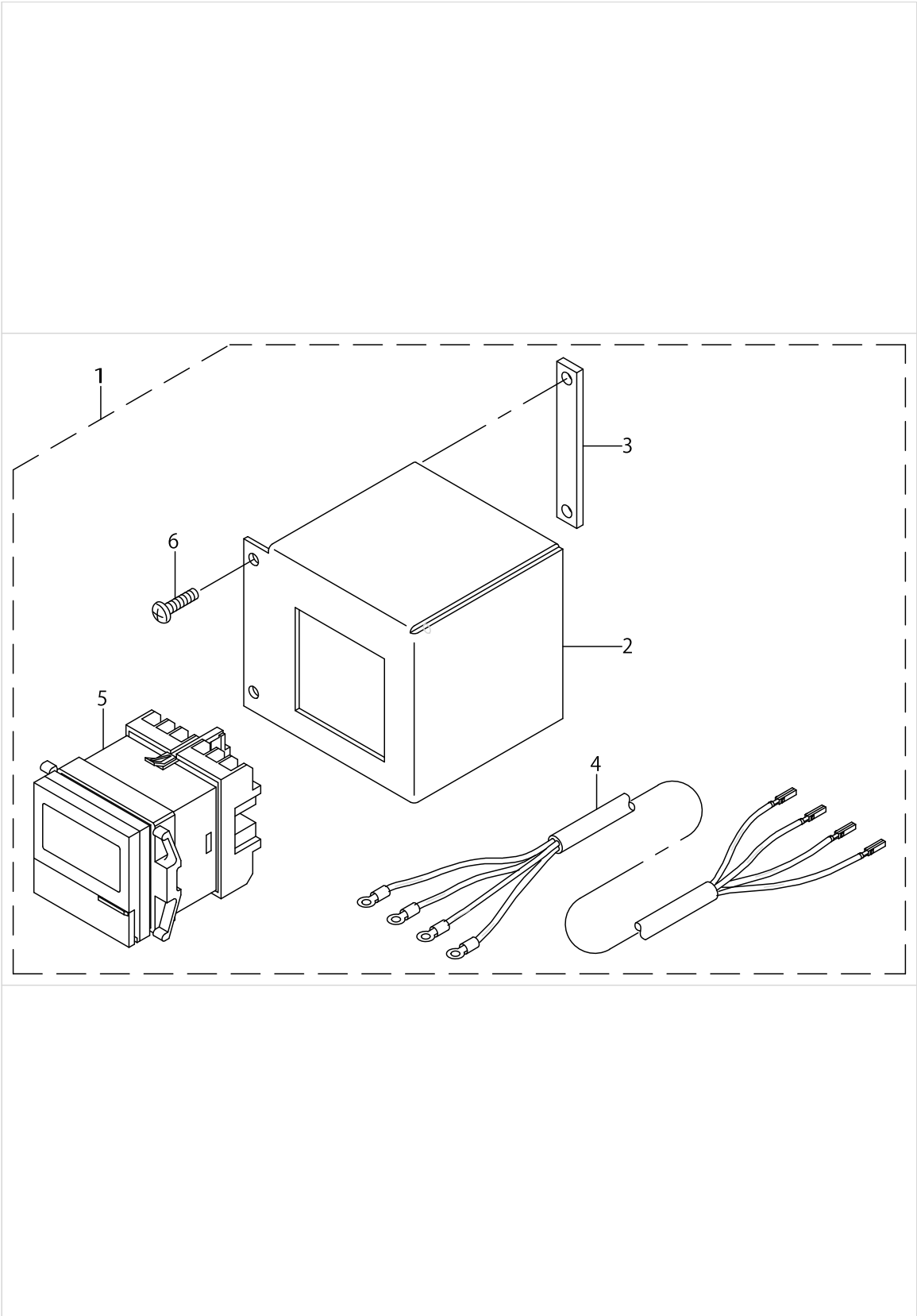
CHIP VACUUM DEVICE COMPONENTS(OPTION)



CHIP VACUUM DEVICE COMPONENTS(OPTION)

No.	Supply Code	Parts No.	Replacement	Parts name	Remarks	Choice	Step	Level	Cons	Qty	Rep. QTY
1	D	G5218154000		CHIP VACUUM INSTALLING PLATE						1	
2		G5220154000		CHIP VACUUM BOX						1	
3		G5221154000		CHIP VACUUM HOSE						1	
4	D	G5222154000		CHIP VACUUM LEFT COVER						1	
5	D	G5223154000		CHIP AIR NOZZLE						1	
6	D	G5406154000		HOSE BAND						1	
7	D	G5404154000		VACUUM CAN						1	
8		PV135124000		SOLENOID VALVE						1	
9	D	G63021540A0		SOLENOID VALVE CORD ASM.						1	
10	D	PV010512000		SLOT VALVE						1	
11		PJ303040003		UNION STRAIGHT						2	
12		PJ015105001		BUSHING						1	
13		PJ308040002		QUICK COUPLING						1	
14		BT0400251EB		URETHANE HOSE, BLACK						1.38	
15		BT0400251EF		VINYL TUBE						.37	
16	D	PJ309045101		ELBOW						1	
17		SM6082002TN		SCREW M8 L=20						1	
18	R	SS7111120SP	SS7111120TP	SCREW 11/64-40 L=10.5						2	1.00
19		SS7090710SP		SCREW 9/64-40 L=6.8						2	

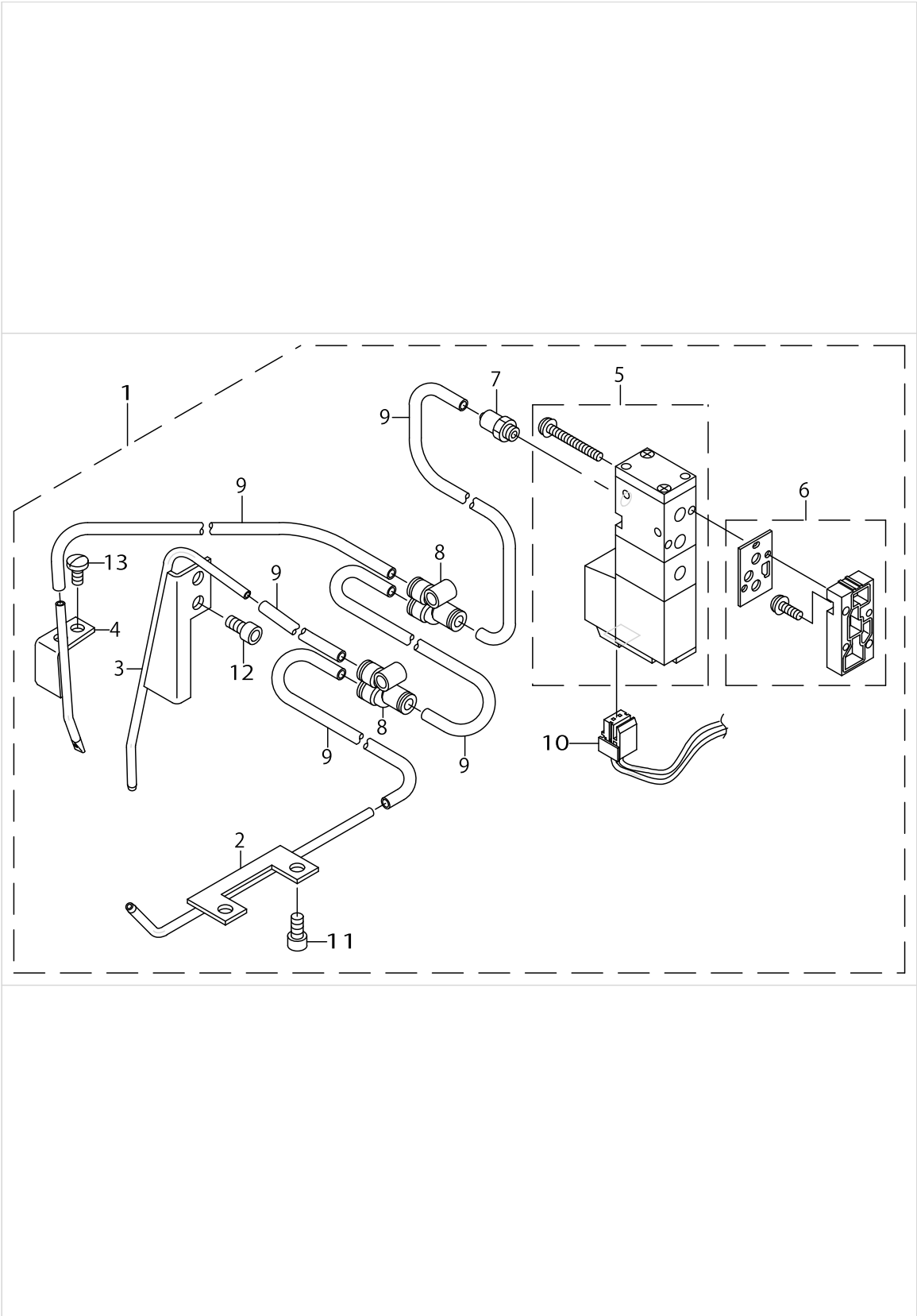
LOWER THREAD COUNTER DEVICE COMPONENTS(OPTION)



LOWER THREAD COUNTER DEVICE COMPONENTS(OPTION)

No.	Supply Code	Parts No.	Replacement	Parts name	Remarks	Choice	Step	Level	Cons	Qty	Rep. QTY
1	D	G52341540A0		LOWER THREAD COUNTER ASM.						1	
2		G5237154000		COUNTER BOX				*		1	
3		G5238154000		COUNTER BOX INS-TALLING PLATE				*		1	
4		G6239154000		LOWER THREAD COUNTER CORD				*		1	
5		HB000610000		COUNTER				*		1	
6		SM4041601SR		SCREW M4 L=16				*		2	

TRANSFORMATION LOOP GUIDE DEVICE COMPONENTS(OPTION)

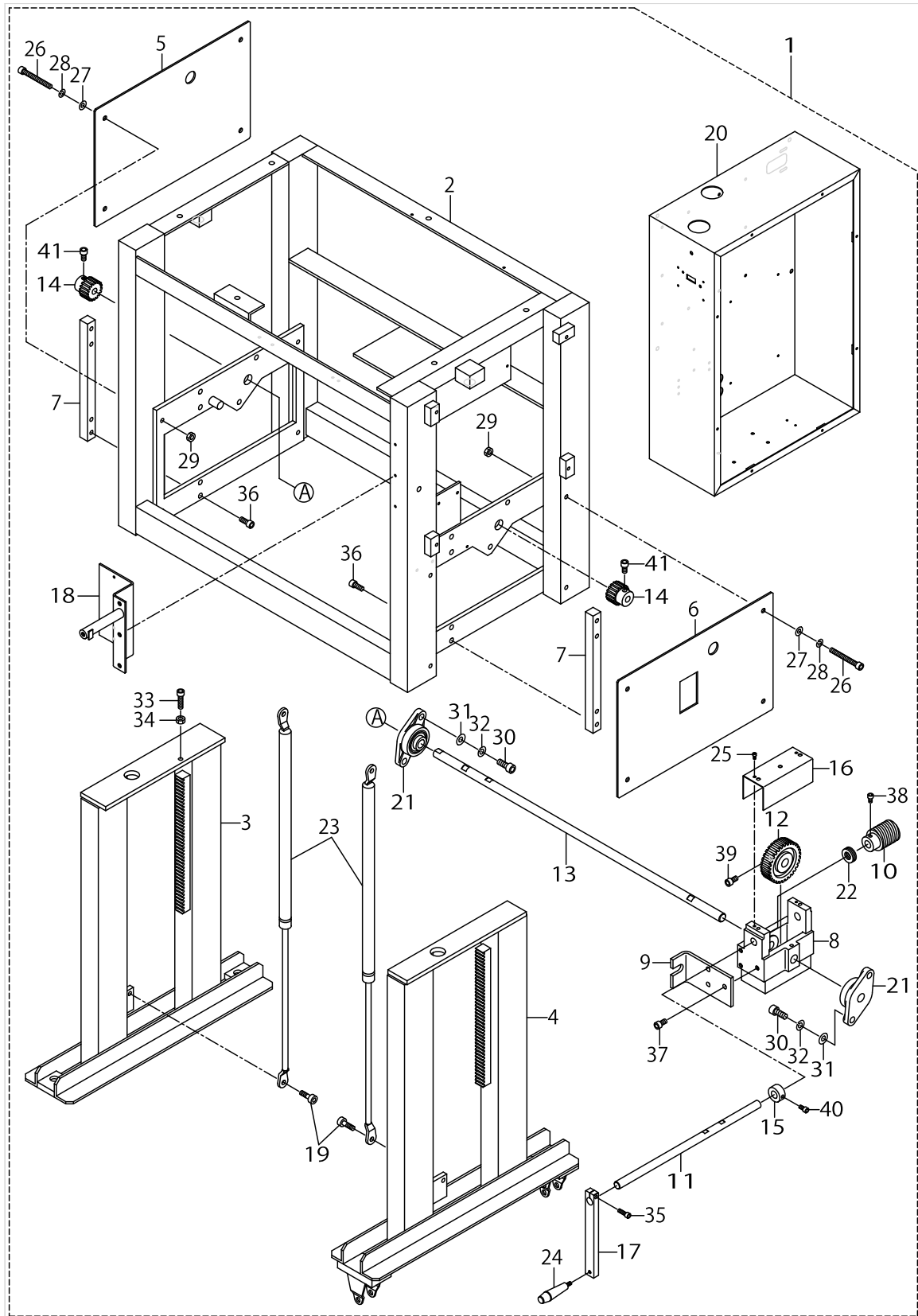


TRANSFORMATION LOOP GUIDE DEVICE COMPONENTS(OPTION)

No.	Supply Code	Parts No.	Replacement	Parts name	Remarks	Choice	Step	Level	Cons	Qty	Rep. QTY
1		G52291540A0		TRANSFORMED LO- OPER GUIDE ASM.						1	
2		G5229154000		LOOP GUIDE LOWER NOZZLE				*		1	
3		G5230154000		LOOP GUIDE UPPER NOZZLE				*		1	
4		G5231154000		LOOP GUIDE FRONT NOZZLE				*		1	
5	D	PV130531000		SOLENOID VALVE				*		1	
6	D	PV903001000		ADAPTER PLATE				*		1	
7		PJ032052503		HOSE NIPPLE				*		1	
8		PJ308040002		QUICK COUPLING				*		2	
9		BT0400301AA		NYLON-TUBE, BLUE				*		2.26	
10	D	G63031540A0		SOLENOID VALVE CONNECTOR ASM.				*		1	
11		SM6040802TN		SCREW				*		2	
12		SM6040802TN		SCREW				*		2	
13		SS7090710SL		SCREW 9/64-40 L=6.8				*		2	



LIFTING STAND COMPONENTS(OPTION)



LIFTING STAND COMPONENTS(OPTION)

No.	Supply Code	Parts No.	Replacement	Parts name	Remarks	Choice	Step	Level	Cons	Qty	Rep. QTY
1		G53201540A0		LIFTING STAND ASM.						1	
2		G5320154000		LIFTING STAND				*		1	
3		G5321154000		STAND,LEFT				*		1	
4		G5322154000		STAND,RIGHT				*		1	
5		G5323154000		GUIDE PLATE,LEFT				*		1	
6		G5324154000		GUIDE PLATE,RIGHT				*		1	
7		G5326154000		STAND LIFTING GUIDE				*		2	
8		G5327154000		WORM GEAR BOX				*		1	
9		G5328154000		WORM GEAR BOX SUPPORT				*		1	
10		G5329154000		WORM				*		1	
11		G5330154000		WORM SHAFT				*		1	
12		G5331154000		WORM WHEEL				*		1	
13		G5332154000		WORM WHEEL SHAFT				*		1	
14		G5333154000		PINION				*		2	
15		G5334154000		WORM SHAFT COLLAR				*		1	
16		G5335154000		WORM COVER				*		1	
17		G5336154000		HANDLE				*		1	
18		G5337154000		MOTOR STARTER BOX MOUNT BASE				*		1	
19		G5338154000		GAS-SPRING PIN				*		2	
20		G5343154000		CONTROL BOX				*		1	
21		G5408154000		FLANGE UNIT				*		2	
22	D	SB415000100		BEARING				*		1	
23		G5409154000		GAS-SPRING				*		2	
24		G5407154000		GRIP				*		1	
25		SM6040802TN		SCREW				*		2	
26		SM6087002TN		SCREW M8 L=70				*		8	
27		WP0841601SC		WASHER 8.4X17.4X1.6				*		8	
28		WS0820002KN		SPRING WASHER M8				*		8	
29		NM6080001SC		NUT M8X1.25				*		8	
30	D	SM6102512TP		SCREW M10X1.5 L=25.0				*		4	
31		WP1052000SC		WASHER 10.5X18X2				*		4	
32		WS1020002KN		SPRING WASHER M10				*		4	
33		SM6083002TN		SCREW M8 L=30				*		1	
34		NM6080001SC		NUT M8X1.25				*		1	
35		SM6062002TN		SCREW M6 L=20				*		1	
36		SM6082002TN		SCREW M8 L=20				*		8	
37		SM6081542CP		SCREW M8X1.25 L=15				*		3	
38		SM6061002TP		SCREW M6 L=10				*		2	
39		SM6081552TP		SCREW M8 L=15				*		2	
40		SM6061202TP		SCREW M6 L=12				*		2	
41		SM6081552TP		SCREW M8 L=15				*		4	

## HOW TO MAKE USE OF THIS PARTS LIST

1.As to "#01" and "#02" refer to the "Note" given at the bottom of the respective pages.

2.Codes on the "Qty" column

- Each numeral indicates the number of parts required.
- "0.1" and "2.5" indicate the length (in meters) of the respective parts.

3.Parentheses mean that the corresponding part is a subpart that constructs an assembly part.

4.Dotted lines on the Figures indicate assembly parts.

1. リストページの# 0 1、# 0 2の印は、ページ下の"注記"の説明を参照下さい。
2. 数量欄の数字は、個数を表し、0. 1、2. 5等の数値は、長さ（単位メートル）を表します。
3. 数量欄の（ ）は、組部品を構成している子部品であることを意味します。
4. イラストページの-----枠は、組構成であることを意味します。

# NUMERICAL INDEX OF PARTS

PART NO	PAGE	REF NO.	PART NO	PAGE	REF NO.	PART NO	PAGE	REF NO.
11156056	24	13	G5022154000	16	4	G5077154000	18	1
16870206	24	37	G5023154000	16	35	G5078154000	18	5
22450704	6	38	G5023154000	30	34	G5080154000	24	39
B2107816000	12	3	G5025154000	12	26	G5081154000A	24	2
BT0400251EB	34	14	G5026154000	12	35	G50811540A0	24	1
BT0400251EF	28	40	G5028154000	12	15	G5082154000	24	3
BT0400251EF	34	15	G5029154000	12	7	G5083154000	24	38
BT0400301AA	28	18	G5030154000	12	8	G5084154000	24	8
BT0400301AA	38	9	G5031154000	12	17	G5085154000	24	7
BT0400301AB	28	22	G5032154000	2	15	G50871540A0A	20	9
BT0400301AC	28	19	G5033154000	2	28	G5089100000	6	41
BT0400301AC	30	29	G5034154000	2	34	G5089100000	18	3
BT0400301AD	28	20	G5035154000	2	11	G5097154000	24	17
BT0400301AE	28	17	G5036154000	2	37	G5122100000	2	41·42
BT0400301AE	30	28	G5037154000	2	29	G512210000A	2	41·42
BT0400301AF	28	21	G5038154000	2	12	G5157122000	2	13
BT0600401CB	28	23	G5039154000	2	24	G515812200A	2	39·40
CM300100001	20	26	G5040154000	2	20	G515812200B	2	39·40
CM500000001	24	36	G5041154000	2	3	G5160100000	2	33
CM500100001	24	35	G5042154000	2	35	G5162103000	2	9
D8211555D00	24	20	G5048154000	24	14	G5165154000	8	23
E9602701000	20	22	G5049154000	24	15	G5166154000	8	22
E9610601000	20	21	G5050154000	24	34	G5167154000	8	46~48
G2431122000	12	12	G5051154000	2	6	G5168100000	2	23
G5001154000	12	32	G5052154000	26	1	G5168154000	10	46~48
G5002154000	12	28	G5053154000	26	2	G5169103000	2	22
G5003154000	12	19	G5054154000	26	3	G5169154000	10	46~48
G5004154000	14	72	G5055154000	26	4	G5170100000	2	25
G5005154000	12	34	G5056154000	6	4	G5183154000	26	10
G5006154000	14	49	G5057154000	6	36	G5184154000	32	21
G5007154000	14	64	G5058154000	6	37	G5185154000	32	20
G5008154000	14	62	G5060154000	6	1	G5186100000	6	26
G5009154000	12	22	G5061100000	18	17	G5186154000	32	19
G5010154000	14	56	G5061154000	6	6	G5187103000	8	10
G5011154000	14	57	G5062154000	6	2	G5187154000	32	17
G5012154000	14	51·73	G5063154000	6	39	G5188154000	32	22
G5013154000	12	6	G5064154000	6	12	G5189154000	32	15
G5015154000	12	39	G5065154000	6	28	G5190154000	32	18
G50151540A0	12	38	G5066154000	6	9	G5191154000	32	36
G5016154000	12	41	G5067154000	8	9	G5192154000	32	2
G5017154000	14	68	G5068154000	8	8	G51921540A0	32	1
G5020154000	12	44	G5069154000	8	4	G5193154000	32	13
G5020154000	16	36	G5070154000	8	2·3	G5195100000	6	25
G5020500000	14	69	G5071154000	8	2·3	G5195154000	32	34
G5021154000	16	32	G5072154000	8	28	G5196154000	32	12

# NUMERICAL INDEX OF PARTS

PART NO	PAGE	REF NO.	PART NO	PAGE	REF NO.	PART NO	PAGE	REF NO.
G5197154000	32	3	G5271103000	8	39	G54571000AD	24	12
G5198154000	32	4	G5272103000	8	38	G5459100000	24	10
G5199154000	32	31	G5273100000	8	18	G5502103000	16	20
G5200154000	32	11	G5274100000	8	36	G5503103000	16	21
G5201154000	30	2	G5275100000	8	19	G5504103000	16	22
G52011540A0	30	1	G5280100000	8	13	G5505103000	16	39
G5202154000	30	3	G5280103000	28	13	G5506103000	16	24
G5203154000	30	4	G5281100000	8	12	G5507103000	16	30
G5204100000	14	47	G5302154000	30	8	G5511103000	16	25
G5204154000	30	5	G5303154000	30	7	G5512103000	16	33
G5206154000	30	6	G5307154000	4	44~46	G5513103000	16	26
G5209154000	30	9	G5308154000	4	44~46	G5514103000	16	27
G5210154000	30	10	G5309154000	4	44~46	G5514116000	22	20
G5211154000	30	11	G5320154000	40	2	G5515103000	16	37
G5212154000	30	12	G53201540A0	40	1	G5516103000	16	28
G5213154000	30	16	G5321154000	40	3	G5517103000	16	19
G5214154000	30	13·14	G5322154000	40	4	G5521103000	16	15
G5215154000	30	13·14	G5323154000	40	5	G5681103000	26	5
G5216154000	30	15	G5324154000	40	6	G5682103000	26	6
G5218154000	34	1	G5326154000	40	7	G5683103000	26	7
G5219200000	14	51·73	G5327154000	40	8	G5684103000	26	8
G5220154000	34	2	G5328154000	40	9	G5685103000	26	9
G5220200000	14	61	G5329154000	40	10	G5707100000	14	50
G5221154000	34	3	G5330154000	40	11	G5718100000	12	4
G5222154000	34	4	G5331154000	40	12	G5723100000	12	43
G5222200000	14	60	G5332154000	40	13	G5752103000	16	17
G5223154000	34	5	G5333154000	40	14	G5753103000	16	5
G5224100000	2	5	G5334154000	40	15	G5760103000	16	11
G5225154000	12	13	G5335154000	40	16	G5762103000	16	38
G5226154000	14	74	G5336154000	40	17	G6099154000A	22	17
G5227154000	14	75	G5337154000	40	18	G6100154000	22	1
G5229154000	38	2	G5338154000	40	19	G6104154000	20	4
G52291540A0	38	1	G5343154000	40	20	G6105154000	20	6
G5230154000	38	3	G5403154000	14	55	G6108154000	20	10
G5231154000	38	4	G5404154000	24	9	G6115154000	20	18·24
G5233100000	12	11	G5404154000	34	7	G6123154000	20	2
G52341540A0	36	1	G5406154000	24	40	G6124154000	20	18·24
G5235200000	12	9	G5406154000	34	6	G6152154000	20	14
G5237154000	36	2	G5407154000	40	24	G6159154000	20	17·23
G5238154000	36	3	G5408154000	40	21	G6160154000	20	17·23
G5251100000	8	24	G5409154000	40	23	G61901030A0	12	1
G5262103000	8	32	G5417103000	18	18	G6194154000	32	7
G5263103000	8	17	G5420100000	18	9	G6239154000	36	4
G5265103000	8	16	G5421100000	18	10	G6245154000	20	15
G5266103000	8	35	G5455103000	24	11	G6252154000	20	13

NUMERICAL INDEX OF PARTS

PART NO	PAGE	REF NO.	PART NO	PAGE	REF NO.	PART NO	PAGE	REF NO.
G63021540A0	28	24	NS6110350SP	18	13	PV010009000	32	10
G63021540A0	30	33	NS6150430SN	14	71	PV010512000	34	10
G63021540A0	34	9	PA1001525A0	2	1	PV015116000	28	26
G63031540A0	38	10	PA1002002A0	30	19	PV035140000	28	3
G6501154000	20	3	PA1002506A0	2	18	PV035142000	28	4
G6503154000	20	16	PA1003503A0	16	12	PV035143000	28	5
G6504154000	20	7	PA1602301A0	6	23	PV130531000	38	5
G6505154000	20	20	PA1610801A0	6	24	PV130531100	28	8
G6506154000	22	6	PA2017501A0	32	6	PV135124000	28	9
G6507154000	22	7	PA320110200	16	2	PV135124000	34	8
G6508154000	22	4	PC010507000	28	25	PV150527000	28	6
G6509154000	20	19	PC010508000	6	18	PV150527000	30	30
G6513154000	24	32-33	PC010508000	32	5	PV150527000	32	25
G6514154000	24	32-33	PF0151010A0	28	1	PV155111000	28	7
G6515154000	22	18	PF065108000	28	2	PV903001000	28	12
G6516154000	20	5	PJ015105001	34	12	PV903001000	38	6
G6517154000	22	9	PJ030050002	28	38	PV9030060A0	28	11
G6518154000	22	11	PJ032052503	28	36	PV9030070A0	28	10
G6519154000	22	13	PJ032052503	30	32	PX055104000	28	14
G6520154000	22	15	PJ032052503	32	26	RE0400000K0	8	37
G6521154000	22	10	PJ032052503	38	7	RE0400000K0	16	6
G6522154000	22	12	PJ032059006	8	33	RE0500000K0	6	27
G6523154000	22	14	PJ032059006	28	39	RE0500000K0	8	14
G6524154000	22	16	PJ032059008	28	37	RE0500000K0	32	14
G6526154000	32	8	PJ301040001	28	34	SB415000100	40	22
GAI20032000	20	25	PJ301065103	28	30	SL4030641SE	20	11-12
HA002660000	6	35	PJ303040003	34	11	SL4040655SC	22	8
HB000610000	22	3	PJ304040502	2	19	SM0040801SE	20	8
HB000610000	36	5	PJ304040502	16	13	SM0051001SC	18	8
HD000760000	12	18	PJ304040505	28	29	SM4041601SR	36	6
HG004610000	22	5	PJ304040513	28	33	SM4861601SC	18	4
HG00461000A	22	2	PJ304040513	30	18	SM4861601SC	32	29
HX000230000	14	67	PJ304065101	16	3	SM4862001SC	6	32
HX000230000	18	15	PJ304065101	28	28	SM6030502TP	8	43
HX001420000	20	1	PJ305040001	28	35	SM6030802TN	12	21
HX00150000D	6	29	PJ308040002	28	32	SM6040602TN	30	23
HX002770000	20	11-12	PJ308040002	34	13	SM6040802TN	12	63
NM6040001SD	14	54	PJ308040002	38	8	SM6040802TN	14	63
NM6040001SD	32	37	PJ308060003	28	31	SM6040802TN	38	12
NM6040003SC	12	24	PJ309005101	28	16	SM6040802TN	40	25
NM6050002SE	24	28	PJ309045101	34	16	SM6040802TP	8	30
NM6080001SC	24	21	PJ309065102	28	27	SM6041002TN	14	76
NM6080001SC	26	17	PS0160122KH	2	32	SM6041002TN	16	41
NM6080001SC	40	34	PS0300242K0	6	8	SM6041002TN	24	19
NM6080001SE	22	19	PS0500102KH	2	31	SM6041002TN	30	35

NUMERICAL INDEX OF PARTS

PART NO	PAGE	REF NO.	PART NO	PAGE	REF NO.	PART NO	PAGE	REF NO.
SM6041002TN	32	23	SS2110920TP	24	16	WP0501016SD	24	27
SM6041202TN	12	25	SS4080415SP	12	10	WP0551016SH	24	30
SM6041402TN	32	32	SS4080610SP	2	26	WP0641600SC	24	6
SM6042002TN	12	31	SS4080610SP	12	66	WP0641601SC	12	29
SM6043552TN	12	14	SS4080610SP	14	66	WP0641601SC	16	10
SM6051002SP	6	7	SS4080610SP	16	29	WP0841601SC	26	12
SM6051002TP	6	40	SS6060220SP	2	38	WP0841601SC	40	27
SM6051002TP	24	26	SS6060220SP	8	1	WP0851846SC	24	22
SM6051202SP	6	33	SS6080410SP	2	27	WP1052000SC	40	31
SM6051202TP	12	23	SS6080810SP	14	58	WP1252210SC	24	25
SM6051552SP	16	18	SS6080810SP	16	34	WS0510002KP	24	31
SM6051602TP	6	34	SS6111010SP	8	42	WS0610002KN	16	9
SM6051602TP	12	2	SS6111010SP	18	11	WS0610002KN	24	5
SM6051602TP	26	19	SS6111140SP	8	11	WS0820002KN	24	23
SM6052002TP	24	29	SS7090510SL	16	40	WS0820002KN	40	28
SM6052002TR	16	16	SS7090510SP	2	17	WS0820002KP	26	15
SM6052502SP	6	11	SS7090510SP	8	29	WS1020002KN	40	32
SM6053002TN	32	28	SS7090510SP	18	16			
SM6054002TN	16	1	SS7090510SP	30	26			
SM6061002TP	40	38	SS7090710SL	2	36			
SM6061202TP	40	40	SS7090710SL	8	40			
SM6061402TN	24	4	SS7090710SL	12	27			
SM6061602TN	32	27	SS7090710SL	38	13			
SM6062002TN	40	35	SS7090710SN	30	27			
SM6062002TR	16	8	SS7090710SN	32	35			
SM6062502TN	12	37	SS7090710SP	2	43			
SM6063002TP	12	30	SS7090710SP	6	30			
SM6064002TN	12	45	SS7090710SP	12	40			
SM6067552TP	26	18	SS7090710SP	16	31			
SM6081542CP	40	37	SS7090710SP	34	19			
SM6081552TP	40	41	SS7091110SP	30	21			
SM6082002TN	12	46	SS7111120SP	34	18			
SM6082002TN	24	18	SS7111410SP	2	10			
SM6082002TN	34	17	SS8110310SP	14	48			
SM6082002TN	40	36	SS8110410TP	32	33			
SM6082502TP	26	14	SS8150810SP	6	19			
SM6083002TN	40	33	SS8150810SP	8	15			
SM6086002TP	32	9	SS8150920SP	14	70			
SM6087002TN	40	26	SS9111010SP	8	20			
SM6089502TP	26	11	SS9111010SP	16	7			
SM6102512TP	40	30	SS9111510SP	8	44			
SM8082502TP	26	16	SS9111510SP	18	14			
SM9051003SE	6	31	WP0320500SC	12	20			
SM9122003SC	24	24	WP0450801SD	8	41			
SS2090710TP	16	23	WP0450801SD	12	42			