

MODEL : MOF-3900 SUBCLASSES/MOF-3904/MOF-3905

List No : 1114-00

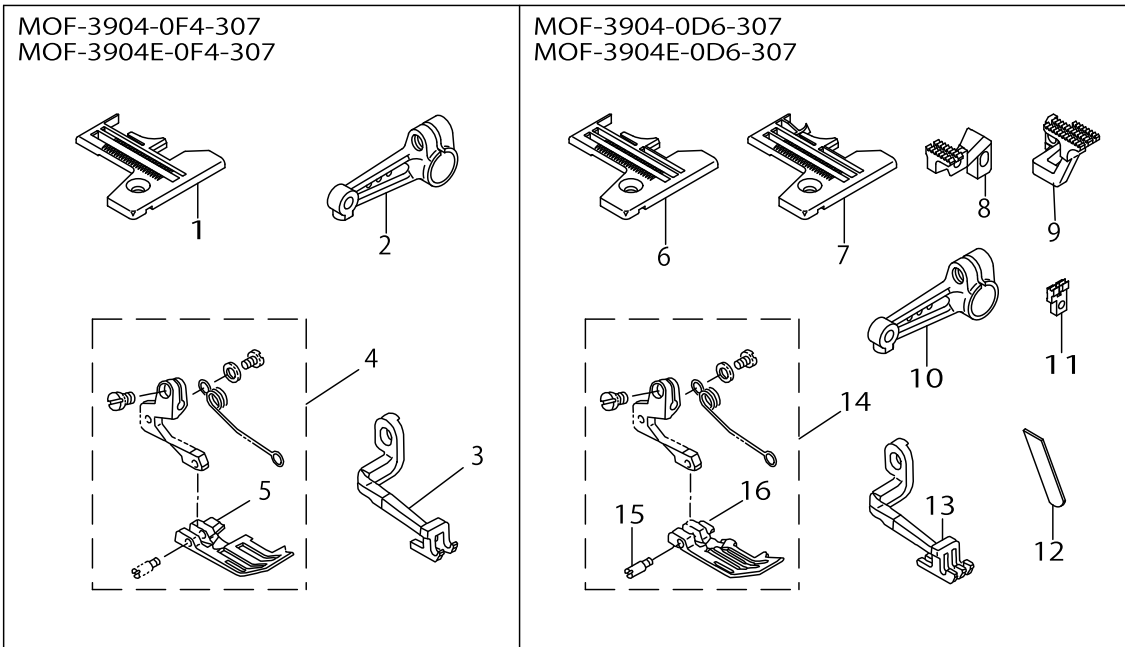
PARTS LIST

Published:05/12/2017

CONTENTS

MOF-3900 SUBCLASSES (1)	1
MOF-3900 SUBCLASSES (2)	3
MOF-3900 SUBCLASSES (3)	5
MOF-3900 SUBCLASSES (4)	7
HOW TO MAKE USE OF THIS PARTS LIST	9

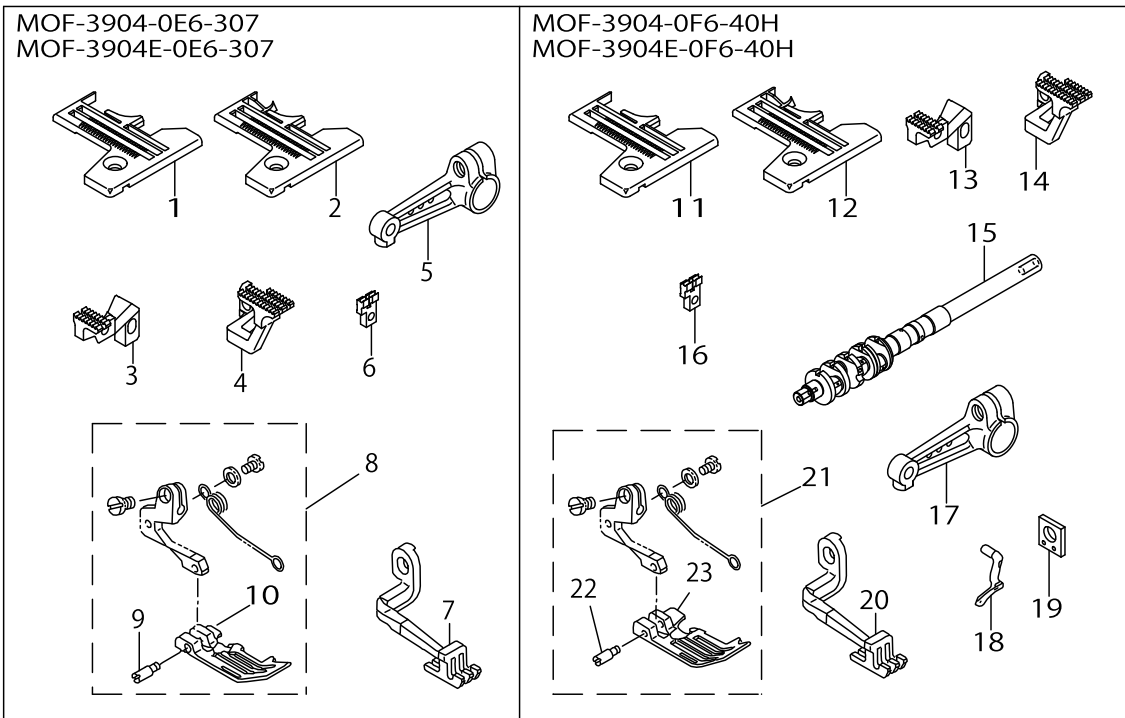
MOF-3900 SUBCLASSES (1)



MOF-3900 SUBCLASSES (1)

No.	Supply Code	Parts No.	Replacement	Parts name	Remarks	Choice	Step	Level	Cons	Qty	Rep. QTY
1	R	R4200K0FD00	R4200K6FD00	THROAT PLATE						1	1.00
2	R	12214607	12214656	UPPER LOOPER ARM D						1	1.00
3		11936705		TOP FEED DOG						1	
4	D	11932159		PRESSER FOOT ASM.						1	
5	D	11926003		PRESSER FOOT				*		1	
6	R	R4300K0DE00	R4300K6DE00	THROAT PLATE						1	1.00
7		R4300K0DE0A		THROAT PLATE	P01/Q01 E- XCHANGING PARTS					1	
8		12235206		MAIN FEED DOG						1	
9		12236709		DIFFERENTIAL FEED DOG						1	
10	R	12214607	12214656	UPPER LOOPER ARM D						1	1.00
11	D	12238200		AUXILIARY FEED DOG	P01/Q01 E- XCHANGING PARTS					1	
12		12220406		LOWER KNIFE						1	
13		11936804		TOP FEED DOG						1	
14		12320453		PRESSER FOOT ASM.						1	
15		11930609		HINGE PIN				*		1	
16	R	12320404	12320453	PRESSER FOOT				*		1	1.00

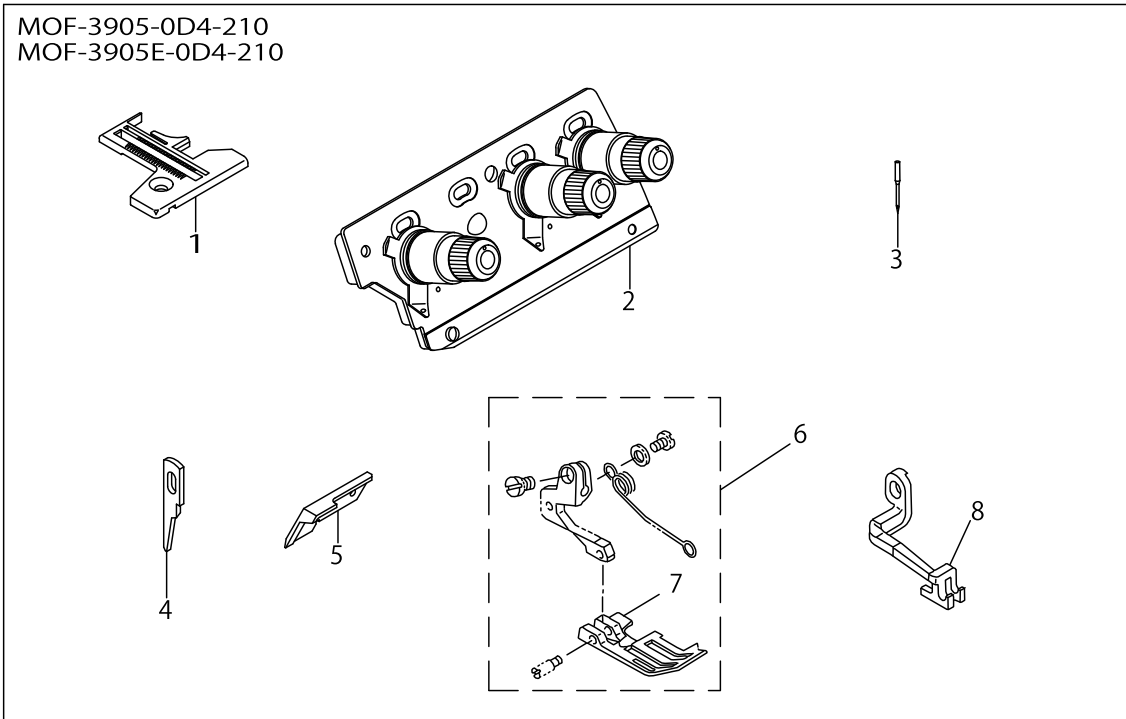
MOF-3900 SUBCLASSES (2)



MOF-3900 SUBCLASSES (2)

No.	Supply Code	Parts No.	Replacement	Parts name	Remarks	Choice	Step	Level	Cons	Qty	Rep. QTY
1	R	R4300K0EE00	R4300K6EE00	THROAT PLATE						1	1.00
2		R4300K0EE0A		THROAT PLATE	P03/Q01 E- XCHANGING PARTS					1	
3		12235206		MAIN FEED DOG						1	
4		12236709		DIFFERENTIAL FEED DOG						1	
5	R	12214607	12214656	UPPER LOOPER ARM D						1	1.00
6	D	12238200		AUXILIARY FEED DOG	P03/Q01 E- XCHANGING PARTS					1	
7		11936804		TOP FEED DOG						1	
8		12320453		PRESSER FOOT ASM.						1	
9		11930609		HINGE PIN				*		1	
10	R	12320404	12320453	PRESSER FOOT				*		1	1.00
11		R4300K0FE00		THROAT PLATE						1	
12	D	R4300K0FE0A		THROAT PLATE						1	
13		12235206		MAIN FEED DOG						1	
14		12236709		DIFFERENTIAL FEED DOG						1	
15		12292108		MAIN SHAFT						1	
16	D	12238200		AUXILIARY FEED DOG						1	
17	R	12214607	12214656	UPPER LOOPER ARM D						1	1.00
18		12247102		UPPER LOOPER						1	
19	D	11893609		GAUGE						1	
20		11936804		TOP FEED DOG						1	
21		11932258		PRESSER FOOT ASM.						1	
22		11930609		HINGE PIN				*		1	
23	R	11926102	11932258	PRESSER FOOT				*		1	1.00

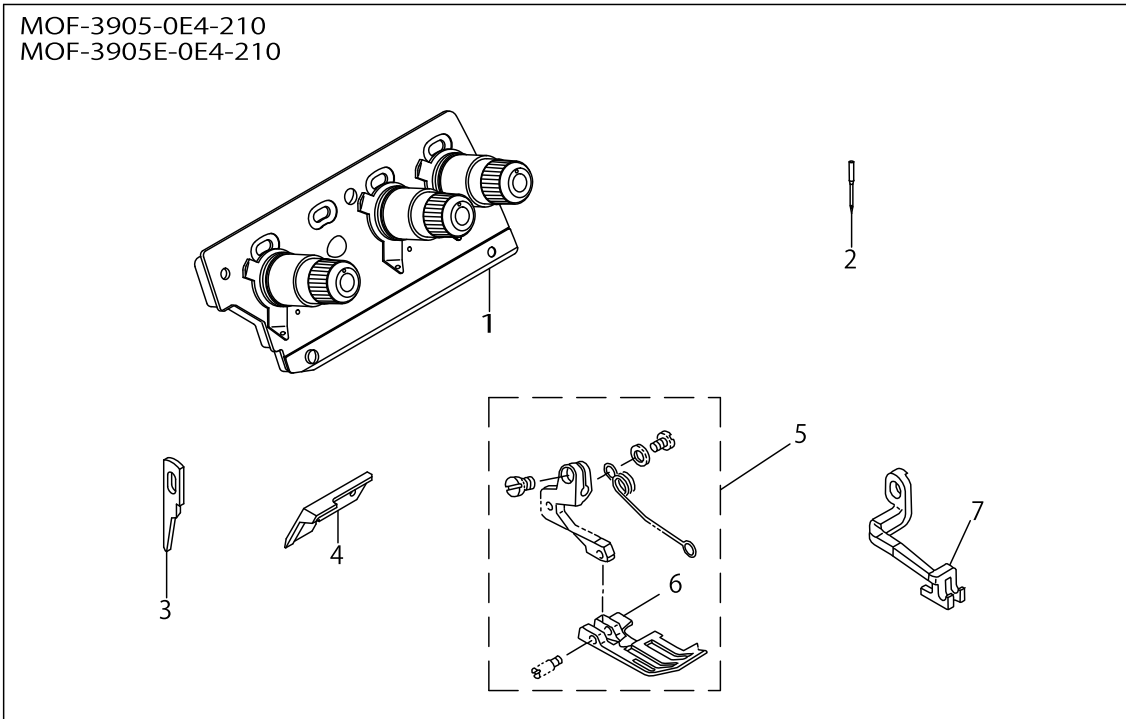
MOF-3900 SUBCLASSES (3)



MOF-3900 SUBCLASSES (3)

No.	Supply Code	Parts No.	Replacement	Parts name	Remarks	Choice	Step	Level	Cons	Qty	Rep. QTY
1		R4200K0DD00		THROAT PLATE						1	
2	D	12180568		THREAD GUIDE PLATE ASM.						1	
3		MDC270B0900		NEEDLE DCX27 #9						1	
4		11845708		KNIFE	FOR DOME- STIC USE					1	
5		11845906		UPPER KNIFE	FOR EXPORT					1	
6	D	11935764		PRESSER ASM.						1	
7	D	11929213		PRESSER FOOT				*		1	
8	D	11939311		UPPER FEED DOG						1	

MOF-3900 SUBCLASSES (4)



MOF-3900 SUBCLASSES (4)

No.	Supply Code	Parts No.	Replacement	Parts name	Remarks	Choice	Step	Level	Cons	Qty	Rep. QTY
1	D	12180568		THREAD GUIDE PLATE ASM.						1	
2		MDC270B0900		NEEDLE DCX27 #9						1	
3		11845708		KNIFE	FOR DOME- STIC USE					1	
4		11845906		UPPER KNIFE	FOR EXPORT					1	
5	D	11935764		PRESSER ASM.						1	
6	D	11929213		PRESSER FOOT				*		1	
7	D	11939311		UPPER FEED DOG						1	

HOW TO MAKE USE OF THIS PARTS LIST

1.As to "#01" and "#02" refer to the "Note" given at the bottom of the respective pages.

2.Codes on the "Qty" column

- Each numeral indicates the number of parts required.
- "0.1" and "2.5" indicate the length (in meters) of the respective parts.

3.Parentheses mean that the corresponding part is a subpart that constructs an assembly part.

4.Dotted lines on the Figures indicate assembly parts.

1. リストページの# 0 1、# 0 2の印は、ページ下の"注記"の説明を参照下さい。
2. 数量欄の数字は、個数を表し、0. 1、2. 5等の数値は、長さ（単位メートル）を表します。
3. 数量欄の（ ）は、組部品を構成している子部品であることを意味します。
4. イラストページの-----枠は、組構成であることを意味します。

NUMERICAL INDEX OF PARTS

PART NO	PAGE	REF NO.	PART NO	PAGE	REF NO.
11845708	6	4	R4300K0FE00	4	11
11845708	8	3	R4300K0FE0A	4	12
11845906	6	5			
11845906	8	4			
11893609	4	19			
11926003	2	5			
11926102	4	23			
11929213	6	7			
11929213	8	6			
11930609	2	15			
11930609	4	22			
11932159	2	4			
11932258	4	21			
11935764	6	6			
11935764	8	5			
11936705	2	3			
11936804	2	13			
11936804	4	20			
11939311	6	8			
11939311	8	7			
12180568	6	2			
12180568	8	1			
12214607	2	10			
12214607	4	17			
12220406	2	12			
12235206	2	8			
12235206	4	13			
12236709	2	9			
12236709	4	14			
12238200	2	11			
12238200	4	16			
12247102	4	18			
12292108	4	15			
12320404	2	16			
12320404	4	10			
12320453	2	14			
12320453	4	8			
MDC270B0900	6	3			
MDC270B0900	8	2			
R4200K0DD00	6	1			
R4200K0FD00	2	1			
R4300K0DE00	2	6			
R4300K0DE0A	2	7			
R4300K0EE00	4	1			
R4300K0EE0A	4	2			