

MODEL : T045/T046

List No : 1117-02

# PARTS LIST

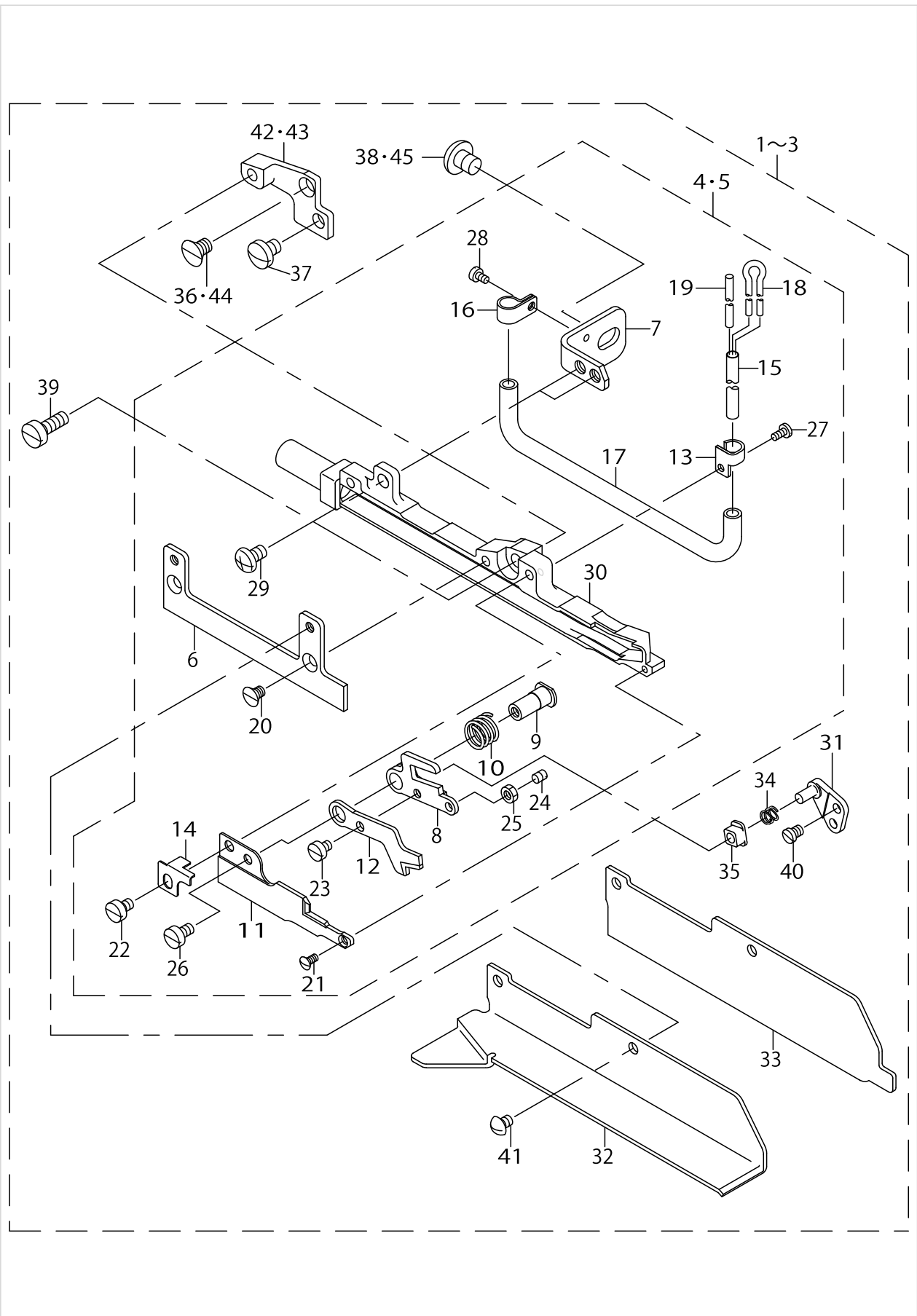
Published:05/12/2017

## CONTENTS

---

PNEUMATIC SIDE CUTTER (T045, T046).....	1
HOW TO MAKE USE OF THIS PARTS LIST .....	5

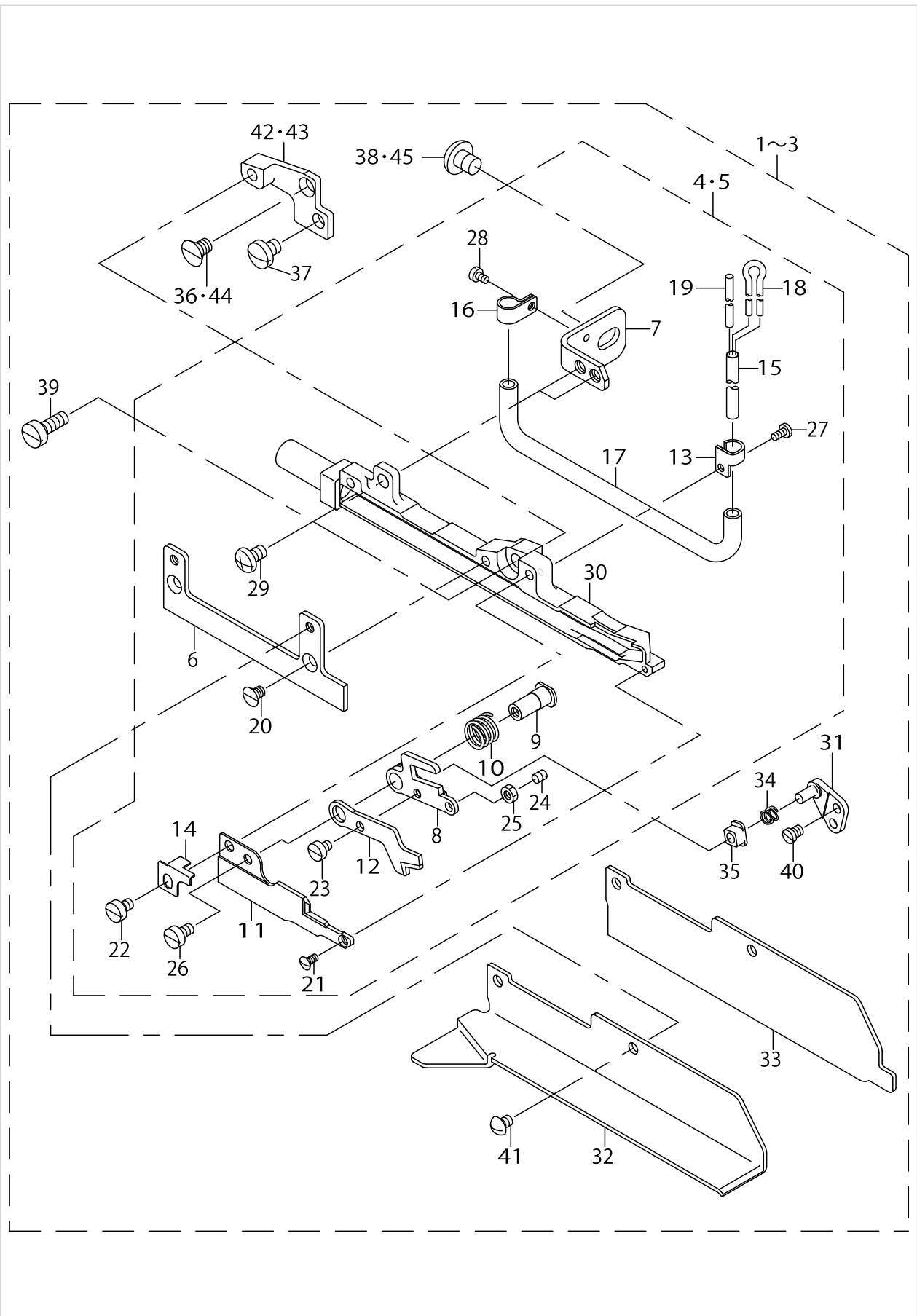
PNEUMATIC SIDE CUTTER (T045, T046)



PNEUMATIC SIDE CUTTER (T045, T046)

No.	Supply Code	Parts No.	Replacement	Parts name	Remarks	Choice	Step	Level	Cons	Qty	Rep. QTY
1		MAT045000A0		PNEUMATIC SIDE CUTTER ASM.	FOR T045(-MOR-3900,-MO-6900R)					1	
2	D	MAT046000A0		PNEUMATIC SIDE CUTTER ASM.	FOR T046					1	
3	D	MAT045000AA		PNEUMATIC SIDE CUTTER ASM.	FOR T045(-MO-3300)					1	
4		MAT045010B0		KNIFE BASE MAS. ASM.				*		1	
5	D	MAT046010A0		KNIFE BASE MAS. ASM.	FOR T046			*		1	
6	D	MAT04502000		KNIFE REST LID				*		1	
7	D	MAT04504000		KNIFE REST PLATE				*		1	
8		MAT04506000		DRIVING LEVER				*		1	
9	D	MAT04507000		WORK KNIFE SHAFT				*		1	
10	D	MAT04508000		SPRING				*		1	
11		MAT04509000		COUNTER KNIFE				*		1	
12		MAT04510000		MOVING KNIFE				*		1	
13		MAT04511000		OIL SUPPLY PIPE BRACKET				*		1	
14	D	MAT04512000		OIL SUPPLY HOLDER				*		1	
15		MAT04513000		KNIFE OIL SUPPLY TUBE				*		1	
16		MAT03610000		OIL SUPPLY PIPE BRACKET				*		1	
17		BP400000000		VINYL TUBE, WHITE D=4				*		0.13	
18		CQ200000000		OIL WICK				*		0.11	
19		CQ2500000F0		OIL WICK				*		0.06	
20		SS1090510SP		SCREW 9/64-40 L=5				*		2	
21		SS2060510SP		SCREW 3/32-56 L=4.5				*		1	
22		SS6090520SP		SCREW 9/64-40 L=5.0				*		1	
23		SS6080410SP		SCREW 1/8-44 L=4				*		1	
24		SS8080410TP		SCREW 1/8-44 L=3.5				*		1	
25		NS6080210SP		NUT 1/8-44				*		1	
26		SS6090620TP		SCREW				*		1	
27		SS7060510SP		SCREW 3/32-56 L=4.8				*		1	
28		SS6060410TP		SCREW 3/32-56 L=3.5				*		1	
29		SS4110715SP		SCREW 11/64-40 L=7				*		1	
30		MAT045010A0		KNIFE BASE CONNECTION				*		1	
31		MAT04505000		DRIVE PIN				*		1	
32		MAT04514000		SIDE COVER	FOR T045			*		1	
33		MAT04602000		CROSSWISE COVER	FOR T046			*		1	
34		MAT02106000		SPRING				*		1	
35	R	MAT02503000	40045962	SLIDE BLOCK				*		1	1.00
36		SS1120710SP		SCREW 3/16-28 L=6.5				*		1	
37		SS7120640SP		SCREW 3/16-28 L=6	FOR T045(-MOR-3900,-MO-6900R),T046			*		1	
38		SS4150715SP		SCREW 15/64-28 L=7				*		1	
39		SS6111210SP		SCREW 11/64-40 L=12				*		1	
40		SS6080410SP		SCREW 1/8-44 L=4				*		2	
41	R	SS3090510SL	SS3090510SP	SCREW 9/64-40 L=5				*		2	1.00
42		MAT04515000		KNIFE REST BRACKET	FOR T045(-MO-3300)			*		1	
43		MAT04503000		KNIFE BASE INSTALL BASE	FOR T045(-MOR-3900,-MO-6900R),T046			*		1	

PNEUMATIC SIDE CUTTER (T045, T046)



PNEUMATIC SIDE CUTTER (T045, T046)

No.	Supply Code	Parts No.	Replacement	Parts name	Remarks	Choice	Step	Level	Cons	Qty	Rep. QTY
44		SM1040800SP		SCREW	FOR T045(- MO-3300)			*		1	
45		SM6060800SP		SCREW M6 L=8	FOR T045(- MO-3300)			*		1	

## HOW TO MAKE USE OF THIS PARTS LIST

1.As to "#01" and "#02" refer to the "Note" given at the bottom of the respective pages.

2.Codes on the "Qty" column

- Each numeral indicates the number of parts required.
- "0.1" and "2.5" indicate the length (in meters) of the respective parts.

3.Parentheses mean that the corresponding part is a subpart that constructs an assembly part.

4.Dotted lines on the Figures indicate assembly parts.

1. リストページの# 0 1、# 0 2の印は、ページ下の"注記"の説明を参照下さい。
2. 数量欄の数字は、個数を表し、0. 1、2. 5等の数値は、長さ（単位メートル）を表します。
3. 数量欄の（ ）は、組部品を構成している子部品であることを意味します。
4. イラストページの-----枠は、組構成であることを意味します。

# NUMERICAL INDEX OF PARTS

PART NO	PAGE	REF NO.
BP400000000	2	17
CQ200000000	2	18
CQ2500000F0	2	19
MAT02106000	2	34
MAT02503000	2	35
MAT03610000	2	16
MAT045000A0	2	1~3
MAT045000AA	2	1~3
MAT045010A0	2	30
MAT045010B0	2	4·5
MAT04502000	2	6
MAT04503000	2	42·43
MAT04504000	2	7
MAT04505000	2	31
MAT04506000	2	8
MAT04507000	2	9
MAT04508000	2	10
MAT04509000	2	11
MAT04510000	2	12
MAT04511000	2	13
MAT04512000	2	14
MAT04513000	2	15
MAT04514000	2	32
MAT04515000	2	42·43
MAT046000A0	2	1~3
MAT046010A0	2	4·5
MAT04602000	2	33
NS6080210SP	2	25
SM1040800SP	4	36·44
SM6060800SP	4	38·45
SS1090510SP	2	20
SS1120710SP	2	36·44
SS2060510SP	2	21
SS3090510SL	2	41
SS4110715SP	2	29
SS4150715SP	2	38·45
SS6060410TP	2	28
SS6080410SP	2	40
SS6090520SP	2	22
SS6090620TP	2	26
SS6111210SP	2	39
SS7060510SP	2	27
SS7120640SP	2	37
SS8080410TP	2	24