

MODEL : MOR-3900 SUBCLASSES/MOR-3904/MOR-3905

List No : 1111-01

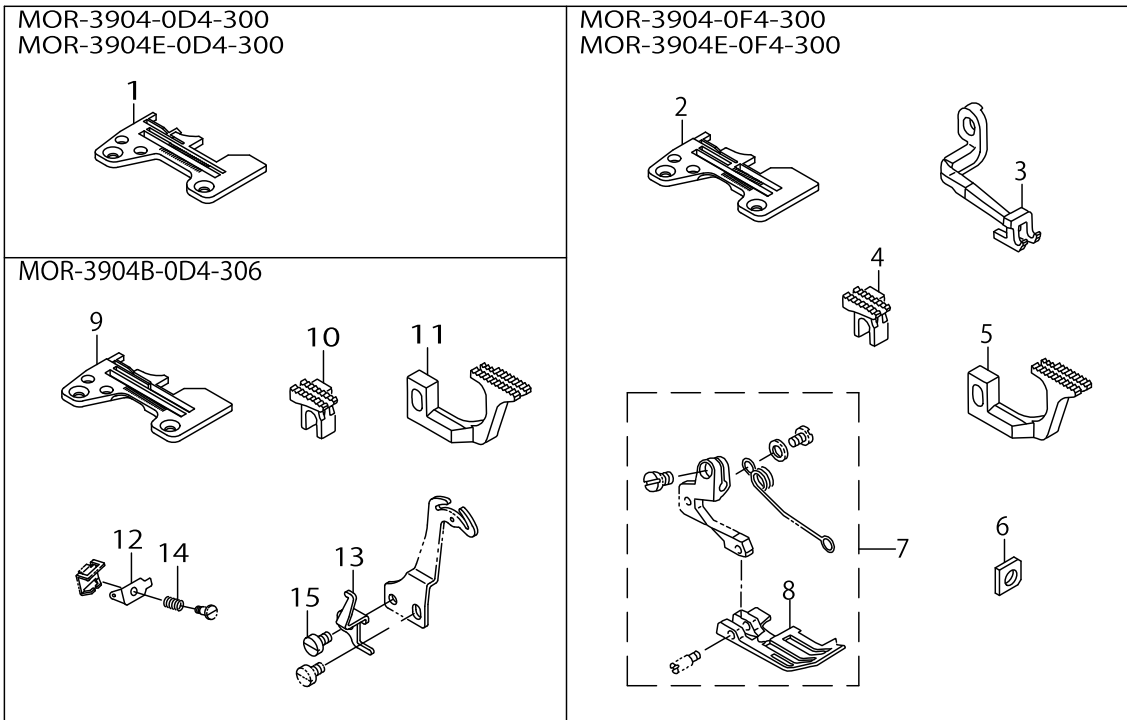
PARTS LIST

Published:05/12/2017

CONTENTS

MOR-3900 SUBCLASSES (1).....	1
MOR-3900 SUBCLASSES (2).....	3
MOR-3900 SUBCLASSES (3).....	5
MOR-3900 SUBCLASSES (4).....	7
MOR-3900 SUBCLASSES (5).....	9
MOR-3900 SUBCLASSES (6).....	11
LIST FOR INFORMATION OF CHANGE.....	13
HOW TO MAKE USE OF THIS PARTS LIST	14

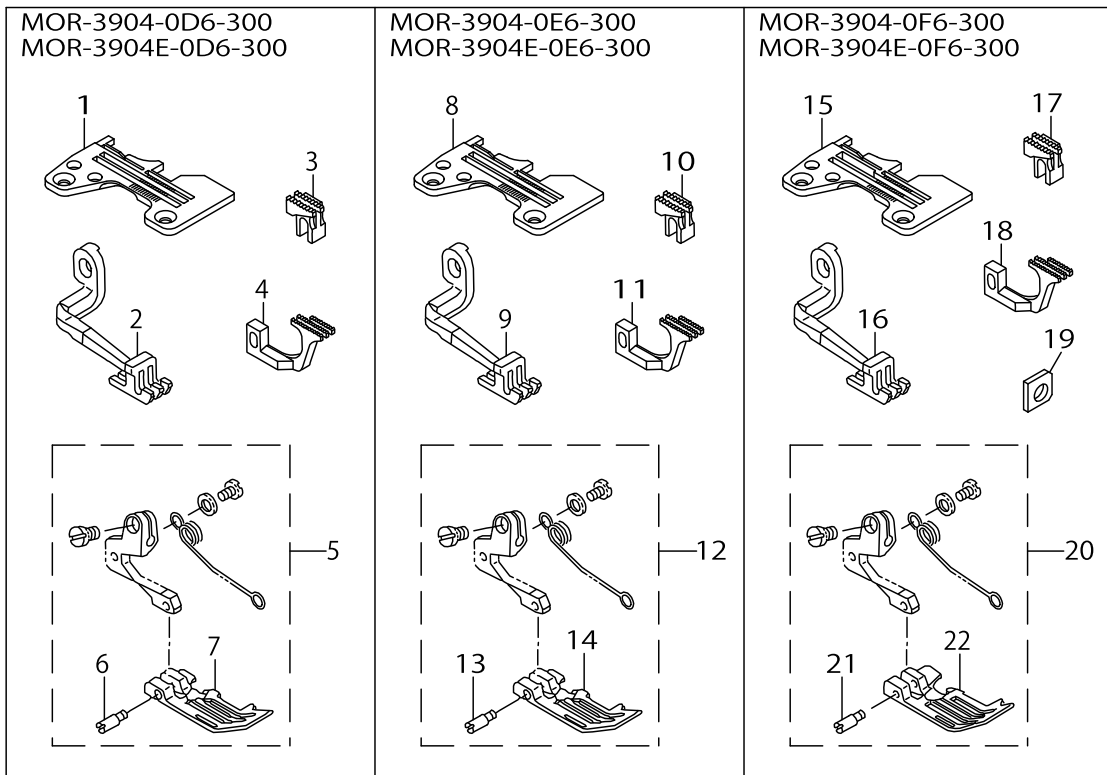
MOR-3900 SUBCLASSES (1)



MOR-3900 SUBCLASSES (1)

No.	Supply Code	Parts No.	Replacement	Parts name	Remarks	Choice	Step	Level	Cons	Qty	Rep. QTY
1	R	R4200J0DD00	R4200J6DD00	HROAT PLATE						1	1.00
2		R4200J0FD0B		THROAT PLATE						1	
3		11936705		TOP FEED DOG						1	
4		11597101		MAIN FEED DOG						1	
5		B1657814B0E		DIFFERENTIAL FEED DOG						1	
6	R	11991809	13132006	GAUGE						1	1.00
7	D	11932159		PRESSER FOOT ASM.						1	
8	D	11926003		PRESSER FOOT				*		1	
9	R	R4200J0DD0C	R4200J6DD0C	THROAT PLATE						1	1.00
10		11597101		MAIN FEED DOG						1	
11		11886207		DIFFERENTIAL FEED DOG						1	
12		12112504		NEEDLE THREAD P- RESSER PLATE C						1	
13		12304705		DIFFERENTIAL FEED CAM						1	
14		12112702		NEEDLE THREAD P- RESSER SPRING B						1	
15		SS6090620TP		SCREW						1	

MOR-3900 SUBCLASSES (2)

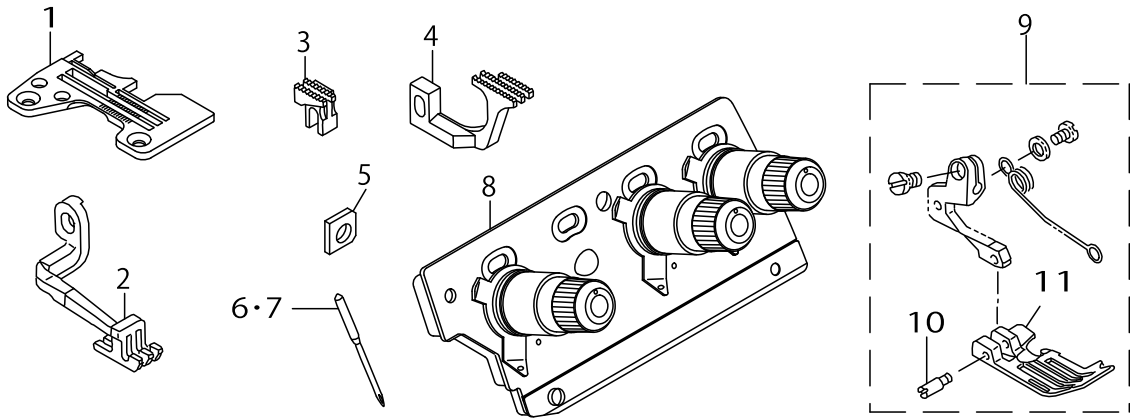


MOR-3900 SUBCLASSES (2)

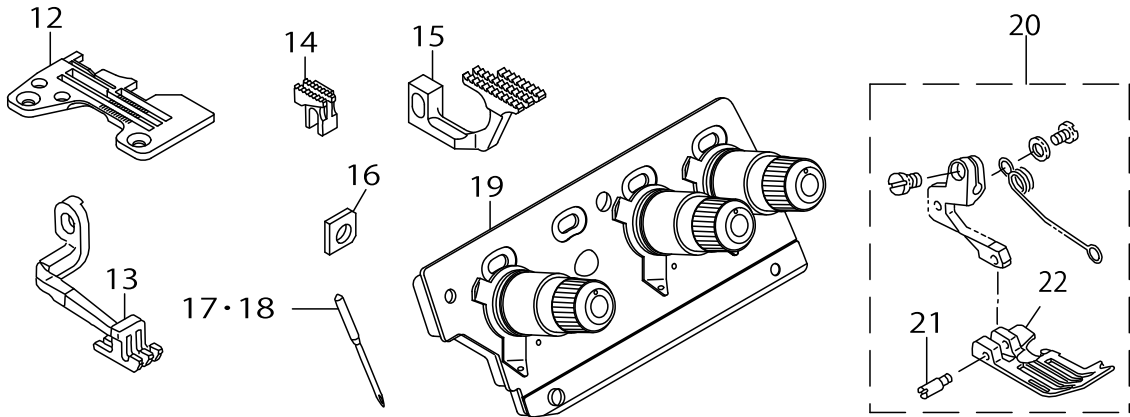
No.	Supply Code	Parts No.	Replacement	Parts name	Remarks	Choice	Step	Level	Cons	Qty	Rep. QTY
1	R	R4300J0DE00	R4300J6DE00	THROAT PLATE						1	1.00
2		11936804		TOP FEED DOG						1	
3		11882206		MAIN FEED DOG						1	
4		11885100		DIFFERENTIAL FEED DOG						1	
5		12320453		PRESSER FOOT ASM.						1	
6		11930609		HINGE PIN				*		1	
7	R	12320404	12320453	PRESSER FOOT				*		1	1.00
8	R	R4300J0EE00	R4300J6EE00	THROAT PLATE						1	1.00
9		11936804		TOP FEED DOG						1	
10		11882206		MAIN FEED DOG						1	
11		11885100		DIFFERENTIAL FEED DOG						1	
12		12320453		PRESSER FOOT ASM.						1	
13		11930609		HINGE PIN				*		1	
14	R	12320404	12320453	PRESSER FOOT				*		1	1.00
15	R	R4300J0FE0B	R4300J6FE0B	THROAT PLATE						1	1.00
16		11936804		TOP FEED DOG						1	
17		11882206		MAIN FEED DOG						1	
18		11885100		DIFFERENTIAL FEED DOG						1	
19	R	11991809	13132006	GAUGE						1	1.00
20		11932258		PRESSER FOOT ASM.						1	
21		11930609		HINGE PIN				*		1	
22	R	11926102	11932258	PRESSER FOOT				*		1	1.00

MOR-3900 SUBCLASSES (3)

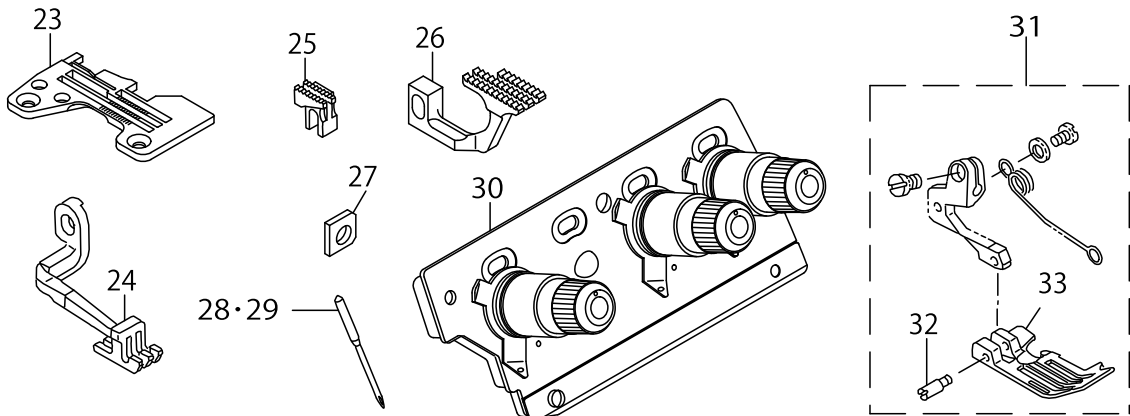
MOR-3904-0F6-500
MOR-3904E-0F6-500



MOR-3904-0G6-500
MOR-3904E-0G6-500



MOR-3904-0H6-500
MOR-3904E-0H6-500

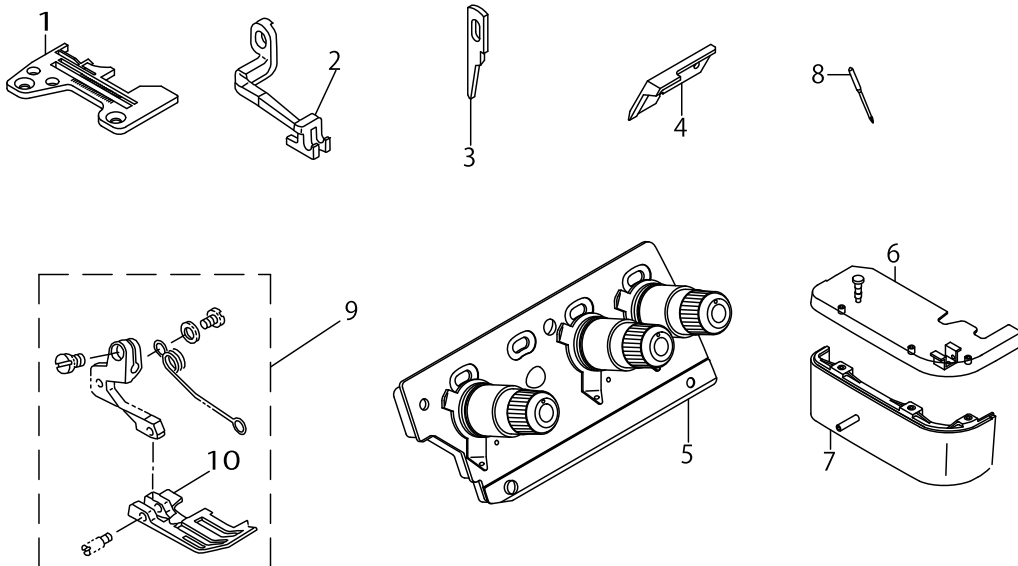


MOR-3900 SUBCLASSES (3)

No.	Supply Code	Parts No.	Replacement	Parts name	Remarks	Choice	Step	Level	Cons	Qty	Rep. QTY
1	R	R4300J0FE0B	R4300J6FE0B	THROAT PLATE						1	1.00
2		11936804		TOP FEED DOG						1	
3		11883303		MAIN FEED DOG						1	
4		11885605		DIFFERENTIAL FEED DOG						1	
5	R	11991809	13132006	GAUGE						1	1.00
6		MDC270B1400		NEEDLE DCX27 #14						1	
7	D	MC033600900		NEEDLE B-27 NM90	FOR JE					1	
8		12180469		THREAD GUIDE PLATE ASM.						1	
9		11932258		PRESSER FOOT ASM.						1	
10		11930609		HINGE PIN				*		1	
11	R	11926102	11932258	PRESSER FOOT				*		1	1.00
12		R4300J0GE00		THROAT PLATE						1	
13		11936804		TOP FEED DOG						1	
14		11883303		MAIN FEED DOG						1	
15	D	12171708		DIFFERENTIAL FEED DOG						1	
16	R	11991809	13132006	GAUGE						1	1.00
17		MDC270B1400		NEEDLE DCX27 #14						1	
18	D	MC033600900		NEEDLE B-27 NM90	FOR JE					1	
19		12180469		THREAD GUIDE PLATE ASM.						1	
20		11932258		PRESSER FOOT ASM.						1	
21		11930609		HINGE PIN				*		1	
22	R	11926102	11932258	PRESSER FOOT				*		1	1.00
23		R4300J0HE00		THROAT PLATE						1	
24		11936804		TOP FEED DOG						1	
25		11883303		MAIN FEED DOG						1	
26	D	12171708		DIFFERENTIAL FEED DOG						1	
27	R	11991809	13132006	GAUGE						1	1.00
28		MDC270B1400		NEEDLE DCX27 #14						1	
29	D	MC033600900		NEEDLE B-27 NM90	FOR JE					1	
30		12180469		THREAD GUIDE PLATE ASM.						1	
31		11932258		PRESSER FOOT ASM.						1	
32		11930609		HINGE PIN				*		1	
33	R	11926102	11932258	PRESSER FOOT				*		1	1.00

MOR-3900 SUBCLASSES (4)

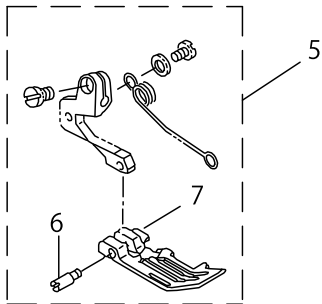
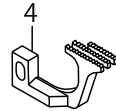
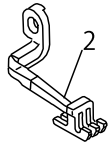
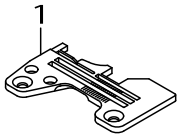
MOR-3905-0D4-210
MOR-3905E-0D4-210
MOR-3905-0E4-210
MOR-3905E-0E4-210



MOR-3900 SUBCLASSES (4)

No.	Supply Code	Parts No.	Replacement	Parts name	Remarks	Choice	Step	Level	Cons	Qty	Rep. QTY
1	R	R4200J0DD00	R4200J6DD00	THROAT PLATE	FOR MOR-- 3905-0D4-- 210, MOR-- 3905E-0D4-210.					1	1.00
2	D	11939311		TOP FEED DOG						1	
3		11845708		KNIFE	FOR DOME-- STIC USE					1	
4		11845906		UPPER KNIFE	FOR EXPORT					1	
5	D	12180568		THREAD GUIDE PLATE ASM.						1	
6	R	12105557	13106257	CLOTH PLATE ASM.						1	1.00
7		12104709		CLOTHPLATECOVER						1	
8		MDC270B0900		NEEDLE DCX27 #9						1	
9	D	11935764		PRESSER ASM.						1	
10	D	11929213		PRESSER FOOT				*		1	

MOR-3904-0E6-320
MOR-3904E-0E6-320

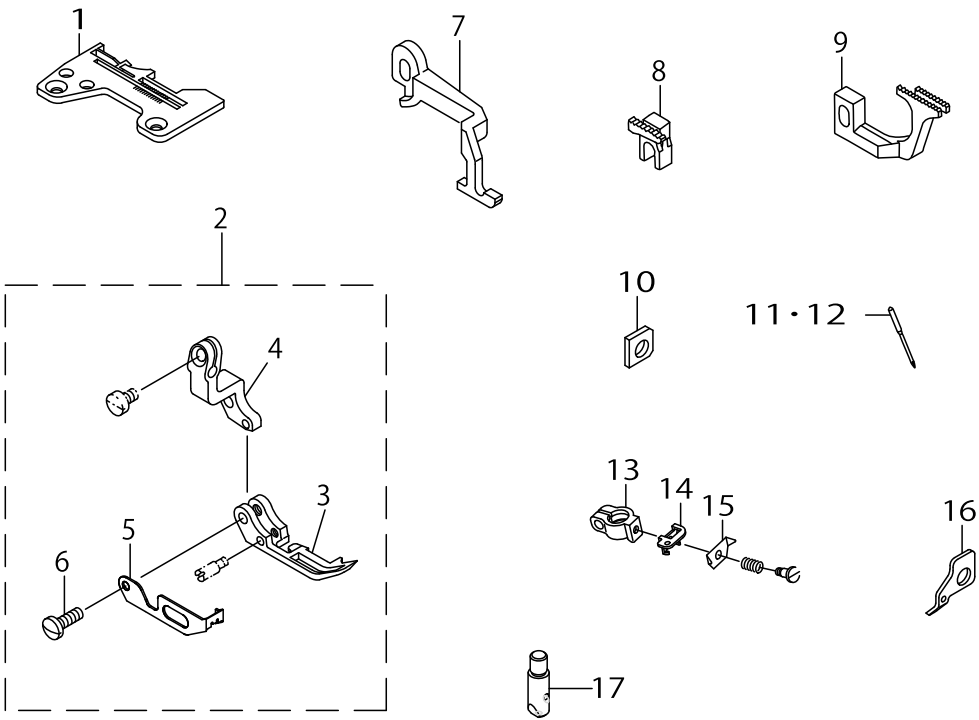


MOR-3900 SUBCLASSES (5)

No.	Supply Code	Parts No.	Replacement	Parts name	Remarks	Choice	Step	Level	Cons	Qty	Rep. QTY
1	R	R4300J0EE00	R4300J6EE00	THROAT PLATE						1	1.00
2		12330304		TOP FEED DOG						1	
3		11882206		MAIN FEED DOG						1	
4		11885100		DIFFERENTIAL FEED DOG						1	
5		12320453		PRESSER FOOT ASM.						1	
6		11930609		HINGE PIN				*		1	
7	R	12320404	12320453	PRESSER FOOT				*		1	1.00

MOR-3900 SUBCLASSES (6)

MOR-3904E-0H4-50M



MOR-3900 SUBCLASSES (6)

No.	Supply Code	Parts No.	Replacement	Parts name	Remarks	Choice	Step	Level	Cons	Qty	Rep. QTY
1	R	R4200J0HG00	R4200J6HG00	THROAT PLATE						1	1.00
2		11946860		PRESSER FOOT AS- M. (WITH GUARD)						1	
3	R	11946803	11946860	PRESSER FOOT				*		1	1.00
4		11946902		PRESSER HINGE				*		1	
5		11948908		FINGER GUARD				*		1	
6	R	SS7091110SP	SS7091110TP	SCREW 9/64-40 L=10.5				*		1	1.00
7		11947207		TOP FEED DOG						1	
8		11947009		MAIN FEED DOG						1	
9		11947108		DIFFERENTIAL FEED DOG						1	
10	R	11991809	13132006	GAUGE						1	1.00
11		MDC270B1600		NEEDLE DCX27 #16						1	
12		MC033601000		NEEDLE B-27 NM100	FOR JE					1	
13		12304309		NEEDLE CLAMP HOLDER						1	
14	R	12304408	31203201	NEEDLE THREAD PRESSER GUIDE						1	1.00
15	R	12304507	31203300	NEEDLE THREAD PRESSER PLATE						1	1.00
16		12304606		TAKE-UP LEVER GUIDE						1	
17		12303905		1-NEEDLE, NEEDLE CLAMP						1	

HOW TO MAKE USE OF THIS PARTS LIST

1.Explanation of codes

1)"*"mark.....means this part is changed from the previous parts book.

As to the details of the change, refer to the "List for information of change".

2)"#01".....refer to "Note" explanation at bottom of page.

2.Codes on the "Qty" column

- Each numeral indicates the number of parts required.
- "0.1" and "2.5" indicate the length (in meters) of the respective parts.

3.Parentheses mean that the corresponding part is a subpart that constructs an assembly part.

4.Dotted lines on the Figures indicate assembly parts.

1."注記"欄の記号説明

1) "*"印.....前回のパーツブックに比較して今回変更された部品を意味します。

変更内容は、"変更情報リスト"を参照してください。

2) "#01".....ページ下の"注記"の説明を参照してください。

2.数量欄の数字は、個数を表し、0.1、2.5等の数値は、長さ（単位メートル）を表します。

3.数量欄の（ ）は、組部品を構成している子部品であることを意味します。

4.イラストページの-----枠は、組構成であることを意味します。

NUMERICAL INDEX OF PARTS

PART NO	PAGE	REF NO.	PART NO	PAGE	REF NO.
11597101	2	10	12304408	12	14
11845708	8	3	12304507	12	15
11845906	8	4	12304606	12	16
11882206	4	17	12304705	2	13
11882206	10	3	12320404	4	14
11883303	6	25	12320404	10	7
11885100	4	18	12320453	4	12
11885100	10	4	12320453	10	5
11885605	6	4	12330304	10	2
11886207	2	11	B1657814B0E	2	5
11926003	2	8	MC033600900	6	28·29
11926102	4	22	MC033601000	12	11·12
11926102	6	33	MDC270B0900	8	8
11929213	8	10	MDC270B1400	6	28·29
11930609	4	21	MDC270B1600	12	11·12
11930609	6	32	R4200J0DD00	2	1
11930609	10	6	R4200J0DD00	8	1
11932159	2	7	R4200J0DD0C	2	9
11932258	4	20	R4200J0FD0B	2	2
11932258	6	31	R4200J0HG00	12	1
11935764	8	9	R4300J0DE00	4	1
11936705	2	3	R4300J0EE00	4	8
11936804	4	16	R4300J0EE00	10	1
11936804	6	24	R4300J0FE0B	4	15
11939311	8	2	R4300J0FE0B	6	1
11946803	12	3	R4300J0GE00	6	12
11946860	12	2	R4300J0HE00	6	23
11946902	12	4	SS6090620TP	2	15
11947009	12	8	SS7091110SP	12	6
11947108	12	9			
11947207	12	7			
11948908	12	5			
11991809	2	6			
11991809	4	19			
11991809	6	27			
11991809	12	10			
12104709	8	7			
12105557	8	6			
12112504	2	12			
12112702	2	14			
12171708	6	26			
12180469	6	30			
12180568	8	5			
12303905	12	17			
12304309	12	13			