

MODEL : FU-01S/FU-01L反転クランプ

List No : 1172-01

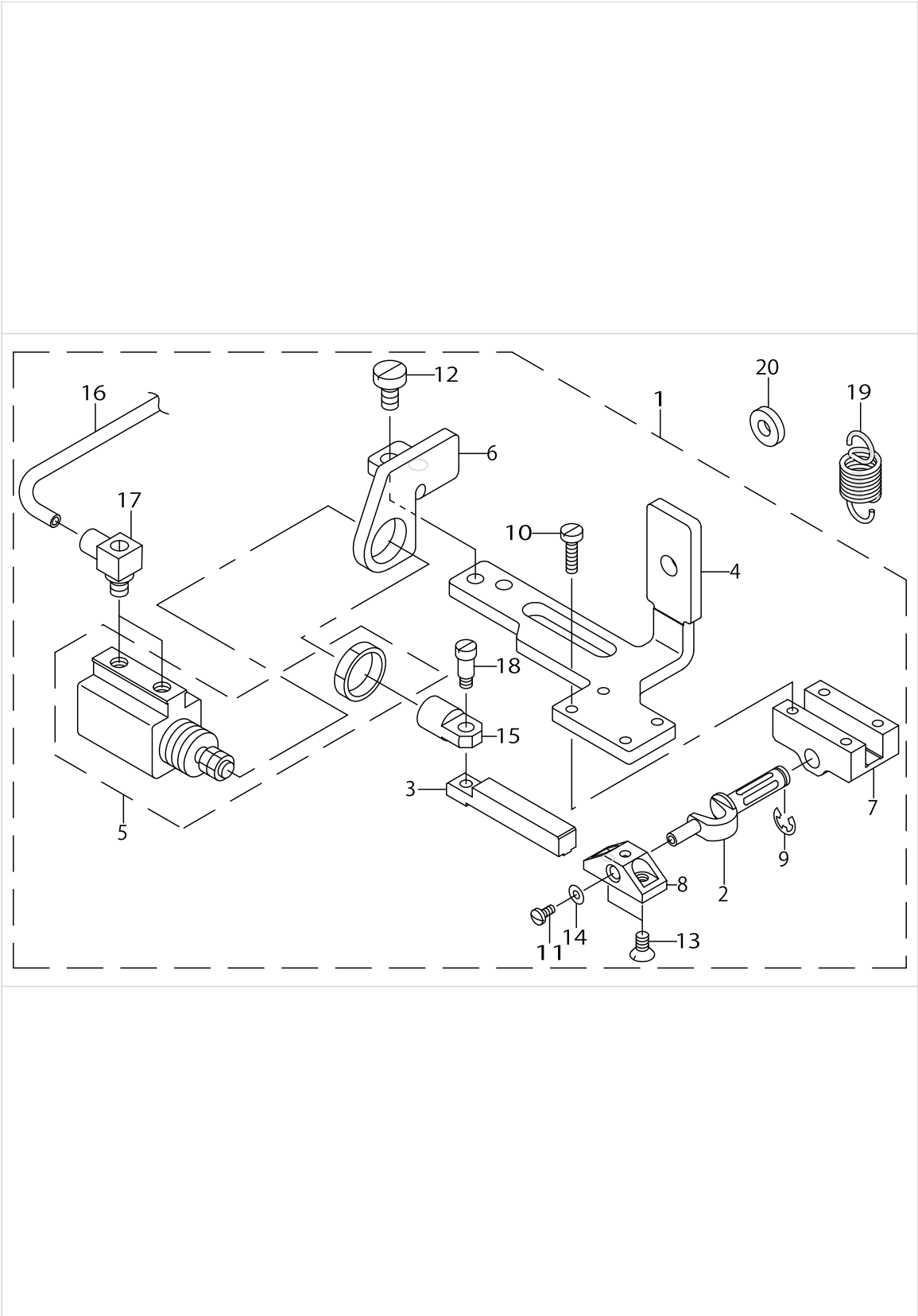
PARTS LIST

Published:05/12/2017

CONTENTS

TUAN AROUND MECHANISM COMPONENTS (1).....	1
TUAN AROUND MECHANISM COMPONENTS (2).....	3
PNEUMATIC COMPONENTS (FOR FU-01S).....	5
PNEUMATIC COMPONENTS (FOR FU-01L).....	7
HOW TO MAKE USE OF THIS PARTS LIST	9

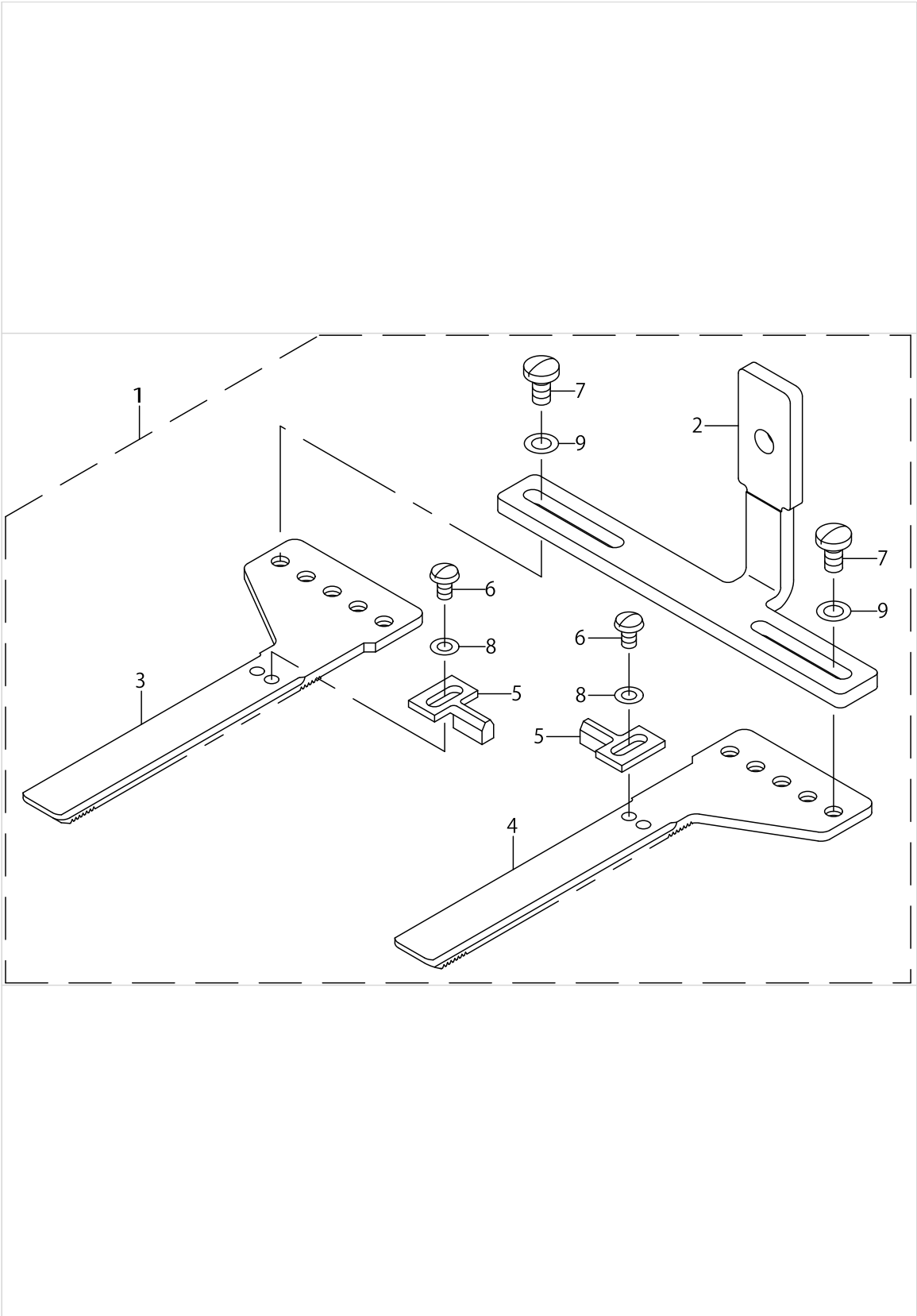
TUAN AROUND MECHANISM COMPONENTS (1)



TUAN AROUND MECHANISM COMPONENTS (1)

No.	Supply Code	Parts No.	Replacement	Parts name	Remarks	Choice	Step	Level	Cons	Qty	Rep. QTY
1		GFU010030A0		SLIDE PLATE ASM.						1	
2		GFU01001000		TURN AROUND CRANK SHAFT				*		1	
3		GFU01002000		INVERTING LAC				*		1	
4		GFU01003000		INNER PRESSER SLIDE PLATE				*		1	
5		PA1600801A0		AIR CYLINDER				*		1	
6		GFU01006000		TURN CYLINDER BRACKET				*		1	
7		B4303210000		TURN AROUND CRANK BEARING				*		1	
8		B4314210000		INTERMEDIATE PRESSER BASE				*		1	
9		RE0400000K0		E-RING 4				*		1	
10		SS6081210SP		SCREW 1/8-44 L=12				*		4	
11		SS7060610SP		SCREW 3/32-56 L=5.5				*		1	
12		SS6120940SP		SCREW 3/16-28 L=9				*		2	
13		SS1090750SP		SCREW 9/64-40 L=7				*		2	
14		WP0250516SD		WASHER 2.5X6X0.5				*		1	
15		B4306220000		KNUCKLE				*		1	
16		BT0400251EB		URETHANE HOSE, BLACK				*		1.3	
17		PJ046052503		HOSE ELBOW				*		2	
18		SD0460703TP		HINGE SCREW D=4.6 H=7				*		1	
19		GFU01007000		SPRING	FORFU-01S					1	
20		WP0502616SD		WASHER						1	

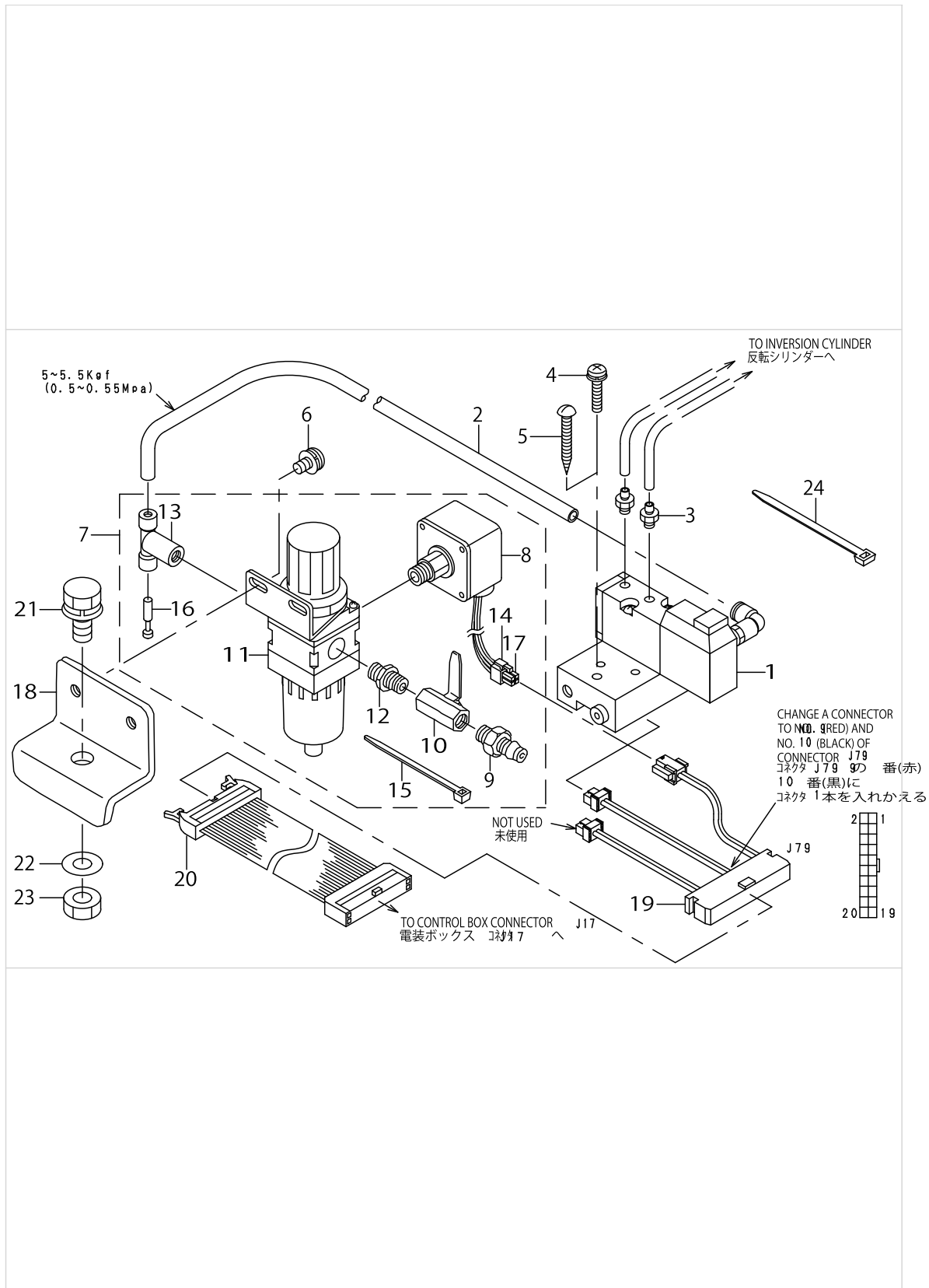
TUAN AROUND MECHANISM COMPONENTS (2)



TUAN AROUND MECHANISM COMPONENTS (2)

No.	Supply Code	Parts No.	Replacement	Parts name	Remarks	Choice	Step	Level	Cons	Qty	Rep. QTY
1		GFU010040A0		OUTER PRESSER S-LIDE PLATE ASM.						1	
2		GFU01004000		OUTER PRESSER SLIDE PLATE				*		1	
3		D255121XX00		WALKING FOOT (A)				*		1	
4		D255221XX00		WALKING FOOT (B)				*		1	
5		D255421XX00		COMPENSATING FOOT				*		2	
6		SS5090610SP		SCREW 9/64-40 L=6				*		2	
7		SS7110840SP		SCREW 11/64-40 L=7.8				*		4	
8		WP0371026SD		WASHER 3.7X7X1				*		2	
9		WP0480856SP		WASHER 4.8X8.4X0.8				*		4	

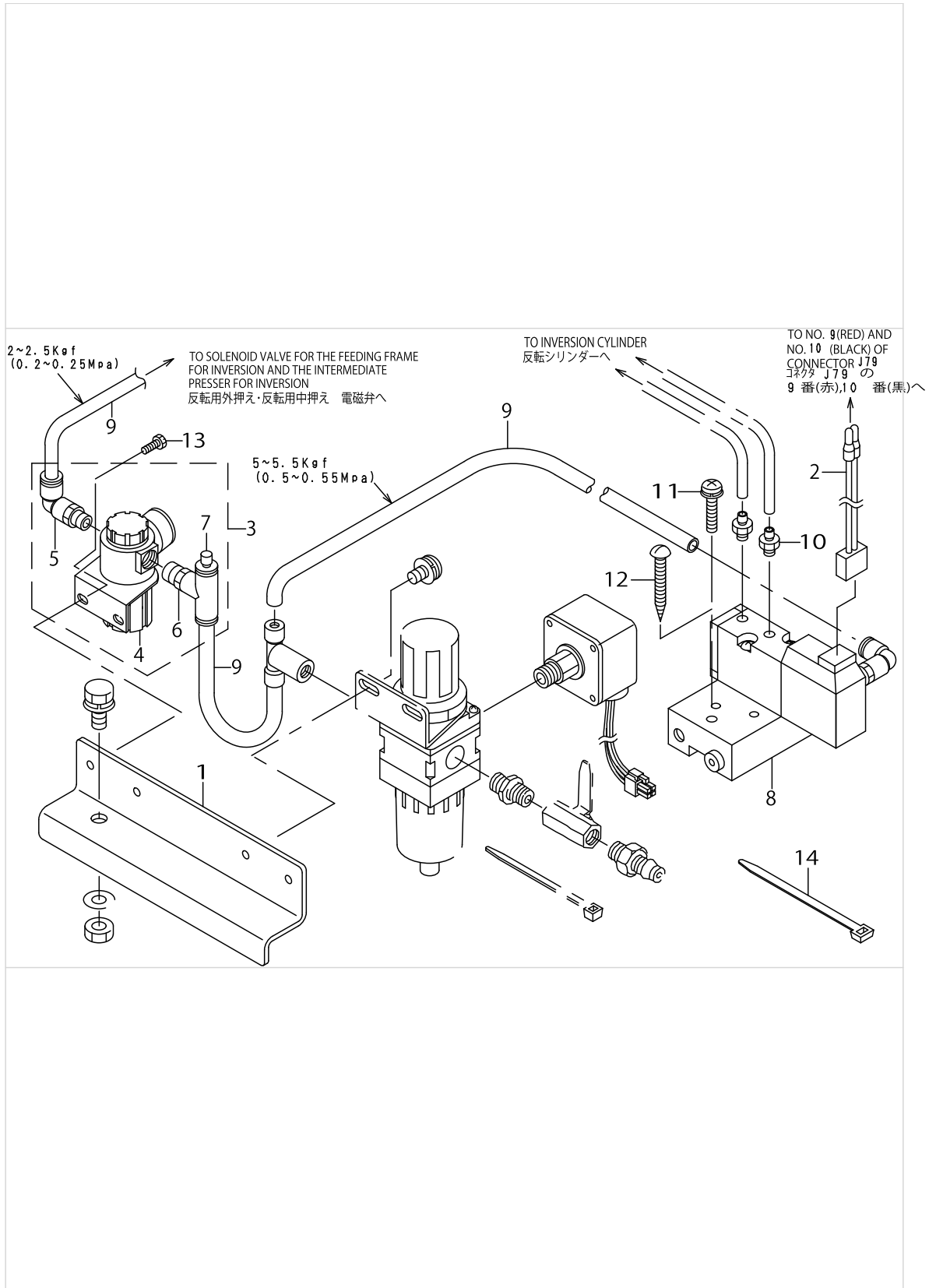
PNEUMATIC COMPONENTS (FOR FU-01S)



PNEUMATIC COMPONENTS (FOR FU-01S)

No.	Supply Code	Parts No.	Replacement	Parts name	Remarks	Choice	Step	Level	Cons	Qty	Rep. QTY
1		B4717223C00		SOLENOID VALVE						1	
2		BT0600401EB		TUBE						1.3	
3		PJ032052503		HOSE NIPPLE						2	
4		SL4042081SC		SCREW						2	
5	R	SK3413200SC	SK3413201SE	WOOD SCREW D=4.1 L=32						2	1.00
6		SL4051091SC		SCREW M5X0.8 L=10						2	
7		B47152150A0		FILTER REGULATOR ASM.						1	
8	R	G8124270000	G85048750A0	AIRPRESSUESWITCH		A	AVP-875	*		1	1.00
8	R	G8124270000	40030951	AIRPRESSUESWITCH		B	AMS-210E- N,AMS-221EN	*		1	1.00
8	R	G8124270000	B47152150A0	AIRPRESSUESWITCH		C	MEB-3200,- LK-1910/2- 0/30/41,AMS-224E	*		1	1.00
9		PJ309005203		QUICK JOINT PLUG				*		1	
10	R	G5430116000	40030951	AIR COCK				*		1	1.00
11		PF0552040B0		FILTER REGULATOR				*		1	
12		PJ030520001		RING JOINT (NIPPLE)				*		1	
13		PJ305065202		TEE				*		1	
14		HK034610040		HOUSING				*		1	
15		EA9500B0100		CABLE BAND				*		5	
16		PX950009000		PLUG				*		1	
17		HK034640000		PIN CONTACT				*		3	
18	R	B8211206000	40023662	FILTER INSTALLING PLATE						1	1.00
19		M90155800A0		SOLENOID VALVE CABLE ASM.						1	
20		M90145800A0		SOLENOID CONNEC- TING CABLE ASM.						1	
21		SL9082093SE		SCREW						1	
22		WP0871602SE		WASHER 8.7X18X1.6						1	
23		NM6080721SE		NUT M8						1	
24		EA9500B0100		CABLE BAND						3	

PNEUMATIC COMPONENTS (FOR FU-01L)



PNEUMATIC COMPONENTS (FOR FU-01L)

No.	Supply Code	Parts No.	Replacement	Parts name	Remarks	Choice	Step	Level	Cons	Qty	Rep. QTY
1		GFU01008000		REGULATOR FITTING PLATE						1	
2		B47122150A0		SOLENOID VALVE CONNECTOR ASM.						1	
3		GFU010090A0		LOW PRESSURE REGULATOR ASM.						1	
4		PF025208000		REGULATOR				*		1	
5		PJ304045203		ELBOW UNION				*		1	
6		PJ305065202		TEE				*		1	
7		PX950009000		PLUG				*		1	
8		B4717223C00		SOLENOID VALVE						1	
9		BT0600401EB		TUBE						1.6	
10		PJ032052503		HOSE NIPPLE						2	
11		SL4042081SC		SCREW						2	
12	R	SK3413200SC	SK3413201SE	WOOD SCREW D=4.1 L=32						2	1.00
13		SL4051091SC		SCREW M5X0.8 L=10						2	
14		EA9500B0100		CABLE BAND						3	

HOW TO MAKE USE OF THIS PARTS LIST

1.As to "#01" and "#02" refer to the "Note" given at the bottom of the respective pages.

2.Codes on the "Qty" column

- Each numeral indicates the number of parts required.
- "0.1" and "2.5" indicate the length (in meters) of the respective parts.

3.Parentheses mean that the corresponding part is a subpart that constructs an assembly part.

4.Dotted lines on the Figures indicate assembly parts.

1. リストページの# 0 1、# 0 2の印は、ページ下の"注記"の説明を参照下さい。
2. 数量欄の数字は、個数を表し、0. 1、2. 5等の数値は、長さ（単位メートル）を表します。
3. 数量欄の（ ）は、組部品を構成している子部品であることを意味します。
4. イラストページの-----枠は、組構成であることを意味します。

NUMERICAL INDEX OF PARTS

PART NO	PAGE	REF NO.	PART NO	PAGE	REF NO.
B4303210000	2	7	PX950009000	8	7
B4306220000	2	15	RE0400000K0	2	9
B4314210000	2	8	SD0460703TP	2	18
B47122150A0	8	2	SK3413200SC	6	5
B47152150A0	6	7	SK3413200SC	8	12
B4717223C00	6	1	SL4042081SC	6	4
B4717223C00	8	8	SL4042081SC	8	11
B8211206000	6	18	SL4051091SC	6	6
BT0400251EB	2	16	SL4051091SC	8	13
BT0600401EB	6	2	SL9082093SE	6	21
BT0600401EB	8	9	SS1090750SP	2	13
D255121XX00	4	3	SS5090610SP	4	6
D255221XX00	4	4	SS6081210SP	2	10
D255421XX00	4	5	SS6120940SP	2	12
EA9500B0100	6	24	SS7060610SP	2	11
EA9500B0100	8	14	SS7110840SP	4	7
G5430116000	6	10	WP0250516SD	2	14
G8124270000	6	8	WP0371026SD	4	8
GFU01001000	2	2	WP0480856SP	4	9
GFU01002000	2	3	WP0502616SD	2	20
GFU01003000	2	4	WP0871602SE	6	22
GFU010030A0	2	1			
GFU01004000	4	2			
GFU010040A0	4	1			
GFU01006000	2	6			
GFU01007000	2	19			
GFU01008000	8	1			
GFU010090A0	8	3			
HK034610040	6	14			
HK034640000	6	17			
M90145800A0	6	20			
M90155800A0	6	19			
NM6080721SE	6	23			
PA1600801A0	2	5			
PF025208000	8	4			
PF0552040B0	6	11			
PJ030520001	6	12			
PJ032052503	6	3			
PJ032052503	8	10			
PJ046052503	2	17			
PJ304045203	8	5			
PJ305065202	6	13			
PJ305065202	8	6			
PJ309005203	6	9			
PX950009000	6	16			