

MODEL : MF-7605-K02

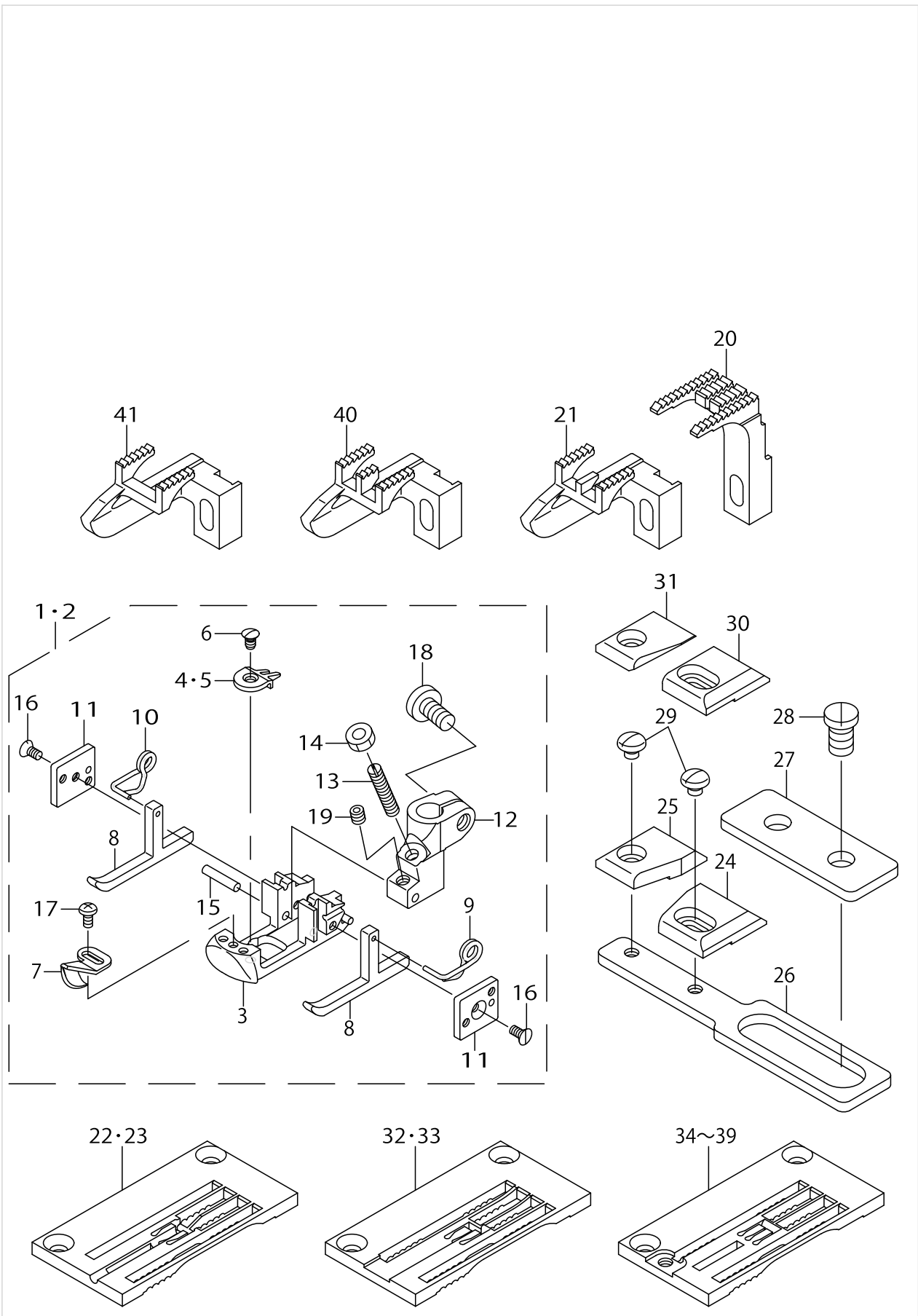
List No : 1204-00

PARTS LIST

Published:05/12/2017

CONTENTS

MF-7000 SERIES (MF-7600-K02).....	1
HOW TO MAKE USE OF THIS PARTS LIST	3



MF-7000 SERIES (MF-7600-K02)

No.	Supply Code	Parts No.	Replacement	Parts name	Remarks	Choice	Step	Level	Cons	Qty	Rep. QTY
1	D	US0050320BU		PRESSER FOOT ASM.	FOR 4.8MM					1	
2		US0050320BV		PRESSER FOOT ASM.	FOR 5.6MM					1	
3		US0050330ET		PRESSER FOOT				*		1	
4		US050397A48		STITCH TONGUE	FOR 4.8MM			*		1	
5		30150106		STITCH TONGUE	FOR 5.6MM			*		1	
6	D	30098008		SCREW				*		1	
7		US0050330EJ		CLOTH GUIDE	ACCESSO- RIES PART			*		1	
8		US0050330EK		YIELDING SECTION				*		2	
9	D	US0050330EL		SPRING,RIGHT				*		1	
10	D	US0050330EM		SPRING,LEFT				*		1	
11		US0050330EN		PRESSER FOOT GUIDE PLATE				*		2	
12		US0050330EP		PRESSER FOOT HINGE				*		1	
13		US0018C1475		SCREW				*		1	
14		NM6030250SC		NUT M3X0.5				*		1	
15		PH0200102C0		PARALLEL PIN				*		1	
16		SM1020450TP		SCREW M2 L=4				*		2	
17		SM4020401SC		SCREW M2 L=4	ACCESSO- RIES PART			*		1	
18		SM7040800SL		SCREW				*		1	
19		SM8030382TP		SCREW M3X0.5 L=3				*		1	
20		US0050305BT		MAIN FEED DOG						1	
21	D	US0050326BM		FEED DOG						1	
22		US050324D48		THROAT PLATE FOR COVERING	FOR 4.8MM					1	
23		US050324D56		THROAT PLATE FOR COVERING	FOR 5.6MM					1	
24		US0050337AG		GUIDE,RIGHT(FLATTENING OUT)						1	
25		US0050337AH		GUIDE,LEFT(FLATTENING OUT)						1	
26	D	US0050383AA		GUIDE BRACKET						1	
27	D	US0050337AF		GUIDE PLATE						1	
28		30220107		SCREW						2	
29		SS4080310SP		SCREW 1/8-44 L=3.4						2	
30	D	30159206		GUIDE,RIGHT(FOLDING OVER)	OPTION					1	
31	D	30159305		GUIDE,LEFT(FOLDING OVER)	OPTION					1	
32		US50324DA48		THROAT PLATE FOR COVERING	OPTION (FOR D48)					1	
33		US50324DA56		THROAT PLATE FOR COVERING	OPTION (FOR D56)					1	
34	D	US050324A48		THROAT PLATE FOR HEMMING	OPTION (FOR A48)					1	
35	D	US050324B48		THROAT PLATE (FOR HEMMING)	OPTION (FOR B48)					1	
36	D	US050324C48		THROAT PLATE FOR HEMMING	OPTION (FOR C56)					1	
37		US050324A56		THROAT PLATE FOR HEMMING	OPTION (FOR A56)					1	
38	D	US050324B56		THROAT PLATE FOR HEMMING	OPTION (FOR B56)					1	
39	D	US050324C56		THROAT PLATE FOR HEMMING	OPTION (FOR C56)					1	
40	D	30159404		DIFFERENTIAL FEED DOG	FOR HEMMING					1	
41	D	30160006		DIFFERENTIAL FEED DOG	FOR FOLD- ING OVER OVER-LOCK SEAM					1	

HOW TO MAKE USE OF THIS PARTS LIST

1.As to "#01" and "#02" refer to the "Note" given at the bottom of the respective pages.

2.Codes on the "Qty" column

- Each numeral indicates the number of parts required.
- "0.1" and "2.5" indicate the length (in meters) of the respective parts.

3.Parentheses mean that the corresponding part is a subpart that constructs an assembly part.

4.Dotted lines on the Figures indicate assembly parts.

1. リストページの#01、#02の印は、ページ下の"注記"の説明を参照下さい。
2. 数量欄の数字は、個数を表し、0.1、2.5等の数値は、長さ（単位メートル）を表します。
3. 数量欄の（ ）は、組部品を構成している子部品であることを意味します。
4. イラストページの-----枠は、組構成であることを意味します。

ALL PARTS NOT MENTIONED IN THIS PARTS LIST ARE SAME AS THOSE OF
MODEL MF-7600-L01. OTHER PARTS LIST RELATED TO THIS MODEL.
*MF-7000 SERIES(MF-7600-L01)(NO.1135 PART NO.29199304)

このパーツリスト記載以外の部品はMF-7600-L01と共通です。
この機種に関連するパーツリストとして下記のパーツリストがあります。
*MF-7000シリーズ (MF-7600-L01)
(NO. 1135 品番29199304)

NUMERICAL INDEX OF PARTS

PART NO	PAGE	REF NO.
30098008	2	6
30150106	2	4·5
30159206	2	30
30159305	2	31
30159404	2	40
30160006	2	41
30220107	2	28
NM6030250SC	2	14
PH0200102C0	2	15
SM1020450TP	2	16
SM4020401SC	2	17
SM7040800SL	2	18
SM8030382TP	2	19
SS4080310SP	2	29
US0018C1475	2	13
US0050305BT	2	20
US0050320BU	2	1·2
US0050320BV	2	1·2
US0050326BM	2	21
US0050330EJ	2	7
US0050330EK	2	8
US0050330EL	2	9
US0050330EM	2	10
US0050330EN	2	11
US0050330EP	2	12
US0050330ET	2	3
US0050337AF	2	27
US0050337AG	2	24
US0050337AH	2	25
US0050383AA	2	26
US050324A48	2	34~39
US050324A56	2	34~39
US050324B48	2	34~39
US050324B56	2	34~39
US050324C48	2	34~39
US050324C56	2	34~39
US050324D48	2	22·23
US050324D56	2	22·23
US050397A48	2	4·5
US50324DA48	2	32·33
US50324DA56	2	32·33