

MODEL : SC-800

List No : 1211-02

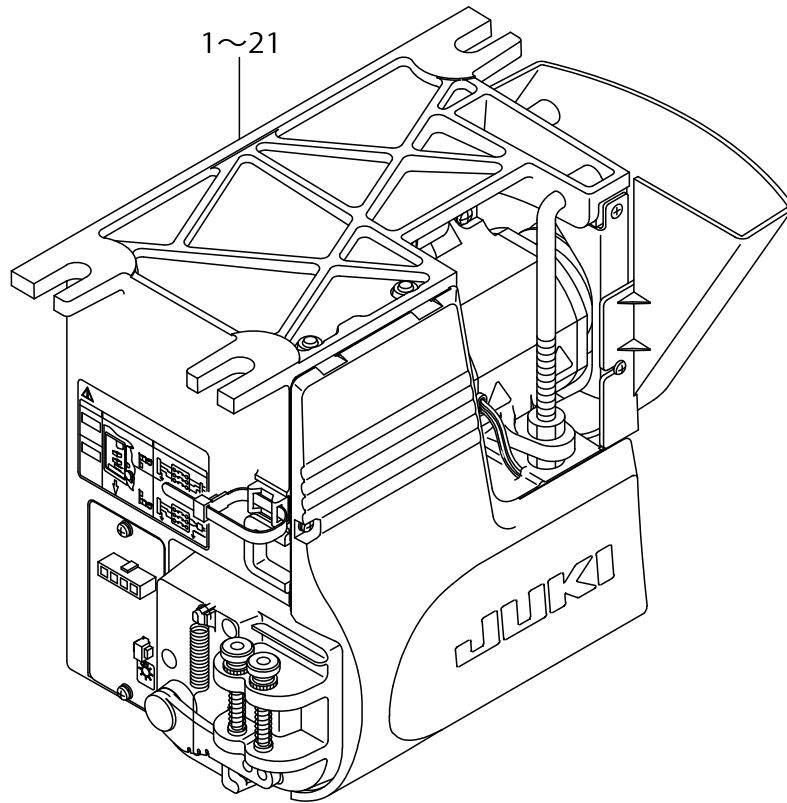
PARTS LIST

Published:05/12/2017

CONTENTS

STANDARD MOTOR COMBINATION LIST.....	1
PSC UNIT COMPONENTS (1)	3
PSC UNIT COMPONENTS (2)	7
ACCESSORIE PART COMPONENTS	11
OPTIONAL PART COMPONENTS.....	13
HOW TO MAKE USE OF THIS PARTS LIST	15

STANDARD MOTOR COMBINATION LIST



REF. NO.	PART NO.	BOX TYPE	EXPORT		JUS		CE	*OPTION		
			3Ø 200~240V	1Ø 200~240V	3Ø 200~240V	1Ø 100~120V	1Ø 220~240V	B	A	S
1	M2012461BA0	BB	○							○
2	M2112461BA0	BE	○						○	
3	M2212461BA0	BH	○					○		
4	M2012461GA0	GB	○							○
5	M2112461GA0	GE	○						○	
6	M2212461GA0	GH	○					○		
7	M2012461CA0	CB		○						○
8	M2112461CA0	CE		○					○	
9	M2212461CA0	CH		○				○		
10	M2012461HA0	HB		○						○
11	M2112461HA0	HE		○					○	
12	M2212461HA0	HH		○				○		
13	M2012461EA0	EB			○					○
14	M2112461EA0	EE			○				○	
15	M2212461EA0	EH			○			○		
16	M2012461FA0	FB				○				○
17	M2112461FA0	FE				○			○	
18	M2212461FA0	FH				○		○		
19	M2012461DA0	DB					○			○
20	M2112461DA0	DE					○		○	
21	M2212461DA0	DH					○	○		

*OPTION B: BIRD'S NEST PREVENTION, BOBBIN THREAD CLAMPLESS
 *OPTION A: STANDING WORK MACHINE, ED-2, BOBBIN THREAD REMAINING AMOUNT DETECTION
 *OPTION S: NOT PROVIDED.
 *BOX TYPE IS DESCRIBED AFTER MODEL NAME IN RATING PLATE.

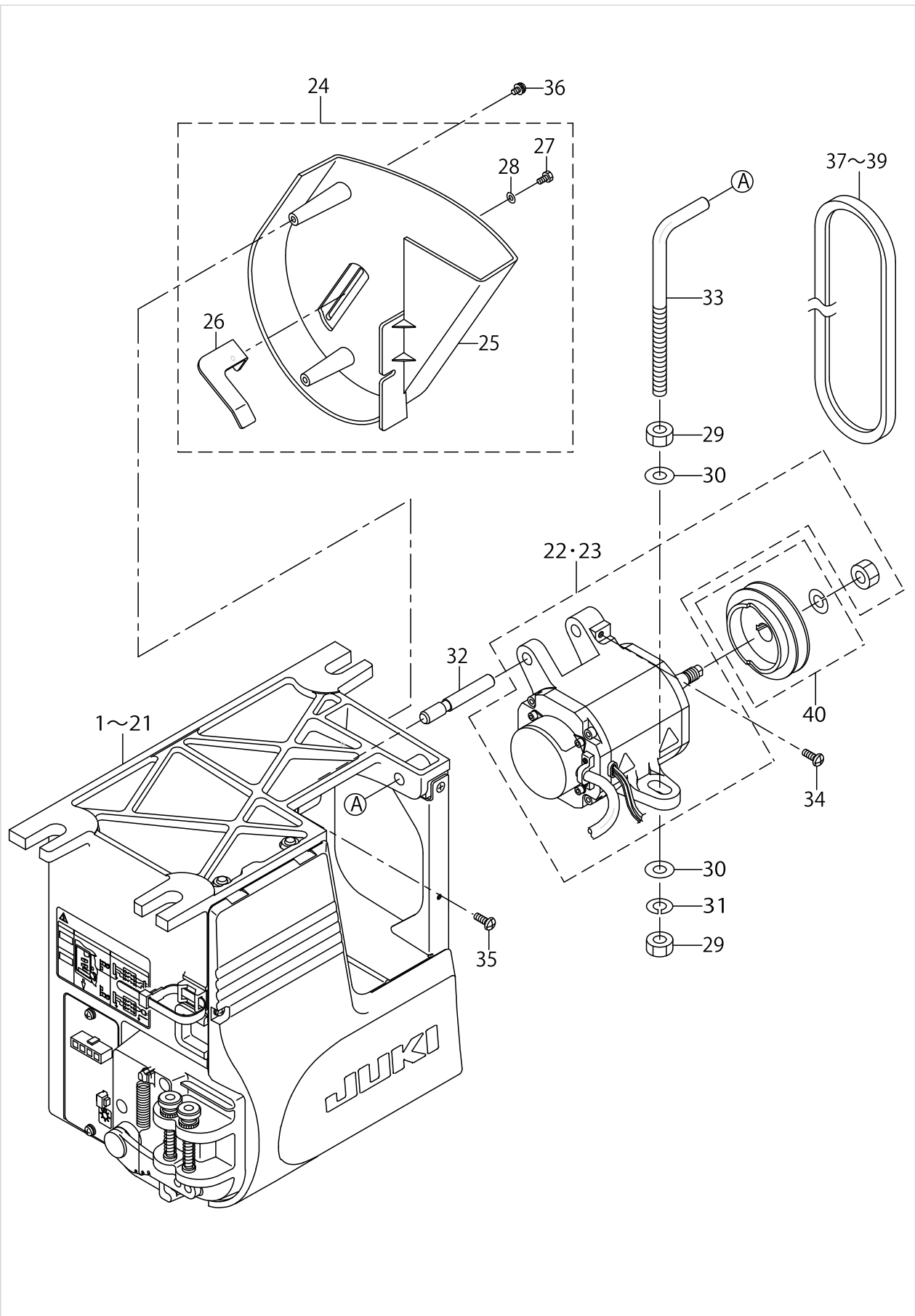
STANDARD MOTOR COMBINATION LIST

No.	Supply Code	Parts No.	Replacement	Parts name	Remarks	Choice	Step	Level	Cons	Qty	Rep. QTY
1	D	M2012461BA0		PSC UNIT EXPORT PFL200-240V						1	
2		M2112461BA0		PSC UNIT EXPORT PFL200-240V						1	
3		M2212461BA0		PSC UNIT EXPORT PFL200-240V						1	
4	D	M2012461GA0		PSC UNIT EXPORT PFL200-240V						1	
5		M2112461GA0		PSC UNIT EXPORT PFL200-240V						1	
6		M2212461GA0		PSC UNIT EXPORT PFL200-240V						1	
7	D	M2012461CA0		PSC UNIT EXPORT PFL200-240V						1	
8		M2112461CA0		PSC UNIT EXPORT PFL200-240V						1	
9		M2212461CA0		PSC UNIT EXPORT PFL200-240V						1	
10		M2012461HA0		PSC UNIT EXPORT PFL200-240V						1	
11		M2112461HA0		PSC UNIT EXPORT PFL200-240V						1	
12		M2212461HA0		PSC UNIT EXPORT PFL200-240V						1	
13	D	M2012461EA0		PSC UNIT JUS PFL 200-240V						1	
14		M2112461EA0		PSC UNIT JUS PFL 200-240V						1	
15		M2212461EA0		PSC UNIT JUS PFL 200-240V						1	
16		M2012461FA0		PSC UNIT JUS PFL 100-120V						1	
17		M2112461FA0		PSC UNIT JUS PFL 100-120V						1	
18		M2212461FA0		PSC UNIT JUS PFL 100-120V						1	
19	D	M2012461DA0		PSC UNIT CE PFL 220-240V						1	
20		M2112461DA0		PSC UNIT CE PFL 220-240V						1	
21		M2212461DA0		PSC UNIT CE PFL 220-240V						1	

PSC UNIT COMPONENTS (1)

No.	Supply Code	Parts No.	Replacement	Parts name	Remarks	Choice	Step	Level	Cons	Qty	Rep. QTY
1		M2002461BA0		PSC UNIT EXPORT PFL 200-240V	FOR M201-2-461-BA0					1	
2		M2102461BA0		PSC UNIT EXPORT PFL 200-240V	FOR M211-2-461-BA0					1	
3		M2202461BA0		PSC UNIT EXPORT PFL 200-240V	FOR M221-2-461-BA0					1	
4		M2002461GA0		PSC UNIT EXPORT PFL 200-240V	FOR M201-2-461-GA0					1	
5		M2102461GA0		PSC UNIT EXPORT PFL 200-240V	FOR M211-2-461-GA0					1	
6		M2202461GA0		PSC UNIT EXPORT PFL 200-240V	FOR M221-2-461-GA0					1	
7	D	M2002461CA0		PSC UNIT EXPORT PFL 200-240V	FOR M201-2-461-CA0					1	
8		M2102461CA0		PSC UNIT EXPORT PFL 200-240V	FOR M211-2-461-CA0					1	
9		M2202461CA0		PSC UNIT EXPORT PFL 200-240V	FOR M221-2-461-CA0					1	
10	D	M2002461HA0		PSC UNIT EXPORT PFL 200-240V	FOR M201-2-461-HA0					1	
11		M2102461HA0		PSC UNIT EXPORT PFL 200-240V	FOR M211-2-461-HA0					1	
12		M2202461HA0		PSC UNIT EXPORT PFL 200-240V	FOR M221-2-461-HA0					1	
13	D	M2002461EA0		PSC UNIT JUS PFL 200-240V	FOR M201-2-461-EA0					1	
14		M2102461EA0		PSC UNIT JUS PFL 200-240V	FOR M211-2-461-EA0					1	
15		M2202461EA0		PSC UNIT JUS PFL 200-240V	FOR M221-2-461-EA0					1	
16		M2002461FA0		PSC UNIT JUS PFL 100-120V	FOR M201-2-461-FA0					1	
17		M2102461FA0		PSC UNIT JUS PFL 100-120V	FOR M211-2-461-FA0					1	
18		M2202461FA0		PSC UNIT JUS PFL 100-120V	FOR M221-2-461-FA0					1	
19		M2002461DA0		PSC UNIT CEPFL 230V	FOR M201-2-461-DA0					1	
20	D	M2102461DA0		PSC UNIT CEPFL 230V	FOR M211-2-461-DA0					1	
21	D	M2202461DA0		PSC UNIT CEPFL 230V	FOR M221-2-461-DA0					1	
22	D	M6001461CA0		MOTOR ASM.,C	FOR GENERAL EXPORT					1	
23	D	M6001461DA0		MOTOR ASM.,D	FOR CE,JUS					1	
24	D	M3601461AA0		PULLEY COVER A ASM.						1	
25	R	M3601461000	M3601461AA0	PULLEY COVER				*		1	1.00
26	D	M3602461000		BELT STOPPER				*		1	
27		SM9040803SF		SCREW M4X8				*		1	
28		WP0430801SE		WASHER 4.3X9X0.8				*		1	
29		NM6100011SF		NUT M10						2	
30	R	WP1052001SE	WP1052001SC	WASHER 10.5X21X2						2	1.00
31		WS1020002KR		SPRINGWASHER,M10						1	
32		M4201461000		MOTOR SUPPORT SHAFT						1	
33		M4202461000		MOTOR SUPPORT BOLT						1	
34		SM4051405SE		SCREW M5 L=14						1	
35		SM4051405SE		SCREW M5 L=14						1	
36		SL4040891SC		SCREW M4 L=8						3	
37		MTJVH00380A		V-BELT, 38 INCH						1	
38		MTJVH00390A		V-BELT, 39 INCH						1	

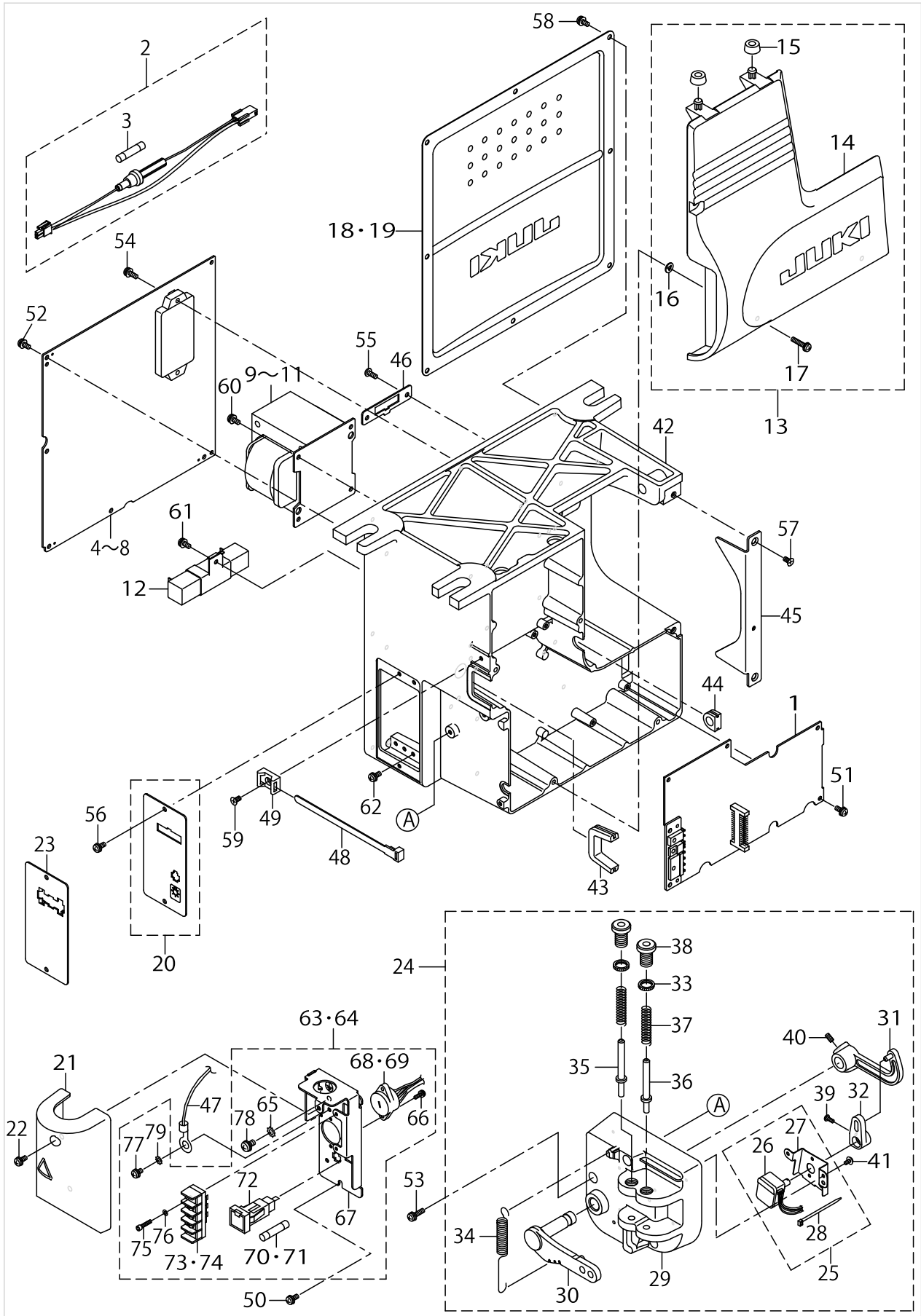
PSC UNIT COMPONENTS (1)



PSC UNIT COMPONENTS (1)

No.	Supply Code	Parts No.	Replacement	Parts name	Remarks	Choice	Step	Level	Cons	Qty	Rep. QTY
39		MTJVH00400A		V-BELT, 40 INCH						1	
40	R	MTSP0070AA0	MTSP00700B0	MOTOR PULLEY ASM. P.C.D. 70						1	1.00

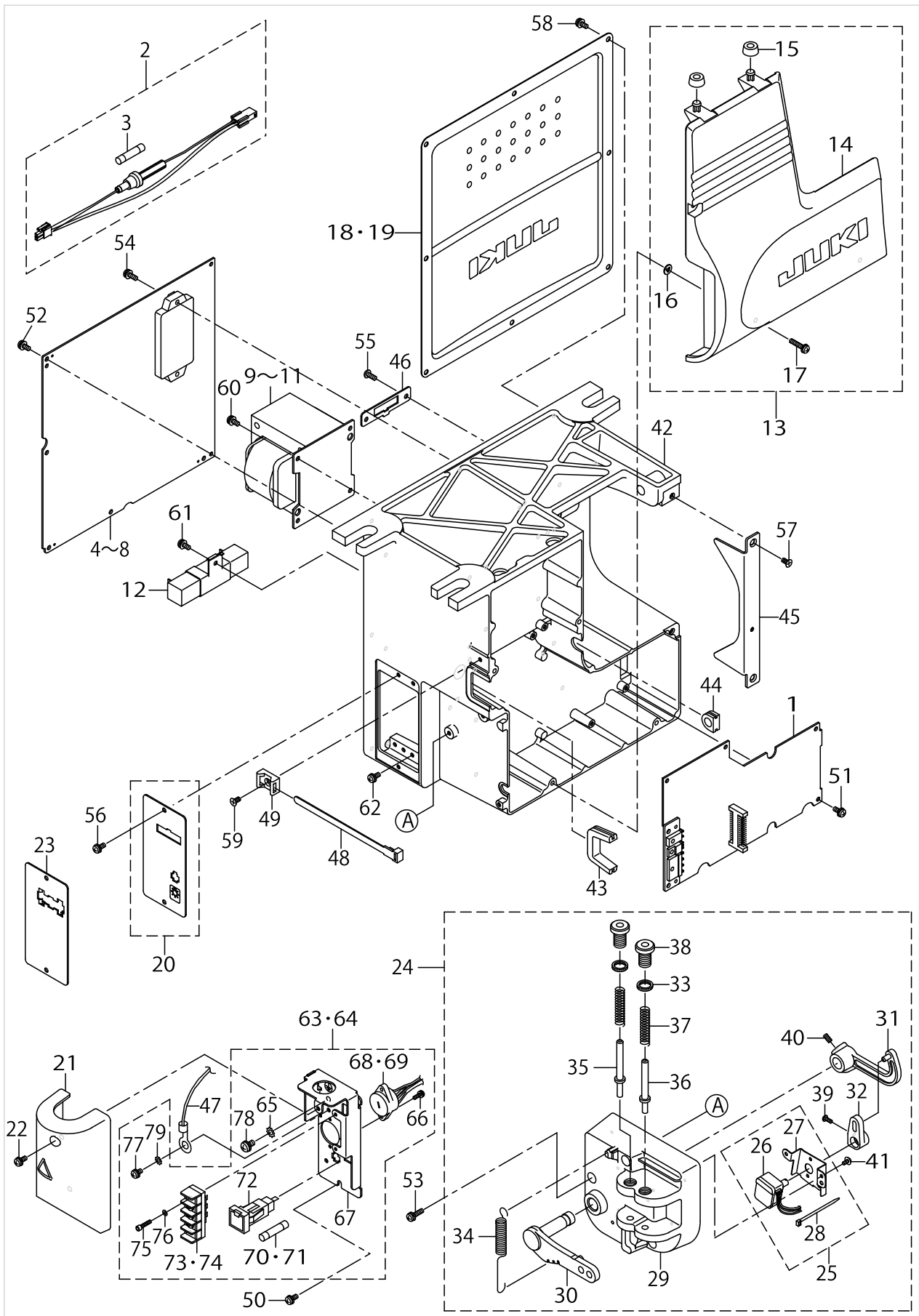
PSC UNIT COMPONENTS (2)



PSC UNIT COMPONENTS (2)

No.	Supply Code	Parts No.	Replacement	Parts name	Remarks	Choice	Step	Level	Cons	Qty	Rep. QTY
1		M8601471CAA		CTL CIRCUIT BOARD CA ASM.						1	
2	D	M8511461AA0		LAMP FUSE A ASM.	FOR JUS					1	
3		HF001400500		TIME LAG FUSE 5A	FOR JUS			*		1	
4	D	M8604461AA0		PWR-U CIRCUIT BOARD A ASM.	FOR 3-PH-ASE 200~240V					1	
5	D	M8603461AA0		PWR-E CIRCUIT BOARD A ASM.	FOR 1-PH-ASE 200~240V					1	
6		M8605461AA0		PWR-C CIRCUIT BOARD A ASM.	FOR CE					1	
7	R	M8607461AA0	M8603461BA0	PWR-S CIRCUIT BOARD A ASM.	FOR JUS 1-00~120V					1	1.00
8	D	M8604461BA0		PWR-U CIRCUIT BOARD B ASM.	FOR JUS 2-00~240V					1	
9	R	M8501461BA0	M8501471BA0	POWER TRANSFORMER B ASM.	FOR 200V(-EXCEPT CE)					1	1.00
10	R	M8501461CA0	M8501471CA0	POWER TRANSFORMER C ASM.	FOR JUS 1-00~120V					1	1.00
11	R	M8501461DA0	M8501471DA0	POWER TRANSFORMER D ASM.	FOR CE					1	1.00
12		M8502461AA0		RESISTOR A ASM.						1	
13	D	M3201461AA0		BOX FRONT COVER A ASM.						1	
14		M3201461000		FRONT COVER				*		1	
15		M3202461000		BOX FRONT COVER SUPPORT RUBBER				*		2	
16		M8002430000		STOPPER				*		3	
17		SL4042091SC		SCREW M4X0.7 L=20				*		3	
18	D	M3401461000		BOX REAR PANEL						1	
19		M3401461BA0		BOX REAR COVER B ASM.	FOR CE,JUS					1	
20		M3802461AA0		CONNECTOR FIXED PLATE A ASM.	FOR GENERAL EXPORT					1	
21	D	M3806461AA0		TERMINAL BASE COVER A ASM.	FOR JUS					1	
22		SL4041081SC		SCREW M4 L=10	FOR JUS					2	
23		M3804461000		CONNECTOR FIXED PLATE(CE)	FOR CE					1	
24	D	M4001461BA0		PEDAL SENSOR B ASM.						1	
25	D	M4006461AA0		SENSOR FIXED PLATE A ASM.				*		1	
26	R	M8508461AA0	M4006461AA0	SENSOR A ASM.				*		1	1.00
27		M4006461000		SENSOR INSTALLING PLATE				*		1	
28		EA9500B0100		CABLE BAND				*		1	
29		M4001461000		PEDAL SENSOR BASE				*		1	
30		M4002461000		PEDAL LEVER				*		1	
31	R	M4004461000	40006204	PEDAL RING				*		1	1.00
32		M4005461000		VOLUME LINK				*		1	
33		M2010110000		ADJUST NUT				*		2	
34		M4007351000		FRONT SPRING				*		1	
35		M4008351000A		SPRING SHAFT A				*		1	
36		M4009351000A		SPRING SHAFT B				*		1	
37		M4011351000		SPRING B				*		2	
38		M4012351000		ADJUST SCREW				*		2	
39		SM4030801SF		SCREW M3X0.5 L=8				*		1	
40		SM8040802TP		SCREW M4X8				*		2	
41		SV4030601SR		SCREW M3 L=6				*		2	
42	D	M3001461000		ELECTRICAL BOX						1	
43		M3002461000		RUBBER BUSH A						1	

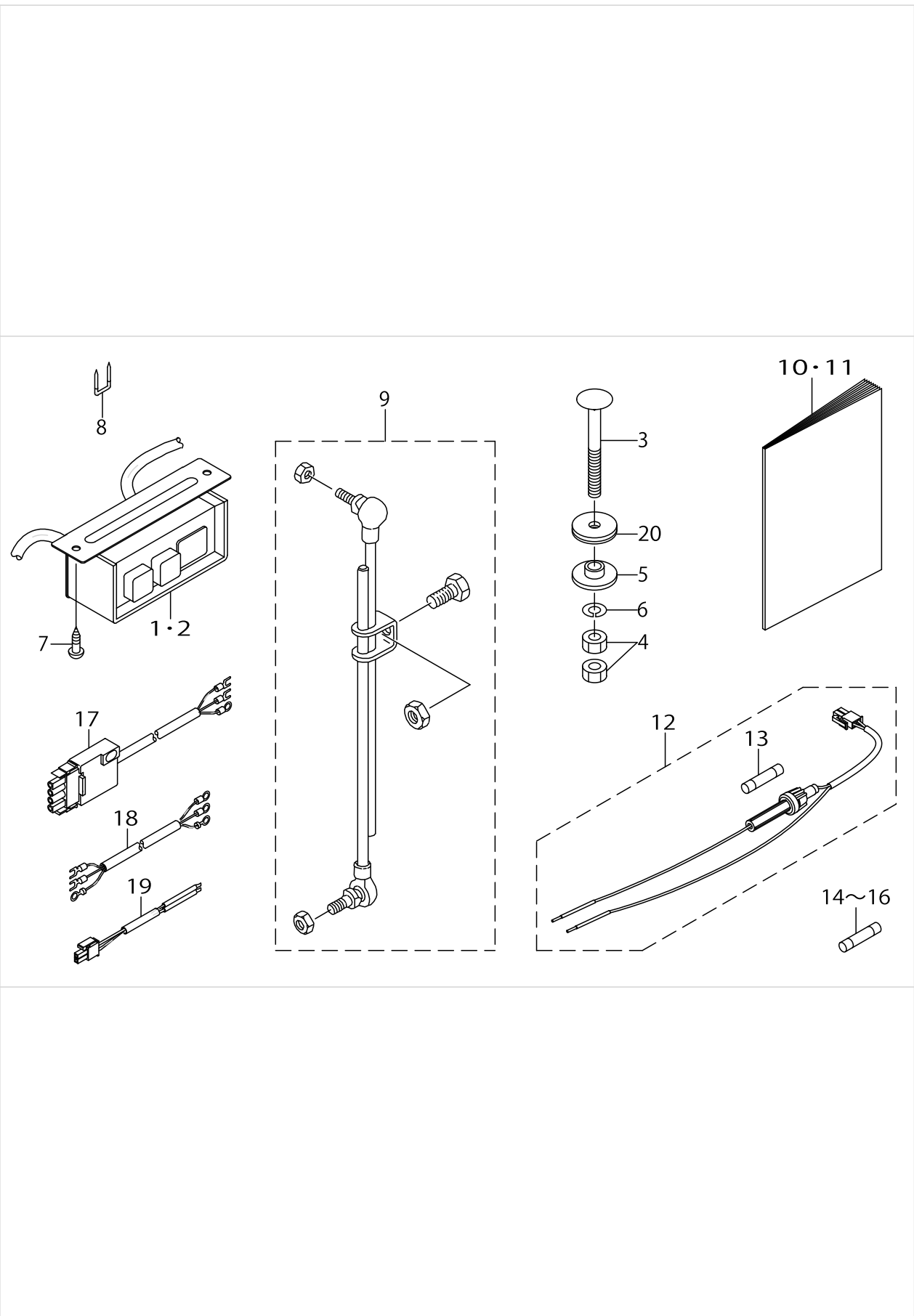
PSC UNIT COMPONENTS (2)



PSC UNIT COMPONENTS (2)

No.	Supply Code	Parts No.	Replacement	Parts name	Remarks	Choice	Step	Level	Cons	Qty	Rep. QTY
44	D	M1014110000		CORD BUSH B						1	
45	D	M3801461000		PULLEY COVER INS-TALLING PLATE						1	
46		M3803461000		MOTOR CONNECTOR FIXED PLATE						1	
47	D	M8503461DA0		FG CORD D ASM.	FOR JUS					1	
48		HX00292000A		CONNECTING PART						1	
49		HX004540000		TIE MOUNT						1	
50		SL4041081SF		SCREW M4 L=10	FOR JUS					2	
51		SL4041081SF		SCREW M4 L=10						6	
52		SL4041081SF		SCREW M4 L=10						5	
53		SL4041681SF		SCREW M4 L=16						3	
54		SL4041281SF		SCREW M4 L=12						2	
55		SL4041081SF		SCREW M4 L=10						2	
56		SL4041081SC		SCREW M4 L=10						2	
57		SM1040801SC		SCREW M4X0.7 L=8						2	
58		SL4041081SC		SCREW M4 L=10						8	
59		SM1040801SC		SCREW M4X0.7 L=8						1	
60		SL4041081SF		SCREW M4 L=10						4	
61		SL4041081SF		SCREW M4 L=10						1	
62		SL4041091SE		SCREW M4 L=10						4	
63		M3805461BA0		TERMINAL BASE B ASM.	FOR JUS 1-00~120V					1	
64	D	M3805461AA0		TERMINAL BASE A ASM.	FOR JUS 2-00~240V					1	
65	D	WT0530001KN		TOOTHED LOCK WASHER	FOR JUS			*		1	
66		SL4031081SF		SCREW M3 L=10	FOR JUS			*		2	
67		M3805461000		TERMINAL BASE	FOR JUS			*		1	
68		M8510461BA0		VOLTAGE SELECTOR B ASM.	FOR JUS 1-00~120V			*		1	
69	D	M8510461AA0		VOLTAGE SELECTOR A ASM.	FOR JUS 2-00~240V			*		1	
70		HF0079040P0		FUSE 4A	FOR JUS 1-00~120V			*		1	
71		HF0079020P0		FUSE 2A	FOR JUS 2-00~240V			*		1	
72	D	HF009511000		FUSE HOLDER	FOR JUS			*		1	
73		HK04905003B		TERMINAL BASE	FOR JUS 2-00~240V			*		1	
74		HK04905002A		TERMINAL BASE 2P	FOR JUS 1-00~120V			*		1	
75		SM6031402TP		SCREW	FOR JUS			*		2	
76		WS0310002KP		SPRING WASHER	FOR JUS			*		2	
77		SL4040885SH		SCREW M4 L=8	FOR JUS			*		1	
78		SL4051085SH		SCREW M5X10	FOR JUS			*		1	
79		WT0430001KN		TOOTHED WASHER	FOR JUS			*		1	

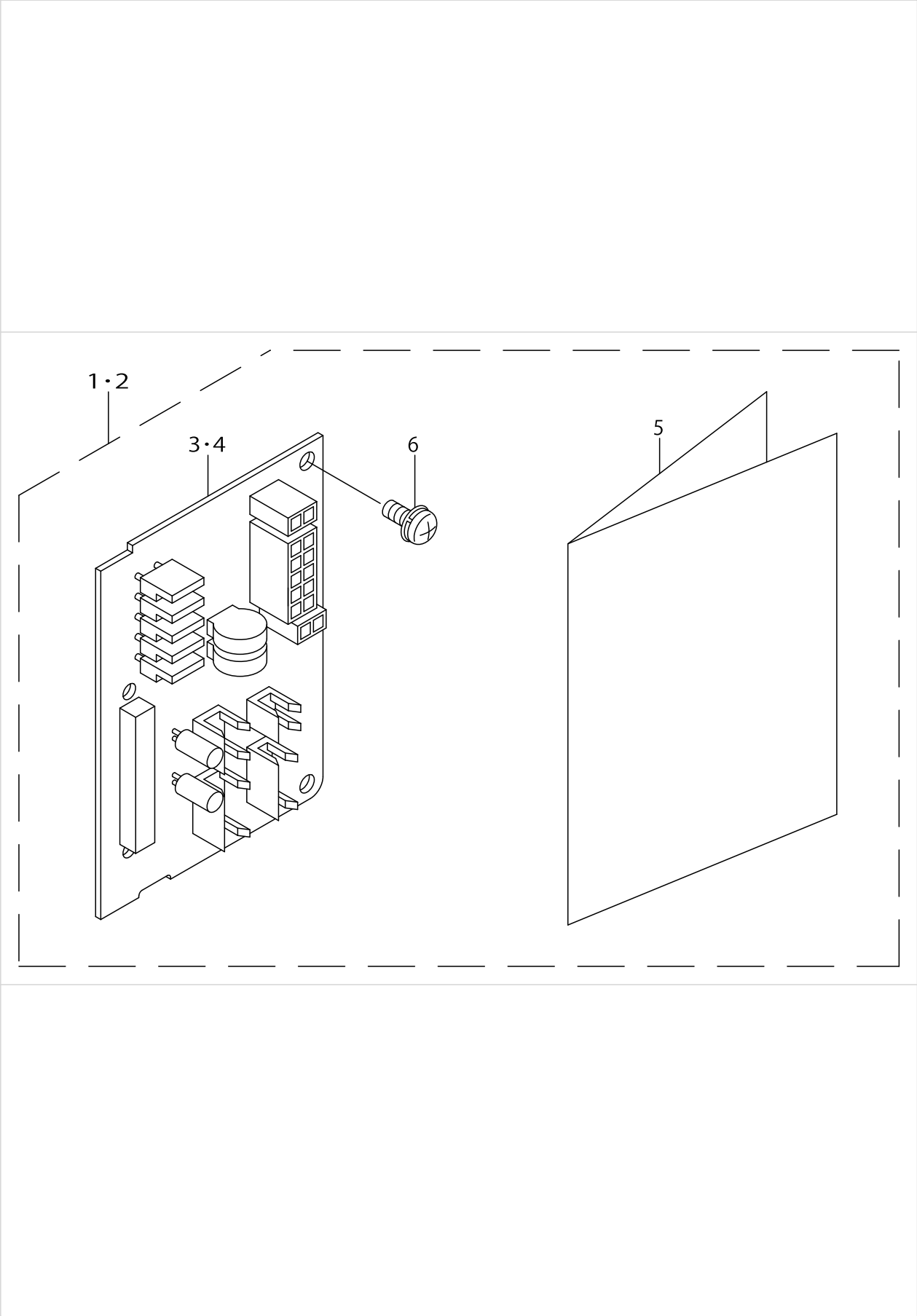
ACCESSORIE PART COMPONENTS



ACCESSORIE PART COMPONENTS

No.	Supply Code	Parts No.	Replacement	Parts name	Remarks	Choice	Step	Level	Cons	Qty	Rep. QTY
1		M6101461AA0		POWER SWITCH A ASM.	FOR 3-PH-ASE 200~240V					1	
2		M6101461CA0		POWER SWITCH C ASM.	FOR 1-PH-ASE 200~240V					1	
3	D	D8211555D00		BOLT						3	
4		NM6080002SC		NUT M8						6	
5	D	M4205461000		WASHER						3	
6		WS0820002KR		SPRING WASHER, M8						3	
7		SK3512001SF		WOOD SCREW						2	
8		MA011532000		CORD STAPLE						5	
9	R	D7114555BAB	22958458	CONNECTING ROD ASM. (B)						1	1.00
10		29298205		SC-800 INSTRUCTION MANUAL						1	
11	D	29298304		SC-800 INSTRUCTION MANUAL						1	
12	D	M8525351AA0		LAMP FUSE HOLDER ASM., A						1	
13		M9644110000		FUSE 8A				*		1	
14		HF0079020P0		FUSE 2A	FOR 200~240V					1	
15		HF0079040P0		FUSE 4A	FOR JUS 1-00~120V					1	
16		HF0078020P0		FUSE 2A	FOR CE					1	
17		M6105461DAA		PSC UNIT CABLE ASM.(CE)	FOR CE					1	
18		M6102461DAA		AC INPUT CABLE ASM.(CE)	FOR CE					1	
19		M8526351AA0		LAMP CORD ASM., A	FOR JUS					1	
20		M4206461000								3	

OPTIONAL PART COMPONENTS



OPTIONAL PART COMPONENTS

No.	Supply Code	Parts No.	Replacement	Parts name	Remarks	Choice	Step	Level	Cons	Qty	Rep. QTY
1	D	M97014610A0		SC-800 OPTION UNIT A	OPTION UNIT A					1	
2		M97024610A0		SC-800 OPTION UNIT B	OPTION UNIT B					1	
3	D	M8606461AA0		OP CIRCUIT BOARD ASM. A	OPTION UNIT A			*		1	
4	D	M8606461BA0		OP CIRCUIT BOARD ASM.,B	OPTION UNIT B			*		1	
5		29298403		INSTRUCTION MANUAL				*		1	
6		SL4041081SF		SCREW M4 L=10				*		2	

HOW TO MAKE USE OF THIS PARTS LIST

1.As to "#01" and "#02" refer to the "Note" given at the bottom of the respective pages.

2.Codes on the "Qty" column

- Each numeral indicates the number of parts required.
- "0.1" and "2.5" indicate the length (in meters) of the respective parts.

3.Parentheses mean that the corresponding part is a subpart that constructs an assembly part.

4.Dotted lines on the Figures indicate assembly parts.

1. リストページの# 0 1、# 0 2の印は、ページ下の"注記"の説明を参照下さい。
2. 数量欄の数字は、個数を表し、0. 1、2. 5等の数値は、長さ（単位メートル）を表します。
3. 数量欄の（ ）は、組部品を構成している子部品であることを意味します。
4. イラストページの-----枠は、組構成であることを意味します。

NUMERICAL INDEX OF PARTS

PART NO	PAGE	REF NO.	PART NO	PAGE	REF NO.	PART NO	PAGE	REF NO.
29298205	12	10·11	M2112461GA0	2	1~21	M4012351000	8	38
29298304	12	10·11	M2112461HA0	2	1~21	M4201461000	4	32
29298403	14	5	M2202461BA0	4	1~21	M4202461000	4	33
D7114555BAB	12	9	M2202461CA0	4	1~21	M4205461000	12	5
D8211555D00	12	3	M2202461DA0	4	1~21	M4206461000	12	20
EA9500B0100	8	28	M2202461EA0	4	1~21	M6001461CA0	4	22·23
HF001400500	8	3	M2202461FA0	4	1~21	M6001461DA0	4	22·23
HF0078020P0	12	14~16	M2202461GA0	4	1~21	M6101461AA0	12	1·2
HF0079020P0	10	70·71	M2202461HA0	4	1~21	M6101461CA0	12	1·2
HF0079020P0	12	14~16	M2212461BA0	2	1~21	M6102461DAA	12	18
HF0079040P0	10	70·71	M2212461CA0	2	1~21	M6105461DAA	12	17
HF0079040P0	12	14~16	M2212461DA0	2	1~21	M8002430000	8	16
HF009511000	10	72	M2212461EA0	2	1~21	M8501461BA0	8	9~11
HK04905002A	10	73·74	M2212461FA0	2	1~21	M8501461CA0	8	9~11
HK04905003B	10	73·74	M2212461GA0	2	1~21	M8501461DA0	8	9~11
HX00292000A	10	48	M2212461HA0	2	1~21	M8502461AA0	8	12
HX004540000	10	49	M3001461000	8	42	M8503461DA0	10	47
M1014110000	10	44	M3002461000	8	43	M8508461AA0	8	26
M2002461BA0	4	1~21	M3201461000	8	14	M8510461AA0	10	68·69
M2002461CA0	4	1~21	M3201461AA0	8	13	M8510461BA0	10	68·69
M2002461DA0	4	1~21	M3202461000	8	15	M8511461AA0	8	2
M2002461EA0	4	1~21	M3401461000	8	18·19	M8525351AA0	12	12
M2002461FA0	4	1~21	M3401461BA0	8	18·19	M8526351AA0	12	19
M2002461GA0	4	1~21	M3601461000	4	25	M8601471CAA	8	1
M2002461HA0	4	1~21	M3601461AA0	4	24	M8603461AA0	8	4~8
M2010110000	8	33	M3602461000	4	26	M8604461AA0	8	4~8
M2012461BA0	2	1~21	M3801461000	10	45	M8604461BA0	8	4~8
M2012461CA0	2	1~21	M3802461AA0	8	20	M8605461AA0	8	4~8
M2012461DA0	2	1~21	M3803461000	10	46	M8606461AA0	14	3·4
M2012461EA0	2	1~21	M3804461000	8	23	M8606461BA0	14	3·4
M2012461FA0	2	1~21	M3805461000	10	67	M8607461AA0	8	4~8
M2012461GA0	2	1~21	M3805461AA0	10	63·64	M9644110000	12	13
M2012461HA0	2	1~21	M3805461BA0	10	63·64	M97014610A0	14	1·2
M2102461BA0	4	1~21	M3806461AA0	8	21	M97024610A0	14	1·2
M2102461CA0	4	1~21	M4001461000	8	29	MAO11532000	12	8
M2102461DA0	4	1~21	M4001461BA0	8	24	MTJVH00380A	4	37~39
M2102461EA0	4	1~21	M4002461000	8	30	MTJVH00390A	4	37~39
M2102461FA0	4	1~21	M4004461000	8	31	MTJVH00400A	6	37~39
M2102461GA0	4	1~21	M4005461000	8	32	MTSP0070AA0	6	40
M2102461HA0	4	1~21	M4006461000	8	27	NM6080002SC	12	4
M2112461BA0	2	1~21	M4006461AA0	8	25	NM6100011SF	4	29
M2112461CA0	2	1~21	M4007351000	8	34	SK3512001SF	12	7
M2112461DA0	2	1~21	M4008351000A	8	35	SL4031081SF	10	66
M2112461EA0	2	1~21	M4009351000A	8	36	SL4040885SH	10	77
M2112461FA0	2	1~21	M4011351000	8	37	SL4040891SC	4	36

NUMERICAL INDEX OF PARTS

PART NO	PAGE	REF NO.
SL4041081SC	8	58
SL4041081SC	10	58
SL4041081SF	10	61
SL4041081SF	14	6
SL4041091SE	10	62
SL4041281SF	10	54
SL4041681SF	10	53
SL4042091SC	8	17
SL4051085SH	10	78
SM1040801SC	10	59
SM4030801SF	8	39
SM4051405SE	4	35
SM6031402TP	10	75
SM8040802TP	8	40
SM9040803SF	4	27
SV4030601SR	8	41
WP0430801SE	4	28
WP1052001SE	4	30
WS0310002KP	10	76
WS0820002KR	12	6
WS1020002KR	4	31
WT0430001KN	10	79
WT0530001KN	10	65