

MODEL : DDL-8500

List No : 1199-01

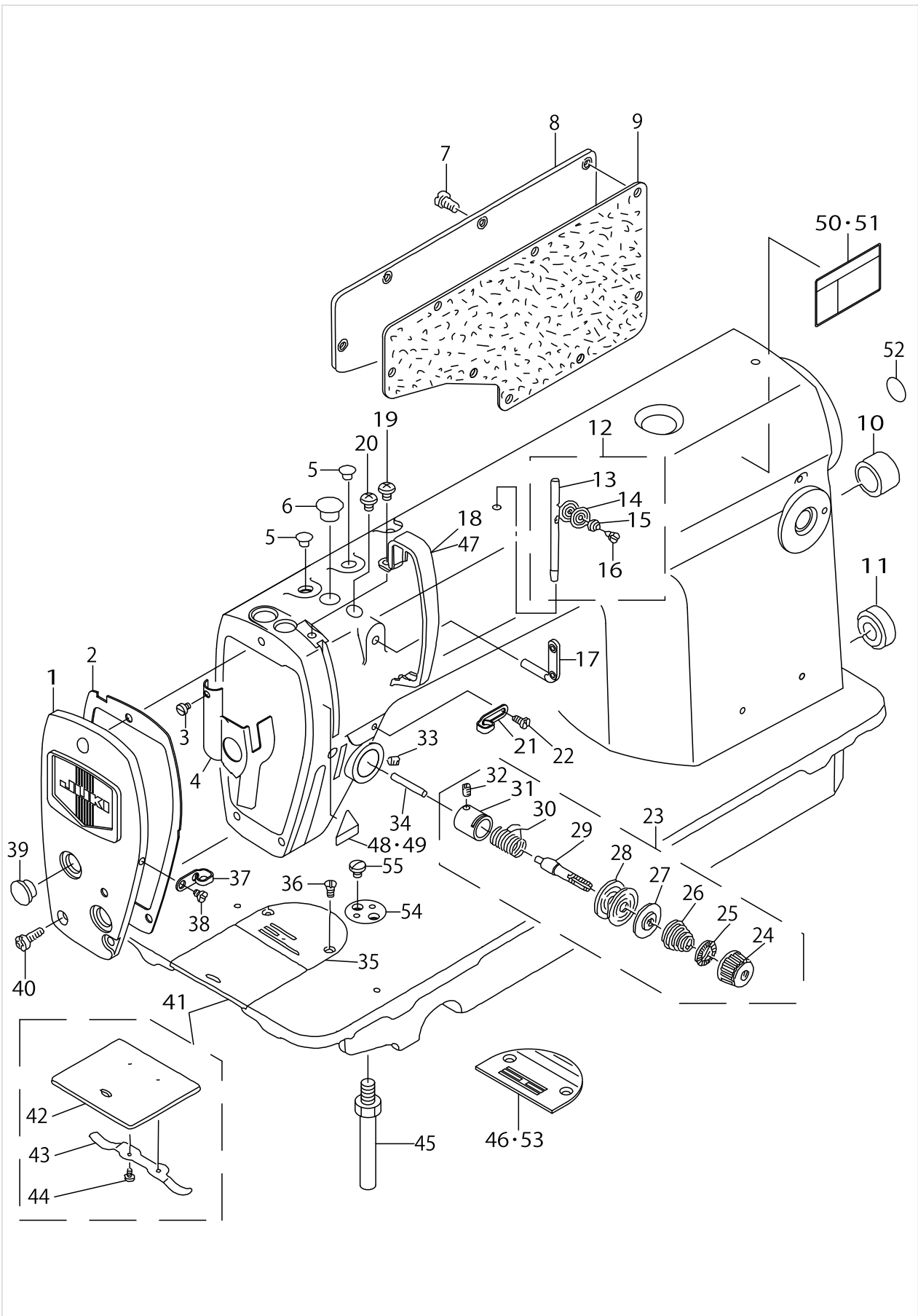
PARTS LIST

Published:05/12/2017

CONTENTS

MACHINE FRAME & MISCELLANEOUS COVER COMPONENTS	1
MAIN SHAFT & THREAD TAKE-UP LEVER COMPONENTS	5
NEEDLE BAR, UPRIGHT SHAFT & HOOK DRIVING SHAFT COMPONENTS	7
HAND LIFTER COMPONENTS	9
FEED MECHANISM COMPONENTS.....	11
OIL LUBRICATION COMPONENTS	15
OIL RESERVOIR COMPONENTS	17
BELT COVER & BOBBIN WINDER COMPONENTS	19
THREAD STAND COMPONENTS.....	21
EXCLUSIVE PARTS FOR DDL-8500H.....	23
EXCLUSIVE PARTS FOR DDL-8500A.....	25
EXCLUSIVE PARTS FOR DDL-8500L	27
LIST FOR INFORMATION OF CHANGE.....	31
HOW TO MAKE USE OF THIS PARTS LIST	32

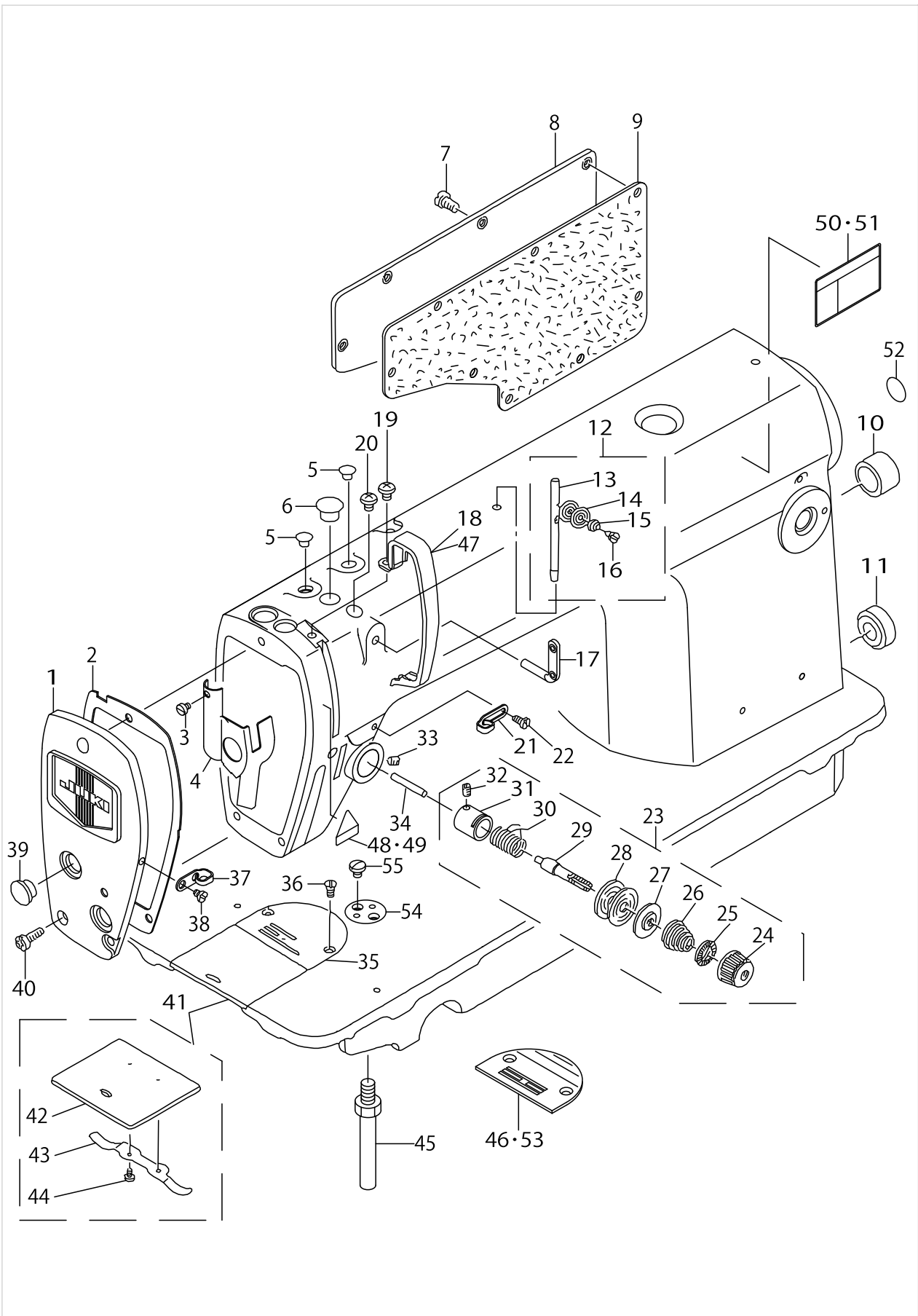
MACHINE FRAME & MISCELLANEOUS COVER COMPONENTS



MACHINE FRAME & MISCELLANEOUS COVER COMPONENTS

No.	Supply Code	Parts No.	Replacement	Parts name	Remarks	Choice	Step	Level	Cons	Qty	Rep. QTY
1		22902159		FACE PLATE ASM.						1	
2	R	22902209	40012126	FACE PLATE GASKET						1	1.00
3		SS6080410SP		SCREW 1/8-44 L=4						1	
4		22900757		ARMOIL SHIFLD ASM.						1	
5		TA0850604R0		RUBBER PLUG						2	
6		TA1250705R0		RUBBER PLUG						1	
7		SS4120915SP		SCREW 3/16-28 L=9						8	
8		22900401		SIDE PLATE						1	
9	R	11000619	40012129	GASKET						1	1.00
10		TA2000502R0		RUBBER PLUG						1	
11		TA2101002R0		RUBBER PLUG						1	
12		22932552		THREAD GUIDE ROD ASM.						1	
13	R	22932503	22932552	THREAD GUIDE ROD				*		1	1.00
14	D	22932602		TENSION DISK				*		2	
15	R	22932701	26021600	TENSION SPRING				*		1	1.00
16		SD0380552SL		HINGE SCREW D=3.8 H=5.5				*		1	
17		22920706		TWO-HOLE THREAD EYELET						1	
18		22900609		THREAD TAKE-UP LEVER COVER						1	
19		SS4120615SP		SCREW 3/16-28 L=6						1	
20		SS4120615SP		SCREW 3/16-28 L=6						1	
21		22920508		ARMTHREADGUIDEA						1	
22	R	11001500	22921001	SCREW						1	1.00
23		22945356		THREAD TENSION ASM.						1	
24		22921308		TENSION NUT				*		1	
25		22921407		ROTATING STOPPER				*		1	
26		22921704		TENSION SPRING A				*		1	
27		22921803		THREAD TENSION DISK PRESSER				*		1	
28		22921506		THREAD TENSION DISK				*		2	
29		22921209		TENSION POST				*		1	
30		22921605		TAKE-UP SPRING				*		1	
31		22945307		TENSION POST SOCKET				*		1	
32		SS8090670SP		SCREW 9/64-40L=5.5				*		1	
33	R	SS8150710SP	SS8150710TP	SCREW 15/64-28 L=7						1	1.00
34	R	B3118552E00	22920904	TENSION RELEASING						1	1.00
35		11028008		THROAT PLATE						1	
36		SS2110920TP		SCREW 11/64-40 L=8.5						2	
37		22920607		ARMTHREADGUIDEB						1	
38		SS6110610TP		SCREW 11/64-40 L=6						1	
39		TA1250406R0		RUBBER PLUG D=12.5 L=4						2	
40		SS4120915SP		SCREW 3/16-28 L=9						3	
41		22901250		BED SLIDE ASM.						1	
42	R	22901201	22901250	SLIDE PLATE				*		1	1.00
43		22901300		BED SLIDE SPRING				*		1	
44		SS6060210SP		SCREW 3/32-56L=1.9				*		2	
45		22901003		BED SCREW STUD						4	
46		B1109012I0B		THROAT PLATE (I)						1	

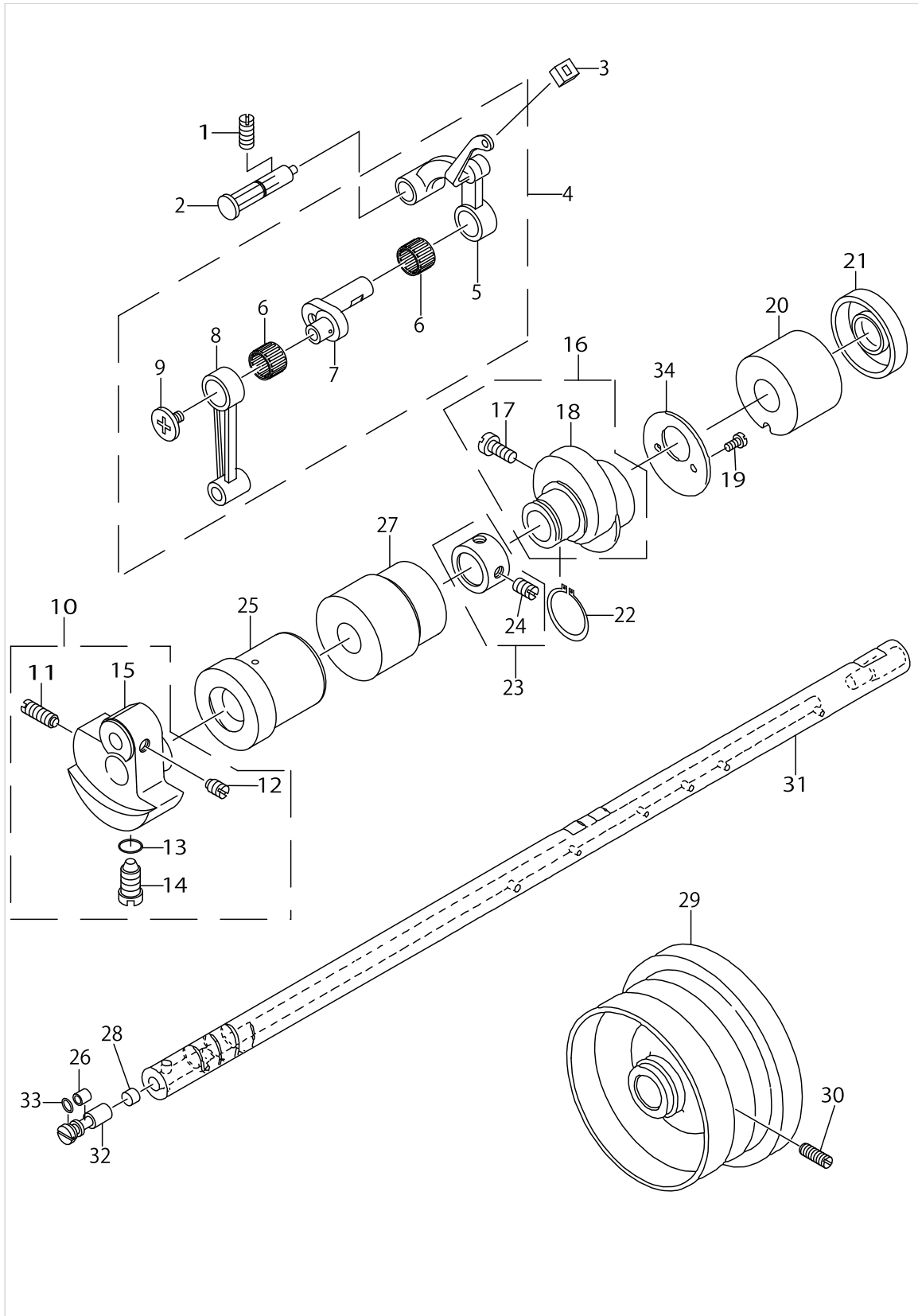
MACHINE FRAME & MISCELLANEOUS COVER COMPONENTS



MACHINE FRAME & MISCELLANEOUS COVER COMPONENTS

No.	Supply Code	Parts No.	Replacement	Parts name	Remarks	Choice	Step	Level	Cons	Qty	Rep. QTY
47	R	18077503	11415205	THREAD TAKE-UP LEVER COVER						1	1.00
48		CM300200001		ATTENTION SEAL						1	
49		CM3002000B1		LABEL(16)						1	
50		CM300200101		SAFETY LABEL, 1(SMALL).						1	
51		CM3002001A1		SAFETY LABEL,,3 (SMALL).						1	
52	R	10004109	22901805	GROUND MARK						1	1.00
53		B1109552000		THROAT PLATE						1	
54		22902605		SULER STOPPER						1	
55		SS7110540SP		SCREW 11/64-40 L=5						2	

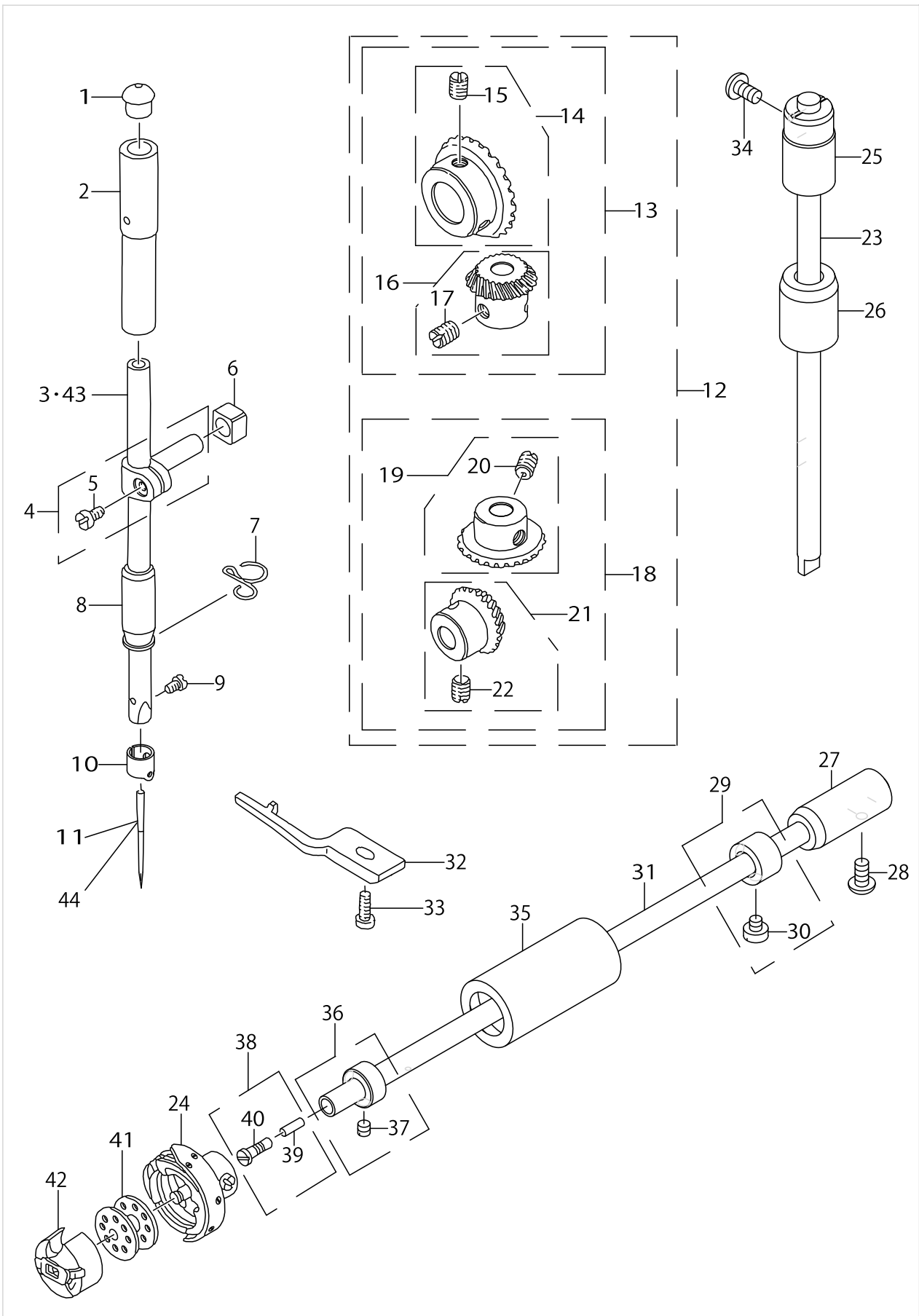
MAIN SHAFT & THREAD TAKE-UP LEVER COMPONENTS



MAIN SHAFT & THREAD TAKE-UP LEVER COMPONENTS

No.	Supply Code	Parts No.	Replacement	Parts name	Remarks	Choice	Step	Level	Cons	Qty	Rep. QTY
1	R	SS8151150SP	SS8151150TP	SCREW 15/64-28 L=10.5						1	1.00
2		22919559		THREAD TAKE-UP CRANK SHAFT ASM						1	
3		22919203		RUBBER						1	
4	R	11039070	22918072	THREAD TAKE-UP LEVER ASM.						1	1.00
5	R	11039062	22918072	THREAD TAKE-UP LEVER ASM.				*		1	1.00
6		B1905541B00		NEEDLE BEARING				*		2	
7	R	11005204	22918106	NEEDLE BAR CRANK				*		1	1.00
8	R	B1408552000	22906606	NEEDLE BAR CRANK ROD				*		1	1.00
9		B1903552000		LEFT SCREW				*		1	
10		22903157		COUNTER WEIGHT ASM.						1	
11		SS8681650TP		SCREW 9/32-28 L=16				*		1	
12		SS8660610TP		SCREW 1/4-40 L=6				*		2	
13		RO044240100		RUBBER RING				*		1	
14		SS7681650TP		SCREW 9/32-28 L=16				*		1	
15	R	22903108	22903157	COUNTER WEIGHT				*		1	1.00
16		22910053		FEED DRIVE ECCEN-TRIC CAM ASM.						1	
17		SS6661110SP		SCREW 1/4-40 L=11				*		2	
18	R	22910004	22910053	FEED DRIVE ECCENTRIC CAM				*		1	1.00
19	R	SS6090650SP	SS6090670TP	SCREW 9/64-40 L=6						2	1.00
20	R	22903405	11002409	MAIN SHAFT BUSHING, REAR						1	1.00
21	R	22903504	40105231	OIL SEAL						1	1.00
22		RC1850001KP		SNAP RING 18.5						1	
23		22904155		THRUST COLLAR ASM.						1	
24		SS8660610TP		SCREW 1/4-40 L=6				*		2	
25		22903207		MAIN SHAFT FRONT BUSHING						1	
26	R	22904007	B1215552000	OIL ADJUSTING COLLAR						1	1.00
27		22903306		BUSHING,INTERMEDIATE						1	
28	R	22903702	11002904	ROLLER FELT						1	1.00
29	R	22927206	11071362	HAND WHEEL						1	1.00
30		SS8151550SP		SCREW15/64-28L=15						2	
31		22903009		UPPER SHAFT						1	
32		22903900		OIL AMOUNT ADJUSTING PIN						1	
33		RO029180100		RUBBER RING						1	
34		22910103		THRUST COLLAR						1	

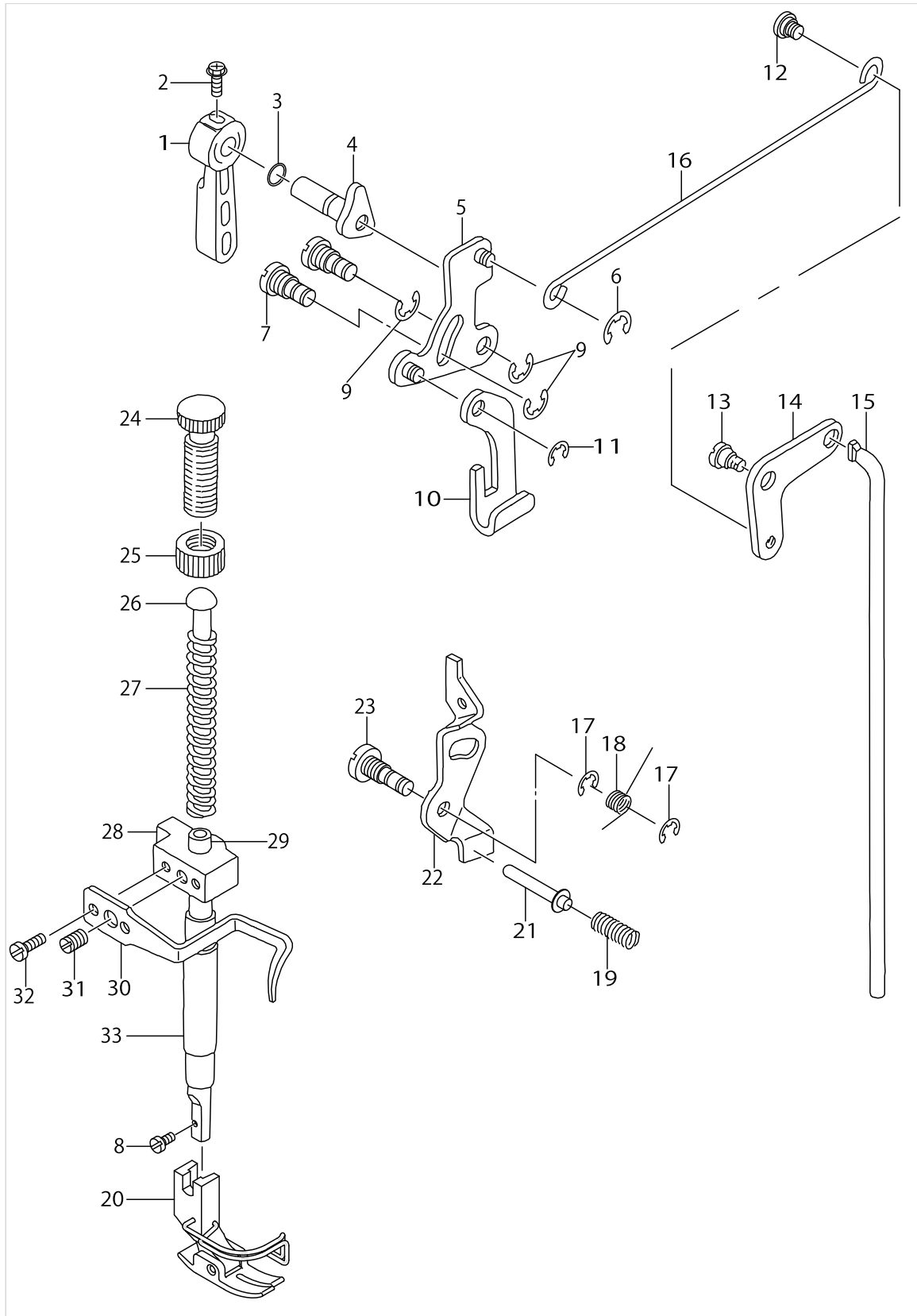
NEEDLE BAR, UPRIGHT SHAFT & HOOK DRIVING SHAFT COMPONENTS



NEEDLE BAR, UPRIGHT SHAFT & HOOK DRIVING SHAFT COMPONENTS

No.	Supply Code	Parts No.	Replacement	Parts name	Remarks	Choice	Step	Level	Cons	Qty	Rep. QTY
1		22901409		CAP						1	
2		22906101		NEEDLE BAR BUSHING ,UPPER						1	
3		22906002		NEEDLE BAR						1	
4		22906457		NEEDLE ROD HOLDER ASM.						1	
5		SS6090670TP		SCREW 9/64-40 L=6				*		1	
6	R	22906507	B1414555000	SLIDE BLOCK						1	1.00
7		22920805		NEEDLE BAR THREAD GUIDE						1	
8		22906200		NEEDLE BAR BUSHING, LOWER						1	
9		SS7080510TP		SCREW 1/8-44 L=4.5						1	
10		22906309		NEEDLE BAR THREAD GUIDE						1	
11		MDB100B1400		NEEDLE DBX1 #14						1	
12	R	B13061550C0	B13071550C0	GEAR & PINION ASM.						1	1.00
13		B13061550B0		GEAR & PINION ASM., UPPER				*		1	
14		B13050120A0		GEAR ASM.				*		1	
15		SS8660810TP		SCREW 1/4-40 L=8				*		2	
16		B13061550A0		PINION ASM.				*		1	
17		SS8660810TP		SCREW 1/4-40 L=8				*		2	
18		B13071550B0		GEAR & PINION ASM., LOWER				*		1	
19		B13071550A0		GEAR ASM. LARGE				*		1	
20		SS8660810TP		SCREW 1/4-40 L=8				*		2	
21		B13081550A0		PINION ASM.				*		1	
22		SS8660810TP		SCREW 1/4-40 L=8				*		2	
23		22905004		UPRIGHT SHAFT						1	
24		B18301270A0		HOOK ASM.						1	
25		22905103		UPRIGHT SHAFT BUSHING ,LOWER						1	
26		22905202		UPRIGHT SHAFT BUSHING ,LOWER						1	
27		22916308		BUSHING ,REAR						1	
28		SS4120915SP		SCREW 3/16-28 L=9						1	
29		22917157		THRUST COLLAR ASM.						1	
30		SS6110420TP		SCREW 11/64-40 L=4.8				*		2	
31		22916001		LOWER SHAFT						1	
32		22916407		BOBBIN CASE HOLDER						1	
33		SS4110915SP		SCREW 11/64-40 L=9						1	
34		SS4120915SP		SCREW 3/16-28 L=9						1	
35		22916100		LOWER SHAFT FRONT METAL						1	
36		22917058		THRUST COLLAR ASM.						1	
37		SS8110410TP		SCREW 11/64-40 L= 3.5				*		2	
38		22916555		OILSEALSCREWASM.						1	
39	R	22916605	11015906	OIL WICK				*		1	1.00
40		22916506		OIL SEAL SCREW				*		1	
41		22932909		BOBBIN						1	
42		B18370120A0		BOBBIN CASE ASM.						1	
43	R	11141108	22906705	NEEDLE BAR						1	1.00
44		MC200500900		NEEDLE 134 90						1	

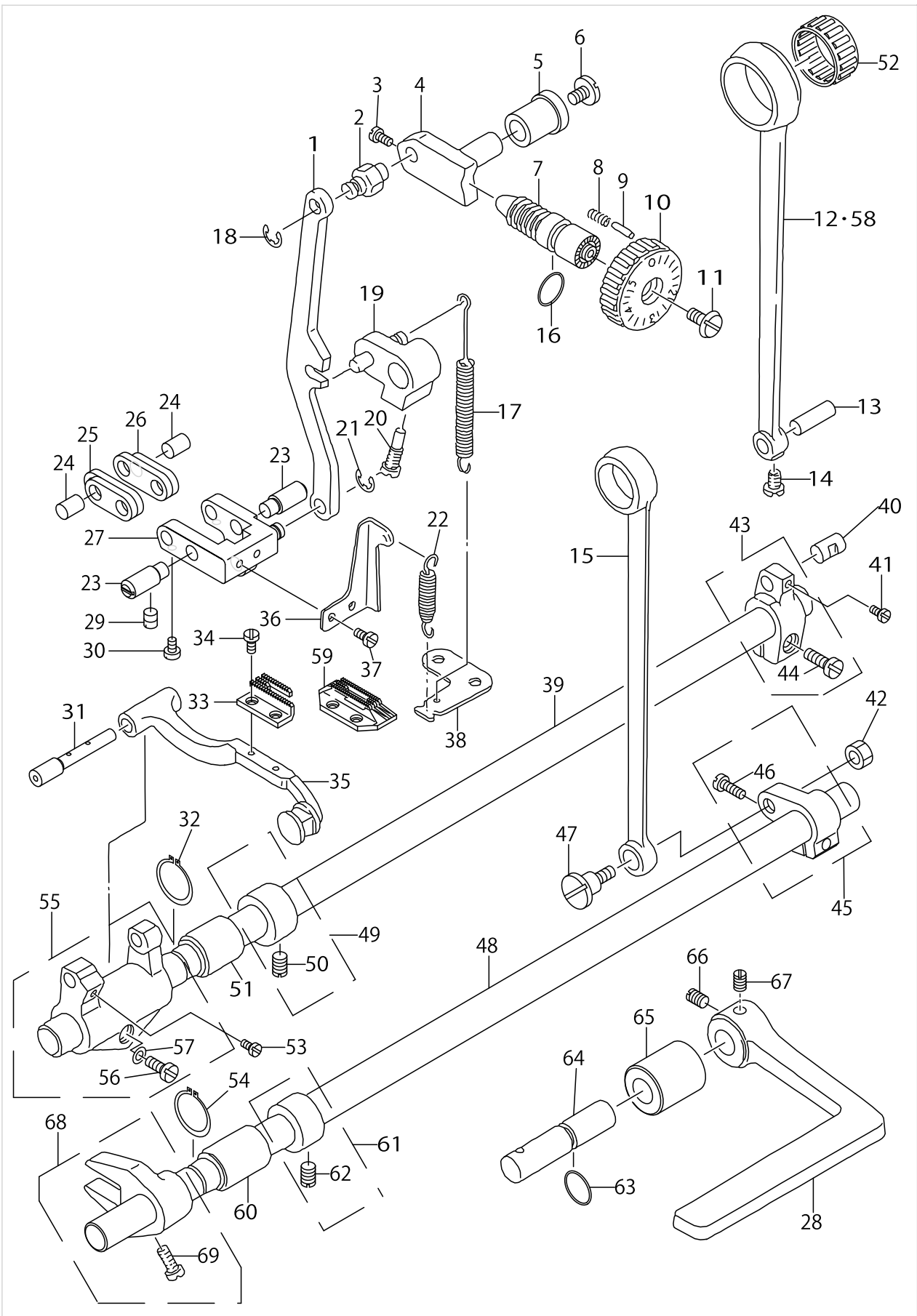
HAND LIFTER COMPONENTS



HAND LIFTER COMPONENTS

No.	Supply Code	Parts No.	Replacement	Parts name	Remarks	Choice	Step	Level	Cons	Qty	Rep. QTY
1		22907802		HAND LIFTER						1	
2		B1521555000		SCREW						1	
3		RO037180100		RUBBER RING						1	
4		22908552		HAND LIFTER CAM ASM.						1	
5	R	22908156	22908354	HAND LIFTER LINK						1	1.00
6		RE0500000K0		E-RING						1	
7	R	11006509	22908701	LINK SHAFT						1	1.00
8	R	SS7091110SP	SS7091110TP	SCREW 9/64-40 L=10.5						1	1.00
9		RE0500000K0		E-RING						3	
10	R	22908008	22908354	LIFTING LEVER		A	DDL-5550 5550N 555- ON-7 5556- N-7 5600NL-7			1	1.00
10	R	22908008	23609357	LIFTING LEVER		B	DDL-9000A 9000B			1	1.00
10	R	22908008	40057398	LIFTING LEVER		C	LH-3500			1	1.00
10	R	22908008	40174387	LIFTING LEVER		D	DDL-9000C			1	1.00
11		RE0500000K0		E-RING						1	
12		22908909		HINGE SCREW						1	
13		SD0720331SP		HINGE SCREW D= 7.24 H= 3.3						1	
14		22908800		LIFTING LEVER LINK						1	
15		22909006		CONNECTING ROD VERTICAL						1	
16		22908305		LIFTING LEVER CONNECTING ROD						1	
17		RE0500000K0		E-RING						2	
18		22920201		TENSION RELEASE RETURN SPRING						1	
19		22920409		TENSION RELEASE PIN SPRING						1	
20		B15240120BA		PRESSER FOOT ASM.						1	
21	R	11018306	22920300	TENSION RELEASE SUPPORTING PIN						1	1.00
22		22920003		TENSION RELEASE PLATE						1	
23	R	11018108	22920102	TENSION RELEASE SHAFT						1	1.00
24	R	22907505	22907554	PRESSER ADJUSTING SCREW						1	1.00
25	R	22907604	22907554	PRESSER ADJUSTING SCREW NUT						1	1.00
26		22907703		PRESSER GUIDE BAR						1	
27		22907406		PRESSER ADJUSTING SPRING						1	
28		22907208		PRESSER BAR GUIDE BRACKET						1	
29	R	22907000	40017805	PRESSER BAR						1	1.00
30		22907307		PRESSER BAR THREAD GUIDE						1	
31		SS8660810TP		SCREW 1/4-40 L=8						1	
32		SS6090910SP		SCREW 9/64-40 L=9						2	
33		22907109		PRESSER BAR BUSHING, LOWER						1	

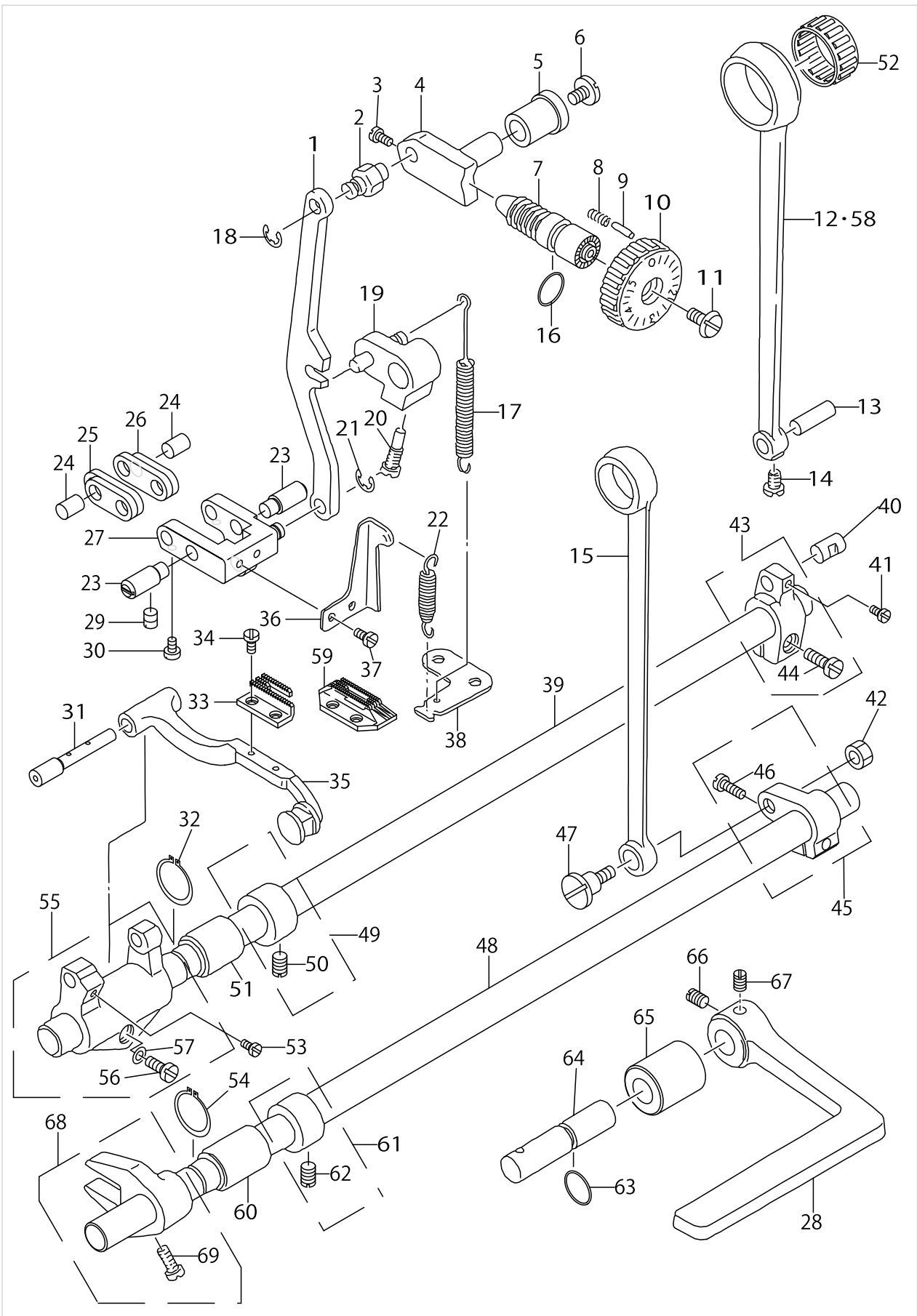
FEED MECHANISM COMPONENTS



FEED MECHANISM COMPONENTS

No.	Supply Code	Parts No.	Replacement	Parts name	Remarks	Choice	Step	Level	Cons	Qty	Rep. QTY
1		22911408		FEED ADJUST ROD						1	
2		22911507		FEED REGULATOR PIN						1	
3		SS6090670TP		SCREW 9/64-40 L=6						2	
4		22911606		FEED REGULATOR						1	
5		22911705		FEED REGULATOR BUSHING						1	
6		SS7120770SH		SCREW 3/16-28 L=7						1	
7		22911804		FEED REGULATOR SCREW						1	
8		22912109		SPRING						1	
9		22912000		PIN						1	
10		22911903		FEED DIAL						1	
11		SS6121860SP		SCREW 3/16-28 L=18						1	
12	R	22910202	22910251	ROCKER SHAFT CO- NNECTING ROD						1	1.00
13		22911101		WALKING FOOT PIN C						1	
14	R	SS6090620SP	SS6090620TP	SCREW 9/64-40 L=6						1	1.00
15		22915003		CONNECTING ROD						1	
16		RO092270200		RUBBER RING						1	
17	R	22912406	11010311	FEED REVERSE SPRING						1	1.00
18		RE0500000K0		E-RING						1	
19		22912257		FEED REVERSE ARM ASM.						1	
20	R	11010410	22912505	FEED REVERSE ARM SCREW						1	1.00
21		RE0500000K0		E-RING						1	
22		22911309		ADJUSTING LINK SPRING						1	
23		22910806		ADJUSTING LINK F- ULCRUM SHAFT A						2	
24		22910905		WALKING FOOT PIN A						2	
25	R	11008703	40089548	WALKING FOOT LINK						2	1.00
26	R	11008604	40093417	CONNECTING LINK A						2	1.00
27		22910459		FEED ADJUST LINK ASM.						1	
28	R	22912703	22912752	REVERSE FEED CONTROL LEVER						1	1.00
29	R	SS8150710SP	SS8150710TP	SCREW 15/64-28 L=7						2	1.00
30	R	SS6090620SP	SS6090620TP	SCREW 9/64-40 L=6						2	1.00
31		22913206		FEED BAR SHAFT						1	
32		RC0150001KP		RETAINING RING 13.8						1	
33		B1613012A00		FEED DOG A						1	
34		SS4080620TP		SCREW 1/8-44 L=6						2	
35	R	22913354	22940803	FEED BASE ASM.		A				1	1.00
35	R	22913354	22940654	FEED BASE ASM.		A				1	1.00
35	R	22913354	22940753	FEED BASE ASM.		A				1	1.00
36		22941306		ADJUSTING LINK SPRING GUIDE						1	
37		SS7110510SP		SCREW 11/64-40 L=5						2	
38		22913701		FEED SPRING HOOK						1	
39		22912901		FEED ROCKERSHAFT						1	
40		22911002		WALKING FOOT PIN B						1	
41	R	SS6090620SP	SS6090620TP	SCREW 9/64-40 L=6						1	1.00
42		NS6680410SP		NUT 9/32-28						1	
43		22910350		FEED ROCKER SHA- FT CRANK ASM.						1	

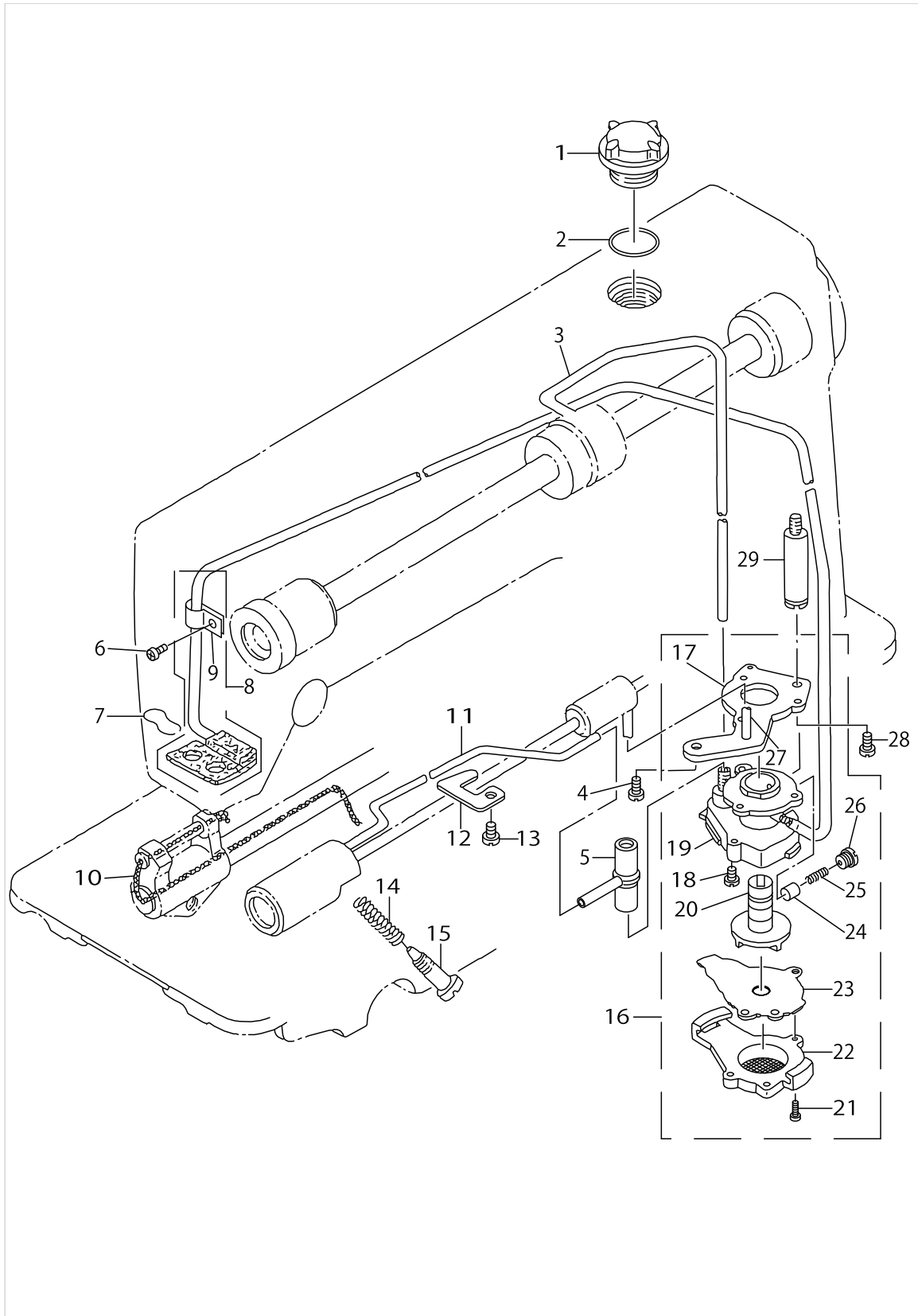
FEED MECHANISM COMPONENTS



FEED MECHANISM COMPONENTS

No.	Supply Code	Parts No.	Replacement	Parts name	Remarks	Choice	Step	Level	Cons	Qty	Rep. QTY
44		SS7121410TP		SCREW 3/16-28 L=14				*		1	
45		22915151		FEED ARM COMPL.						1	
46		SS7121610SP		SCREW 3/16-28 L=15.5				*		1	
47		SD1000801SH		HINGE SCREW D=10 H=8						1	
48		22915201		FEED DRIVING SHAFT						1	
49		22904155		THRUST COLLAR ASM.						1	
50		SS8660610TP		SCREW 1/4-40 L=6				*		2	
51		22913008		FEED ROCKER SHAFT BUSHING						1	
52		B1636581C00		NEEDLE BEARING						1	
53		SS7110740TP		SCREW 11/64-40 L=7						1	
54		RC0150001KP		RETAINING RING 13.8						1	
55		22913156		FEED BAR CRANK ASM.						1	
56		SS7121410TP		SCREW 3/16-28 L=14				*		1	
57		WP0480856SP		WASHER 4.8X8.4X0.8				*		1	
58	R	22913800	22913859	HORIZONTAL FEED ROD B						1	1.00
59		B1613012I00		FEED DOG I						1	
60		22913008		FEED ROCKER SHAFT BUSHING						1	
61		22904155		THRUST COLLAR ASM.						1	
62		SS8660610TP		SCREW 1/4-40 L=6				*		1	
63		RO078190100		RUBBER RING						1	
64		22912604		FEED REVERSE SHAFT						1	
65		22912802		FEED LEVER METAL						1	
66		SM8061050TP		SCREW						1	
67		SM8061010TP		SCREW						1	
68	R	22915300	22915359	RIVING SHAFT CRANK						1	1.00
69	R	SS7111120SP	SS7111120TP	SCREW 11/64-40 L=10.5				*		1	1.00

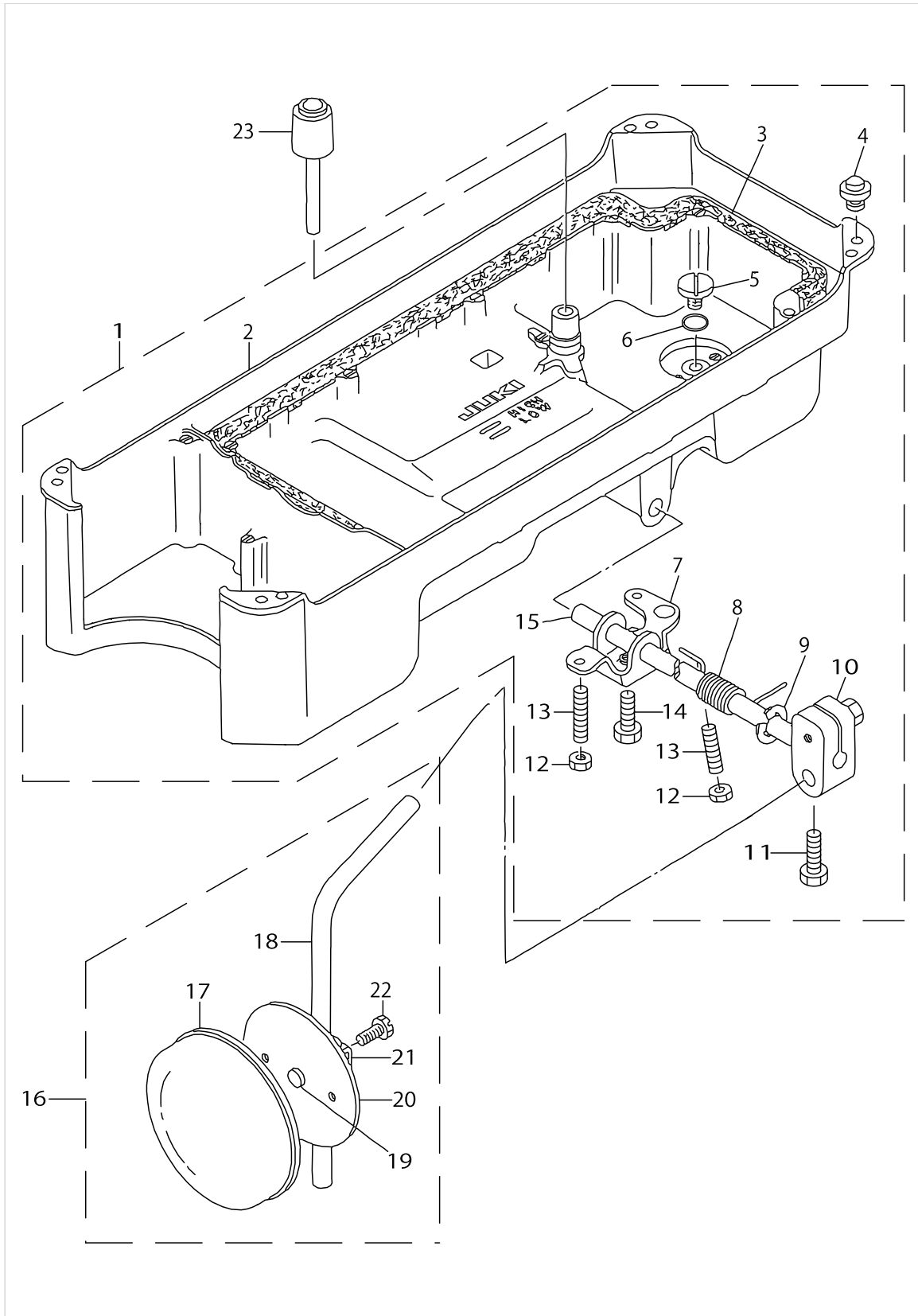
OIL LUBRICATION COMPONENTS



OIL LUBRICATION COMPONENTS

No.	Supply Code	Parts No.	Replacement	Parts name	Remarks	Choice	Step	Level	Cons	Qty	Rep. QTY
1		22924708		OIL SIGHT WINDOW						1	
2		RO195240100		RUBBER RING						1	
3		22924401		MAINSHAFTOILTUBE						1	
4		SS4150915SP		SCREW 15/64-28 L=9						1	
5		22924609		MAINSHAFTOILTUBE						1	
6		SS4120615SP		SCREW 3/16-28 L=6						1	
7		22925101		OIL FELT PRESSER						1	
8		22924153		OIL RETURN TUBE ASM.						1	
9		22924302		HOLDER				*		1	
10		CQ252000000		OIL WICK						.21	
11		22924500		OIL TUBE						1	
12		22924807		TUBE HOLDER ,LOWER						1	
13		SS4150915SP		SCREW 15/64-28 L=9						1	
14		22924906		SPRING						1	
15		22925002		OIL ADJUSTING SCREW						1	
16		22923056		LUBRICATING OIL PUMP ASM.						1	
17	R	22923304	22923056	OIL PUMP INSTALLING BASE				*		1	1.00
18		SL4030851SF		SCREW M3 L=8				*		3	
19	R	22923007	22923056	OIL PUMP				*		1	1.00
20		22923700		OIL PUMP IMPELLER				*		1	
21		SE4301041SR		SCREW D=3 L=10				*		3	
22		22923205		LUBRICATING OIL PUMP COVER				*		1	
23		22923809		OIL PUMP IMPELLER COVER				*		1	
24		22923403		PLUNGER				*		1	
25		22923601		PLUNGER SCREW				*		1	
26		22923502		PLUNGER SCREW				*		1	
27		22923908		HOOK DRIVING SHAFT OIL TUBE				*		1	
28		SS6111010TP		SCREW 11/64-40 L= 9.5						1	
29		22924005		OIL PUMP SUPPORT						1	

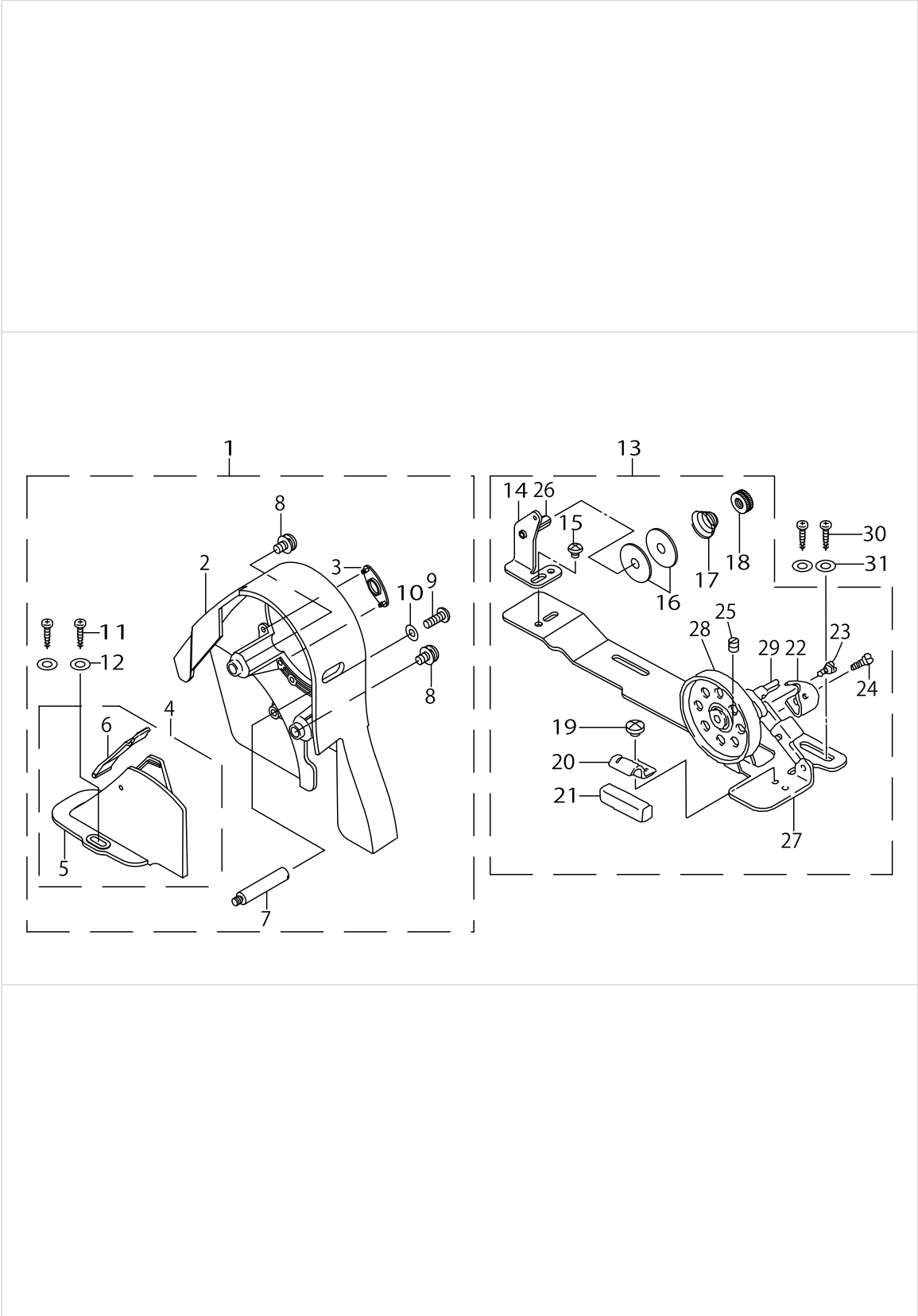
OIL RESERVOIR COMPONENTS



OIL RESERVOIR COMPONENTS

No.	Supply Code	Parts No.	Replacement	Parts name	Remarks	Choice	Step	Level	Cons	Qty	Rep. QTY
1	R	11047057	40102085	OIL RESERVOIR ASM.						1	1.00
2	R	11023017	40102085	OIL RESERVOIR				*		1	1.00
3		11024700		GASKET				*		1	
4		11047107		RUBBER CUSHION				*		4	
5		SS6700710SH		SCREW 5/16-24 L=7				*		1	
6	D	RO108240100		RUBBER RING				*		1	
7	R	11024015	22932156	CONNECTING ROT, VERTICAL				*		1	1.00
8	R	11024106	22932206	SPRING				*		1	1.00
9		RE1000000K0		E-RING 10				*		1	
10	R	11024510	22932453	BRACKET				*		1	1.00
11	R	SM9062053SR	22934707	SCREW M6 L=20				*		2	1.00
12		NM6060001SE		NUT M6				*		2	
13		SM8063012TR		SCREW M6 L=30				*		2	
14		SM9061853SR		SCREW M6 L=17.5				*		1	
15	R	11024205	22932305	KNEE PRESS ROD				*		1	1.00
16		22934251		KNEE PRESS PLATE ASM.						1	
17		22934509		KNEE PRESS PLATE COVER				*		1	
18		22934608		KNEE PRESS PLATE ROD				*		1	
19		22934400		KNEE PRESS PLATE RUBBER				*		1	
20		22934202		KNEE PRESS PLATE				*		1	
21		22934301		KNEE PRESS PLATE HOLDER				*		1	
22		SM9061203SE		SCREW M6 L=12				*		1	
23		22931703		KNEE PRESS LIFTER ROD						1	

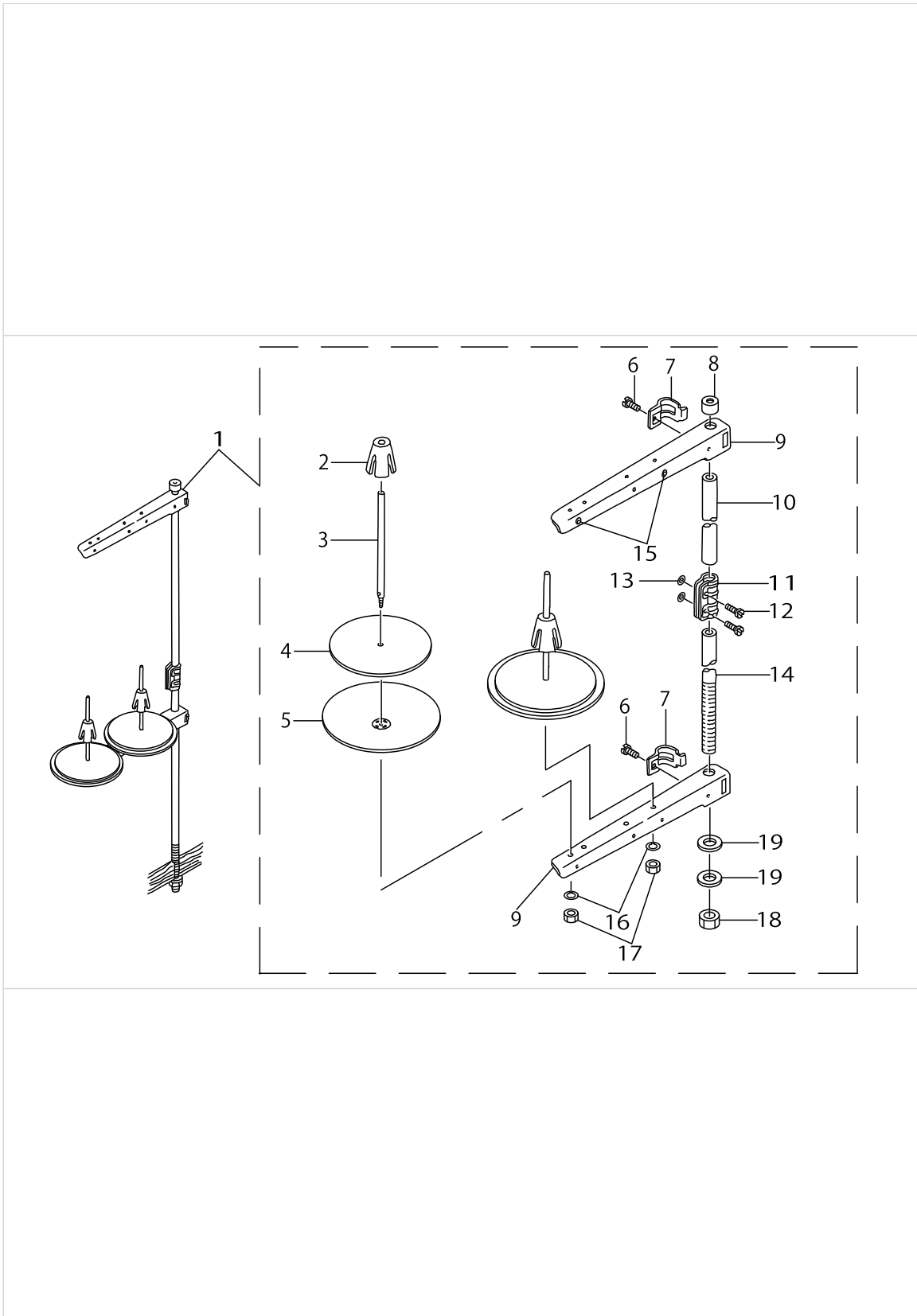
BELT COVER & BOBBIN WINDER COMPONENTS



BELT COVER & BOBBIN WINDER COMPONENTS

No.	Supply Code	Parts No.	Replacement	Parts name	Remarks	Choice	Step	Level	Cons	Qty	Rep. QTY
1		22933451		BELT COVER ASM.						1	
2	R	22933402	22933451	BELT COVER A				*		1	1.00
3		22933501		BELT COVER A CAP				*		1	
4		22933659		BELT COVER B ASM.				*		1	
5		22933600		BELT COVER B				*		1	
6	R	22933758	22933659	BELT COVER B CAP ASM.				*		1	1.00
7		22933907		BELT COVER SUPPORT ,A				*		1	
8	R	22934004	11025202	BELT COVER A SCREW				*		2	1.00
9		SS4121415SP		SCREW 3/16-28 L=14				*		1	
10		WP0501016SD		WASHER 5X10.5X1				*		1	
11	R	SK3412000SC	SK3412000SE	WOOD SCREW D=4.1 L=20				*		2	1.00
12		WP0450826SC		WASHER 4.5X10X0.8				*		2	
13		22927354		BOBBIN WINDER COMPL.						1	
14	R	22928501	11078250	THREAD TENSION BRACKET				*		1	1.00
15		SS4110515SP		SCREW 11/64-40 L=5				*		1	
16	R	22928907	22921506	THREAD TENSION DISK				*		2	1.00
17		22929004		THREAD TENSION SPRING				*		1	
18		22928808		THREAD TENSION NUT				*		1	
19		SS7110350SP		SCREW 11/64-40 L=3.5				*		1	
20	D	22928402		RUBBER BRAKE PRESSER PLATE				*		1	
21		22928303		RUBBER BRAKE				*		1	
22		22928105		POSITIONINGFINGER				*		1	
23		SD0490261SP		HINGE SCREW D=4.9 H=2.6				*		1	
24		SS7081310SP		SCREW 1/8-44 L=12.5				*		1	
25	R	SS8110510SP	SS8110520TP	SCREW 11/64-40 L=5				*		1	1.00
26	R	22928709	11078250	THREAD TENSION BRACKET				*		1	1.00
27	R	22927305	22927354	BOBBIN BASE				*		1	1.00
28		22927404		BOBBIN PULLEY				*		1	
29		22927602		BOBBIN WINDER POST				*		1	
30	R	SK3412000SC	SK3412000SE	WOOD SCREW D=4.1 L=20						2	1.00
31		WP0450826SC		WASHER 4.5X10X0.8						2	

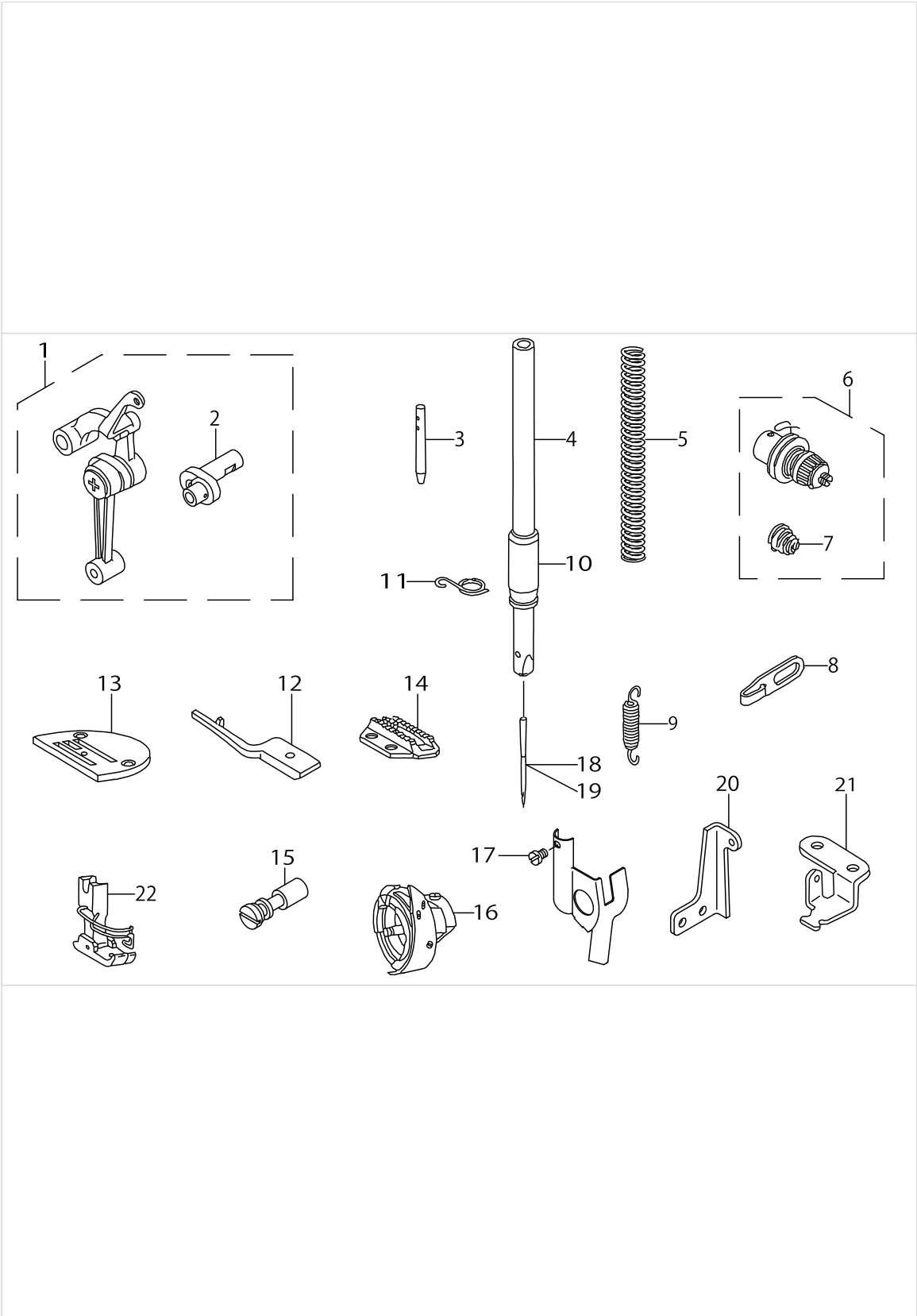
THREAD STAND COMPONENTS



THREAD STAND COMPONENTS

No.	Supply Code	Parts No.	Replacement	Parts name	Remarks	Choice	Step	Level	Cons	Qty	Rep. QTY
1	R	22930358	40096354	THREAD STAND ASM.						1	1.00
2	R	22931109	40085791	SPOOL RETAINER				*		2	1.00
3	R	22931000	40085790	SPOOL PIN				*		2	1.00
4		22930903		SPOOL REST CUSHION				*		2	
5		22930804		SPOOL REST				*		2	
6		SM6061610SC		SCREW M6 L=16				*		2	
7	R	22930705	40096354	THREAD GUIDE ARM JOINT				*		2	1.00
8		22931406		SPOOL REST ROD RUBBER CAP				*		1	
9	R	22930507	40096354	SPOOL REST ARM				*		2	1.00
10	R	22930408	40096354	SPOOL REST ROD, UPPER				*		1	1.00
11	R	22931307	40096354	SPOOL REST ROD JOINT				*		1	1.00
12		SM4051405SE		SCREW M5 L=14				*		2	
13		NM6050001SE		NUT M5				*		2	
14	R	22930309	40096354	SPOOL REST ROD, LOWER				*		1	1.00
15		22931208		THREAD GUIDE				*		2	
16		WS0510002KN		SPRING WASHER				*		2	
17		NM6050001SE		NUT M5				*		2	
18		NM6160511SE		NUT M16X1.5				*		1	
19		WP1702600S0		WASHER 17X30X2.6				*		2	

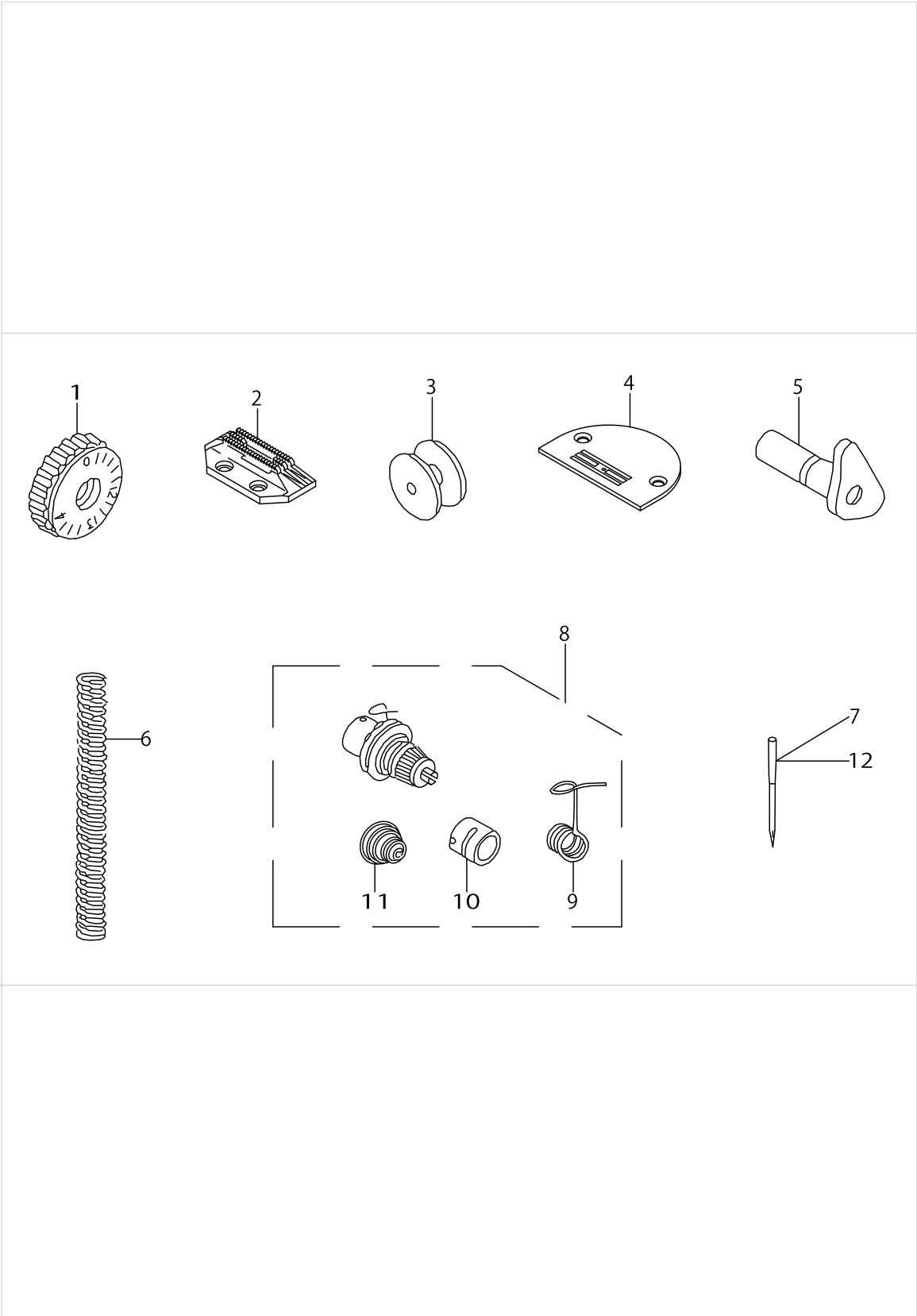
EXCLUSIVE PARTS FOR DDL-8500H



EXCLUSIVE PARTS FOR DDL-8500H

No.	Supply Code	Parts No.	Replacement	Parts name	Remarks	Choice	Step	Level	Cons	Qty	Rep. QTY
1	R	11091659	40103560	LINK THREAD TAKE- -UP LEVER ASM.						1	1.00
2	R	11091600	40109126	NEEDLEBARCRANKH				*		1	1.00
3	R	B1114012000	22958300	THREAD GUIDE PIN						1	1.00
4	R	11091303	22970206	NEEDLE BAR						1	1.00
5		B1505552000A		PRESSER SPRING						1	
6	R	11073558	22962054	THREAD TENSION ASM.						1	1.00
7		B3114232000		THREAD TENSION SPRING				*		1	
8		11091006		ARM THREAD GUIDE (HA)						1	
9		11091204		ADJUST LINK SPRING						1	
10		B1403553000		NEEDLE BAR BUSHING, LOWER						1	
11	R	B1419553000	40023223	NEEDLE BAR THREAD GUIDE						1	1.00
12		11091709		POSITIONING FINGER						1	
13		B1109555H0B		THROAT PLATE (H)						1	
14		B1613555H00		FEED DOG (H)						1	
15		B1213552000A		OIL ADJUSTING PIN						1	
16		11092459		LUBRICATING HOOK ASM.						1	
17		SS6080320SP		SCREW 1/8-44 L=2.5						1	
18		MC200501300		NEEDLE 134 NM130						1	
19		MDB100B2100		NEEDLE DBX1 #21						1	
20	R	11092301	22941306	ADJUSTING LINK SPRING GUIDE						1	1.00
21	R	11091907	22962203	FEED SPRING HOOK						1	1.00
22	R	B1511543BBA	D1524555ECL	HINGED PRESSER FOOT ASM.						1	1.00

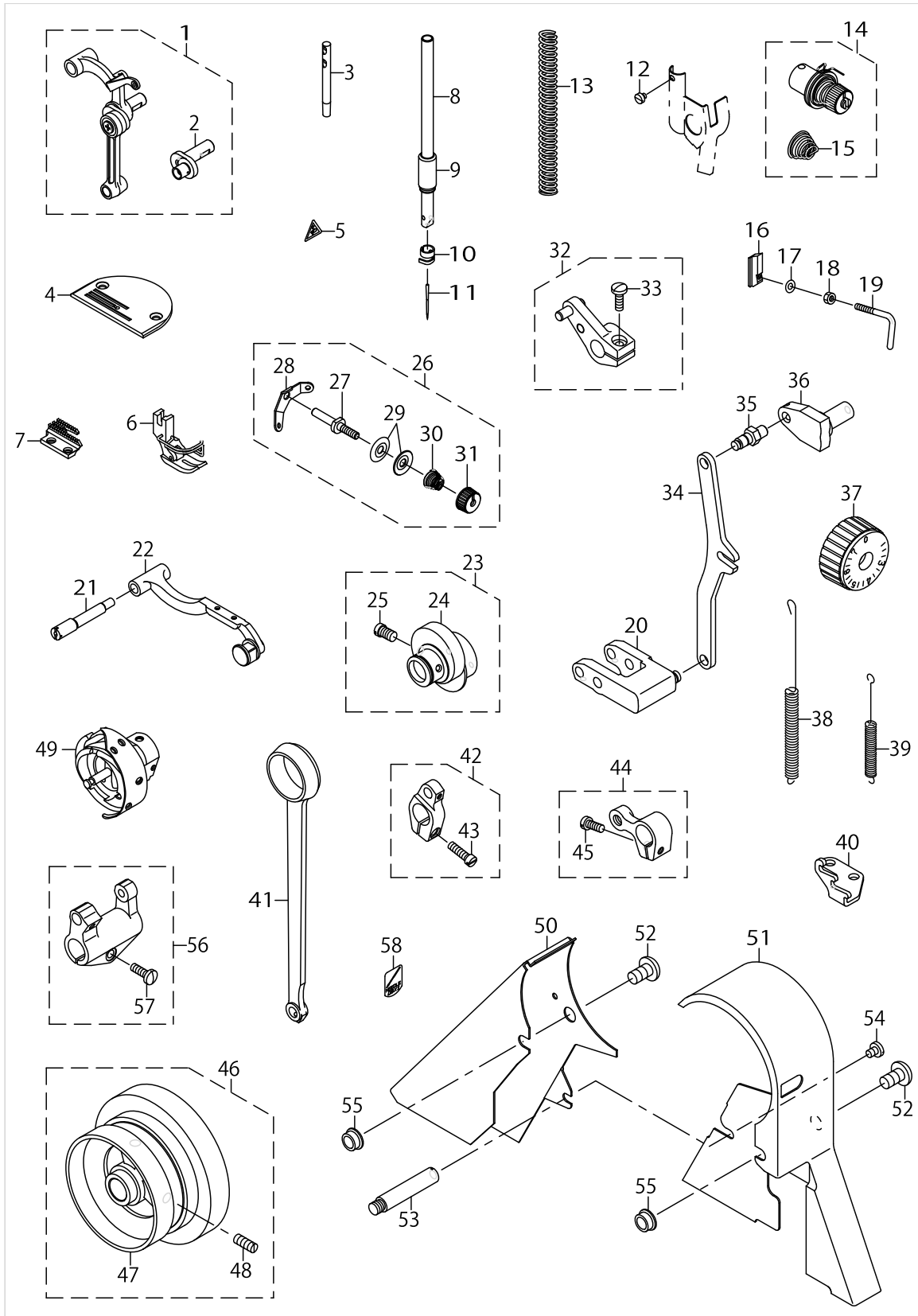
EXCLUSIVE PARTS FOR DDL-8500A



EXCLUSIVE PARTS FOR DDL-8500A

No.	Supply Code	Parts No.	Replacement	Parts name	Remarks	Choice	Step	Level	Cons	Qty	Rep. QTY
1		22940506		FEED DIAL						1	
2		B1613012I00		FEED DOG I						1	
3	R	B9117552A00	22964001	BOBBIN						1	1.00
4		B1109012I0B		THROAT PLATE (I)						1	
5		11092558		HAND LIFTER CAM ASM.						1	
6		B1505227T00A		PRESSER SPRING T						1	
7		MDA100B0900		NEEDLE DAX1 #9						1	
8	R	11073756	40011503	THREAD TENSION ASM.						1	1.00
9		D3128555D00		TAKE-UP SPRING				*		1	
10	R	B3111126000	22945307	TENSION POST SOCKET				*		1	1.00
11		D3129555D00		THREAD TENSION SPRING				*		1	
12		MC200500650		NEEDLE 134 NM65						1	

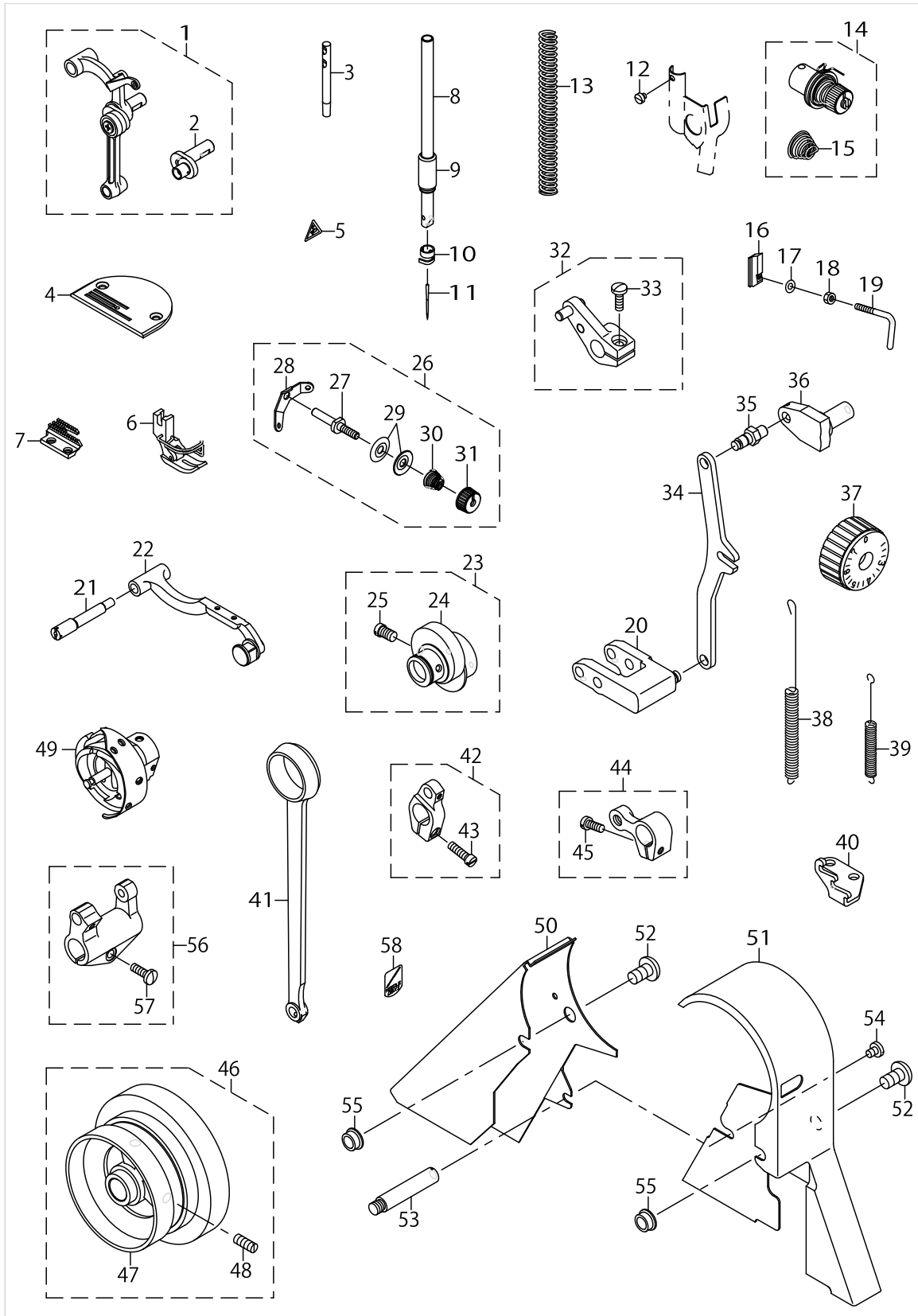
EXCLUSIVE PARTS FOR DDL-8500L



EXCLUSIVE PARTS FOR DDL-8500L

No.	Supply Code	Parts No.	Replacement	Parts name	Remarks	Choice	Step	Level	Cons	Qty	Rep. QTY
1		11062858		LINK THREAD TAKE-- -UP LEVER ASM.						1	
2		11062809		NEEDLE BAR CRANK				*		1	
3		22958300		NEEDLE THREAD GUIDE PIN						1	
4	R	22970008	11062007	THROAT PLATE						1	1.00
5		CM300200001		ATTENTION SEAL						1	
6		D1524126WBA		PRESSER FOOT ASM.						1	
7	R	22972103	11062601	FEED DOG						1	1.00
8		22970206		NEEDLE BAR						1	
9	R	22970305	B1403553000	NEEDLE BAR BUSHING ,LOWER						1	1.00
10		22970404		NEEDLE BAR THREAD HOOK						1	
11		MDB100B2100		NEEDLE DBX1 #21						1	
12		SS6080320SP		SCREW 1/8-44 L= 2.5						1	
13		B1505552000A		PRESSER SPRING						1	
14		22962054		THREAD TENSION ASM.						1	
15	R	22962005	B3114232000	THREAD TENSION SPRING				*		1	1.00
16	R	22972707	11403805	THREAD GUIDE C FITTING PLATE						1	1.00
17		WP0371016SD		WASHER 3.7X8X1						1	
18		NS6090310SP		NUT 9/64-40						1	
19		22972608		ARMTHREADGUIDE C						1	
20		22970958		FEED ADJUST LINK ASM.						1	
21		22940803		FEED BASE SHAFT						1	
22		22971857		FEED BASE ASM.						1	
23		22970552		FEED ECCENTRIC CAM ASM.						1	
24		22970503		FEED ECCENTRIC CAM L				*		1	
25		22972806		FEED ECCENTRIC CAM SETSCREW				*		2	
26	R	22945455	22945463	THREAD TENSION ASM. ,NO.1						1	1.00
27	D	22945406		THREAD TENSION POST				*		1	
28	R	22945604	22963458	THREAD TENSION GUIDE		A		*		1	1.00
28	R	22945604	22945463	THREAD TENSION GUIDE		B	DDL8700H-- -7/8700J-- 7/9000B, DLN6390-7 DDL8700-7 and so on	*		1	1.00
29		22945802		THREAD TENSION DISK				*		2	
30		22945505		THREAD TENSION SPRING				*		1	
31		22945703		THREAD TENSION NUT				*		1	
32		22971550		FEED LEVER ARM ASM.						1	
33		SS7121410TP		SCREW 3/16-28 L=14				*		1	
34		22971105		FEED REGULATOR ROD						1	
35		22971204		FEED REGULATOR BASE PIN						1	
36		22971303		FEED REGULATOR BASE						1	
37		22971402		FEED DIAL						1	
38		22971006		FEED REGULATOR BASE SPRING						1	
39		22971709		FEED REVERSE SPRING						1	
40		22970602		FEED SPRING HOOK						1	
41	R	22970701	22970750	HORIZONTAL FEED ROD						1	1.00
42		22970859		HORIZONTAL FEED ARM ASM.						1	
43		SS6121610SP		SCREW 3/16-28 L=15.5				*		1	

EXCLUSIVE PARTS FOR DDL-8500L



EXCLUSIVE PARTS FOR DDL-8500L

No.	Supply Code	Parts No.	Replacement	Parts name	Remarks	Choice	Step	Level	Cons	Qty	Rep. QTY
44		22972251		VERTICAL FEED ARM ASM.						1	
45		SS6121610SP		SCREW 3/16-28 L=15.5				*		1	
46		22970156		HAND WHEEL ASM.						1	
47	R	22970107	22970156	HAND WHEEL				*		1	1.00
48		SS8151550SP		SCREW 15/64-28 L=15				*		2	
49		11062759		OIL HOOK ASM.						1	
50		11072907		BELT COVER, A						1	
51		11073004		BELT COVER, B						1	
52		SS4701415SD		SCREW						2	
53	R	11023504	22933907	BELT COVER SUPPORT, A						1	1.00
54		SS7120640SP		SCREW 3/16-28 L=6						1	
55		11023603		BELT COVER COLLAR						2	
56		22940654		FEED ROCKER ASM.						1	
57		SS7121410TP		SCREW 3/16-28 L=14				*		1	
58		22967301		NEEDLE SEAL						1	

HOW TO MAKE USE OF THIS PARTS LIST

1.Explanation of codes

1)"*"mark.....means this part is changed from the previous parts book.

As to the details of the change, refer to the "List for information of change".

2)"#01".....refer to "Note" explanation at bottom of page.

2.Codes on the "Qty" column

• Each numeral indicates the number of parts required.

• "0.1" and "2.5" indicate the length (in meters) of the respective parts.

3.Parentheses mean that the corresponding part is a subpart that constructs an assembly part.

4.Dotted lines on the Figures indicate assembly parts.

1."注記"欄の記号説明

1) "*"印.....前回のパーツブックに比較して今回変更された部品を意味します。

変更内容は、"変更情報リスト"を参照してください。

2) "#01".....ページ下の"注記"の説明を参照してください。

2.数量欄の数字は、個数を表し、0.1、2.5等の数値は、長さ（単位メートル）を表します。

3.数量欄の（ ）は、組部品を構成している子部品であることを意味します。

4.イラストページの-----枠は、組構成であることを意味します。

NUMERICAL INDEX OF PARTS

PART NO	PAGE	REF NO.	PART NO	PAGE	REF NO.	PART NO	PAGE	REF NO.
10004109	4	52	22901003	2	45	22910004	6	18
11000619	2	9	22901201	2	42	22910053	6	16
11001500	2	22	22901250	2	41	22910103	6	34
11005204	6	7	22901300	2	43	22910202	12	12-58
11006509	10	7	22901409	8	1	22910350	12	43
11008604	12	26	22902159	2	1	22910459	12	27
11008703	12	25	22902209	2	2	22910806	12	23
11010410	12	20	22902605	4	54	22910905	12	24
11018108	10	23	22903009	6	31	22911002	12	40
11018306	10	21	22903108	6	15	22911101	12	13
11023017	18	2	22903157	6	10	22911309	12	22
11023504	30	53	22903207	6	25	22911408	12	1
11023603	30	55	22903306	6	27	22911507	12	2
11024015	18	7	22903405	6	20	22911606	12	4
11024106	18	8	22903504	6	21	22911705	12	5
11024205	18	15	22903702	6	28	22911804	12	7
11024510	18	10	22903900	6	32	22911903	12	10
11024700	18	3	22904007	6	26	22912000	12	9
11028008	2	35	22904155	6	23	22912109	12	8
11039062	6	5	22904155	14	61	22912257	12	19
11039070	6	4	22905004	8	23	22912406	12	17
11047057	18	1	22905103	8	25	22912604	14	64
11047107	18	4	22905202	8	26	22912703	12	28
11062759	30	49	22906002	8	3-43	22912802	14	65
11062809	28	2	22906101	8	2	22912901	12	39
11062858	28	1	22906200	8	8	22913008	14	60
11072907	30	50	22906309	8	10	22913156	14	55
11073004	30	51	22906457	8	4	22913206	12	31
11073558	24	6	22906507	8	6	22913354	12	35
11073756	26	8	22907000	10	29	22913701	12	38
11091006	24	8	22907109	10	33	22913800	14	12-58
11091204	24	9	22907208	10	28	22915003	12	15
11091303	24	4	22907307	10	30	22915151	14	45
11091600	24	2	22907406	10	27	22915201	14	48
11091659	24	1	22907505	10	24	22915300	14	68
11091709	24	12	22907604	10	25	22916001	8	31
11091907	24	21	22907703	10	26	22916100	8	35
11092301	24	20	22907802	10	1	22916308	8	27
11092459	24	16	22908008	10	10	22916407	8	32
11092558	26	5	22908156	10	5	22916506	8	40
11141108	8	3-43	22908305	10	16	22916555	8	38
18077503	4	47	22908552	10	4	22916605	8	39
22900401	2	8	22908800	10	14	22917058	8	36
22900609	2	18	22908909	10	12	22917157	8	29
22900757	2	4	22909006	10	15	22919203	6	3

NUMERICAL INDEX OF PARTS

PART NO	PAGE	REF NO.	PART NO	PAGE	REF NO.	PART NO	PAGE	REF NO.
22919559	6	2	22928709	20	26	22945604	28	28
22920003	10	22	22928808	20	18	22945703	28	31
22920201	10	18	22928907	20	16	22945802	28	29
22920409	10	19	22929004	20	17	22958300	28	3
22920508	2	21	22930309	22	14	22962005	28	15
22920607	2	37	22930358	22	1	22962054	28	14
22920706	2	17	22930408	22	10	22967301	30	58
22920805	8	7	22930507	22	9	22970008	28	4
22921209	2	29	22930705	22	7	22970107	30	47
22921308	2	24	22930804	22	5	22970156	30	46
22921407	2	25	22930903	22	4	22970206	28	8
22921506	2	28	22931000	22	3	22970305	28	9
22921605	2	30	22931109	22	2	22970404	28	10
22921704	2	26	22931208	22	15	22970503	28	24
22921803	2	27	22931307	22	11	22970552	28	23
22923007	16	19	22931406	22	8	22970602	28	40
22923056	16	16	22931703	18	23	22970701	28	41
22923205	16	22	22932503	2	13	22970859	28	42
22923304	16	17	22932552	2	12	22970958	28	20
22923403	16	24	22932602	2	14	22971006	28	38
22923502	16	26	22932701	2	15	22971105	28	34
22923601	16	25	22932909	8	41	22971204	28	35
22923700	16	20	22933402	20	2	22971303	28	36
22923809	16	23	22933451	20	1	22971402	28	37
22923908	16	27	22933501	20	3	22971550	28	32
22924005	16	29	22933600	20	5	22971709	28	39
22924153	16	8	22933659	20	4	22971857	28	22
22924302	16	9	22933758	20	6	22972103	28	7
22924401	16	3	22933907	20	7	22972251	30	44
22924500	16	11	22934004	20	8	22972608	28	19
22924609	16	5	22934202	18	20	22972707	28	16
22924708	16	1	22934251	18	16	22972806	28	25
22924807	16	12	22934301	18	21	B1109012I0B	2	46-53
22924906	16	14	22934400	18	19	B1109012I0B	26	4
22925002	16	15	22934509	18	17	B1109552000	4	46-53
22925101	16	7	22934608	18	18	B1109555H0B	24	13
22927206	6	29	22940506	26	1	B1114012000	24	3
22927305	20	27	22940654	30	56	B1213552000A	24	15
22927354	20	13	22940803	28	21	B13050120A0	8	14
22927404	20	28	22941306	12	36	B13061550A0	8	16
22927602	20	29	22945307	2	31	B13061550B0	8	13
22928105	20	22	22945356	2	23	B13061550C0	8	12
22928303	20	21	22945406	28	27	B13071550A0	8	19
22928402	20	20	22945455	28	26	B13071550B0	8	18
22928501	20	14	22945505	28	30	B13081550A0	8	21

NUMERICAL INDEX OF PARTS

PART NO	PAGE	REF NO.	PART NO	PAGE	REF NO.	PART NO	PAGE	REF NO.
B1403553000	24	10	RC1850001KP	6	22	SS6090910SP	10	32
B1408552000	6	8	RE0500000K0	10	17	SS6110420TP	8	30
B1419553000	24	11	RE0500000K0	12	21	SS6110610TP	2	38
B1505227T00A	26	6	RE1000000K0	18	9	SS6111010TP	16	28
B1505552000A	24	5	RO029180100	6	33	SS6121610SP	28	45
B1505552000A	28	13	RO037180100	10	3	SS6121610SP	30	45
B1511543BBA	24	22	RO044240100	6	13	SS6121860SP	12	11
B1521555000	10	2	RO078190100	14	63	SS6661110SP	6	17
B15240120BA	10	20	RO092270200	12	16	SS6700710SH	18	5
B1613012A00	12	33	RO108240100	18	6	SS7080510TP	8	9
B1613012I00	14	59	RO195240100	16	2	SS7081310SP	20	24
B1613012I00	26	2	SD0380552SL	2	16	SS7091110SP	10	8
B1613555H00	24	14	SD0490261SP	20	23	SS7110350SP	20	19
B1636581C00	14	52	SD0720331SP	10	13	SS7110510SP	12	37
B18301270A0	8	24	SD1000801SH	14	47	SS7110540SP	4	55
B18370120A0	8	42	SE4301041SR	16	21	SS7110740TP	14	53
B1903552000	6	9	SK3412000SC	20	30	SS7111120SP	14	69
B1905541B00	6	6	SL4030851SF	16	18	SS7120640SP	30	54
B3111126000	26	10	SM4051405SE	22	12	SS7120770SH	12	6
B3114232000	24	7	SM6061610SC	22	6	SS7121410TP	14	56
B3118552E00	2	34	SM8061010TP	14	67	SS7121410TP	28	57
B9117552A00	26	3	SM8061050TP	14	66	SS7121410TP	30	57
CM300200001	4	48-49	SM8063012TR	18	13	SS7121610SP	14	46
CM300200001	28	5	SM9061203SE	18	22	SS7681650TP	6	14
CM3002000B1	4	48-49	SM9061853SR	18	14	SS8090670SP	2	32
CM300200101	4	50-51	SM9062053SR	18	11	SS8110410TP	8	37
CM3002001A1	4	50-51	SS2110920TP	2	36	SS8110510SP	20	25
CQ252000000	16	10	SS4080620TP	12	34	SS8150710SP	2	33
D1524126WBA	28	6	SS4110515SP	20	15	SS8150710SP	12	29
D3128555D00	26	9	SS4110915SP	8	33	SS8151150SP	6	1
D3129555D00	26	11	SS4120615SP	2	20	SS8151550SP	6	30
MC200500650	26	12	SS4120615SP	16	6	SS8151550SP	30	48
MC200500900	8	44	SS4120915SP	2	40	SS8660610TP	6	24
MC200501300	24	18	SS4120915SP	8	34	SS8660610TP	14	62
MDA100B0900	26	7	SS4121415SP	20	9	SS8660810TP	8	22
MDB100B1400	8	11	SS4150915SP	16	13	SS8660810TP	10	31
MDB100B2100	24	19	SS4701415SD	30	52	SS8681650TP	6	11
MDB100B2100	28	11	SS6060210SP	2	44	TA0850604R0	2	5
NM6050001SE	22	17	SS6080320SP	24	17	TA1250406R0	2	39
NM6060001SE	18	12	SS6080320SP	28	12	TA1250705R0	2	6
NM6160511SE	22	18	SS6080410SP	2	3	TA2000502R0	2	10
NS6090310SP	28	18	SS6090620SP	12	41	TA2101002R0	2	11
NS6680410SP	12	42	SS6090650SP	6	19	WP0371016SD	28	17
RC0150001KP	12	54	SS6090670TP	8	5	WP0450826SC	20	31
RC0150001KP	14	54	SS6090670TP	12	3	WP0480856SP	14	57

NUMERICAL INDEX OF PARTS

PART NO	PAGE	REF NO.
WP0501016SD	20	10
WP1702600S0	22	19
WS0510002KN	22	16