

MODEL : Z192

List No : 1279-00

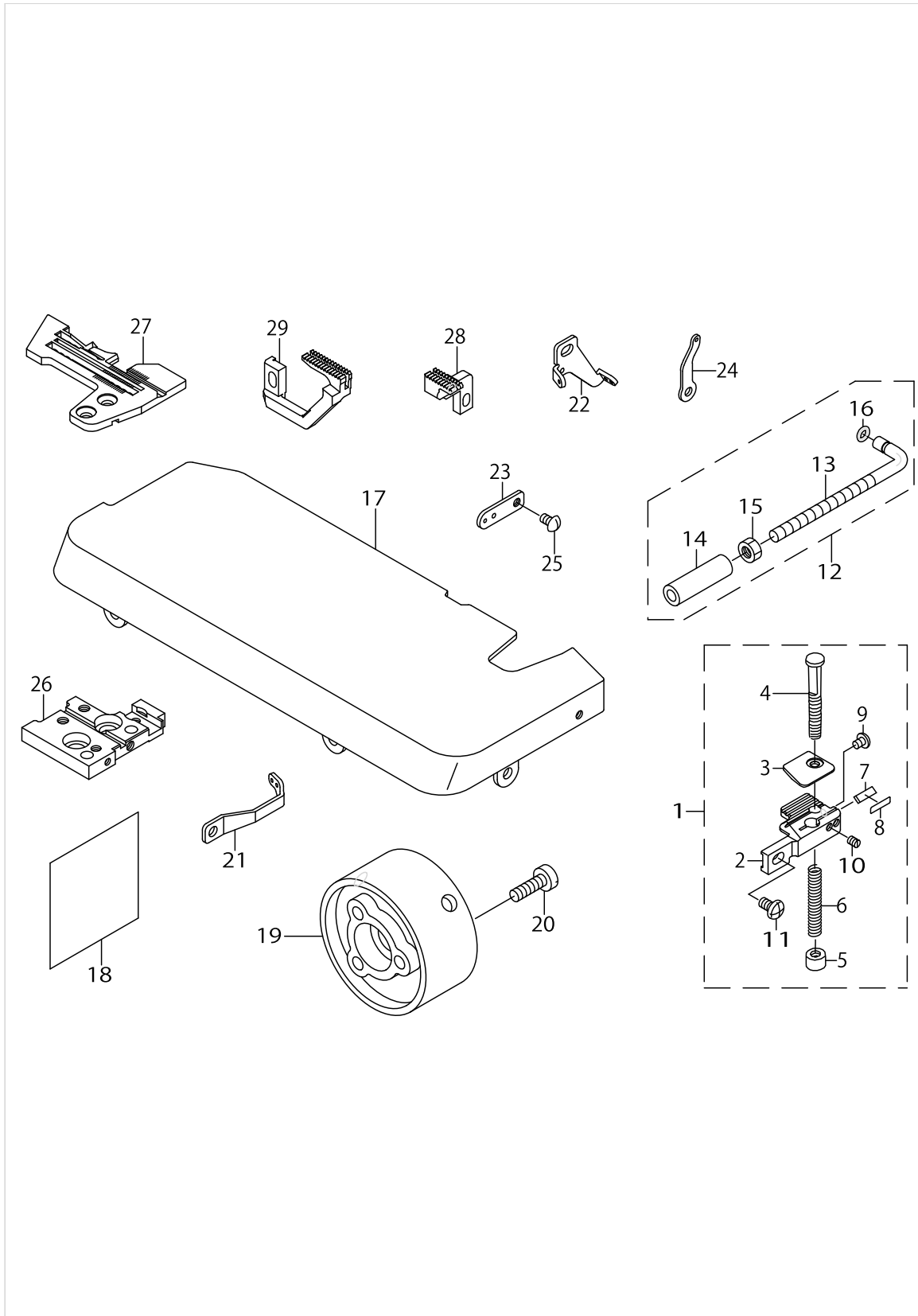
PARTS LIST

Published:05/12/2017

CONTENTS

Z192 (HAND OPERATED CHAIN-OFF THREAD ROLLING-IN DEVICE)	1
HOW TO MAKE USE OF THIS PARTS LIST	3

Z192 (HAND OPERATED CHAIN-OFF THREAD ROLLING-IN DEVICE)



Z192 (HAND OPERATED CHAIN-OFF THREAD ROLLING-IN DEVICE)

No.	Supply Code	Parts No.	Replacement	Parts name	Remarks	Choice	Step	Level	Cons	Qty	Rep. QTY
1	D	MAZ192010A0		ROLLUPDEVICEASM.						1	
2		MAZ19202000		REAR PRESSER ROLL UP BASE				*		1	
3	D	MAZ19203000		PRESSER PLATE				*		1	
4		MAZ08204000		REAR PRESSER REGULATING SHAFT				*		1	
5		MAZ08205000		REAR PRESSER REGULATING KNOB				*		1	
6		MAZ08206000		REAR PRESSER REGULATING SPRING				*		1	
7		MAZ08211000		KNIFE				*		1	
8		MAZ08212000		KNIFE PRESSER				*		1	
9		SS4080415SP		SCREW 1/8-44 L=4				*		1	
10		SS8080410TP		SCREW 1/8-44 L=3.5				*		2	
11		SM4040755SP		SCREW				*		1	
12		MAZ192040A0		CIRCUMFERENCE STOPPER ASM.						1	
13		MAZ19204000		CIRCUMFERENCE STOPPER				*		1	
14		D2527232D00		SLEEVE				*		1	
15		NM6050001SP		NUT M5				*		1	
16		RO040100210		O-RING				*		1	
17	D	12403457		CLOTHBASE COMPL.						1	
18	D	12405809		THREADING DIAGRAM						1	
19	D	12411005		FLYWHEEL						1	
20		SM6051600SP		SCREW M5 L=16						3	
21	D	12436309		LOOPER BALANCE(LEFT)						1	
22	D	12436408		LOOPER THREAD GUIDE(INNER)						1	
23	D	12436606		LOWER LOOPER THREAD GUIDE						1	
24	D	12436903		THREAD GUIDE(LEFT)						1	
25		SS3090610SP		SCREW 9/64-40 L=6						1	
26	D	12447603		THROATPLATEBASE						1	
27	D	R4200L2EE00		THROAT PLATE						1	
28		12476800		MAIN FEED DOG						1	
29	D	12479101		DIFFERENTIAL FEED DOG						1	

HOW TO MAKE USE OF THIS PARTS LIST

1.As to "#01" and "#02" refer to the "Note" given at the bottom of the respective pages.

2.Codes on the "Qty" column

- Each numeral indicates the number of parts required.
- "0.1" and "2.5" indicate the length (in meters) of the respective parts.

3.Parentheses mean that the corresponding part is a subpart that constructs an assembly part.

4.Dotted lines on the Figures indicate assembly parts.

1. リストページの# 0 1、# 0 2の印は、ページ下の"注記"の説明を参照下さい。
2. 数量欄の数字は、個数を表し、0. 1、2. 5等の数値は、長さ（単位メートル）を表します。
3. 数量欄の（ ）は、組部品を構成している子部品であることを意味します。
4. イラストページの-----枠は、組構成であることを意味します。

NUMERICAL INDEX OF PARTS

PART NO	PAGE	REF NO.
12403457	2	17
12405809	2	18
12411005	2	19
12436309	2	21
12436408	2	22
12436606	2	23
12436903	2	24
12447603	2	26
12476800	2	28
12479101	2	29
D2527232D00	2	14
MAZ08204000	2	4
MAZ08205000	2	5
MAZ08206000	2	6
MAZ08211000	2	7
MAZ08212000	2	8
MAZ192010A0	2	1
MAZ19202000	2	2
MAZ19203000	2	3
MAZ19204000	2	13
MAZ192040A0	2	12
NM6050001SP	2	15
R4200L2EE00	2	27
RO040100210	2	16
SM4040755SP	2	11
SM6051600SP	2	20
SS3090610SP	2	25
SS4080415SP	2	9
SS8080410TP	2	10