

MODEL : LK-1942

List No : 1286-00

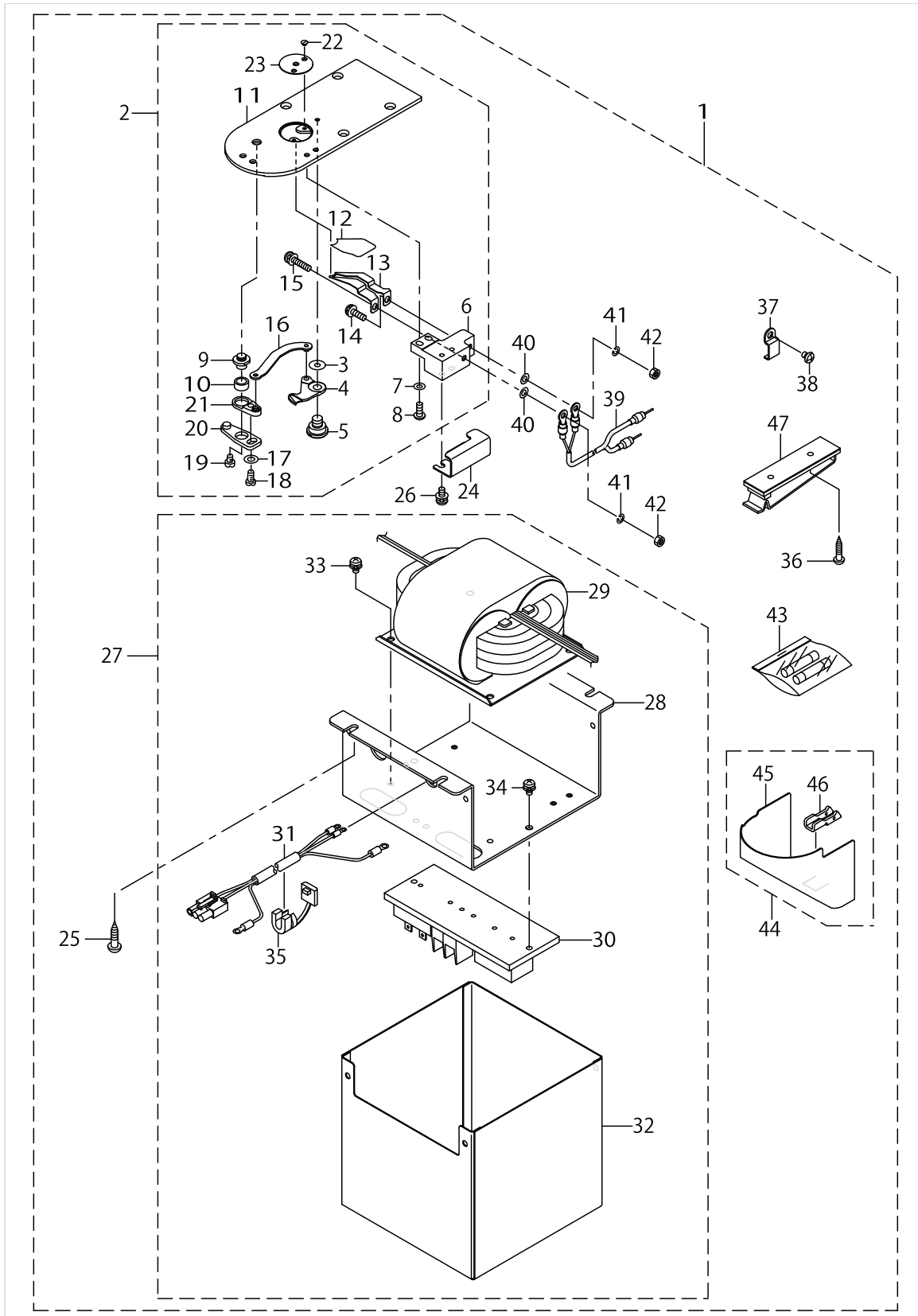
PARTS LIST

Published:05/12/2017

CONTENTS

HOT WIRE THREAD TRIMMER UNIT FOR LK-1942	1
HOW TO MAKE USE OF THIS PARTS LIST	5

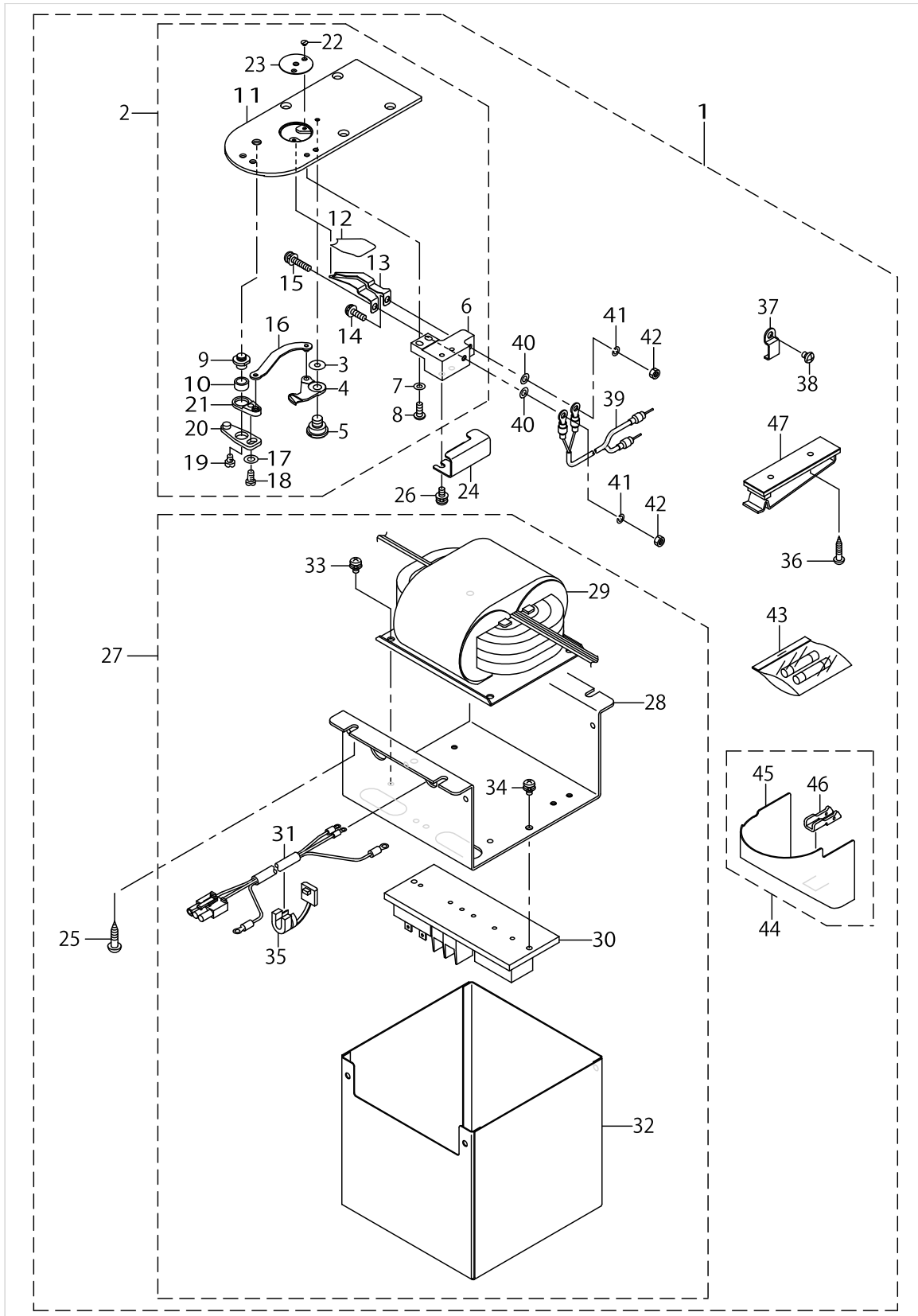
HOT WIRE THREAD TRIMMER UNIT FOR LK-1942



HOT WIRE THREAD TRIMMER UNIT FOR LK-1942

No.	Supply Code	Parts No.	Replacement	Parts name	Remarks	Choice	Step	Level	Cons	Qty	Rep. QTY
1		14447056		HOT WIRE THREAD TRIMMER UNIT						1	
2	R	14439350	40023523	THROAT PLATE ASM.				*		1	1.00
3		B242328000B		MOVING KNIFE WASHER B				*		1	
4		14441208		MOVING KNIFE				*		1	
5		B2417210000		MOVING KNIFE HINGE SCREW				*		1	
6	R	14441802	40022013	HOT WIRE BASE		A		*		1	1.00
6	R	14441802	SL4040681SC	HOT WIRE BASE		A		*		1	4.00
7		WP0371016SD		WASHER 3.7X8X1				*		2	
8		SS4091015SP		SCREW 9/64-40 L=10				*		2	
9		B2417280000		THREAD CUTTER LEVER SHAFT				*		1	
10		B2416280000		THREAD CUTTING LEVER RING				*		1	
11		14439103		NEEDLE PLATE				*		1	
12		14441703		INSULATING SEAT				*		1	
13	R	14441505	40022223	HOT WIRE PLATE				*		1	1.00
14		SL4041481SC		SCREW M4X0.7 L=14				*		1	
15		SL4042081SC		SCREW				*		1	
16		14440457		MOVING KNIFE LINK COMPL.				*		1	
17		WP0450846SP		WASHER				*		1	
18		SS7110740TP		SCREW 11/64-40 L=7				*		1	
19		SS6110430TP		SCREW 11/64-40 L= 4.0				*		1	
20		B24142800A0		THREAD CUTTER L- EVER ASM., LARG				*		1	
21		14440556		LEVER TYPE COMPL.				*		1	
22		SS1060210TP		SCREW 3/32-56 L=2.2				*		2	
23		14440002		ELLIPSE NEEDLE HOLE GUIDE				*		1	
24		14441901		HOT WIRE BASE COVER				*		1	
25		SK3482001SE		WOOD SCREW D=4.8 L=20				*		4	
26		SL4041091SC		SCREW M4 L=10				*		2	
27		M85215940A0		HEATER UNIT ASM.				*		1	
28		M1022594000		TRANSFORMER FITTING BASE				*		1	
29		M89025940A0		HEATER TRANSFORMER ASM.				*		1	
30		M85225940A0		HEATERSWITCHASM.				*		1	
31		M90215940A0		HEATER POWER SO- URCE CORD ASM.				*		1	
32		MAT00616000		CONTROL UNIT COVER				*		1	
33		SL4040881SF		SCREW M4 L=8				*		4	
34		SL4040881SF		SCREW M4 L=8				*		2	
35		HX004100000		BUSH				*		1	
36		SK3382001SE		SCREW D=3.8 L=20				*		2	
37		B3509210000		OIL TUBE HOLDER C				*		3	
38		SS4110515SP		SCREW 11/64-40 L=5				*		3	
39		14442255		HEATER CORD ASM.				*		1	
40		WP0430800SC		WASHER M4				*		2	
41		WS0410002KN		SPRING WASHER				*		2	
42		NM6040000SN		NUT M4				*		2	
43		M85995940A0		ACCESSORIE PART ASM.				*		1	
44		14435358		HOOK COVER ASM.				*		1	

HOT WIRE THREAD TRIMMER UNIT FOR LK-1942



HOT WIRE THREAD TRIMMER UNIT FOR LK-1942

No.	Supply Code	Parts No.	Replacement	Parts name	Remarks	Choice	Step	Level	Cons	Qty	Rep. QTY
45		14435309		HOOK COVER				*		1	
46		13508601		CYLINDER ARM CAP PLATE				*		1	
47		M964051000A		CABLE CLIP				*		1	

HOW TO MAKE USE OF THIS PARTS LIST

1.As to "#01" and "#02" refer to the "Note" given at the bottom of the respective pages.

2.Codes on the "Qty" column

- Each numeral indicates the number of parts required.
- "0.1" and "2.5" indicate the length (in meters) of the respective parts.

3.Parentheses mean that the corresponding part is a subpart that constructs an assembly part.

4.Dotted lines on the Figures indicate assembly parts.

1. リストページの# 0 1、# 0 2の印は、ページ下の"注記"の説明を参照下さい。
2. 数量欄の数字は、個数を表し、0. 1、2. 5等の数値は、長さ（単位メートル）を表します。
3. 数量欄の（ ）は、組部品を構成している子部品であることを意味します。
4. イラストページの-----枠は、組構成であることを意味します。

NUMERICAL INDEX OF PARTS

PART NO	PAGE	REF NO.	PART NO	PAGE	REF NO.
13508601	4	46	WS0410002KN	2	41
14435309	4	45			
14435358	2	44			
14439103	2	11			
14439350	2	2			
14440002	2	23			
14440457	2	16			
14440556	2	21			
14441208	2	4			
14441505	2	13			
14441703	2	12			
14441802	2	6			
14441901	2	24			
14442255	2	39			
14447056	2	1			
B24142800A0	2	20			
B2416280000	2	10			
B2417210000	2	5			
B2417280000	2	9			
B242328000B	2	3			
B3509210000	2	37			
HX004100000	2	35			
M1022594000	2	28			
M85215940A0	2	27			
M85225940A0	2	30			
M85995940A0	2	43			
M89025940A0	2	29			
M90215940A0	2	31			
M964051000A	4	47			
MAT00616000	2	32			
NM6040000SN	2	42			
SK3382001SE	2	36			
SK3482001SE	2	25			
SL4040881SF	2	34			
SL4041091SC	2	26			
SL4041481SC	2	14			
SL4042081SC	2	15			
SS1060210TP	2	22			
SS4091015SP	2	8			
SS4110515SP	2	38			
SS6110430TP	2	19			
SS7110740TP	2	18			
WP0371016SD	2	7			
WP0430800SC	2	40			
WP0450846SP	2	17			