

MODEL : MO-6104D SUBCLASSES

List No : 1354-00

PARTS LIST

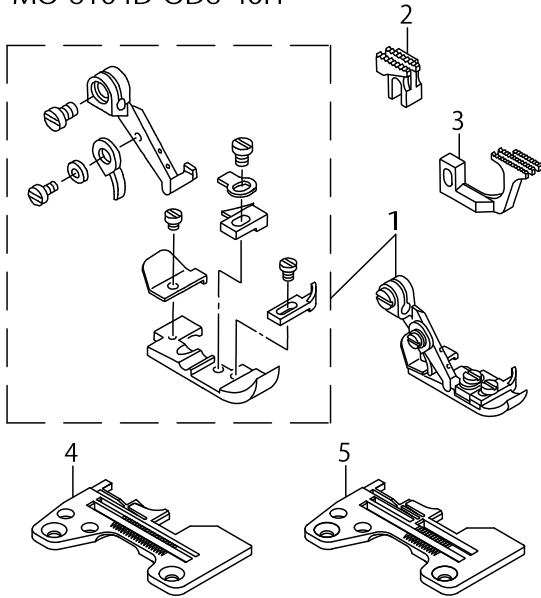
Published:05/12/2017

CONTENTS

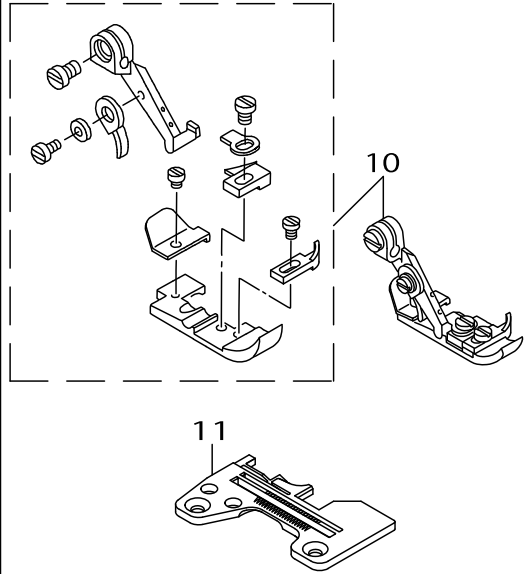
MO-6104D SUBCLASSES.....	1
HOW TO MAKE USE OF THIS PARTS LIST	3

MO-6104D SUBCLASSES

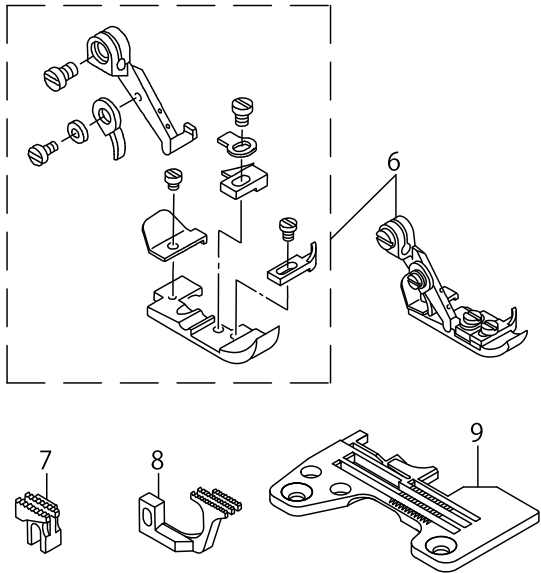
1.MO-6104D-0D4-40H
MO-6104D-0D6-40H



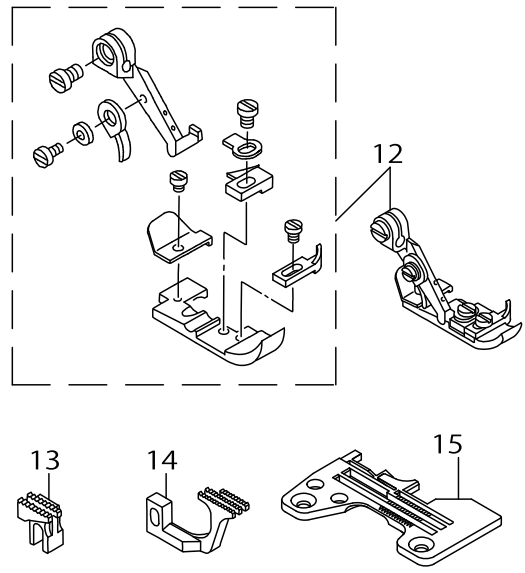
3.MO-6104D-0F4-40H



2.MO-6104D-0E6-40H



4.MO-6104D-0F6-40H



MO-6104D SUBCLASSES

No.	Supply Code	Parts No.	Replacement	Parts name	Remarks	Choice	Step	Level	Cons	Qty	Rep. QTY
1	R	11876356	11876364	PRESSER FOOT ASM.	FOR MO-6-104D-0D6-40H					1	1.00
2		11882206		MAIN FEED DOG	FOR MO-6-104D-0D6-40H					1	
3		11885100		DIFFERENTIAL FEED DOG	FOR MO-6-104D-0D6-40H					1	
4		R4200J6DD00		THROAT PLATE	FOR MO-6-104D-0D4-40H					1	
5		R4300J6DE00		THROAT PLATE	FOR MO-6-104D-0D6-40H					1	
6	R	11876356	11876364	PRESSER FOOT ASM.						1	1.00
7		11882206		MAIN FEED DOG						1	
8		11885100		DIFFERENTIAL FEED DOG						1	
9		R4300J6EE00		THROAT PLATE						1	
10	R	11876257	11876265	PRESSER FOOT ASM.						1	1.00
11		R4200J6FD00		THROAT PLATE						1	
12		11876455		PRESSER FOOT ASM.						1	
13		11882206		MAIN FEED DOG						1	
14		11885100		DIFFERENTIAL FEED DOG						1	
15		R4300J6FE0B		THROAT PLATE						1	

HOW TO MAKE USE OF THIS PARTS LIST

1.As to "#01" and "#02" refer to the "Note" given at the bottom of the respective pages.

2.Codes on the "Qty" column

- Each numeral indicates the number of parts required.
- "0.1" and "2.5" indicate the length (in meters) of the respective parts.

3.Parentheses mean that the corresponding part is a subpart that constructs an assembly part.

4.Dotted lines on the Figures indicate assembly parts.

1. リストページの# 0 1、# 0 2の印は、ページ下の"注記"の説明を参照下さい。
2. 数量欄の数字は、個数を表し、0. 1、2. 5等の数値は、長さ（単位メートル）を表します。
3. 数量欄の（ ）は、組部品を構成している子部品であることを意味します。
4. イラストページの-----枠は、組構成であることを意味します。

NUMERICAL INDEX OF PARTS

PART NO	PAGE	REF NO.
11876257	2	10
11876356	2	6
11876455	2	12
11882206	2	13
11885100	2	14
R4200J6DD00	2	4
R4200J6FD00	2	11
R4300J6DE00	2	5
R4300J6EE00	2	9
R4300J6FE0B	2	15