

MODEL : MO-6900G SUBCLASSES

List No : 1365-02

# PARTS LIST

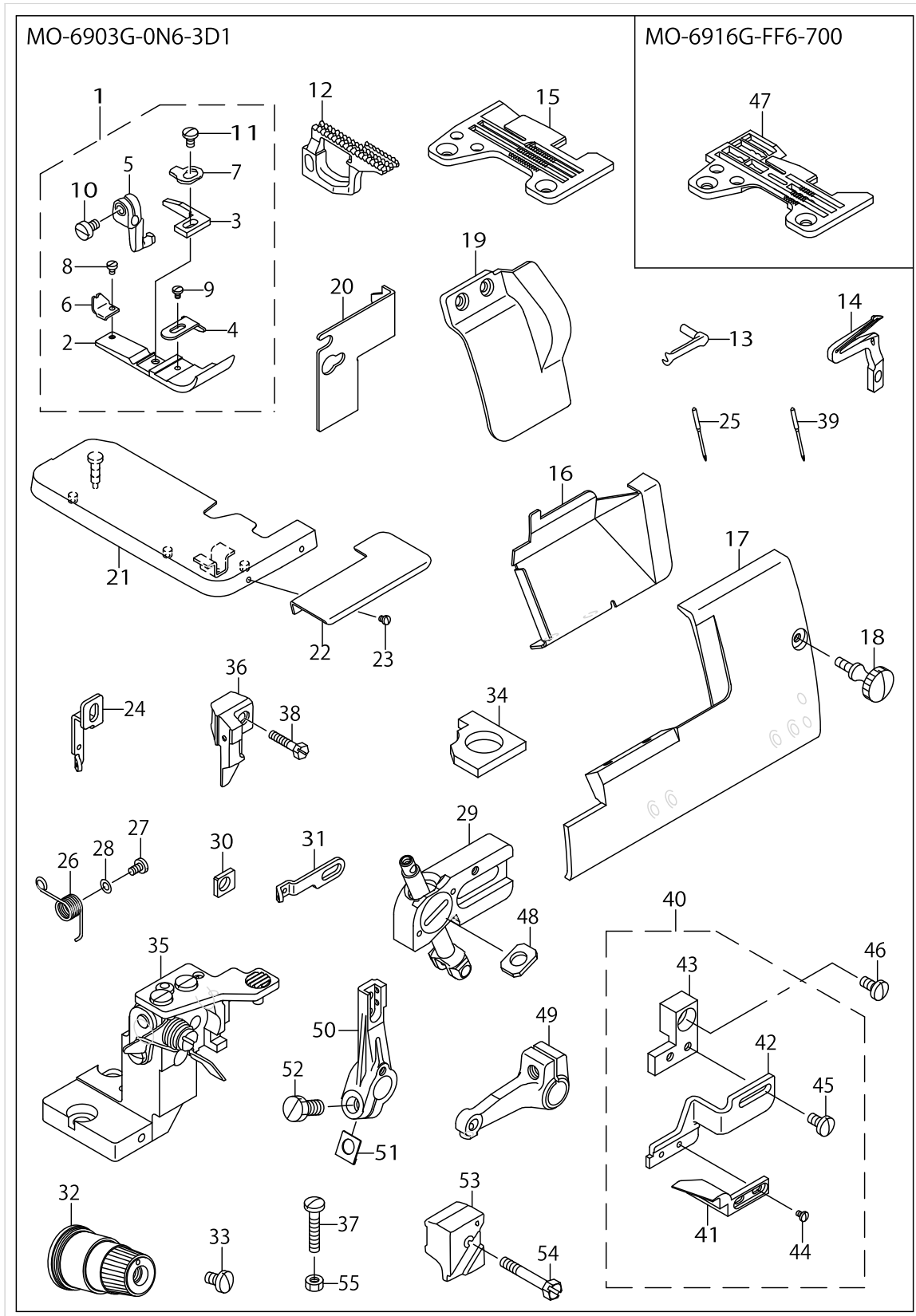
Published:05/12/2017

## CONTENTS

---

MO-6900G SUBCLASSES (1).....	1
MO-6900G SUBCLASSES (2).....	5
HOW TO MAKE USE OF THIS PARTS LIST .....	9

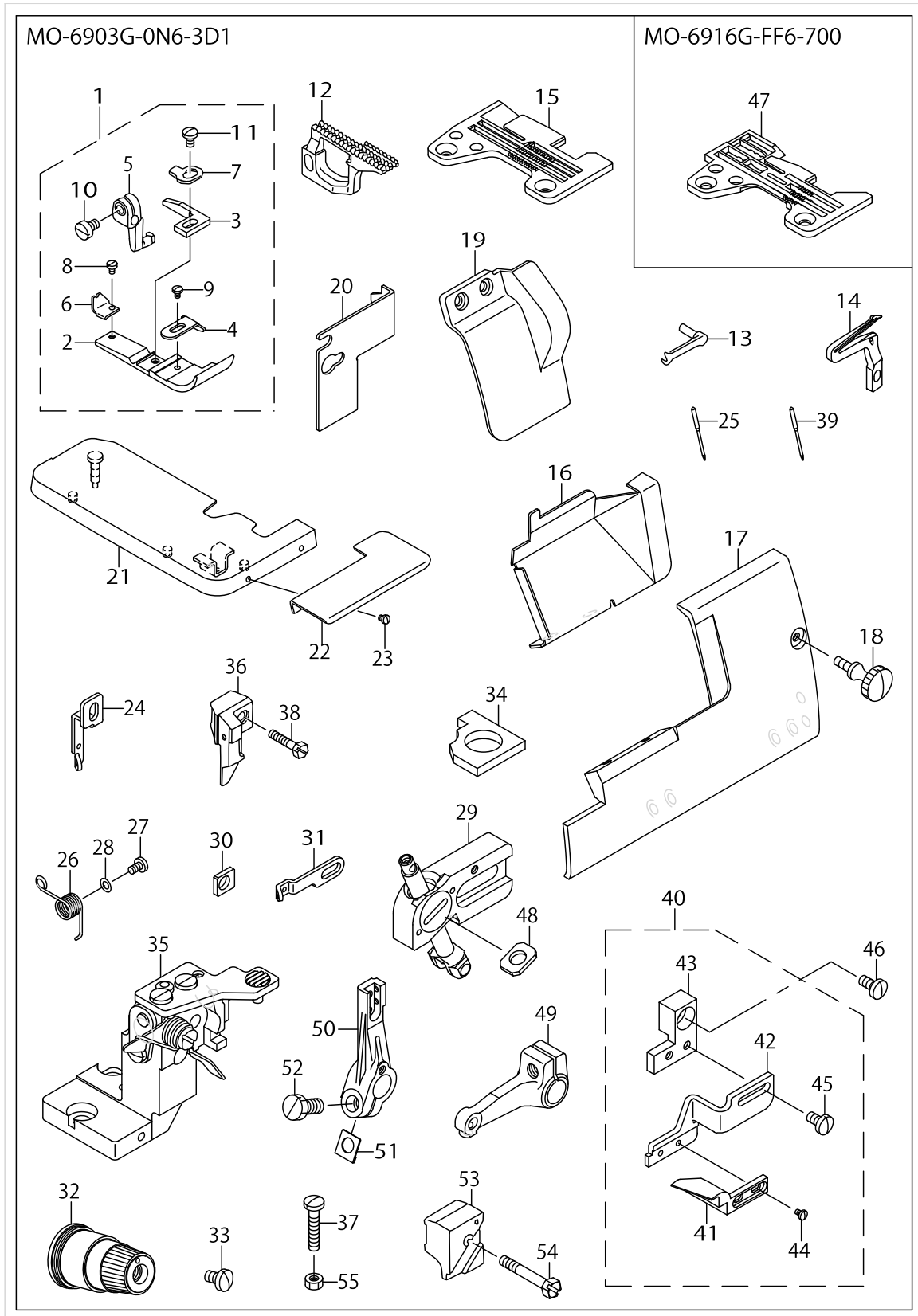
MO-6900G SUBCLASSES (1)



MO-6900G SUBCLASSES (1)

No.	Supply Code	Parts No.	Replacement	Parts name	Remarks	Choice	Step	Level	Cons	Qty	Rep. QTY
1		12381554		PRESSER FOOT ASM.						1	
2	R	12012704	12012761	PRESSER FOOT				*		1	1.00
3		12381505		STITCH TONGUE				*		1	
4		12012902		CLOTH PRESSER				*		1	
5		11651304		PRESSER FOOT HINGE				*		1	
6		11693801		REAR PRESSER PLATE				*		1	
7		B1508804000		SPRING				*		1	
8		SS6060340SP		SCREW 3/32-56 L=2.5				*		1	
9		SS7060310SP		SCREW 3/32-56 L=3				*		1	
10		SS6090670TP		SCREW 9/64-40 L=6				*		1	
11		SS7080520SP		SCREW 1/8-44 L=4.9				*		1	
12		12013504		FEED DOG						1	
13		12014817		UPPER HOOK LOOPER						1	
14		12384301		LOWER LOOPER						1	
15		R4300J6NJ00		NEEDLE PLATE						1	
16		12379707		CHIP GUARD COVER						1	
17	R	12371308	13105903	LOOPER COVER						1	1.00
18		B2549372000		CLAMP SCREW A						1	
19		13201306		SAFETY PLATE						1	
20		13101605		CLOTH WASTE COVER , LEFT						1	
21		13106455		CLOTH PLATE COMPL.						1	
22		12006813		CLOTH GUIDE BASE	ACCESSO- RIES PARTS					1	
23		SS7110510SP		SCREW 11/64-40 L=5	ACCESSO- RIES PARTS					2	
24		12372504		NEEDLE THREAD BALANCE GUIDE						1	
25		MDO500S1600		DOX5 S #16S						1	
26		40023562		TORSION SPRING						1	
27		SS7080520SP		SCREW 1/8-44 L=4.9						1	
28		WP0320500SD		M3 WASHER						1	
29		40026019		GUIDE SUPPORT ASM.						1	
30		12375606		GUIDE SUPPORT GAUGE						1	
31		12376000		LOOPER BALANCE (RIGHT)						1	
32		13138656		THREAD TENSION SPRING COMPL.						2	
33		SS7110710SL		SCREW 11/64-40 L=7.0						1	
34		13229802		OIL FELT B						1	
35		12377586		LOWER KNIFE BRACKET ASM.						1	
36		12004800		UPPER KNIFE SUPPORT	EXCEPT JE					1	
37		SS7090510SP		SCREW 9/64-40 L=4.6	FOR JE					1	
38		SS6111610SP		SCREW 11/64-40 L=16	EXCEPT JE					1	
39		MDO500S1604		NEEDLE DOX5 S #16S-4	ACCESSO- RIES PARTS					1	
40		13244256		SUPPORT CLICK ASM.						1	
41		12382107		SUPPORT CLICK				*		1	
42		13244306		SUPPORT CLICK BASE				*		1	
43	R	13244405	13244553	SUPPORT CLICK FITTING PLATE				*		1	1.00
44		SS7060310SP		SCREW 3/32-56 L=3				*		2	
45		SS7090710SP		SCREW 9/64-40 L=6.8				*		2	

MO-6900G SUBCLASSES (1)

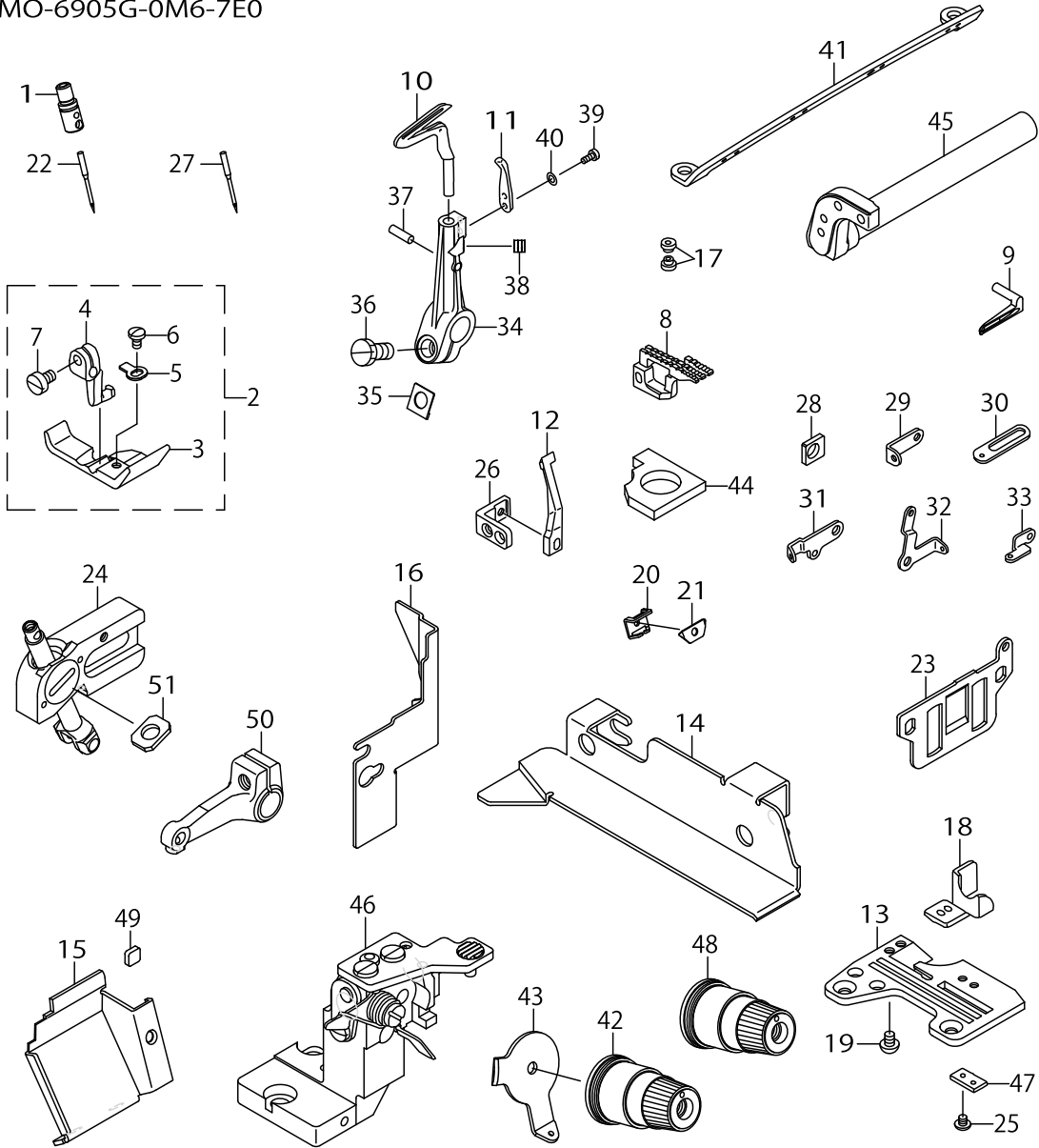


MO-6900G SUBCLASSES (1)

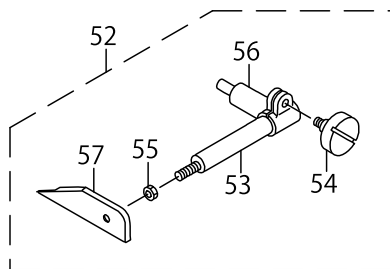
No.	Supply Code	Parts No.	Replacement	Parts name	Remarks	Choice	Step	Level	Cons	Qty	Rep. QTY
46		SS7110840SP		SCREW 11/64-40 L=7.8						1	
47		R4612J6FL00		NEEDLE PLATE						1	
48		40011234		DUST SEALING FELT						1	
49		13221205		UPPER LOOPER ARM						1	
50		40019571		LOWER LOOPER SUPPORT ARM						1	
51		13129309		WASHER						1	
52		SS9151210TP		SCREW 15/64-28 L=11.8						1	
53		11565405		UPPER KNIFE SUPPORT	FOR JE					1	
54		SS9112420TP		SCREW 11/64-40 L=24	FOR JE					1	
55		NS6090310TP		NUT	FOR JE					1	

MO-6900G SUBCLASSES (2)

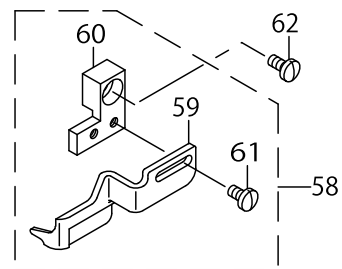
MO-6905G-0M6-700  
MO-6905G-0M6-7E0



MO-6905G-0M6-700



MO-6905G-0M6-7E0



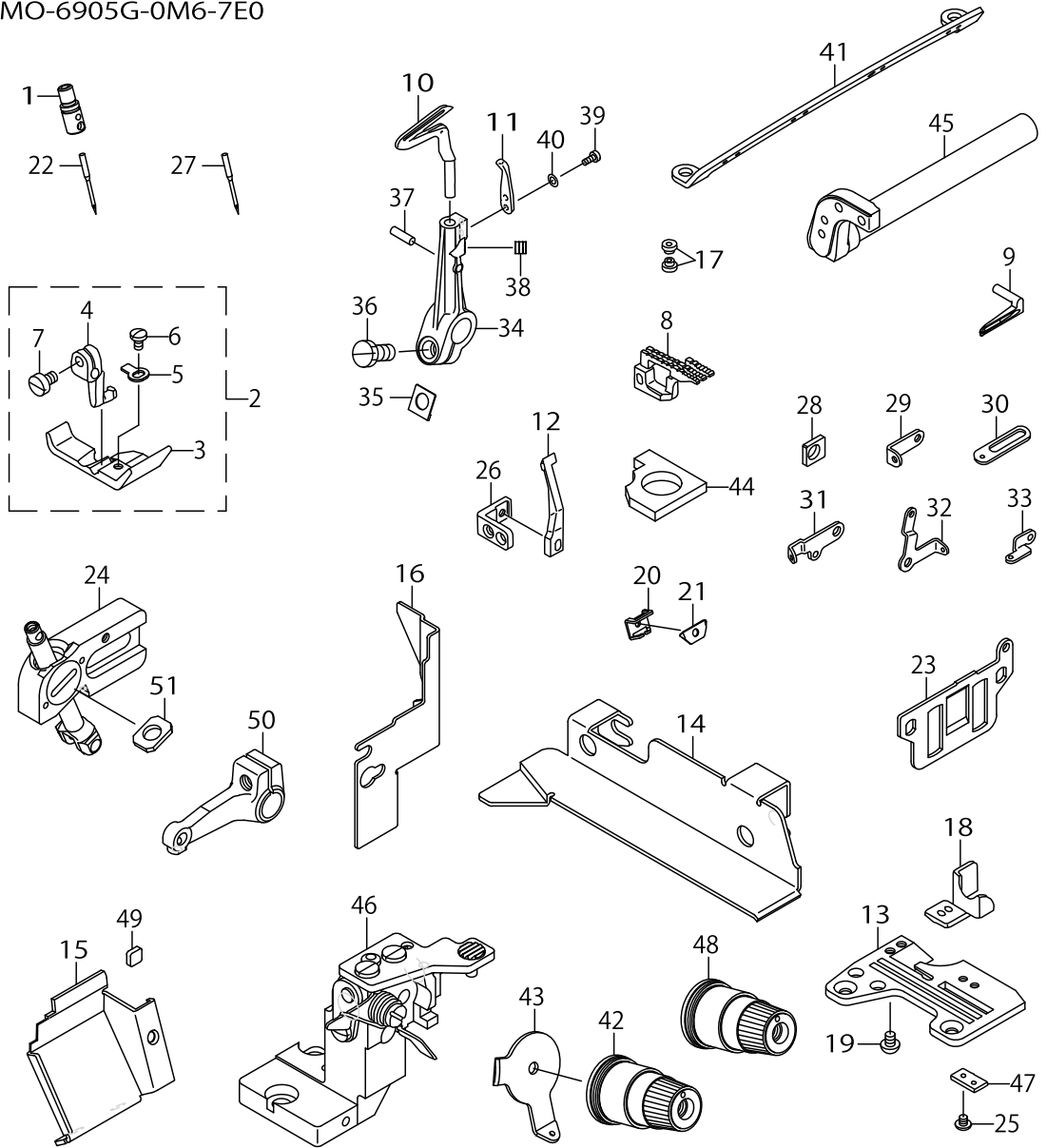
## MO-6900G SUBCLASSES (2)

No.	Supply Code	Parts No.	Replacement	Parts name	Remarks	Choice	Step	Level	Cons	Qty	Rep. QTY
1		13255302		NEEDLE CLAMP, 1-NEEDLE						1	
2		12381653		PRESSER FOOT ASM.						1	
3		12381604		PRESSER FOOT				*		1	
4		11651304		PRESSER FOOT HINGE				*		1	
5		B150880400B		SPRING				*		1	
6		SS7080520SP		SCREW 1/8-44 L=4.9				*		1	
7		SS6090670TP		SCREW 9/64-40 L=6				*		1	
8		11681004		FEED DOG						1	
9		12383709		UPPER LOOPER						1	
10		11544905		LOWER LOOPER						1	
11		11566908		TRAVELING NEEDLE GUARD						1	
12		11681400		NEEDLE GUARD						1	
13		R4300J6MQ00		NEEDLE PLATE						1	
14		12371407		CLOTH PLATE SIDE COVER						1	
15		13105705		CHIP CUARD COVER						1	
16		13105804		CHIP CUARD COVER, LEFT						1	
17		YE0450510MB		UPPER LOOPER THREAD GUIDE						2	
18		11681715		UPPER LOOPER COVER						1	
19		SS3090520SP		SCREW 9/64-40 L=4.5						2	
20		13210406		PRESSER THREAD GUIDE						1	
21		13210505		NEEDLE THREAD PRESSER PLATE						1	
22		MDC100B2400		NEEDLE DCX1 #24						1	
23		13217203		NEEDLE THREAD SUPPORT						1	
24		40026019		GUIDE SUPPORT ASM.						1	
25		SS4080310SP		SCREW 1/8-44 L=3.4						2	
26		12008603		NEEDLE GUARD HOLDER						1	
27	D	MDC100B2404		NEEDLE DCX1 #24-4	ACCESSO- RIES PARTS					1	
28		12375606		SUPPORT GAUGE						1	
29		12008009		LOOPER THREAD GUIDE						1	
30		12008306		LOOPER THREAD GUIDE, RIGHT						1	
31		12008108		LOOPER THREAD T- AKE-UP, RIGHT						1	
32		12008207		LOOPER THREAD TAKE-UP, LEFT						1	
33		11691607		UPPER LOOPER THREAD GUIDE						1	
34		12375804		LOWER LOOPER SUPPORT ARM						1	
35		13129309		WASHER						1	
36		SS9151210TP		SCREW 15/64-28 L=11.8						1	
37		PS0300102KH		SPRING PIN 3X10						1	
38		SS8110422TP		SCREW 11/64-40 L=4						1	
39		SS6060510TP		SCREW 3/32-56 L=4.5						2	
40		WP0280500SC		WASHER						2	
41		13225404		CENTER THREAD GUIDE						1	
42		13138656		THREAD TENSION SPRING COMPL.						1	
43		13225503		TESION DISK THREAD GUIDE						1	
44		13229802		OIL FELT B						1	
45		12378600		KNIFE ARM SHAFT						1	

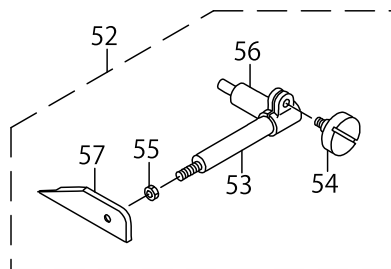


MO-6900G SUBCLASSES (2)

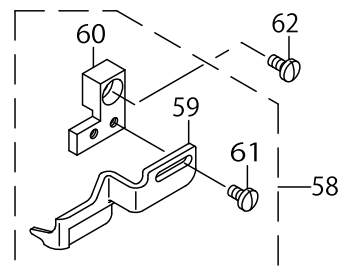
MO-6905G-0M6-700  
MO-6905G-0M6-7E0



MO-6905G-0M6-700



MO-6905G-0M6-7E0



MO-6900G SUBCLASSES (2)

No.	Supply Code	Parts No.	Replacement	Parts name	Remarks	Choice	Step	Level	Cons	Qty	Rep. QTY
46		12377594		LOWER KNIFE BRACKET ASM.						1	
47		11681905		NEEDLE GUARD SUPPORT PLATE						1	
48		13140652		THREAD TENSION SPRING COMPL.						1	
49		40032602		SPACE PLATE						1	
50		13221205		UPPER LOOPER ARM						1	
51		40011234		DUST SEALING FELT						1	
52		11690450		CLOTH GUIDE ASM.						1	
53		11691003		CLOTH GUIDE SHAFT				*		1	
54		MAT80110L00		CLAMP SCREW				*		1	
55		NS6110310SP		NUT 11/64-40				*		1	
56		MAT80109L00		SUPPORTER				*		1	
57		11690401		CLOTH GUIDE				*		1	
58		13244553		SUPPORTCLICKASM.						1	
59	R	13244504	13244553	SUPPORT CLICK				*		1	1.00
60	R	13244405	13244553	SUPPORT CLICK FITTING PLATE				*		1	1.00
61		SS7090710SP		SCREW 9/64-40 L=6.8				*		2	
62		SS7110840SP		SCREW 11/64-40 L=7.8						1	

## HOW TO MAKE USE OF THIS PARTS LIST

1.As to "#01" and "#02" refer to the "Note" given at the bottom of the respective pages.

2.Codes on the "Qty" column

- Each numeral indicates the number of parts required.
- "0.1" and "2.5" indicate the length (in meters) of the respective parts.

3.Parentheses mean that the corresponding part is a subpart that constructs an assembly part.

4.Dotted lines on the Figures indicate assembly parts.

1. リストページの# 0 1、# 0 2の印は、ページ下の"注記"の説明を参照下さい。
2. 数量欄の数字は、個数を表し、0. 1、2. 5等の数値は、長さ（単位メートル）を表します。
3. 数量欄の（ ）は、組部品を構成している子部品であることを意味します。
4. イラストページの-----枠は、組構成であることを意味します。

NUMERICAL INDEX OF PARTS

PART NO	PAGE	REF NO.	PART NO	PAGE	REF NO.	PART NO	PAGE	REF NO.
11544905	6	10	13105804	6	16	R4612J6FL00	4	47
11565405	4	53	13106455	2	21	SS3090520SP	6	19
11566908	6	11	13129309	4	51	SS4080310SP	6	25
11651304	2	5	13129309	6	35	SS6060340SP	2	8
11651304	6	4	13138656	2	32	SS6060510TP	6	39
11681004	6	8	13138656	6	42	SS6090670TP	2	10
11681400	6	12	13140652	8	48	SS6090670TP	6	7
11681715	6	18	13201306	2	19	SS6111610SP	2	38
11681905	8	47	13210406	6	20	SS7060310SP	2	44
11690401	8	57	13210505	6	21	SS7080520SP	2	27
11690450	8	52	13217203	6	23	SS7080520SP	6	6
11691003	8	53	13221205	4	49	SS7090510SP	2	37
11691607	6	33	13221205	8	50	SS7090710SP	2	45
11693801	2	6	13225404	6	41	SS7090710SP	8	61
12004800	2	36	13225503	6	43	SS7110510SP	2	23
12006813	2	22	13229802	2	34	SS7110710SL	2	33
12008009	6	29	13229802	6	44	SS7110840SP	4	46
12008108	6	31	13244256	2	40	SS7110840SP	8	62
12008207	6	32	13244306	2	42	SS8110422TP	6	38
12008306	6	30	13244405	2	43	SS9112420TP	4	54
12008603	6	26	13244405	8	60	SS9151210TP	4	52
12012704	2	2	13244504	8	59	SS9151210TP	6	36
12012902	2	4	13244553	8	58	WP0280500SC	6	40
12013504	2	12	13255302	6	1	WP0320500SD	2	28
12014817	2	13	40011234	4	48	YE0450510MB	6	17
12371308	2	17	40011234	8	51			
12371407	6	14	40019571	4	50			
12372504	2	24	40023562	2	26			
12375606	2	30	40026019	2	29			
12375606	6	28	40026019	6	24			
12375804	6	34	40032602	8	49			
12376000	2	31	B1508804000	2	7			
12377586	2	35	B150880400B	6	5			
12377594	8	46	B2549372000	2	18			
12378600	6	45	MAT80109L00	8	56			
12379707	2	16	MAT80110L00	8	54			
12381505	2	3	MDC100B2400	6	22			
12381554	2	1	MDC100B2404	6	27			
12381604	6	3	MDO500S1600	2	25			
12381653	6	2	MDO500S1604	2	39			
12382107	2	41	NS6090310TP	4	55			
12383709	6	9	NS6110310SP	8	55			
12384301	2	14	PS0300102KH	6	37			
13101605	2	20	R4300J6MQ00	6	13			
13105705	6	15	R4300J6NJ00	2	15			