

MODEL : SS10/SS11

List No : 1397-06

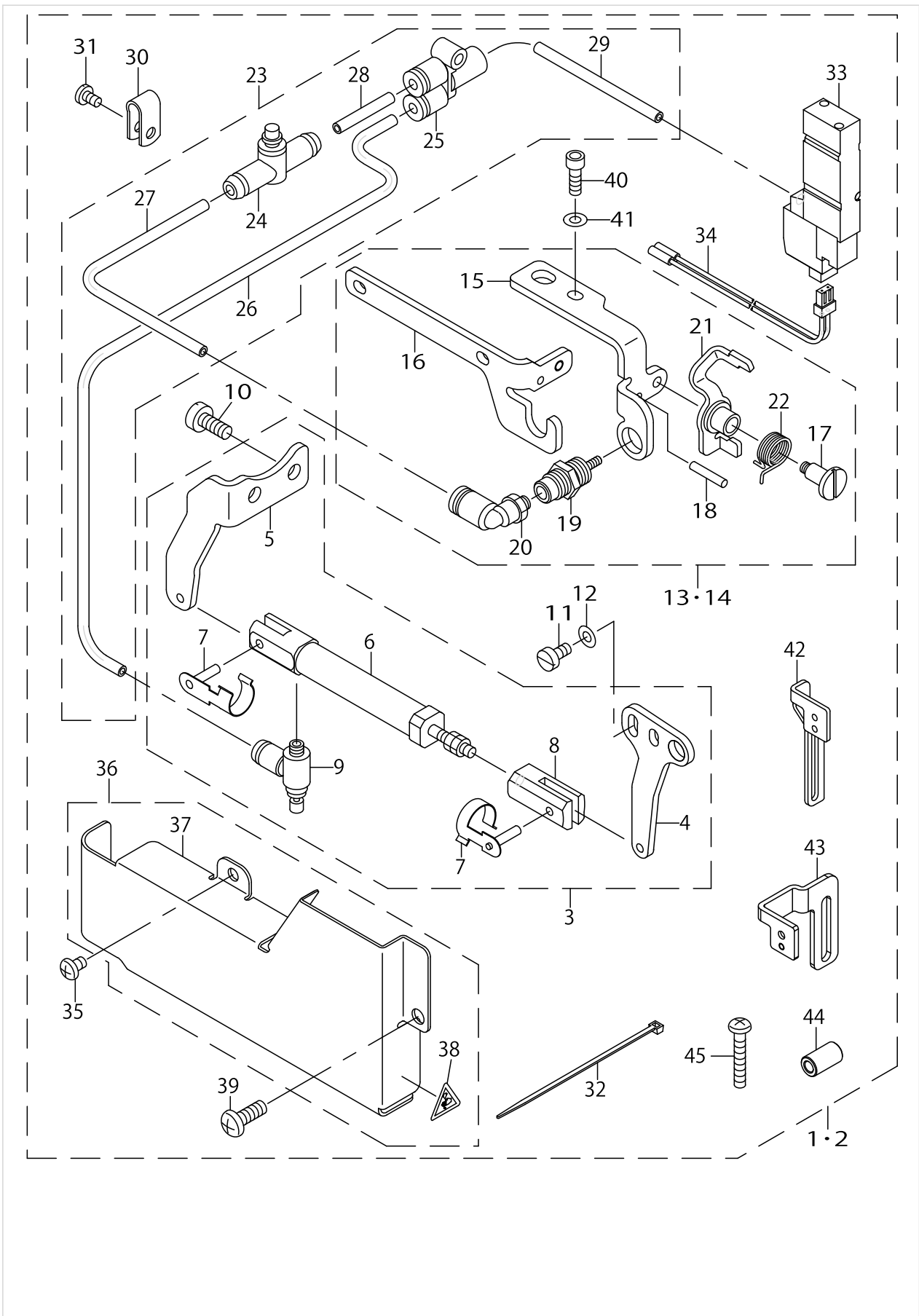
PARTS LIST

Published:05/12/2017

CONTENTS

SHORT STITCH DEVICE.....	1
HOW TO MAKE USE OF THIS PARTS LIST	7

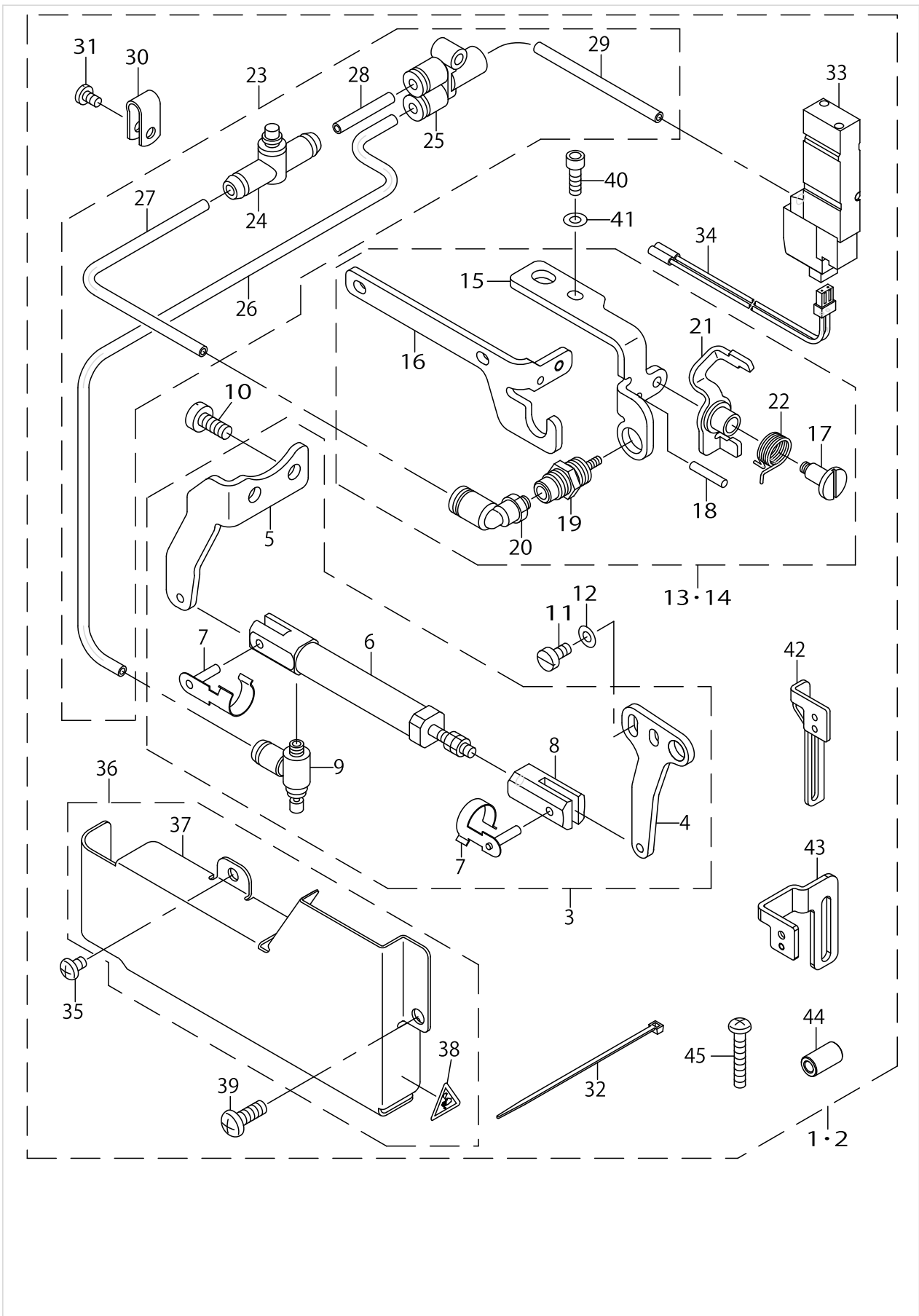
SHORT STITCH DEVICE



SHORT STITCH DEVICE

No.	Supply Code	Parts No.	Replacement	Parts name	Remarks	Choice	Step	Level	Cons	Qty	Rep. QTY
1		40020184		SS10 SHORT STITCH ASSY	FOR SS10					1	
2		70004231		SS11 SHORT STITCH ASSY	FOR SS11 70004376 (- DOCUMENTS CONTA- IN) 7000- 4292 (No. . 19シリン ダー含まな い) 7000- 4467 (No. . 19シリン ダー含む) 70004292 (- No. 19 CYL- INDERS A- RE NOT IN 70004467 (- No. 19 CYL- INDERS A- RE INCLUD					1	
3		40020187		SS LEVER UNIT				*		1	
4		40019869		SS LEVER				*		1	
5		40019870		SS CYLINDER BKT				*		1	
6		PA1002009B0		AIR CYLINDER				*		1	
7		PX500005000		CYLINDER MOVING BASE				*		1	
8		PX500006000		Y-SHAPE NUCKLE				*		2	
9		PC010508000		SPEED CONTROLLER				*		1	
10		SM6051200TP		SCREW				*		2	
11		SM6040800SP		SCREW				*		2	
12		WP0450826SC		WASHER 4.5X10X0.8				*		2	
13		40020188		SS TAKE UP UNIT	FOR SS10			*		1	
14		70004229		SS TAKE UP UNIT	FOR SS11 70004376 (- DOCUMENTS CONTA- IN) 7000- 4292 (No. . 19シリン ダー含まな い) 7000- 4467 (No. . 19シリン ダー含む) 70004292 (- No. 19 CYL- INDERS A- RE NOT IN 70004467 (- No. 19 CYL- INDERS A- RE INCLUD			*		1	
15		40019874		SS TAKE UP BASE	FOR SS10			*		1	

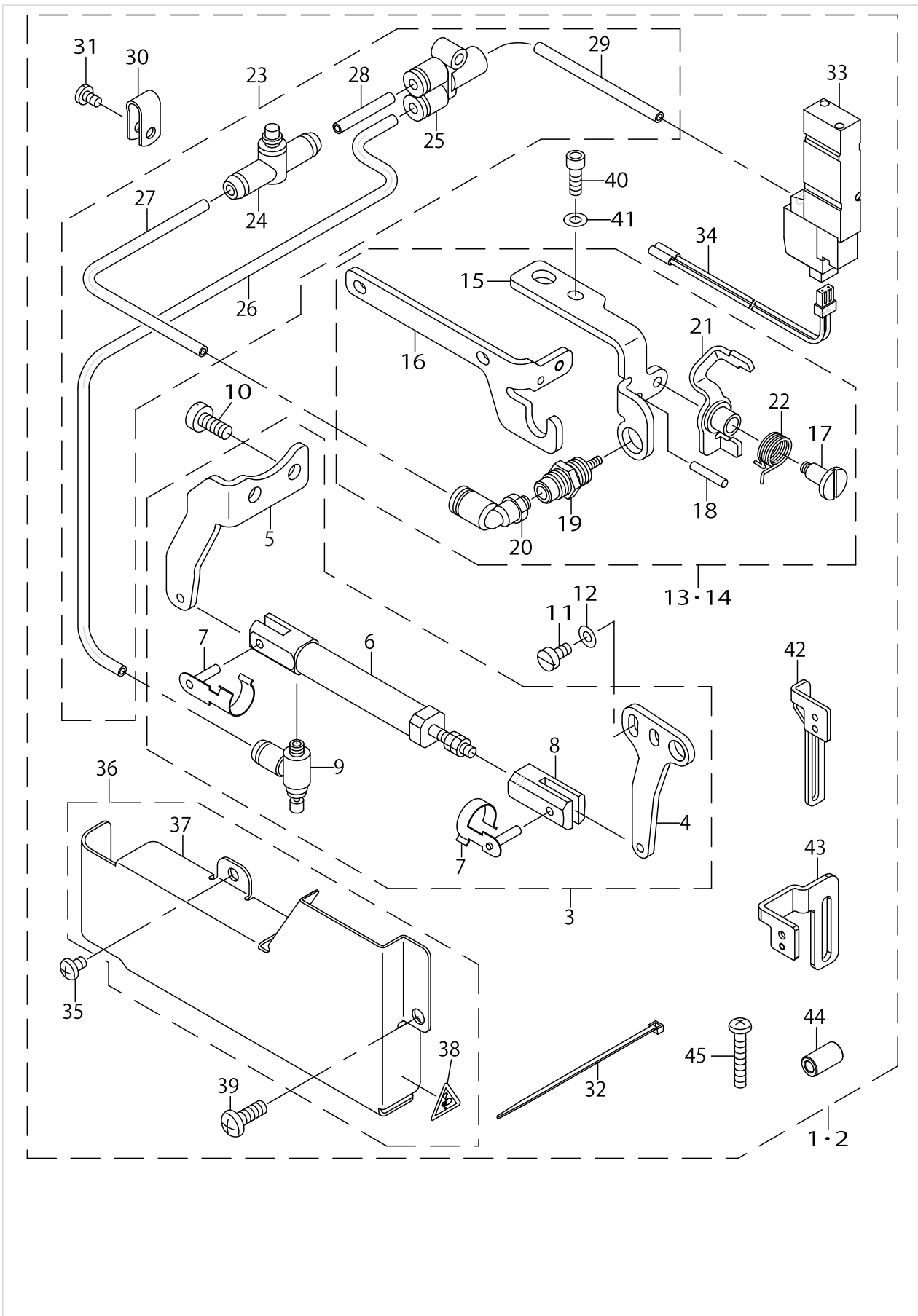
SHORT STITCH DEVICE



SHORT STITCH DEVICE

No.	Supply Code	Parts No.	Replacement	Parts name	Remarks	Choice	Step	Level	Cons	Qty	Rep. QTY
16		70004217		SS TAKE UP BASE	FOR SS11 70004376 (- DOCUMENT- TS CONTA- IN) 7000- 4292 (No- . 19シリン- ダー含まな- い) 7000- 4467 (No- . 19シリン- ダー含む) 70004292 (- No. 19 CYL- INDERS A- RE NOT IN 70004467 (- No. 19 CYL- INDERS A- RE INCLUD			*		1	
17		SD0601006TP		SHOULDER SCREW D=6 H=10				*		1	
18		PS0300162KH		SPRING PIN 3X16				*		1	
19		PA0600504A0		AIR CYLINDER				*		1	
20		PJ304040504		ELBOW UNION				*		1	
21		40019871		SS TAKE UP ASM.				*		1	
22		40019875		SS TAKE UP SPRING				*		1	
23		40020223		SS AIR HOSE ASM.				*		1	
24		PC012406000		SPEED CONTROLLER				*		1	
26		BT0400251EB		URETHANE HOSE, BLACK				*		0.5	
25		PJ308040002		QUICK COUPLING				*		1	
27		BT0400251EB		URETHANE HOSE, BLACK				*		0.16	
28		BT0400251EB		URETHANE HOSE, BLACK				*		0.36	
29		BT0400251EB		URETHANE HOSE, BLACK				*		0.08	
30		HX00150000A		CABLE CLAMP				*		1	
31		SM4040655SP		SCREW M4 L=6				*		1	
32		EA9500B0100		CABLE BAND				*		4	
33	R	PV150103100	PV150103200	5-PORT SOLENOID VALVE				*		1	1.00
34		40019877		SS CABLE ASM.				*		1	
35		SM4040655SP		SCREW M4 L=6				*		1	
36		40030059		SS COVER ASSY				*		1	
37		40019868		SS COVER				*		1	
38		CM300200001		ATTENTION SEAL				*		1	
39		SM4051455SP		SCREW M5 L=14				*		1	
40		SM6041202TP		SCREW M4X0.7 L=12	FOR SS10			*		1	
41		WP0482086SD		WASHER 4.8X11.5X2	FOR SS10			*		1	
42		40019876		SS THD STRIKE OFF	FOR SS10			*		1	

SHORT STITCH DEVICE



SHORT STITCH DEVICE

No.	Supply Code	Parts No.	Replacement	Parts name	Remarks	Choice	Step	Level	Cons	Qty	Rep. QTY
43		70004214		NDL THD STRIKE OFF	FOR SS11 70004376 (- DOCUMENTS CONTAIN) 7000- 4292 (No. . 19シリン ダー含まな い) 7000- 4467 (No. . 19シリン ダー含む) 70004292 (- No. 19 CYL- INDERS A- RE NOT IN 70004467 (- No. 19 CYL- INDERS A- RE INCLUD			*		1	
44		70004215		SPACER	FOR SS11 70004376 (- DOCUMENTS CONTAIN) 7000- 4292 (No. . 19シリン ダー含まな い) 7000- 4467 (No. . 19シリン ダー含む) 70004292 (- No. 19 CYL- INDERS A- RE NOT IN 70004467 (- No. 19 CYL- INDERS A- RE INCLUD			*		2	
45		SM4042555SP		SCREW M4 L=25	FOR SS11 70004376 (- DOCUMENTS CONTAIN) 7000- 4292 (No. . 19シリン ダー含まな い) 7000- 4467 (No. . 19シリン ダー含む) 70004292 (- No. 19 CYL- INDERS A- RE NOT IN 70004467 (- No. 19 CYL- INDERS A- RE INCLUD			*		2	

HOW TO MAKE USE OF THIS PARTS LIST

1.As to "#01" and "#02" refer to the "Note" given at the bottom of the respective pages.

2.Codes on the "Qty" column

- Each numeral indicates the number of parts required.
- "0.1" and "2.5" indicate the length (in meters) of the respective parts.

3.Parentheses mean that the corresponding part is a subpart that constructs an assembly part.

4.Dotted lines on the Figures indicate assembly parts.

1. リストページの# 0 1、# 0 2の印は、ページ下の"注記"の説明を参照下さい。
2. 数量欄の数字は、個数を表し、0. 1、2. 5等の数値は、長さ（単位メートル）を表します。
3. 数量欄の（ ）は、組部品を構成している子部品であることを意味します。
4. イラストページの-----枠は、組構成であることを意味します。

SS11 単体出荷注文用品番：70004376（ドキュメント類含む）

SS11 SIMPLE SUBSTANCE SHIPMENT ORDER ARTICLE WATCH
70004376(DOCUMENTS CONTAIN)

SS10⇒SS11 改造用部品注文用品番
70004292（No. 19 シリンダ\M+18100[含まない]
70004467（No. 19 シリンダー含む）

SS10⇒SS11 PART ORDER ARTICLE WATCH FOR RECONSTRUCTION
70004292(No.19 CYLINDERS ARE NOT INCLUDED)
70004467(No.19 CYLINDERS ARE INCLUDED)

NUMERICAL INDEX OF PARTS

PART NO	PAGE	REF NO.
40019868	4	37
40019869	2	4
40019870	2	5
40019871	4	21
40019874	2	15
40019875	4	22
40019876	4	42
40019877	4	34
40020184	2	1·2
40020187	2	3
40020188	2	13·14
40020223	4	23
40030059	4	36
70004214	6	43
70004215	6	44
70004217	4	16
70004229	2	13·14
70004231	2	1·2
BT0400251EB	4	29
CM300200001	4	38
EA9500B0100	4	32
HX00150000A	4	30
PA0600504A0	4	19
PA1002009B0	2	6
PC010508000	2	9
PC012406000	4	24
PJ304040504	4	20
PJ308040002	4	25
PS0300162KH	4	18
PV150103100	4	33
PX500005000	2	7
PX500006000	2	8
SD0601006TP	4	17
SM4040655SP	4	35
SM4042555SP	6	45
SM4051455SP	4	39
SM6040800SP	2	11
SM6041202TP	4	40
SM6051200TP	2	10
WP0450826SC	2	12
WP0482086SD	4	41