

MODEL : MT01  
List No : 1451-03

# PARTS LIST

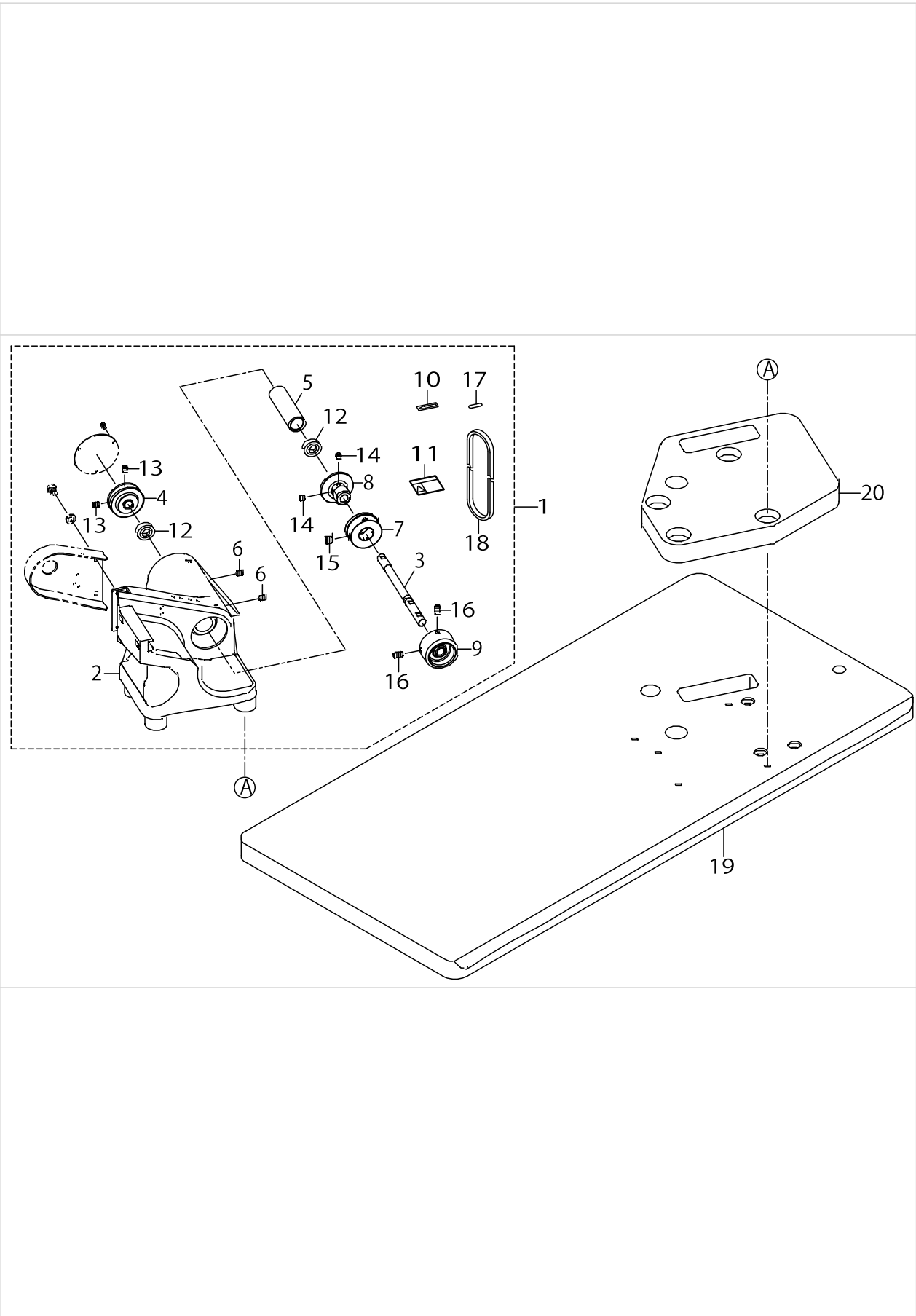
Published:05/12/2017

## CONTENTS

---

DEVICE COMPONENTS .....	1
ACCESSORY PARTS COMPONENTS .....	3
OPTION COMPONENTS (FOR SC-510).....	5
HOW TO MAKE USE OF THIS PARTS LIST .....	7

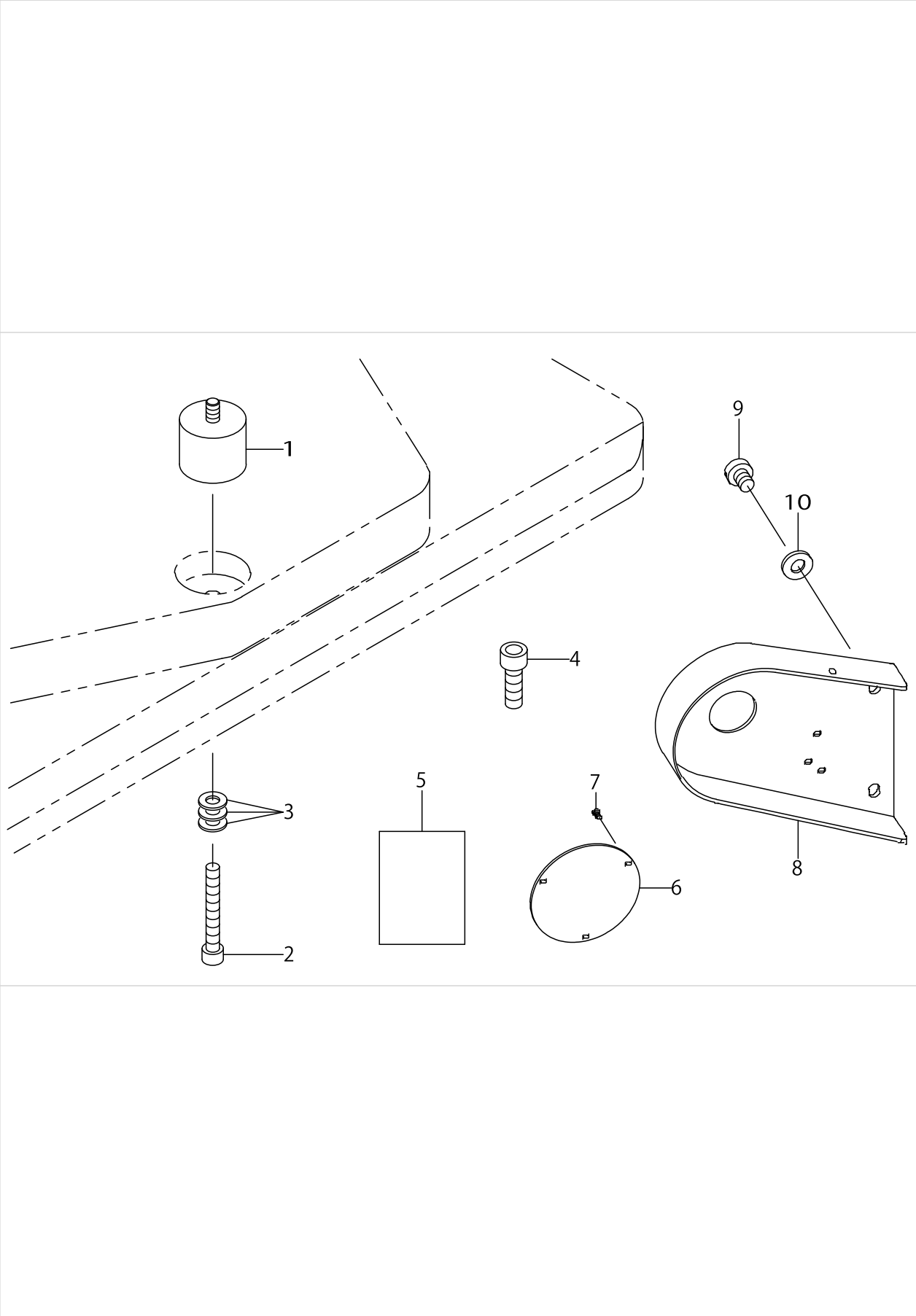
DEVICE COMPONENTS



DEVICE COMPONENTS

No.	Supply Code	Parts No.	Replacement	Parts name	Remarks	Choice	Step	Level	Cons	Qty	Rep. QTY
1	D	40032724		MOUNTING_BASE_ASSEMBLY						1	
2		40038664		MOUNTING_BASE_COMPLETE				*		1	
3		40032726		PULLEY_SHAFT				*		1	
4		40032727		PULLEY				*		1	
5		40032728		SLEEVE				*		1	
6		SM8060812TP		SCREW M6 L=8				*		2	
7		40032731		ADJUSTING_PULLEY_1				*		1	
8		40032732		ADJUSTING_PULLEY_2				*		1	
9		13406608		UPPER_PULLEY				*		1	
10		CM500300001		DIRECTION LABEL				*		1	
11		CM3002002A1		SAFETY LABEL 4 (SMALL)				*		1	
12		SB115000400		RADIAL BEARING				*		2	
13		SM8060812TP		SCREW M6 L=8				*		2	
14		SM8060612TP		SCREW M6 L=6				*		2	
15		SM8080812TP		SCREW M8X8				*		1	
16		SM8061212TP		SCREW M6X12				*		2	
17		22901508		INDICATION PLATE A				*		1	
18		MTJVM002900		V-BELT 29 INCH				*		1	
19		40035801		TABLE						1	
20		40036113		SUB_TABLE						1	

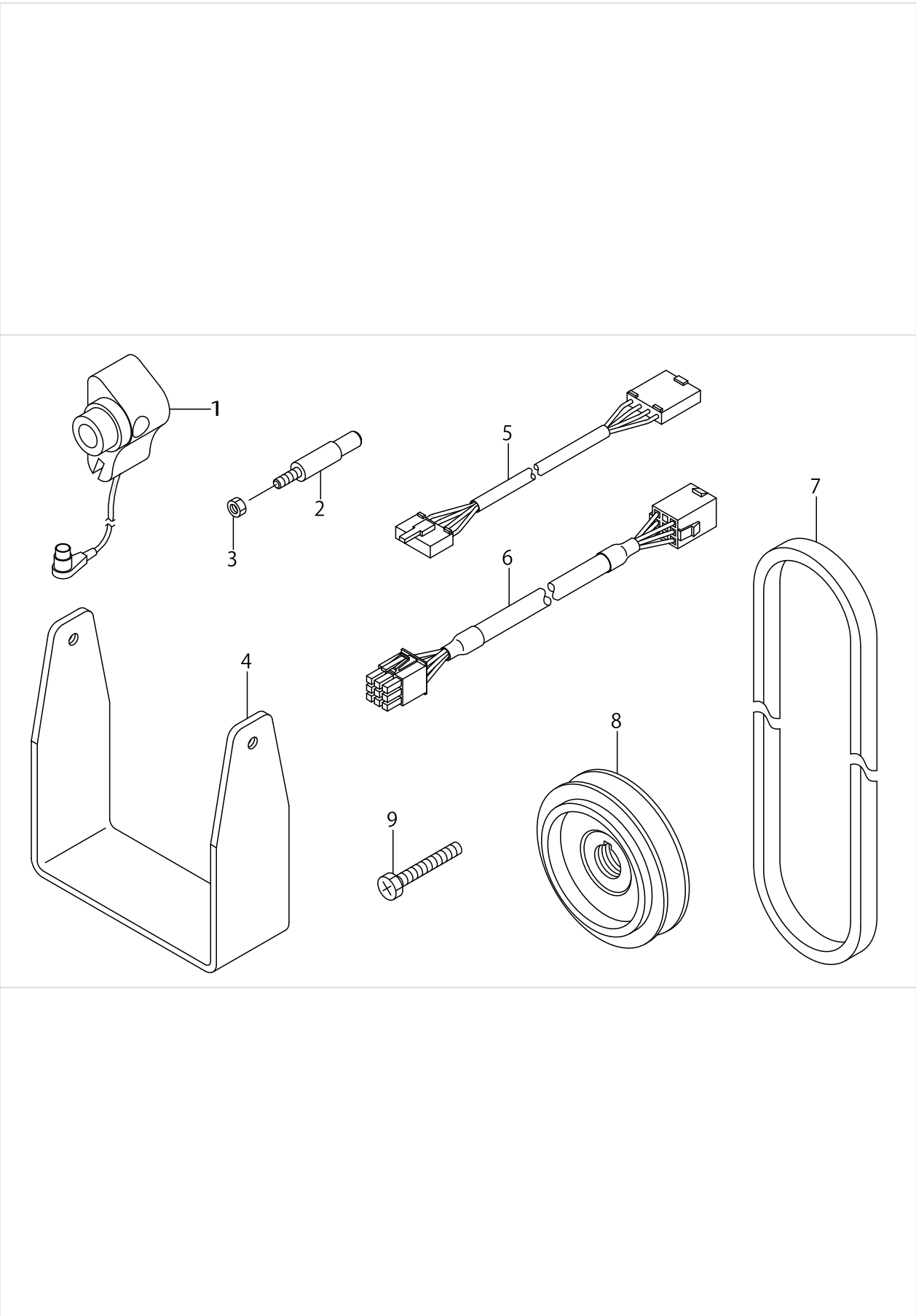
ACCESSORY PARTS COMPONENTS



ACCESSORY PARTS COMPONENTS

No.	Supply Code	Parts No.	Replacement	Parts name	Remarks	Choice	Step	Level	Cons	Qty	Rep. QTY
1		40038678		ISOLATOR						4	
2		SM6086002TP		SCREW						4	
3		WP0841601SC		WASHER 8.4X17.4X1.6						12	
4		24676207		SCREW						2	
5		40038973		MT_SERIES_INSTRUC- TION_PARTS_MA						1	
6		40032729		PULLEY_COVER						1	
7		SM6030600SP		SCREW M3X0.5 L=6						3	
8		40039385		BELT COVER						1	
9		SM6060800SP		SCREW M6 L=8						2	
10		WP0641601SC		WASHER						2	

OPTION COMPONENTS (FOR SC-510)



OPTION COMPONENTS (FOR SC-510)

No.	Supply Code	Parts No.	Replacement	Parts name	Remarks	Choice	Step	Level	Cons	Qty	Rep. QTY
1		40026920		SYNCHRONIZER ASM						1	
2		40039345		SYNCHRONIZER_STUD_ASSY						1	
3		NM6040001SP		NUT M4X0.7						1	
4		40038677		BOX_HANGER						2	
5		40038014		SERVO MOTOR RERAY CODE ASM						1	
6		40038058		ENCODER_CORD_ASM						1	
7		MTJVM003200		V-BELT, 32 INCH						1	
8		MTSP0065A00		MOTOR PULLEY P.C.D 65						1	
9		ST9053511SR		TAPPING SCREW M5X35						6	



## HOW TO MAKE USE OF THIS PARTS LIST

1.As to "#01" and "#02" refer to the "Note" given at the bottom of the respective pages.

2.Codes on the "Qty" column

- Each numeral indicates the number of parts required.
- "0.1" and "2.5" indicate the length (in meters) of the respective parts.

3.Parentheses mean that the corresponding part is a subpart that constructs an assembly part.

4.Dotted lines on the Figures indicate assembly parts.

1. リストページの# 0 1、# 0 2の印は、ページ下の"注記"の説明を参照下さい。
2. 数量欄の数字は、個数を表し、0. 1、2. 5等の数値は、長さ（単位メートル）を表します。
3. 数量欄の（ ）は、組部品を構成している子部品であることを意味します。
4. イラストページの-----枠は、組構成であることを意味します。

## NUMERICAL INDEX OF PARTS

PART NO	PAGE	REF NO.
13406608	2	9
22901508	2	17
24676207	4	4
40026920	6	1
40032724	2	1
40032726	2	3
40032727	2	4
40032728	2	5
40032729	4	6
40032731	2	7
40032732	2	8
40035801	2	19
40036113	2	20
40038014	6	5
40038058	6	6
40038664	2	2
40038677	6	4
40038678	4	1
40038973	4	5
40039345	6	2
40039385	4	8
CM3002002A1	2	11
CM500300001	2	10
MTJVM002900	2	18
MTJVM003200	6	7
MTSP0065A00	6	8
NM6040001SP	6	3
SB115000400	2	12
SM6030600SP	4	7
SM6060800SP	4	9
SM6086002TP	4	2
SM8060612TP	2	14
SM8060812TP	2	13
SM8061212TP	2	16
SM8080812TP	2	15
ST9053511SR	6	9
WP0641601SC	4	10
WP0841601SC	4	3