

MODEL : MF-7700-E10

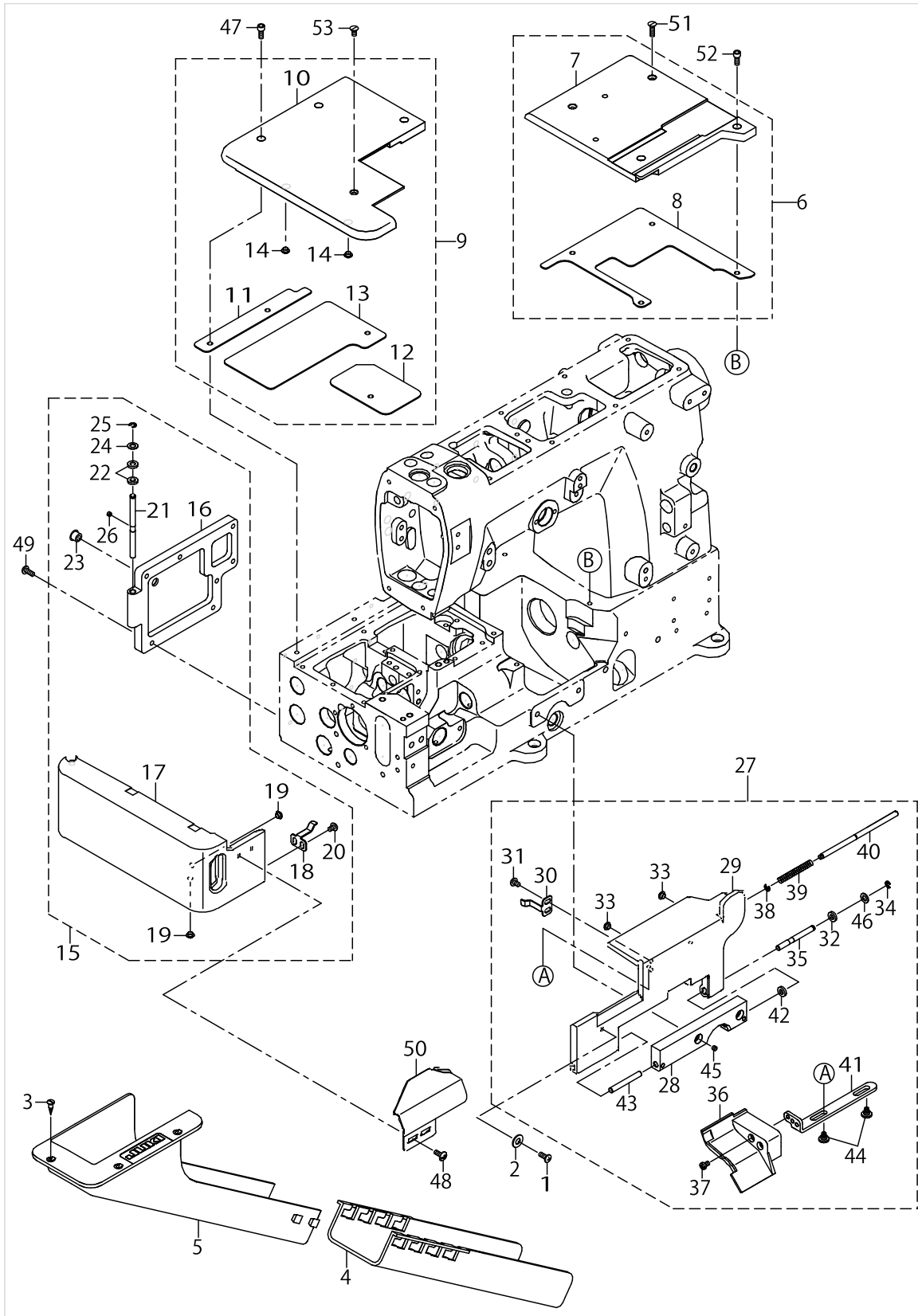
List No : 1458-01

PARTS LIST

Published:05/12/2017

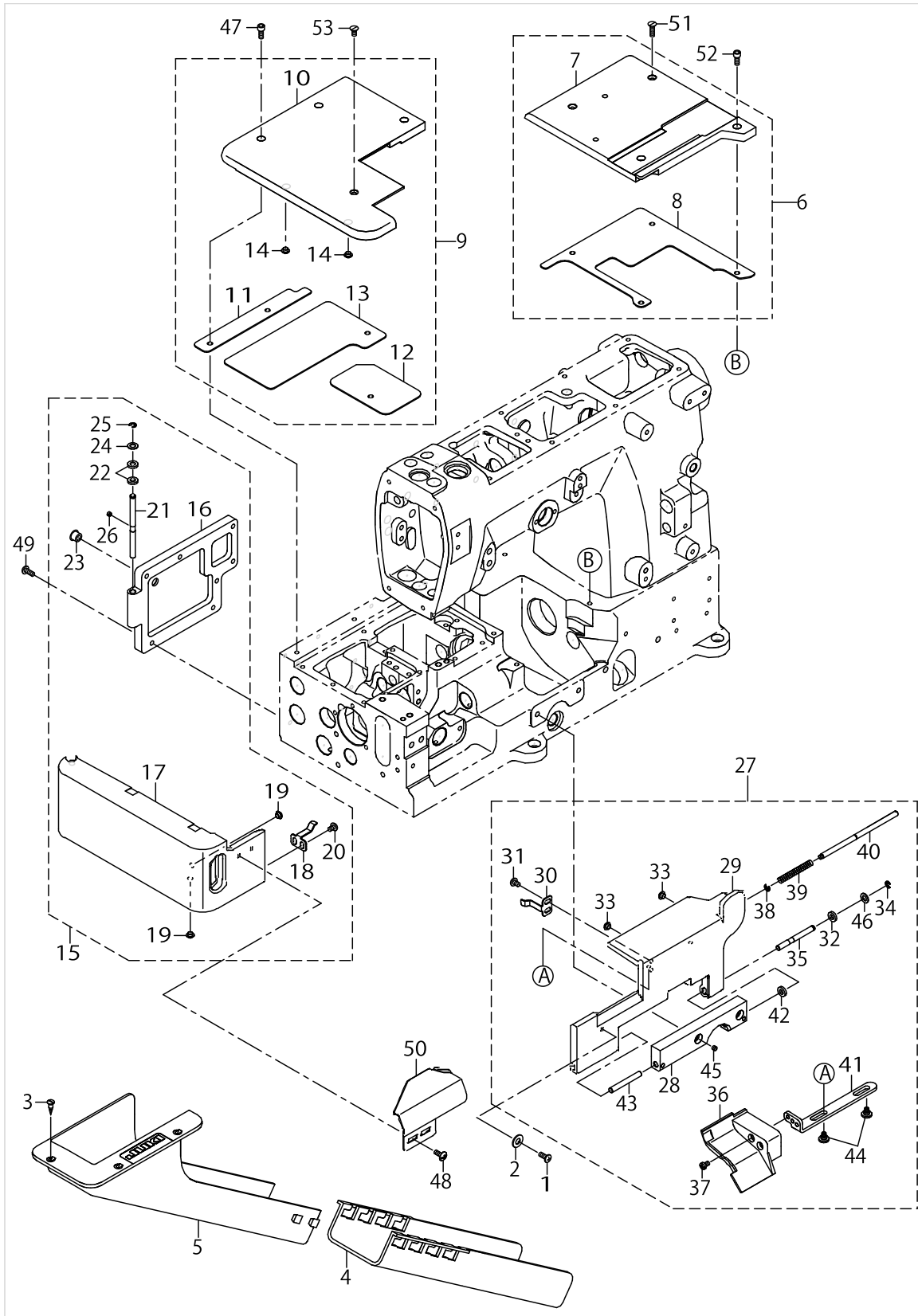
CONTENTS

MF-7700-E10 (1).....	1
MF-7700-E10 (2).....	5
MF-7700-E10 (3).....	9
HOW TO MAKE USE OF THIS PARTS LIST	11



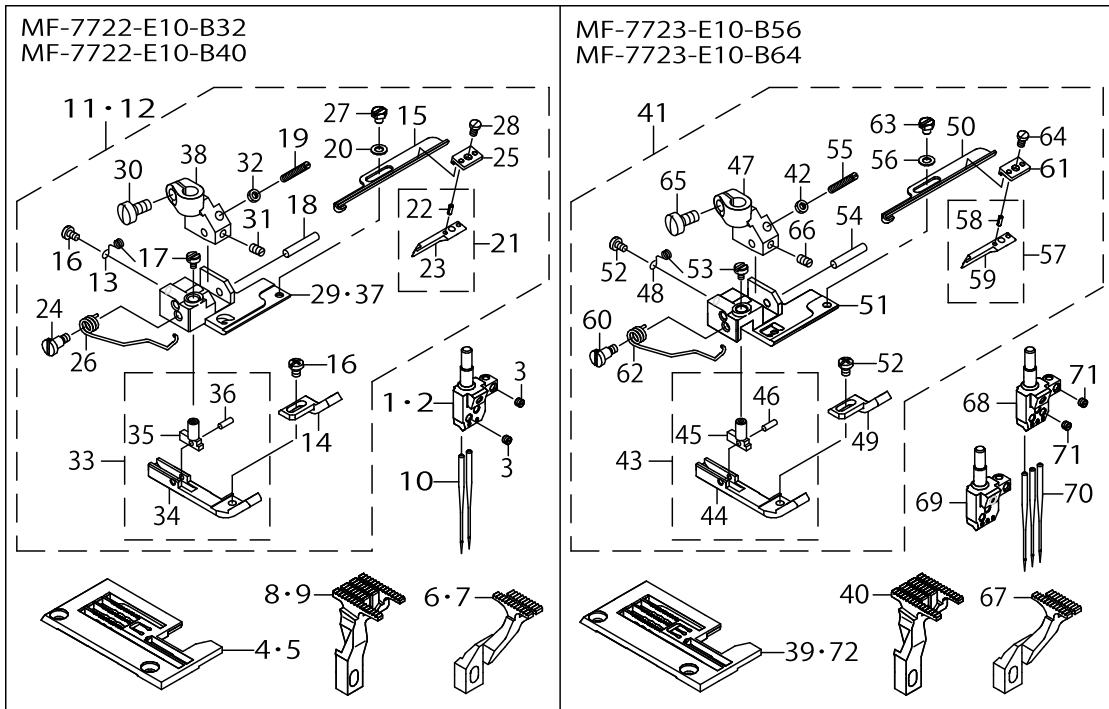
MF-7700-E10 (1)

No.	Supply Code	Parts No.	Replacement	Parts name	Remarks	Choice	Step	Level	Cons	Qty	Rep. QTY
1		SM0041055SP		SCREW						1	
2		WP0621016SD		WASHER 6.2X13X1						1	
3		SK2351601SE		WOOD SCREW D=3.5 L=16						3	
4		12341806		CLOTH WASTE CHUTE						1	
5		40017248		DUST_SHOOT_UP						1	
6		40018136		ASSY_CLOTH_PLATE_RIGHT_SUB						1	
7		40018137		CLOTH_PLATE_RIGHT_SUB				*		1	
8		13304704		GASKET_CPR				*		1	
9		40042596		ASSY CLOTH PLATE LEFT						1	
10		40042487		CLOTH PLATE LEFT				*		1	
11		13304803		GASKET_CPL				*		1	
12		13304902		GASKET_TPS				*		1	
13	D	13305008		GASKET_BTC				*		1	
14		13302302		RUBBER BUMPER				*		2	
15		40042597		ASSY SIDE COVER SUB						1	
16		13303904		FEED CHAMBER COVER				*		1	
17		40042486		SIDE COVER SUB				*		1	
18		13304308		LATCH SPRING				*		1	
19		13302302		RUBBER BUMPER				*		2	
20		SM4040655SP		SCREW M4 L=6				*		2	
21		13305107		PIN_FOR_SIDE_COVER				*		1	
22		13302708		RUBBER_WASHER				*		2	
23		TA0850604R0		RUBBER PLUG				*		1	
24		WP0550800SP		WASHER 5.5X10X0.8				*		1	
25		RE0300000K0		E-RING 3				*		1	
26		SM8040360TP		SCREW				*		1	
27		40042566		ASSY MAIN COVER						1	
28		13303508		HINGE				*		1	
29		40042485		MAIN COVER				*		1	
30		40008947		LATCH_SPRING				*		1	
31		SM4040655SP		SCREW M4 L=6				*		2	
32		13302708		RUBBER_WASHER				*		1	
33		13302302		RUBBER BUMPER				*		2	
34		RE0300000K0		E-RING 3				*		1	
35		13305206		PIN_FOR_S_D_COVER				*		1	
36		40008699		SLIP_COVER				*		1	
37		SM4040655SP		SCREW M4 L=6				*		2	
38		RE0300000K0		E-RING 3				*		1	
39		13101209		LOOPER COVER SPRING				*		1	
40		40008940		SLIDE_SHAFT				*		1	
41		40008939		PLATE_A				*		1	
42		13302708		RUBBER_WASHER				*		1	
43		PH0500400C0		PARALLEL PIN				*		1	
44		SD0600326TP		SHOULDER SCREW D6 H3.2				*		2	
45		SM8040360TP		SCREW				*		2	
46		WP0550800SP		WASHER 5.5X10X0.8				*		1	



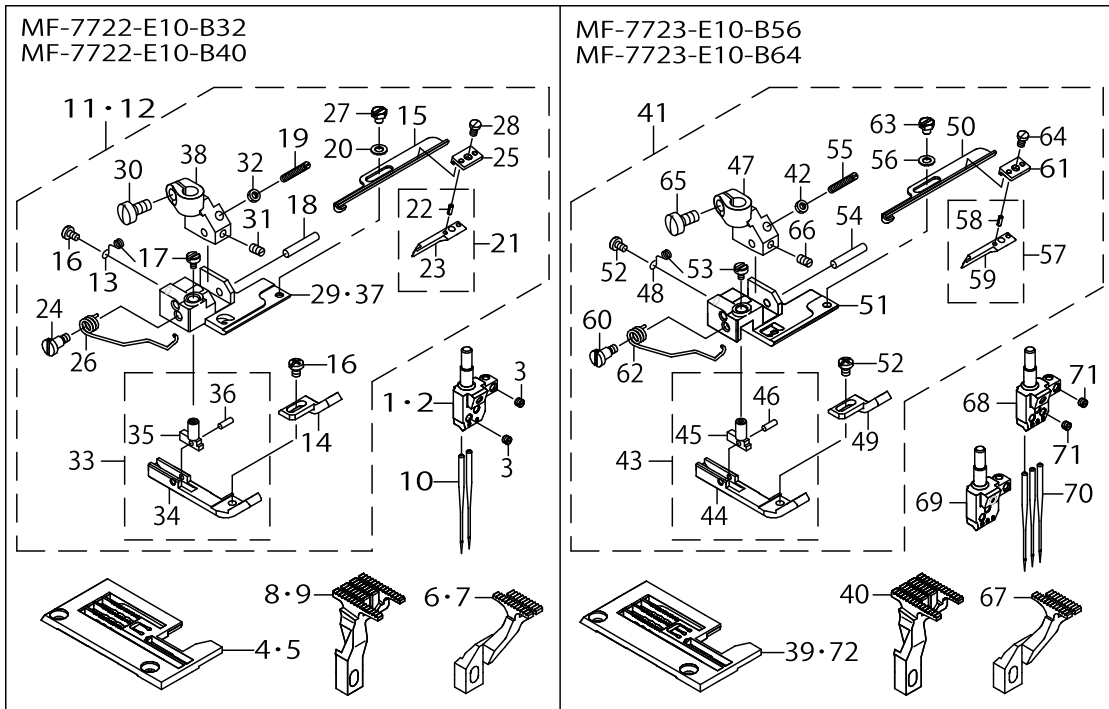
MF-7700-E10 (1)

No.	Supply Code	Parts No.	Replacement	Parts name	Remarks	Choice	Step	Level	Cons	Qty	Rep. QTY
47		SM6041002TP		SCREW M4 L=10						3	
48		SM0041055SP		SCREW						2	
49		SM4041055SP		SCREW						7	
50	R	40040542	40099970	GUIDE CIRCLE						1	1.00
51		SM1041400SP		SCREW						2	
52		SM6041002TP		SCREW M4 L=10						2	
53		SM1040800SP		SCREW						1	



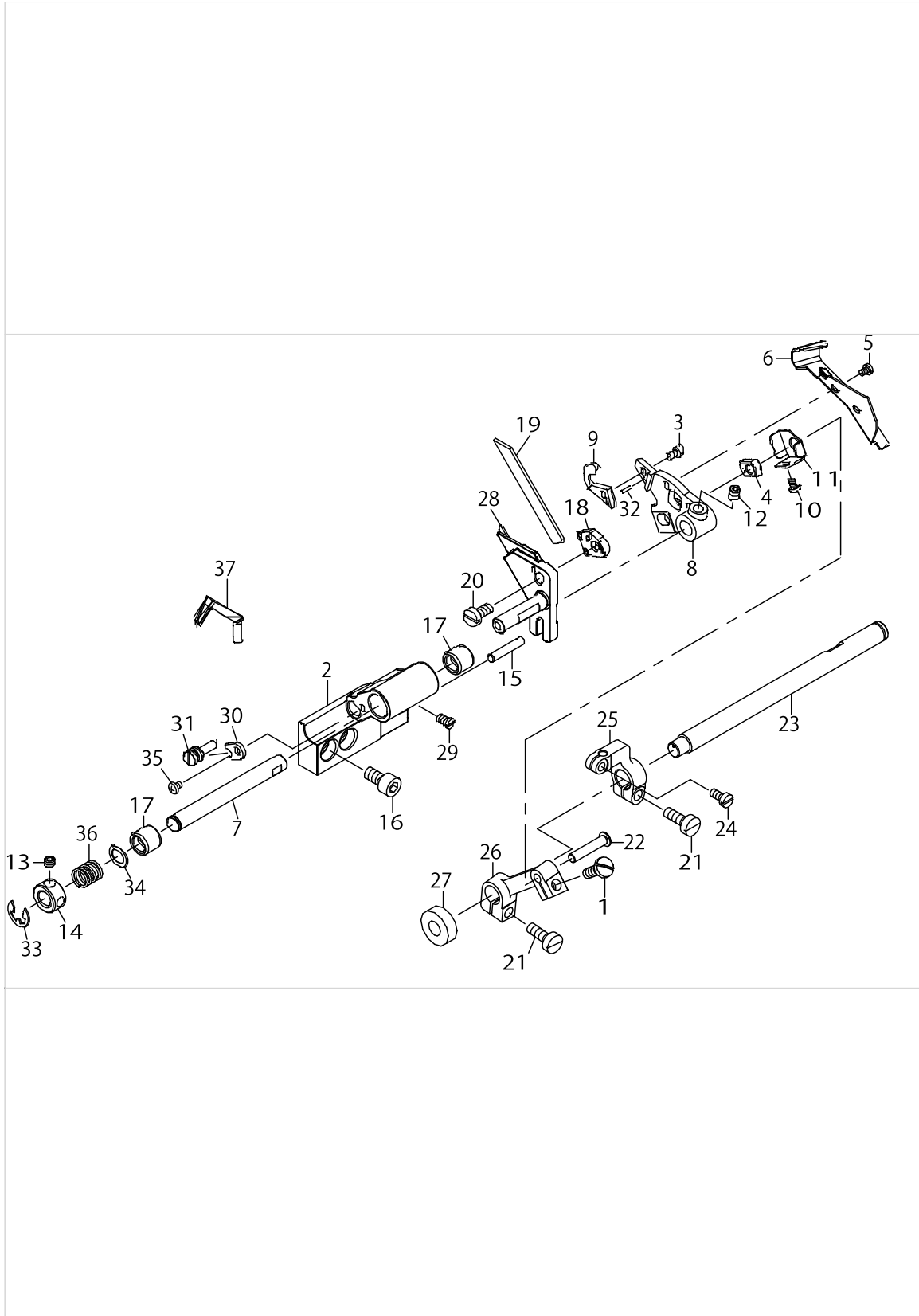
MF-7700-E10 (2)

No.	Supply Code	Parts No.	Replacement	Parts name	Remarks	Choice	Step	Level	Cons	Qty	Rep. QTY
1		13350103		NEEDLE_HEAD_40	FOR MF-7-722-E10-B40					1	
2		13350004		NEEDLE_HEAD_32	FOR MF-7-722-E10-B32					1	
3		SM8030350TP		SCREW						3	
4		13356001		THROAT_PLATE						1	
5		40058580		THROAT_PLATE	FOR MF-7-722-E10-B32					1	
6		13358106		DIFF_FEED_DOG	FOR MF-7-722-E10-B40					1	
7		40058582		DIFF_FEED_DOG	FOR MF-7-722-E10-B32					1	
8		13354006		MAIN_FEED_DOG	FOR MF-7-722-E10-B40					1	
9		40058581		MAIN_FEED_DOG	FOR MF-7-722-E10-B32					1	
10		MUY128S1000		NEEDLE						2	
11		40018288		PRESSER_FOOT_40_ASSY	FOR MF-7-722-E10-B40					1	
12		40058591		PRESSER_FOOT_32_ASSY	FOR MF-7-722-E10-B32					1	
13		13376603		YIELDING_SECTION_SPRING				*		1	
14		13377601		KNIFE_GUIDE				*		1	
15		13377908		TAPE_GUIDE_LEFT				*		1	
16		SM4030455SP		SCREW				*		2	
17	R	13376702	13376157	THREAD_SPRING_SCREW				*		1	1.00
18		PH0300162C0		PARALLEL_PIN_3X16				*		1	
19		13376801		SCREW_FOR_PRESSER_FOOT				*		1	
20		WP0320500SC		WASHER_M3				*		1	
21		40027528		TAPE_GUIDE_RIGHT_ASSY				*		1	
22		PS0150042K0		SPRING_PIN_1.5X_4				*		2	
23	R	40027527	40027528	TAPE_GUIDE_RIGHT				*		1	1.00
24		13377809		GUIDE_SCREW				*		1	
25		13378203		PLATE_TAPE_GUIDE				*		1	
26		13377700		YIELDING_SECTION_SPRING				*		1	
27		13378005		SCREW				*		1	
28		SM6850400SP		SCREW_M2.5_L=4				*		1	
29	R	13376108	13376157	PRESSER_FOOT_BOTTOM_40	FOR MF-7-722-E10-B40			*		1	1.00
30		SM7040800SL		SCREW				*		1	
31		SM8030500SP		SCREW				*		1	
32		NM6030001SD		NUT_M3X0.5				*		1	
33	R	13377551	40058591	YIELDING_SECTION_ASSY				*		1	1.00
34	R	13377502	40018288	YIELDING_SECTION		A		*		1	1.00
34	R	13377502	40018289	YIELDING_SECTION		B		*		1	1.00
35		13377205		YIELDING_SECTION_SHANK				*		1	
36		13377304		PIVOT_PIN				*		1	
37		40058590		PRESSER_FOOT_BOTTOM_32	FOR MF-7-722-E10-B32			*		1	
38		13376504		PRESSER_FOOT_SHANK				*		1	
39		13356308		THROAT_PLATE	FOR MF-7-723-E10-B64					1	
40		13354105		MAIN_FEED_DOG						1	
41		40018289		PRESSER_FOOT_56_ASSY						1	



MF-7700-E10 (2)

No.	Supply Code	Parts No.	Replacement	Parts name	Remarks	Choice	Step	Level	Cons	Qty	Rep. QTY
42		NM6030001SD		NUT M3X0.5				*		1	
43	R	13377551	40058591	YIELDING_SECTION_ASSY				*		1	1.00
44	R	13377502	40018288	YIELDING_SECTION		A		*		1	1.00
44	R	13377502	40018289	YIELDING_SECTION		B		*		1	1.00
45		13377205		YIELDING_SECTION_SHANK				*		1	
46		13377304		PIVOT_PIN				*		1	
47		13376504		PRESSER_FOOT_SHANK				*		1	
48		13376603		YIELDING_SECTION_SPRING				*		1	
49		13377601		KNIFE_GUIDE				*		1	
50		13377908		TAPE_GUIDE_LEFT				*		1	
51	R	13376207	13376256	PRESSER_FOOT_BOTTOM_56		A	C10	*		1	1.00
51	R	13376207	40018289	PRESSER_FOOT_BOTTOM_56		B	E10	*		1	1.00
52		SM4030455SP		SCREW				*		2	
53	R	13376702	13376157	THREAD_SPRING_SCREW				*		1	1.00
54		PH0300162C0		PARALLEL_PIN_3X16				*		1	
55		13376801		SCREW_FOR_PRESSER_FOOT				*		1	
56		WP0320500SC		WASHER M3				*		1	
57		40027528		TAPE_GUIDE_RIGHT_ASSY				*		1	
58		PS0150042K0		SPRING_PIN_1.5X_4				*		2	
59	R	40027527	40027528	TAPE_GUIDE_RIGHT				*		1	1.00
60		13377809		GUIDE_SCREW				*		1	
61		13378203		PLATE_TAPE_GUIDE				*		1	
62		13377700		YIELDING_SECTION_SPRING				*		1	
63		13378005		SCREW				*		1	
64		SM6850400SP		SCREW M2.5 L=4				*		1	
65		SM7040800SL		SCREW				*		1	
66		SM8030500SP		SCREW				*		1	
67		13358205		DIFF_FEED_DOG				*		1	
68		13350301		NEEDLE_HEAD_56	FOR MF-7-723-E10-B56			*		1	
69		13350400		NEEDLE_HEAD_64	FOR MF-7-723-E10-B64			*		1	
70		MUY128S1000		NEEDLE				*		3	
71		SM8030350TP		SCREW				*		4	
72		13356209		THROAT_PLATE	FOR MF-7-723-E10-B56			*		1	



MF-7700-E10 (3)

No.	Supply Code	Parts No.	Replacement	Parts name	Remarks	Choice	Step	Level	Cons	Qty	Rep. QTY
1		SM5051255SN		SCREW						1	
2		40040529		TRIMMER BASE						1	
3		SM6030500SN		SCREW M3 L=5						1	
4		40028795		ROCKER BLOCK						1	
5		SM4030455SP		SCREW						2	
6	R	40040539	40099969	FABRIC CHIP GUARD						1	1.00
7		40040540		MOVINGKNIFESHAF						1	
8	R	40040537	40051459	MOVING KNIFE BASE						1	1.00
9		40038754		MOVING_KNIFE						1	
10		SM4030455SP		SCREW						1	
11		40040538		ROCKER BLOCK PLATE						1	
12		SM8050612TP		SCREW M5X6						1	
13		SM8050412TP		SCREW M5 L=4						1	
14		CS0800881TP		THRUST COLLAR						1	
15		PH0400225S0		PARALLEL PIN 4X22						1	
16		SM6061202TP		SCREW M6 L=12						2	
17		40040613		BUSHING FABRIC TRIM RIGHT						2	
18		40040547		LOWER KNIFE PRESSER PLATE						1	
19		40038091		LOWER_KNIFE						1	
20		SM6051000SP		SCREW						1	
21		SM6051400SP		SCREW						2	
22		40028796		SHAFT						1	
23	D	40008950		SHAFT_NDL_GUARD						1	
24		SM6040800SP		SCREW						1	
25		40008949		REAR_NDL_GUARD HOLDER						1	
26		40008948		LINK_A						1	
27		SB108000900		BEARING						1	
28	D	40040534		FIXED KNIFE BASE						1	
29		SM6040660TP		SCREW M4 L=6						1	
30		40040535		ADJUST PLATE						1	
31		40040536		ADJUST SCREW						1	
32		PH0150065C0		PARALLEL PIN 1.5X6						1	
33		RE0700000K0		E-RING 7						1	
34		WP0820516SP		WASHER 11.6X8.2X0.6						1	
35		SM4030455SP		SCREW						1	
36		40040541		KNIFE SPRING						1	
37		40065790		REAL NDL GUARD						1	

HOW TO MAKE USE OF THIS PARTS LIST

1.As to "#01" and "#02" refer to the "Note" given at the bottom of the respective pages.

2.Codes on the "Qty" column

- Each numeral indicates the number of parts required.
- "0.1" and "2.5" indicate the length (in meters) of the respective parts.

3.Parentheses mean that the corresponding part is a subpart that constructs an assembly part.

4.Dotted lines on the Figures indicate assembly parts.

1. リストページの# 0 1、# 0 2の印は、ページ下の"注記"の説明を参照下さい。
2. 数量欄の数字は、個数を表し、0. 1、2. 5等の数値は、長さ（単位メートル）を表します。
3. 数量欄の（ ）は、組部品を構成している子部品であることを意味します。
4. イラストページの-----枠は、組構成であることを意味します。

NUMERICAL INDEX OF PARTS

PART NO	PAGE	REF NO.	PART NO	PAGE	REF NO.	PART NO	PAGE	REF NO.
12341806	2	4	13377700	8	62	40042596	2	9
13101209	2	39	13377809	6	60	40042597	2	15
13302302	2	33	13377809	8	60	40058580	6	4·5
13302708	2	42	13377908	6	50	40058581	6	8·9
13303508	2	28	13377908	8	50	40058582	6	6·7
13303904	2	16	13378005	6	63	40058590	6	29·37
13304308	2	18	13378005	8	63	40058591	6	11·12
13304704	2	8	13378203	6	61	40065790	10	37
13304803	2	11	13378203	8	61	CS0800881TP	10	14
13304902	2	12	40008699	2	36	MUY128S1000	6	70
13305008	2	13	40008939	2	41	MUY128S1000	8	70
13305107	2	21	40008940	2	40	NM6030001SD	6	42
13305206	2	35	40008947	2	30	NM6030001SD	8	42
13350004	6	1·2	40008948	10	26	PH0150065C0	10	32
13350103	6	1·2	40008949	10	25	PH0300162C0	6	54
13350301	8	68	40008950	10	23	PH0300162C0	8	54
13350400	8	69	40017248	2	5	PH0400225S0	10	15
13354006	6	8·9	40018136	2	6	PH0500400C0	2	43
13354105	6	40	40018137	2	7	PS0150042K0	6	58
13356001	6	4·5	40018288	6	11·12	PS0150042K0	8	58
13356209	8	39·72	40018289	6	41	RE0300000K0	2	38
13356308	6	39·72	40027527	6	59	RE0700000K0	10	33
13358106	6	6·7	40027527	8	59	SB108000900	10	27
13358205	8	67	40027528	6	57	SD0600326TP	2	44
13376108	6	29·37	40027528	8	57	SK2351601SE	2	3
13376207	8	51	40028795	10	4	SM0041055SP	2	48
13376504	6	47	40028796	10	22	SM0041055SP	4	48
13376504	8	47	40038091	10	19	SM1040800SP	4	53
13376603	6	48	40038754	10	9	SM1041400SP	4	51
13376603	8	48	40040529	10	2	SM4030455SP	6	52
13376702	6	53	40040534	10	28	SM4030455SP	8	52
13376702	8	53	40040535	10	30	SM4030455SP	10	35
13376801	6	55	40040536	10	31	SM4040655SP	2	37
13376801	8	55	40040537	10	8	SM4041055SP	4	49
13377205	6	45	40040538	10	11	SM5051255SN	10	1
13377205	8	45	40040539	10	6	SM6030500SN	10	3
13377304	6	46	40040540	10	7	SM6040660TP	10	29
13377304	8	46	40040541	10	36	SM6040800SP	10	24
13377502	6	44	40040542	4	50	SM6041002TP	4	52
13377502	8	44	40040547	10	18	SM6051000SP	10	20
13377551	6	43	40040613	10	17	SM6051400SP	10	21
13377551	8	43	40042485	2	29	SM6061202TP	10	16
13377601	6	49	40042486	2	17	SM6850400SP	6	64
13377601	8	49	40042487	2	10	SM6850400SP	8	64
13377700	6	62	40042566	2	27	SM7040800SL	6	65

NUMERICAL INDEX OF PARTS

PART NO	PAGE	REF NO.
SM7040800SL	8	65
SM8030350TP	6	71
SM8030350TP	8	71
SM8030500SP	6	66
SM8030500SP	8	66
SM8040360TP	2	45
SM8050412TP	10	13
SM8050612TP	10	12
TA0850604R0	2	23
WP0320500SC	6	56
WP0320500SC	8	56
WP0550800SP	2	46
WP0621016SD	2	2
WP0820516SP	10	34