

MODEL : IP-110/SC-510

List No : 1470-01

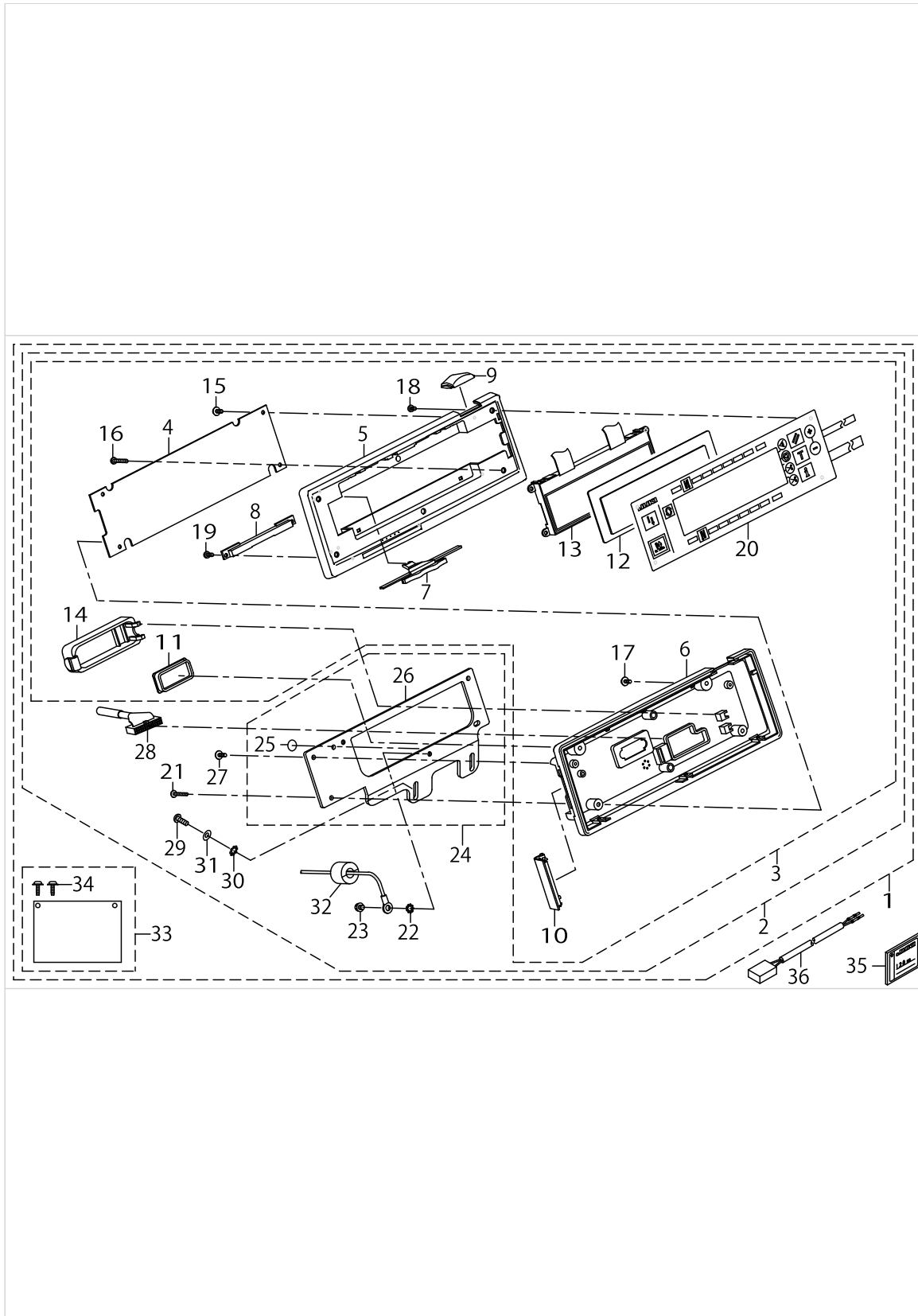
PARTS LIST

Published:05/12/2017

CONTENTS

OPERATION PANEL INCORPORATED IN MACHINE HEAD.....	1
HOW TO MAKE USE OF THIS PARTS LIST	3

OPERATION PANEL INCORPORATED IN MACHINE HEAD



OPERATION PANEL INCORPORATED IN MACHINE HEAD

No.	Supply Code	Parts No.	Replacement	Parts name	Remarks	Choice	Step	Level	Cons	Qty	Rep. QTY
1		40054945		IP-110E/SC-510 IPOP UNIT						1	
2	R	40054944	40095606	IP-110 TYPE-E COMPLETE				*		1	1.00
3		40055186		IP-110 TYPE-E ASSY				*		1	
4		40046138		PANEL PCB ASSY				*		1	
5	R	40055002	40105708	FRONT PANEL				*		1	1.00
6		40055005		BACK PANEL				*		1	
7		40005844		SPEED ADJUSTING KNOB				*		1	
8		40005845		SPEED KNOB SUPPORT				*		1	
9	D	40005846		INDICATION WINDOW				*		1	
10		40055007		MEDIA COVER				*		1	
11		40005848		D-SUB 9P COVER				*		1	
12		40005847		LCD COVER				*		1	
13		KG000000140		LCD				*		1	
14		M1003371000		CORD EXIT COVER				*		1	
15	D	SV4030802SN		TAPPING SCREW WITH FLANGE M3X8				*		3	
16		SM4032001SC		SCREW M3X0.5 L=20				*		1	
17	D	SV4030802SN		TAPPING SCREW WITH FLANGE M3X8				*		2	
18		SM4030601SC		SCREW M3 X 6				*		3	
19		ST4030851SN		SCREW				*		2	
20	R	40005900	40095606	PANEL SHEET ASSY				*		1	1.00
21		SV4032502SN		TAPPING SCREW				*		2	
22		WT0430002KE		TOOTHED WASHER				*		1	
23		SL4040691SC		SCREW M4 L=6				*		1	
24		40024472		PANEL BRACKET E ASSY				*		1	
25	R	10004109	22901805	GROUND MARK				*		1	1.00
26	D	40024474		PANEL BRACKET E				*		1	
27		SV4031001SN		TAPPING SCREW				*		2	
28		40005902		PANEL CABLE B ASSY				*		1	
29		SS4111215SP		SCREW 11/64-40L=12				*		2	
30		WT0530002KS		TOOTHED WASHER D=5.3				*		2	
31		WP0450801SD		SCREW 11/64-40L=12				*		2	
32	D	HN002100000		FERRITE CLAMP				*		1	
33		40023801		SC-510 IPOP_PCB_A ASSY				*		1	
34	D	SV4030802SN		TAPPING SCREW WITH FLANGE M3X8				*		2	
35		40000100		COMPACT FLASH(TM)	OPTIONAL PARTS					1	
36		40008168		OP SWITCH CABLE A ASSY	OPTIONAL PARTS					1	

HOW TO MAKE USE OF THIS PARTS LIST

- 1.As to "#01" and "#02" refer to the "Note" given at the bottom of the respective pages.
- 2.Codes on the "Qty" column
 - Each numeral indicates the number of parts required.
 - "0.1" and "2.5" indicate the length (in meters) of the respective parts.
- 3.Parentheses mean that the corresponding part is a subpart that constructs an assembly part.
- 4.Dotted lines on the Figures indicate assembly parts.

1. リストページの# 0 1、# 0 2の印は、ページ下の"注記"の説明を参照下さい。
2. 数量欄の数字は、個数を表し、0. 1、2. 5等の数値は、長さ（単位メートル）を表します。
3. 数量欄の（ ）は、組部品を構成している子部品であることを意味します。
4. イラストページの-----枠は、組構成であることを意味します。

※"コンパクトフラッシュ (TM)"は米国サンディスク社の登録商標です。

*"CompactFlash(TM)"is the registered trademark of SanDisk Corporation,U.S.A

NUMERICAL INDEX OF PARTS

PART NO	PAGE	REF NO.
10004109	2	25
40000100	2	35
40005844	2	7
40005845	2	8
40005846	2	9
40005847	2	12
40005848	2	11
40005900	2	20
40005902	2	28
40008168	2	36
40023801	2	33
40024472	2	24
40024474	2	26
40046138	2	4
40054944	2	2
40054945	2	1
40055002	2	5
40055005	2	6
40055007	2	10
40055186	2	3
HN002100000	2	32
KG000000140	2	13
M1003371000	2	14
SL4040691SC	2	23
SM4030601SC	2	18
SM4032001SC	2	16
SS4111215SP	2	29
ST4030851SN	2	19
SV4030802SN	2	34
SV4031001SN	2	27
SV4032502SN	2	21
WP0450801SD	2	31
WT0430002KE	2	22
WT0530002KS	2	30