

MODEL : T041S

List No : 1489-02

# PARTS LIST

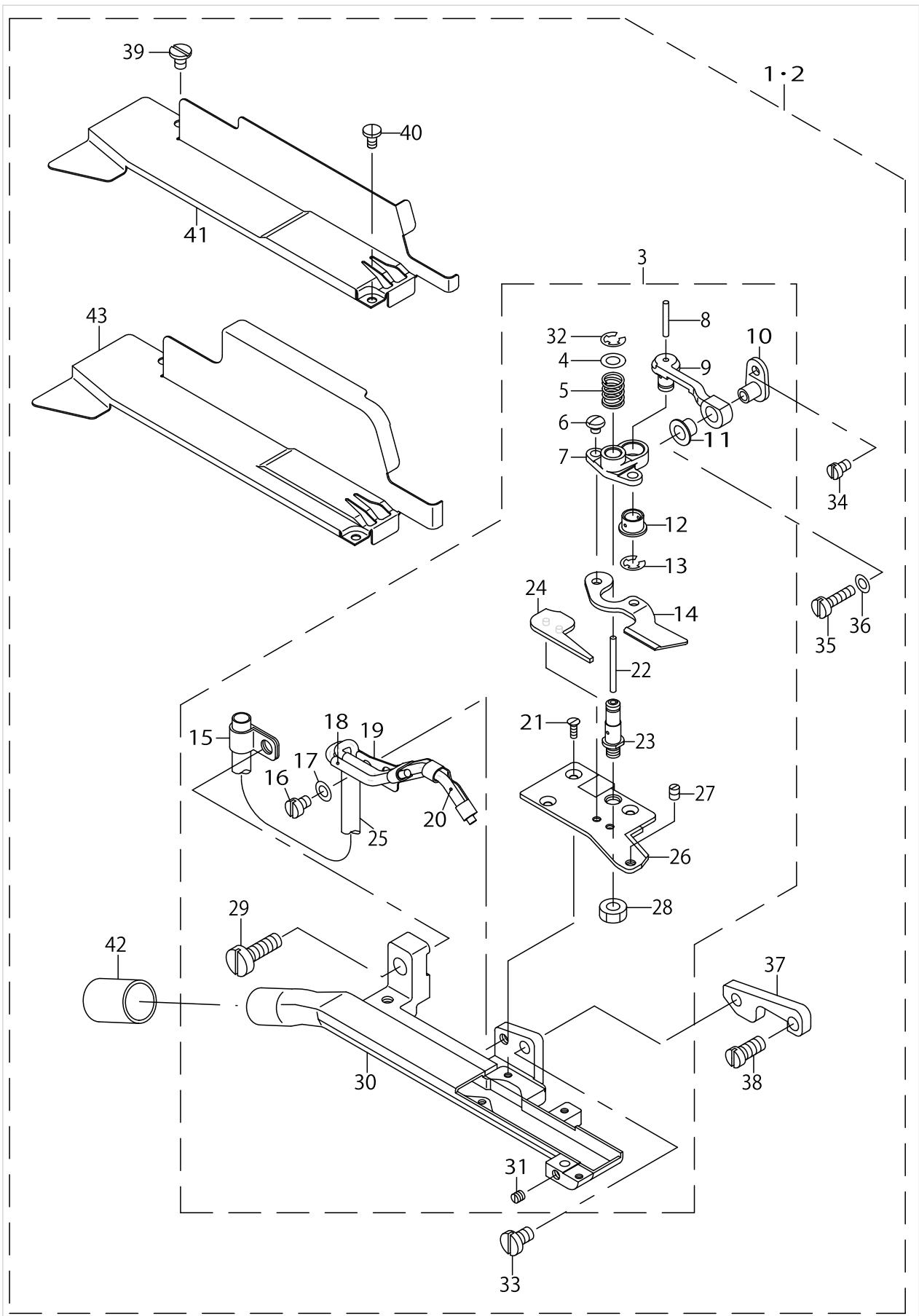
Published:05/12/2017

## CONTENTS

---

COMPONENTS .....	1
HOW TO MAKE USE OF THIS PARTS LIST .....	3

COMPONENTS



COMPONENTS

No.	Supply Code	Parts No.	Replacement	Parts name	Remarks	Choice	Step	Level	Cons	Qty	Rep. QTY
1		40060703		T041S ASSY	FOR MOR-- 3900,MO-6900R					1	
2		40075885		T041S ASSY						1	
3		40060701		KNIFE PLATE ASM				*		1	
4		WP0450000SD		WASHER 4.5X8X0.5				*		1	
5		MAT03509000		SPRING				*		1	
6		SS4080320TP		SCREW 1/8-44 L=3.4				*		2	
7		40060696		MOVING KNIFE BRACKET				*		1	
8		CQ202000000		OIL WICK				*		0.- 013	
9		MAT03511000		KNIFE DRIVING RINK				*		1	
10		MAT03512000		KNIFE DRIVING RINK BRACKET				*		1	
11		MAT03510000		KNIFE DRIVING RINK PIECE				*		1	
12		MAT03510000		KNIFE DRIVING RINK PIECE				*		1	
13		RE0400000K0		E-RING 4				*		1	
14		MAT03506000		MOVING KNIFE				*		1	
15		MAT03516000		OIL TUBE HOLDER				*		1	
16		SS7090520TP		SCREW 9/64-40 L=4.5				*		1	
17		WP0371016SD		WASHER 3.7X8X1				*		1	
18		MAT035140A0		OIL TUBE ASM.				*		1	
19		MAT04104000		OIL TUBE HOLDER				*		1	
20		MAT035150A0		OIL TUBE ASM.				*		1	
21		SS1060610SP		SCREW 3/32-56 L=5.5				*		3	
22		CQ202000000		OIL WICK				*		0.- 021	
23		MAT03507000		KNIFE BAR DRIVING SHAFT				*		1	
24		40060692		AIR LEAK STOPPER				*		1	
25		BP400000000		VINYL TUBE, WHITE D=4				*		0.09	
26		40078823		FIXED KNIFE				*		1	
27		SS8080610SP		SCREW 1/8-44 L=5.5				*		1	
28		NS6110310SP		NUT 11/64-40				*		1	
29		SS7121410TP		SCREW 3/16-28 L=14				*		1	
30		40078825		KNIFE PLATE COMPL.				*		1	
31		SS8080310TP		SCREW 1/8-44 L=2.8				*		1	
32		RE0300000K0		E-RING 3				*		1	
33		SS7110840SP		SCREW 11/64-40 L=7.8				*		1	
34		SS7080520SP		SCREW 1/8-44 L=4.9				*		1	
35		SS6081210SP		SCREW 1/8-44 L=12				*		1	
36		WP0371016SD		WASHER 3.7X8X1				*		1	
37		MAT04102000		KNIFE PLATE				*		1	
38		SS7120910TP		SCREW 3/16-28 L=9				*		1	
39		SS6090520SP		SCREW 9/64-40 L=5.0				*		1	
40		SS7060310SP		SCREW 3/32-56 L=3				*		1	
41		40062490		KNIFE PLATE COVER	FOR MOR-- 3900,MO-6900R			*		1	
42		40045961		VINYL PIPE				*		1	
43		40075884		KNIFE PLATE COVER				*		1	

## HOW TO MAKE USE OF THIS PARTS LIST

1.As to "#01" and "#02" refer to the "Note" given at the bottom of the respective pages.

2.Codes on the "Qty" column

- Each numeral indicates the number of parts required.
- "0.1" and "2.5" indicate the length (in meters) of the respective parts.

3.Parentheses mean that the corresponding part is a subpart that constructs an assembly part.

4.Dotted lines on the Figures indicate assembly parts.

1. リストページの# 0 1、# 0 2の印は、ページ下の"注記"の説明を参照下さい。
2. 数量欄の数字は、個数を表し、0. 1、2. 5等の数値は、長さ（単位メートル）を表します。
3. 数量欄の（ ）は、組部品を構成している子部品であることを意味します。
4. イラストページの-----枠は、組構成であることを意味します。

## NUMERICAL INDEX OF PARTS

PART NO	PAGE	REF NO.
40045961	2	42
40060692	2	24
40060696	2	7
40060701	2	3
40060703	2	1·2
40062490	2	41
40075884	2	43
40075885	2	1·2
40078823	2	26
40078825	2	30
BP400000000	2	25
CQ202000000	2	22
MAT03506000	2	14
MAT03507000	2	23
MAT03509000	2	5
MAT03510000	2	12
MAT03511000	2	9
MAT03512000	2	10
MAT035140A0	2	18
MAT035150A0	2	20
MAT03516000	2	15
MAT04102000	2	37
MAT04104000	2	19
NS6110310SP	2	28
RE0300000K0	2	32
RE0400000K0	2	13
SS1060610SP	2	21
SS4080320TP	2	6
SS6081210SP	2	35
SS6090520SP	2	39
SS7060310SP	2	40
SS7080520SP	2	34
SS7090520TP	2	16
SS7110840SP	2	33
SS7120910TP	2	38
SS7121410TP	2	29
SS8080310TP	2	31
SS8080610SP	2	27
WP0371016SD	2	36
WP0450000SD	2	4