

MODEL : MD10 A仕様

List No : 1518-00

# PARTS LIST

Published:05/12/2017

## CONTENTS

---

DEVICE COMPONENTS .....	1
ACCESSORIE PARTS COMPONENTS .....	7
HOW TO MAKE USE OF THIS PARTS LIST .....	9



DEVICE COMPONENTS

No.	Supply Code	Parts No.	Replacement	Parts name	Remarks	Choice	Step	Level	Cons	Qty	Rep. QTY
1		40061208		BASE_ASSY						1	
2		40020003		PROTECTION_SHIELD						1	
3		SM4030655SP		SCREW						2	
4		CS1000881TP		THRUST COLLAR						2	
5		SM8050412TP		SCREW M5 L=4						4	
6		40013671		INSTALLING_BASE						1	
7		SM6061202TP		SCREW M6 L=12						2	
8		SM6051002TP		SCREW M5X0.8 L=10						2	
9		B3013141H0A		WASHER						2	
10		SL4041491SC		SCREW 4 X 14						2	
11	D	40013674		GUIDE_PLATE						1	
12	D	40011207		SUPPORT_GUIDE_B						1	
13		40018265		SIDE_GUIDE_A						3	
14		SM5040655SN		SCREW						1	
15		SM8040360TP		SCREW						1	
16		40019379		KNOB_SCREW						1	
17		40011202		UPPER_MAINSHAFT_RIGHT						1	
18		40079809		TAPE_GUIDE_ARM_A						1	
19		SM6040802TP		SCREW M4X0.7 L=8						2	
20		40079810		EYE_GUARD_ARM_A						1	
21		SM6040802TP		SCREW M4X0.7 L=8						1	
22		40019606		DRIVEN_ROLLER_STOPPER						1	
23		SD0600406TP		SHOULDER SCREW						1	
24		WZ0641510KP		WAVED WASHER 6.4X11X0.3						1	
25		NM6040002SN		NUT M4						1	
26		40079802		GUIDE_ARM_ASSY						1	
27		40079808		STOPPER						1	
28		WZ0420350KP		DISC SPRING						2	
29		SM6041002TP		SCREW M4 L=10						1	
30		40064101		DRIVEN_ROLLER_ARM						2	
31		SM8040512TP		SCREW						4	
32		40062309		DRIVEN_ROLLER						1	
33		SM6040602TP		SCREW M4 L=6						1	
34		40064102		DRIVEN_ROLLER_SHAFT						1	
35		40072933		DRIVEN_ROLLER_ARM_SHAFT						1	
36		40079805		TAPE_STOPPER						2	
37		SM8030312TP		SCREW M3 L=3						2	
38	D	40018261		PRESSER_PLATE						1	
39		SM4030655SP		SCREW						2	
40		40011178		PRESSER_BAR						1	
41		RE0400000K0		E-RING 4						1	
42		40075049		SPRING	OPTIONAL PARTS					1	
43		40011179		PRESSER SPRING REGULATOR						1	
44		40011180		NUT						1	
45		40062308		DRIVE_ROLLER						1	
46		SM8040412TP		SET SCREW M4 L=4						4	



DEVICE COMPONENTS

No.	Supply Code	Parts No.	Replacement	Parts name	Remarks	Choice	Step	Level	Cons	Qty	Rep. QTY
47		40024781		SG_COLLAR						1	
48		40072923		DRIVE_SHAFT						1	
49		SM8050612TP		SCREW M5X6						2	
50		40019621		DRIVE_SHAFT_METAL_A						1	
51		40011189		BUSHING						1	
52		SM8050612TP		SCREW M5X6						1	
53		WZ0641510KP		WAVED WASHER 6.4X11X0.3						1	
54		WP0450801SP		WASHER						1	
55		SM6041202TP		SCREW M4X0.7 L=12						1	
56		WP0430800SC		WASHER M4						1	
57		SM6040802TP		SCREW M4X0.7 L=8						1	
58	D	40079811		EYE_GUARD_ARM_B						1	
59		RE0800000K0		E-SHAPED SNAP RING (8MM)						1	
60		WP1021016SD		WASHER						1	
61		40072932		COLLAR						1	
62		40011195		FEED_REGULATOR_SCREW						1	
63		RE0500000K0		E-RING						1	
64		40011196		FEED_REGULATOR_FIX_PLATE						1	
65		SM4030455SP		SCREW						2	
66		40011198		FULCRUM_SHAFT						1	
67		40011197		SCALE_POINTER						1	
68		40019622		NEEDLE_INNER_RING						1	
69		WP0621046SP		WASHER						1	
70		NM9060610SE		WING NUT M6						1	
71		RE0300000K0		E-RING 3						1	
72		40020164		FEED_ROD_ASSY						1	
73		40011200		FEED_ROD				*		1	
74		40019629		SPACER				*		1	
75		SM6042002TP		SCREW M4X0.7 L=20				*		1	
76		40019994		SLIDE_SHAFT HOLDER				*		1	
77		SB130000500		BEARING				*		1	
78		40019637		FEED_CAM_B				*		1	
79		SM8050502TP		SCREW M5 L=5				*		2	
80		40075355		FEED_CAM_A						1	
81		SM8050502TP		SCREW M5 L=5						1	
82		SM8051002TP		SCREW M5 L=10						1	
83		SB30800120A		BEARING						1	
84		40072935		CLUTCH_ASSY						1	
85		40072920		FEED_REGULATOR_ARM				*		1	
86		SM1040950TP		SCREW M4 L=9				*		6	
87		40072914		CLUTCH				*		2	
88		40072916		PIN				*		6	
89		40072919		GUIDE_PLATE_ASSY				*		6	
90		40072922		SPRING				*		12	
91		40072915		DRUM_CLUTCH				*		1	
92		SM8060812TP		SCREW M6 L=8				*		1	

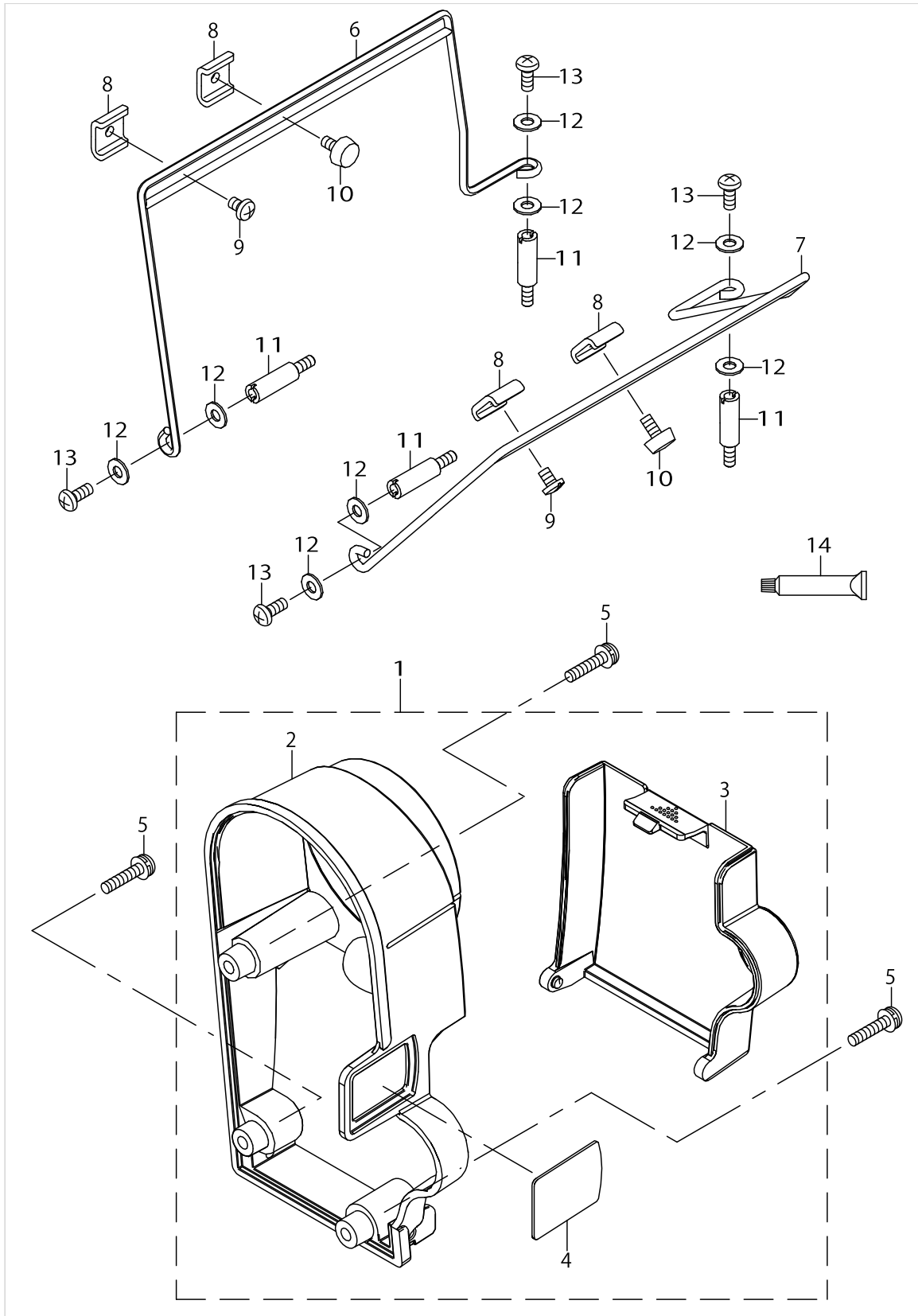


DEVICE COMPONENTS

No.	Supply Code	Parts No.	Replacement	Parts name	Remarks	Choice	Step	Level	Cons	Qty	Rep. QTY
93		SM8060612TP		SCREW M6 L=6				*		2	
94		40072921		CLUTCH_MOUNTING_PLATE				*		1	
95	D	40019668		SPRING						1	



ACCESSORIE PARTS COMPONENTS



ACCESSORIE PARTS COMPONENTS

No.	Supply Code	Parts No.	Replacement	Parts name	Remarks	Choice	Step	Level	Cons	Qty	Rep. QTY
1		40020190		PULLEY_COVER_ASSY						1	
2		40011410		PULLEY_COVER_A				*		1	
3		40011411		PULLEY_COVER_B				*		1	
4		40020189		PULLEY_COVER_C				*		1	
5		SL4042091SC		SCREW M4X0.7 L=20						3	
6		40072924		SUPPORT GUIDE C						1	
7		40012144		SUPPORT_GUIDE_A						1	
8		40018266		SIDE_GUIDE_B						4	
9		SM5040655SN		SCREW						2	
10		40019379		KNOB_SCREW						2	
11		40011205		STUD						4	
12		WP0450826SC		WASHER 4.5X10X0.8						8	
13		SM4041055SP		SCREW						4	
14		13525506		GREASE TUBE						1	

## HOW TO MAKE USE OF THIS PARTS LIST

1.As to "#01" and "#02" refer to the "Note" given at the bottom of the respective pages.

2.Codes on the "Qty" column

- Each numeral indicates the number of parts required.
- "0.1" and "2.5" indicate the length (in meters) of the respective parts.

3.Parentheses mean that the corresponding part is a subpart that constructs an assembly part.

4.Dotted lines on the Figures indicate assembly parts.

1. リストページの# 0 1、# 0 2の印は、ページ下の"注記"の説明を参照下さい。
2. 数量欄の数字は、個数を表し、0. 1、2. 5等の数値は、長さ（単位メートル）を表します。
3. 数量欄の（ ）は、組部品を構成している子部品であることを意味します。
4. イラストページの-----枠は、組構成であることを意味します。

NUMERICAL INDEX OF PARTS

PART NO	PAGE	REF NO.	PART NO	PAGE	REF NO.	PART NO	PAGE	REF NO.
13525506	8	14	40072921	6	94	SM8040512TP	2	31
40011178	2	40	40072922	4	90	SM8050412TP	2	5
40011179	2	43	40072923	4	48	SM8050502TP	4	81
40011180	2	44	40072924	8	6	SM8050612TP	4	52
40011189	4	51	40072932	4	61	SM8051002TP	4	82
40011195	4	62	40072933	2	35	SM8060612TP	6	93
40011196	4	64	40072935	4	84	SM8060812TP	4	92
40011197	4	67	40075049	2	42	WP0430800SC	4	56
40011198	4	66	40075355	4	80	WP0450801SP	4	54
40011200	4	73	40079802	2	26	WP0450826SC	8	12
40011202	2	17	40079805	2	36	WP0621046SP	4	69
40011205	8	11	40079808	2	27	WP1021016SD	4	60
40011207	2	12	40079809	2	18	WZ0420350KP	2	28
40011410	8	2	40079810	2	20	WZ0641510KP	2	53
40011411	8	3	40079811	4	58	WZ0641510KP	4	53
40012144	8	7	B3013141H0A	2	9			
40013671	2	6	CS1000881TP	2	4			
40013674	2	11	NM6040002SN	2	25			
40018261	2	38	NM9060610SE	4	70			
40018265	2	13	RE0300000K0	4	71			
40018266	8	8	RE0400000K0	2	41			
40019379	2	16	RE0500000K0	4	63			
40019379	8	10	RE0800000K0	4	59			
40019606	2	22	SB130000500	4	77			
40019621	4	50	SB30800120A	4	83			
40019622	4	68	SD0600406TP	2	23			
40019629	4	74	SL4041491SC	2	10			
40019637	4	78	SL4042091SC	8	5			
40019668	6	95	SM1040950TP	4	86			
40019994	4	76	SM4030455SP	4	65			
40020003	2	2	SM4030655SP	2	39			
40020164	4	72	SM4041055SP	8	13			
40020189	8	4	SM5040655SN	2	14			
40020190	8	1	SM5040655SN	8	9			
40024781	4	47	SM6040602TP	2	33			
40061208	2	1	SM6040802TP	2	57			
40062308	2	45	SM6040802TP	4	57			
40062309	2	32	SM6041002TP	2	29			
40064101	2	30	SM6041202TP	4	55			
40064102	2	34	SM6042002TP	4	75			
40072914	4	87	SM6051002TP	2	8			
40072915	4	91	SM6061202TP	2	7			
40072916	4	88	SM8030312TP	2	37			
40072919	4	89	SM8040360TP	2	15			
40072920	4	85	SM8040412TP	2	46			