

MODEL : IP-110 TYPE-F

List No : 1536-00

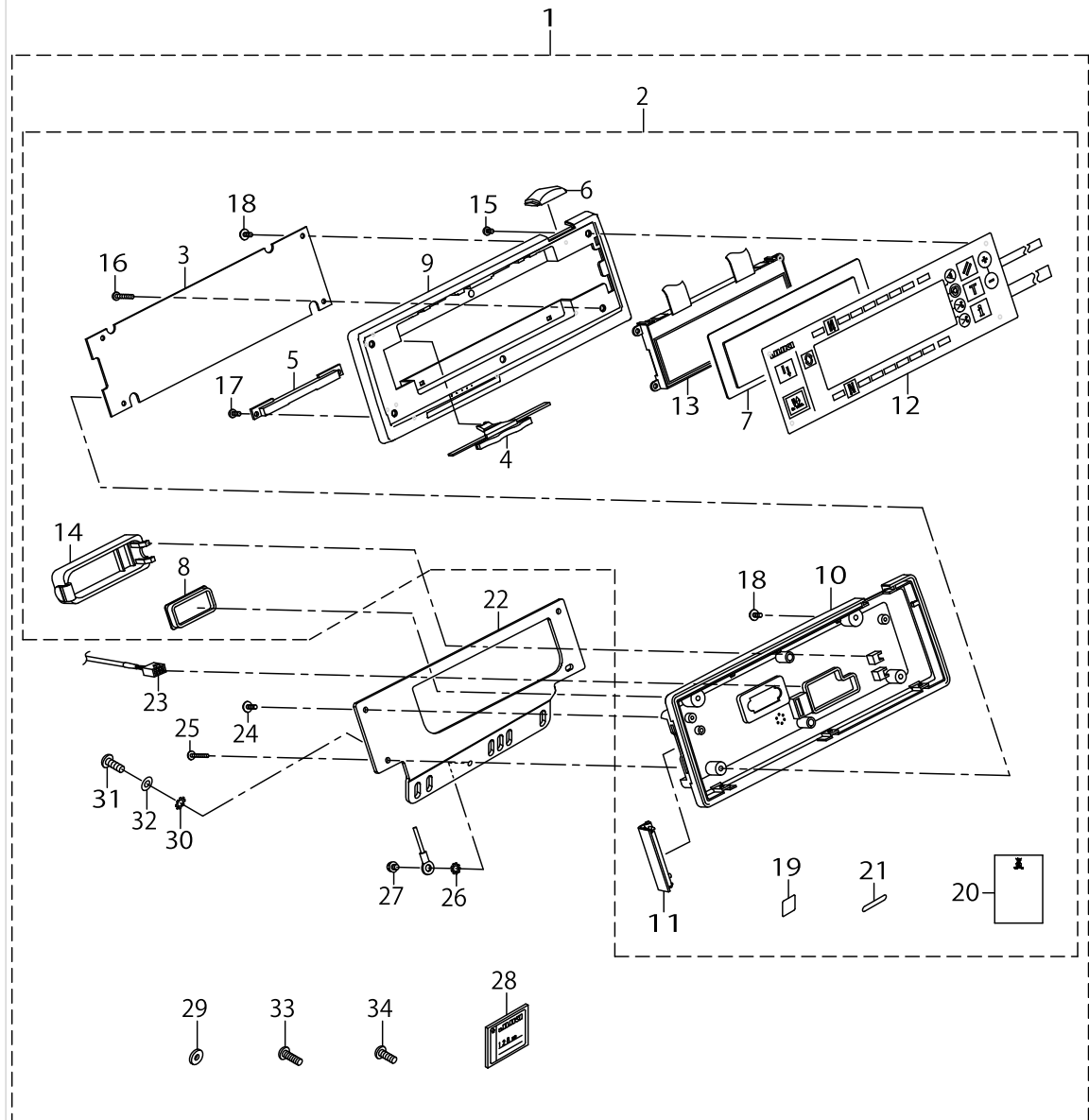
PARTS LIST

Published:05/12/2017

CONTENTS

IP-110 TYPE F.....	1
HOW TO MAKE USE OF THIS PARTS LIST	3

TYPE F



IP-110 TYPE F

No.	Supply Code	Parts No.	Replacement	Parts name	Remarks	Choice	Step	Level	Cons	Qty	Rep. QTY
1		40090136		IP-110 TYPE-F COMPLETE						1	
2	R	40090154	40108871	IP-110 TYPE-F ASSY				*		1	1.00
3	R	40090137	40108871	PANEL PCB ASSY				*		1	1.00
4		40005844		SPEED ADJUSTING KNOB				*		1	
5		40005845		SPEED KNOB SUPPORT				*		1	
6	D	40005846		INDICATION WINDOW				*		1	
7		40005847		LCD COVER				*		1	
8		40005848		D-SUB 9P COVER				*		1	
9	R	40055002	40105708	FRONT PANEL				*		1	1.00
10		40055005		BACK PANEL				*		1	
11		40055007		COMPACTFLASH COVER				*		1	
12		40055194		PANEL SHEET ASSY				*		1	
13		KG000000140		LCD				*		1	
14		M1003371000		CORD EXIT COVER				*		1	
15		SM4030601SC		SCREW M3 X 6				*		3	
16		SM4032001SC		SCREW M3X0.5 L=20				*		1	
17		ST4030851SN		SCREW				*		2	
18	D	SV4030802SN		TAPPING SCREW WITH FLANGE M3X8				*		5	
19		CM600100101		WEEE MARK LABEL S				*		1	
20		CM600100201		WEEE INFORMATION SHEET				*		1	
21		40090146		TYPE LABEL F2A				*		1	
22		40091998		PANEL BRACKET F ASSY				*		1	
23		40090221		PANELCABLEF ASSY				*		1	
24		SV4031001SN		SCREW				*		2	
25		SV4032502SN		SCREW				*		2	
26		WT0430002KN		WASHER M4				*		1	
27		SL4040691SC		SCREW M4 L=6				*		1	
28		40091100		COMPACTFLASH (TM) TYPE-F	OPTIONAL PARTS			*		1	
29		B1144771000		FRAME SIDE COVER GASKET (C)				*		2	
30		WT0530002KS		TOOTHED WASHER D=5.3				*		2	
31		SM4051255SP		SCREW M5 L=12				*		2	
32		WP0531000SD		WASHER M5				*		2	
33		SM4051655SP		SCREW M5 L=16				*		2	
34		SS4121415SP		SCREW 3/16-28 L=14				*		2	

HOW TO MAKE USE OF THIS PARTS LIST

1.As to "#01" and "#02" refer to the "Note" given at the bottom of the respective pages.

2.Codes on the "Qty" column

- Each numeral indicates the number of parts required.
- "0.1" and "2.5" indicate the length (in meters) of the respective parts.

3.Parentheses mean that the corresponding part is a subpart that constructs an assembly part.

4.Dotted lines on the Figures indicate assembly parts.

1. リストページの# 0 1、# 0 2の印は、ページ下の"注記"の説明を参照下さい。
2. 数量欄の数字は、個数を表し、0. 1、2. 5等の数値は、長さ（単位メートル）を表します。
3. 数量欄の（ ）は、組部品を構成している子部品であることを意味します。
4. イラストページの-----枠は、組構成であることを意味します。

NUMERICAL INDEX OF PARTS

PART NO	PAGE	REF NO.
40005844	2	4
40005845	2	5
40005846	2	6
40005847	2	7
40005848	2	8
40055002	2	9
40055005	2	10
40055007	2	11
40055194	2	12
40090136	2	1
40090137	2	3
40090146	2	21
40090154	2	2
40090221	2	23
40091100	2	28
40091998	2	22
B1144771000	2	29
CM600100101	2	19
CM600100201	2	20
KG000000140	2	13
M1003371000	2	14
SL4040691SC	2	27
SM4030601SC	2	15
SM4032001SC	2	16
SM4051255SP	2	31
SM4051655SP	2	33
SS4121415SP	2	34
ST4030851SN	2	17
SV4030802SN	2	18
SV4031001SN	2	24
SV4032502SN	2	25
WP0531000SD	2	32
WT0430002KN	2	26
WT0530002KS	2	30