

MODEL : SC-920 (For China)

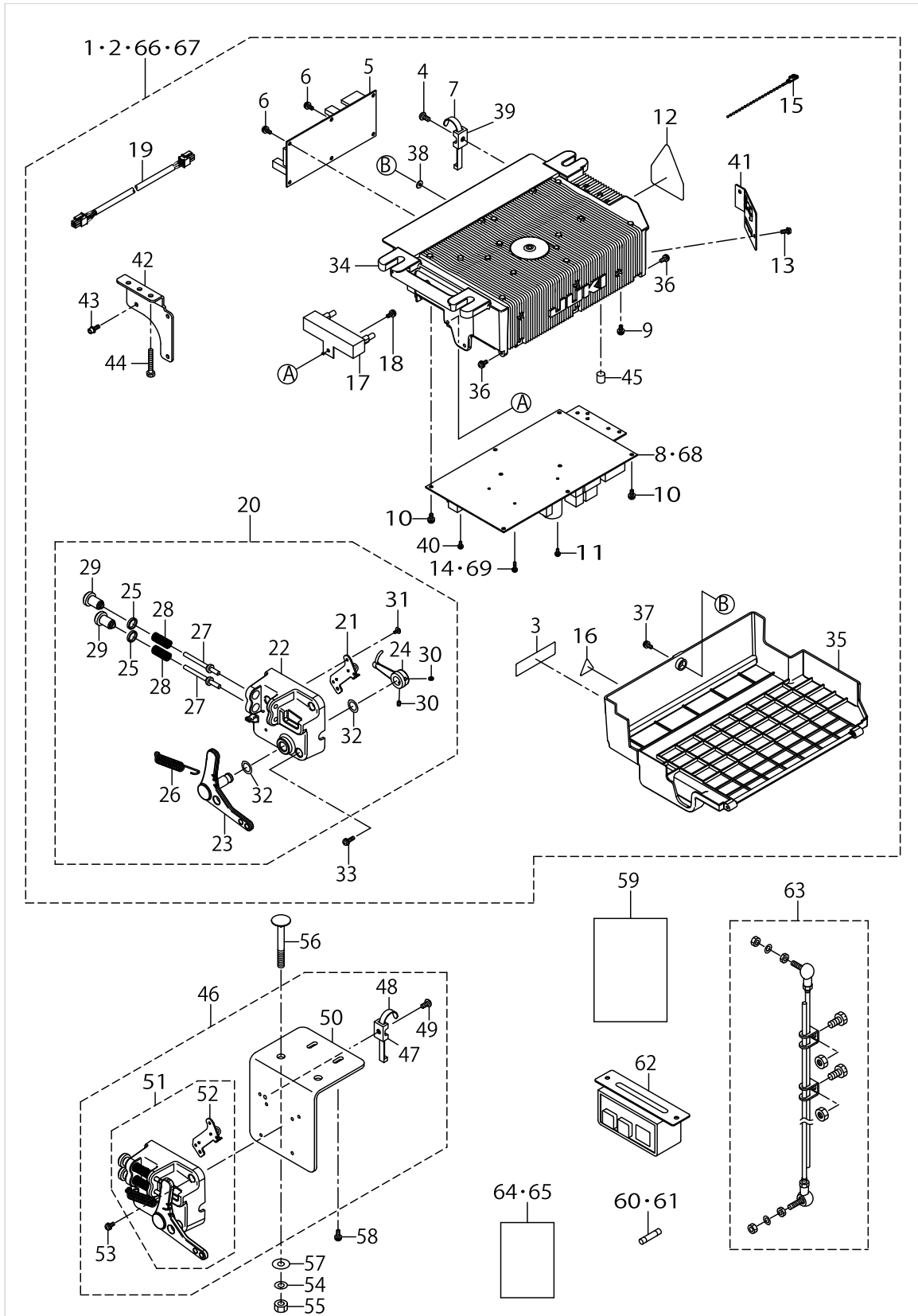
List No : 1531-02

PARTS LIST

Published:05/12/2017

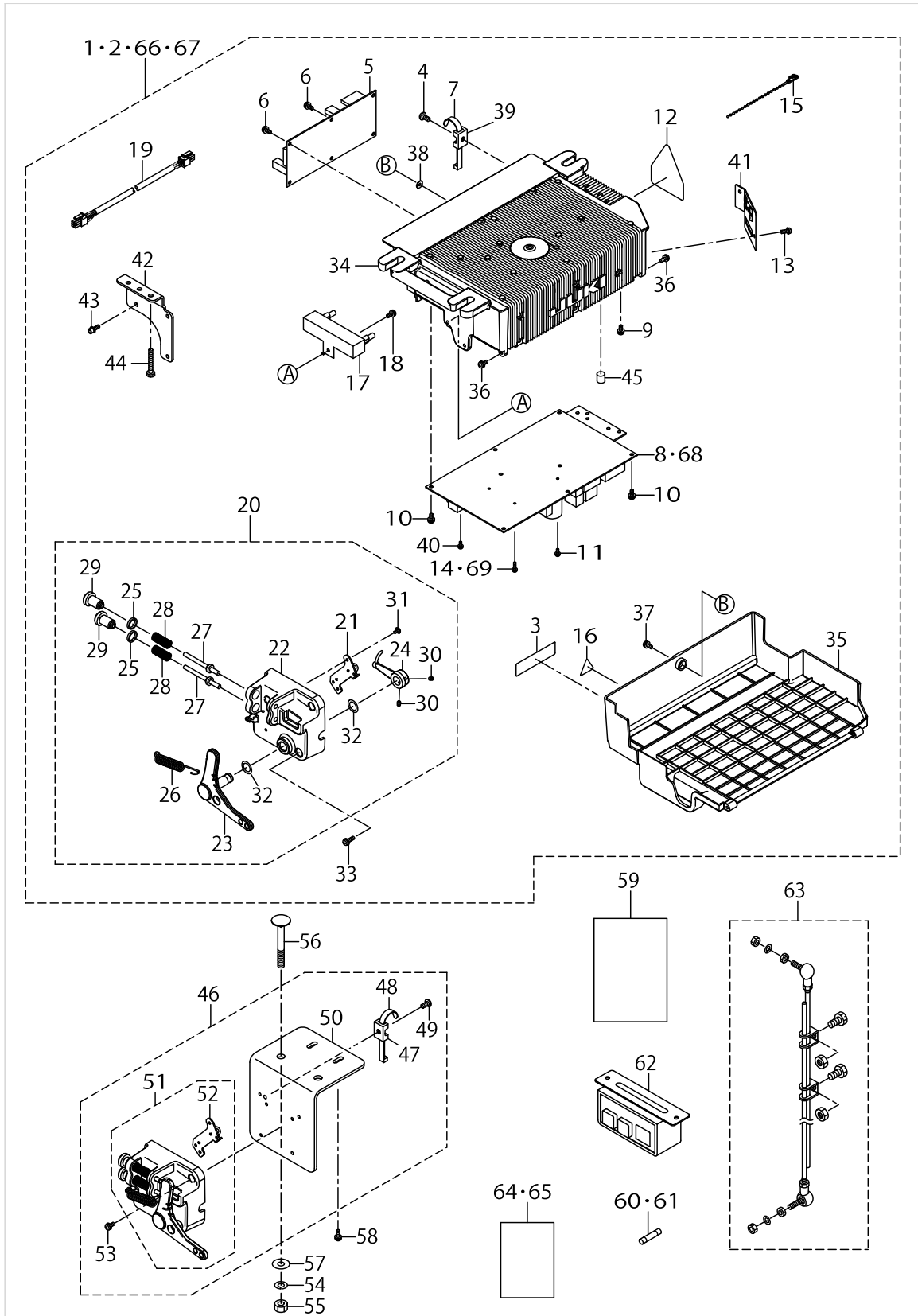
CONTENTS

SC-920.....	1
CP-18 TYPE A.....	9
HOW TO MAKE USE OF THIS PARTS LIST	11



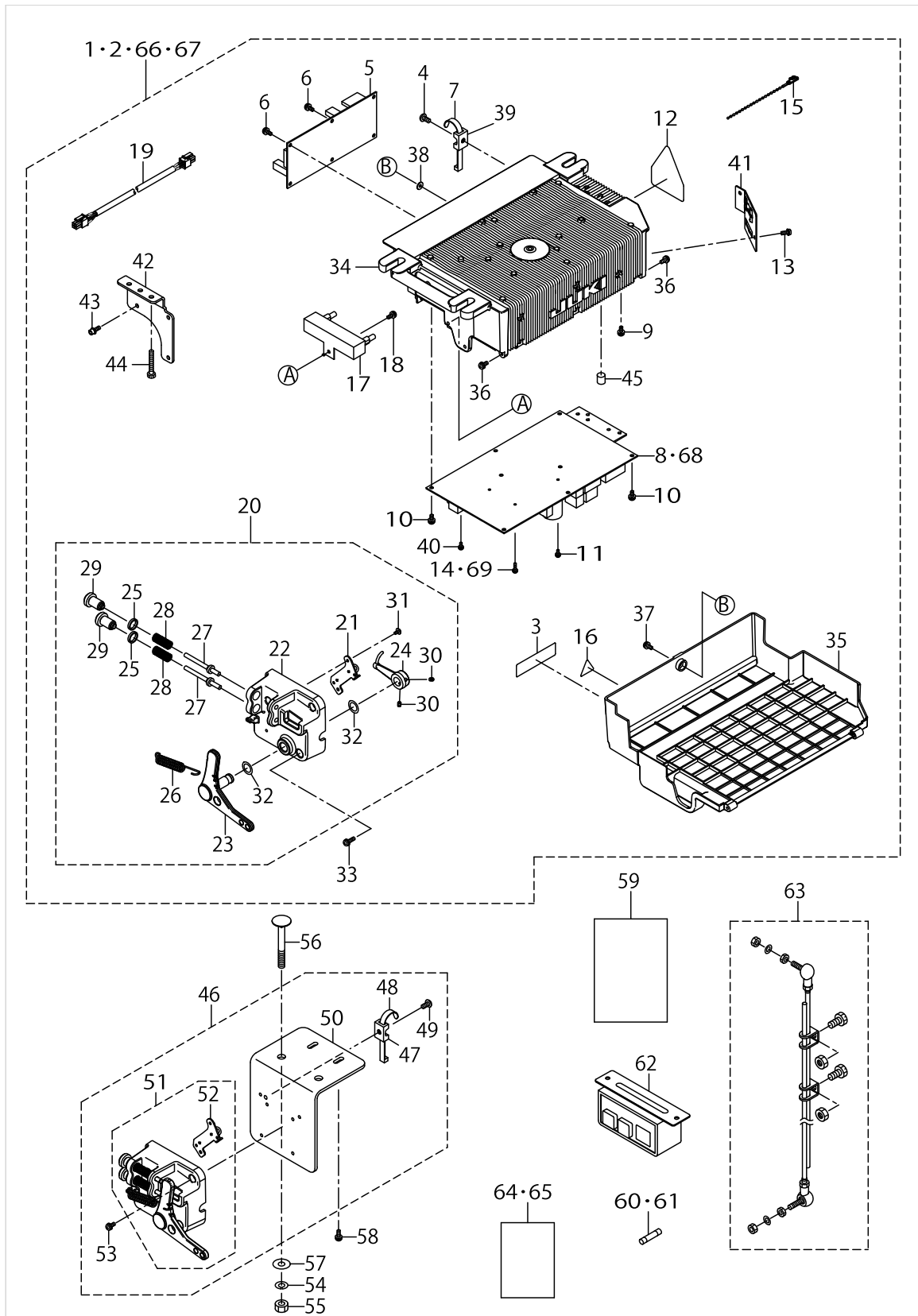
SC-920

No.	Supply Code	Parts No.	Replacement	Parts name	Remarks	Choice	Step	Level	Cons	Qty	Rep. QTY
1		40087114		PSC UNIT 1PHASE 220-240V PFL	SPECIFICATIONS WITH PEDAL					1	
2		40094308		PSC UNIT 1PHASE 220-240V PFL SDL-SP	SEPARATION SPECIFICATIONS PEDAL					1	
3		40088055		RATING LABEL A DRAWING				*		1	
4	R	SM4051001SC	SM4051001SN	SCREW M5 L=10				*		1	1.00
5		40087119		CTL_PCB_ASSY				*		1	
6		SL4041081SC		SCREW M4 L=10				*		6	
7		KX000000230		RELEASIBLE CABLE TIE				*		1	
8		40087129		PWR-S PCB ASSY	SPECIFICATIONS WITH PEDAL, SEPARATION SPECIFICATIONS PEDAL			*		1	
9		SL4040881SC		SCREW M4 L=8				*		3	
10		SL4041081SC		SCREW M4 L=10				*		10	
11		SL4030881SC		SCREW M3 L=8				*		1	
12		CM300400602		VOLTAGE CAUTION LABEL L=25				*		1	
13		SL4041081SC		SCREW M4 L=10				*		2	
14		SL4031081SC		SCREW M3 L=10	SPECIFICATIONS WITH PEDAL, SEPARATION SPECIFICATIONS PEDAL			*		2	
15		KX000000280		BEAD BAND				*		2	
16		CM300100003		VOLTAGE WARNING LABEL(25)				*		1	
17		40087154		RESISTANCE_A_ASSY				*		1	
18		SL4041091SC		SCREW M4 L=10				*		1	
19		40087153		DC POWER SUPPLY CORD ASSY				*		1	
20		40087155		PEDAL_SENSOR_A_ASSY	SPECIFICATIONS WITH PEDAL, SC-920(F) SPECIFICATIONS WITH PEDAL			*		1	
21		40087159		SENSOR COIL HOLD A ASSY	SPECIFICATIONS WITH PEDAL, SC-920(F) SPECIFICATIONS WITH PEDAL			*		1	
22		40042130		PEDAL_SENSOR_BASE				*		1	
23		40087156		PEDAL_LEVER_A				*		1	
24		40042133		PEDAL_LEVER_B				*		1	
25		40006202		ADJUST_NUT				*		2	
26		40006207		FRONT_SPRING				*		1	
27		40006208		SPRING_SHAFT_A				*		2	
28		40049426		SPRING_C				*		2	
29		40006212		ADJUST_SCREW				*		2	
30		SM8040612TP		SCREW M4 L=6				*		2	
31		SV4030601SR		SCREW M3 L=6				*		2	
32		40088315		THRUST COLLAR				*		2	



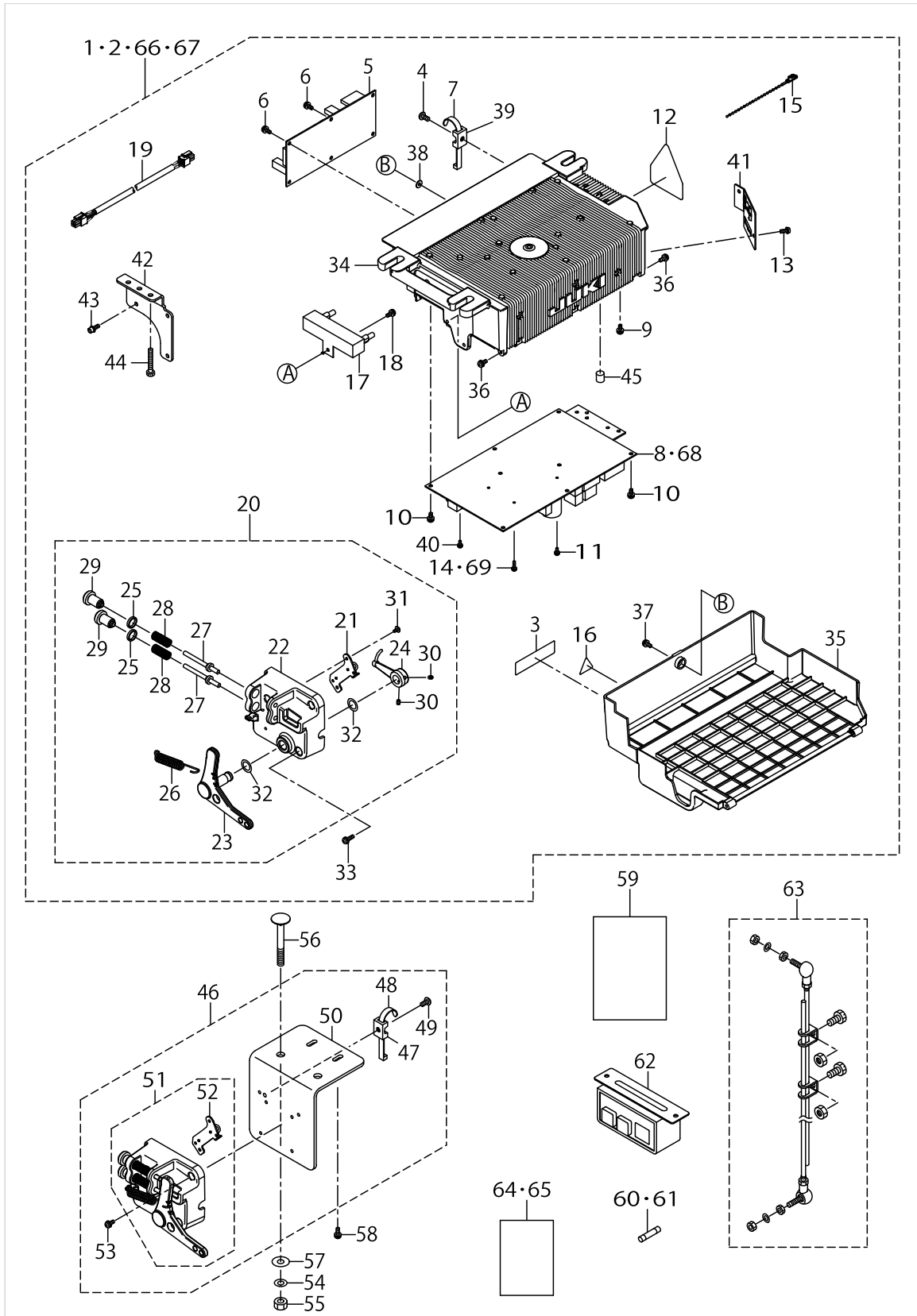
SC-920

No.	Supply Code	Parts No.	Replacement	Parts name	Remarks	Choice	Step	Level	Cons	Qty	Rep. QTY
33		SL4041491SC		SCREW M4 L=14	SPECIFICATIONS WITH PEDAL, SC-920(F) SPECIFICATIONS WITH PEDAL			*		3	
34	D	40087165		FRAME_A				*		1	
35		40087167		UNDER_COVER				*		1	
36		40087157		HING SCREW				*		2	
37		SL4041681SC		SCREW M4 L=16				*		1	
38		M8002430000		STOPPER				*		1	
39		KX000000210		SADDLE TYPE TIE MOUNT				*		1	
40		SL4030881SC		SCREW M3 L=8				*		1	
41		40087168		HOUSING_PLATE_A				*		1	
42		40093424		BOX BRACKET	SEPARATION SPECIFICATIONS PEDAL ,SC-920(F) SEPARATION SPECIFICATIONS PEDAL			*		1	
43		SL6041292TN		SCREW	SEPARATION SPECIFICATIONS PEDAL ,SC-920(F) SEPARATION SPECIFICATIONS PEDAL			*		3	
44		ST9053511SR		TAPPING SCREW M5X35	SEPARATION SPECIFICATIONS PEDAL ,SC-920(F) SEPARATION SPECIFICATIONS PEDAL			*		2	
45		40088316		RUBBER_CUSHION				*		2	
46		40094262		PEDAL SENSOR BASE ASSY	SEPARATION SPECIFICATIONS PEDAL ,SC-920(F) SEPARATION SPECIFICATIONS PEDAL					1	
47		KX000000210		SADDLE TYPE TIE MOUNT	SEPARATION SPECIFICATIONS PEDAL ,SC-920(F) SEPARATION SPECIFICATIONS PEDAL			*		1	
48		KX000000230		RELEASIBLE CABLE TIE	SEPARATION SPECIFICATIONS PEDAL ,SC-920(F) SEPARATION SPECIFICATIONS PEDAL			*		1	



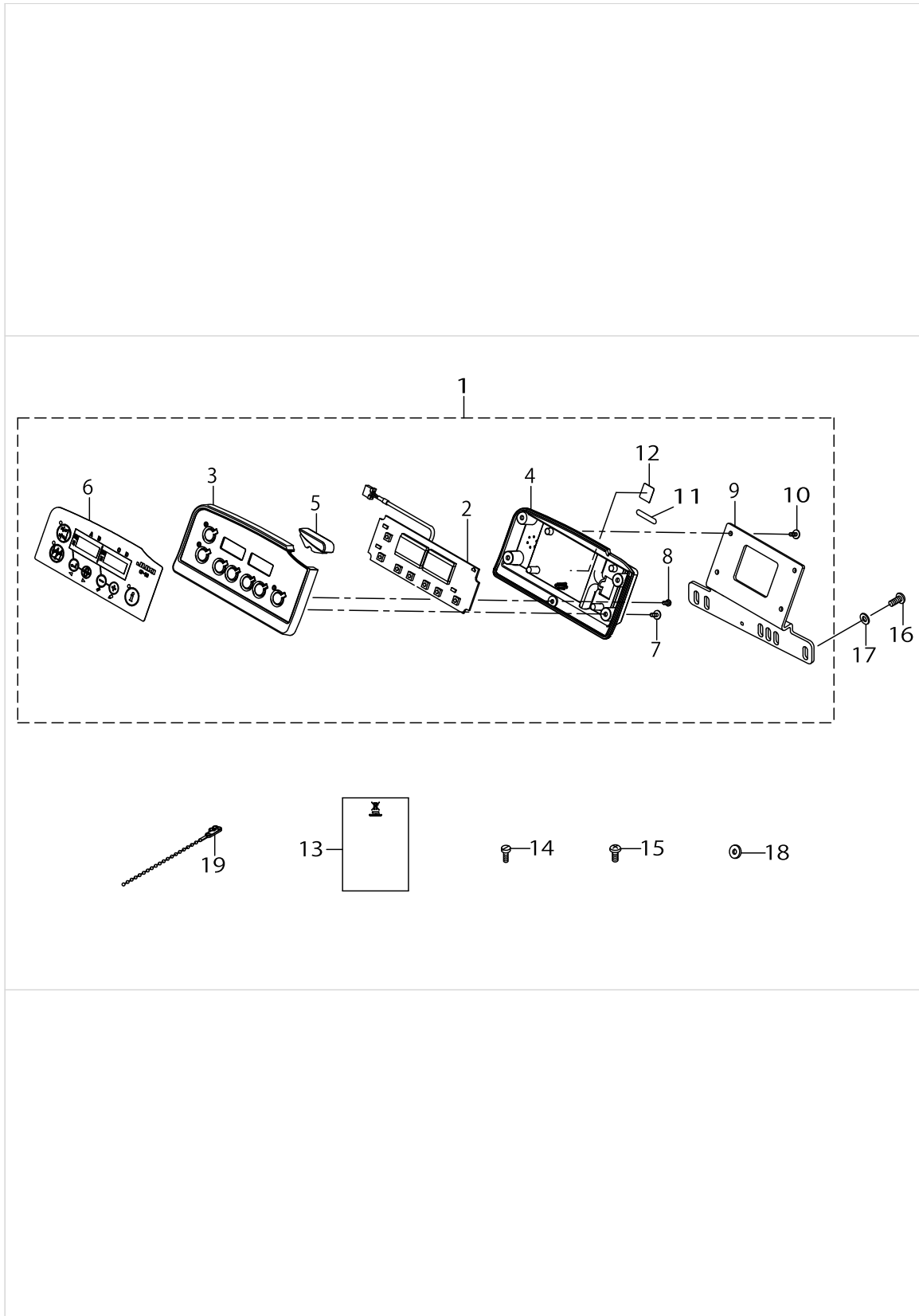
SC-920

No.	Supply Code	Parts No.	Replacement	Parts name	Remarks	Choice	Step	Level	Cons	Qty	Rep. QTY
49	R	SM4051001SC	SM4051001SN	SCREW M5 L=10	SEPARATION SPECIFICATIONS PEDAL ,SC-920(F) SEPARATION SPECIFICATIONS PEDAL			*		1	1.00
50	R	40093423	40099913	SENSOR BRACKET				*		1	1.00
51		40094259		PEDAL SENSOR ASM.				*		1	
52		40094260		SENSOR COIL HOLD ASSY				*		1	
53		SL4041091SC		SCREW M4 L=10				*		3	
54		WS0820002KR		SPRING WASHER, M8	SEPARATION SPECIFICATIONS PEDAL ,SC-920(F) SEPARATION SPECIFICATIONS PEDAL					1	
55		NM6080002SC		NUT M8	SEPARATION SPECIFICATIONS PEDAL ,SC-920(F) SEPARATION SPECIFICATIONS PEDAL					1	
56		MTSHJ100003		BOLT	SEPARATION SPECIFICATIONS PEDAL ,SC-920(F) SEPARATION SPECIFICATIONS PEDAL					1	
57		WP0851846SC		WASHER 8.5X22.0X1.8	SEPARATION SPECIFICATIONS PEDAL ,SC-920(F) SEPARATION SPECIFICATIONS PEDAL					1	
58		SL4051291SC		SCREW M5X0.8 L=12	SEPARATION SPECIFICATIONS PEDAL ,SC-920(F) SEPARATION SPECIFICATIONS PEDAL					2	
59		40087112		INSTRUCTION MANUAL 4L(CHN SALE)						1	
60		KF000000030		SLO-BLO FUSE						1	
61		KF000000080		SLO-BLO FUSE						1	
62		M6101471CA0		POWER SWITCH C ASM.						1	
63		40088314		CONNECING_ROD_ASSY						1	
64		40099341		SAFETY INSTRUCTION MANUAL	SPECIFICATIONS WITH PEDAL, SC-920(F) SPECIFICATIONS WITH PEDAL					1	



SC-920

No.	Supply Code	Parts No.	Replacement	Parts name	Remarks	Choice	Step	Level	Cons	Qty	Rep. QTY
65		40100155		SAFETY INSTRUCTION MANUAL	SEPARATION SPECIFICATIONS PEDAL, SC-920(F) SEPARATION SPECIFICATIONS PEDAL					1	
66		40099980		PSC UNIT(F) 1PHASE 220-240V PFL	SC-920(F) SPECIFICATIONS WITH PEDAL					1	
67		40100394		PSC UNIT(F) 1PHASE 220-240V PFL PDL-SP	SC-920(F) SEPARATION SPECIFICATIONS PEDAL					1	
68	D	40099351		PWR-S(F) PCB ASSY	SC-920(F) SPECIFICATIONS WITH PEDAL, SC-920(F) SEPARATION SPECIFICATIONS PEDAL			*		1	
69		SL4031291SC		SCREW M3X12	SC-920(F) SPECIFICATIONS WITH PEDAL, SC-920(F) SEPARATION SPECIFICATIONS PEDAL			*		2	



CP-18 TYPE A

No.	Supply Code	Parts No.	Replacement	Parts name	Remarks	Choice	Step	Level	Cons	Qty	Rep. QTY
1		40088334		CP-18 TYPE A						1	
2		40088126		CP PCB ASSY				*		1	
3		40088347		FRONT_CASE				*		1	
4		40088348		REAR_CASE				*		1	
5		40088349		INDICATOR				*		1	
6		40088351		PANEL SHEET				*		1	
7	D	SV4030802SN		TAPPING SCREW W- ITH FLANGE M3X8				*		4	
8	D	ST4030651SN		SCREW M3 X 6				*		1	
9		40088350		PANEL BRACKET_A				*		1	
10	D	SV4030802SN		TAPPING SCREW W- ITH FLANGE M3X8				*		4	
11		40044616		TYPE LABEL A				*		1	
12		CM600100101		WEEE MARK LABEL S	TYPE CE			*		1	
13		CM600100201		WEEE INFORMATION SHEET						1	
14		SS6111210SP		SCREW11/64-40L=12						2	
15		SS4121215SP		SCREW 3/16-28 L=12						2	
16		SM4051255SP		SCREW..M5 L=12.						2	
17		WP0501016SD		WASHER 5X10.5X1						4	
18		B1144771000		FRAME SIDE COVER GASKET (C)						4	
19		KX000000280		BEAD BAND						1	

HOW TO MAKE USE OF THIS PARTS LIST

1.As to "#01" and "#02" refer to the "Note" given at the bottom of the respective pages.

2.Codes on the "Qty" column

- Each numeral indicates the number of parts required.
- "0.1" and "2.5" indicate the length (in meters) of the respective parts.

3.Parentheses mean that the corresponding part is a subpart that constructs an assembly part.

4.Dotted lines on the Figures indicate assembly parts.

1. リストページの# 0 1、# 0 2の印は、ページ下の"注記"の説明を参照下さい。
2. 数量欄の数字は、個数を表し、0. 1、2. 5等の数値は、長さ（単位メートル）を表します。
3. 数量欄の（ ）は、組部品を構成している子部品であることを意味します。
4. イラストページの-----枠は、組構成であることを意味します。

NUMERICAL INDEX OF PARTS

PART NO	PAGE	REF NO.	PART NO	PAGE	REF NO.
40006202	2	25	CM300400602	2	12
40006207	2	26	CM600100101	10	12
40006208	2	27	CM600100201	10	13
40006212	2	29	KF000000030	6	60·61
40042130	2	22	KF000000080	6	60·61
40042133	2	24	KX000000210	4	47
40044616	10	11	KX000000230	2	48
40049426	2	28	KX000000230	4	48
40087112	6	59	KX000000280	2	15
40087114	2	1·2·66·67	KX000000280	10	19
40087119	2	5	M6101471CA0	6	62
40087129	2	8·68	M8002430000	4	38
40087153	2	19	MTSHJ100003	6	56
40087154	2	17	NM6080002SC	6	55
40087155	2	20	SL4030881SC	2	40
40087156	2	23	SL4030881SC	4	40
40087157	4	36	SL4031081SC	2	14·69
40087159	2	21	SL4031291SC	8	14·69
40087165	4	34	SL4040881SC	2	9
40087167	4	35	SL4041081SC	2	13
40087168	4	41	SL4041091SC	2	53
40088055	2	3	SL4041091SC	6	53
40088126	10	2	SL4041491SC	4	33
40088314	6	63	SL4041681SC	4	37
40088315	2	32	SL4051291SC	6	58
40088316	4	45	SL6041292TN	4	43
40088334	10	1	SM4051001SC	2	49
40088347	10	3	SM4051001SC	6	49
40088348	10	4	SM4051255SP	10	16
40088349	10	5	SM8040612TP	2	30
40088350	10	9	SS4121215SP	10	15
40088351	10	6	SS6111210SP	10	14
40093423	6	50	ST4030651SN	10	8
40093424	4	42	ST9053511SR	4	44
40094259	6	51	SV4030601SR	2	31
40094260	6	52	SV4030802SN	10	10
40094262	4	46	WP0501016SD	10	17
40094308	2	1·2·66·67	WP0851846SC	6	57
40099341	6	64·65	WS0820002KR	6	54
40099351	8	8·68			
40099980	8	1·2·66·67			
40100155	8	64·65			
40100394	8	1·2·66·67			
B1144771000	10	18			
CM300100003	2	16			