

MODEL : FU-07
List No : 1547-00

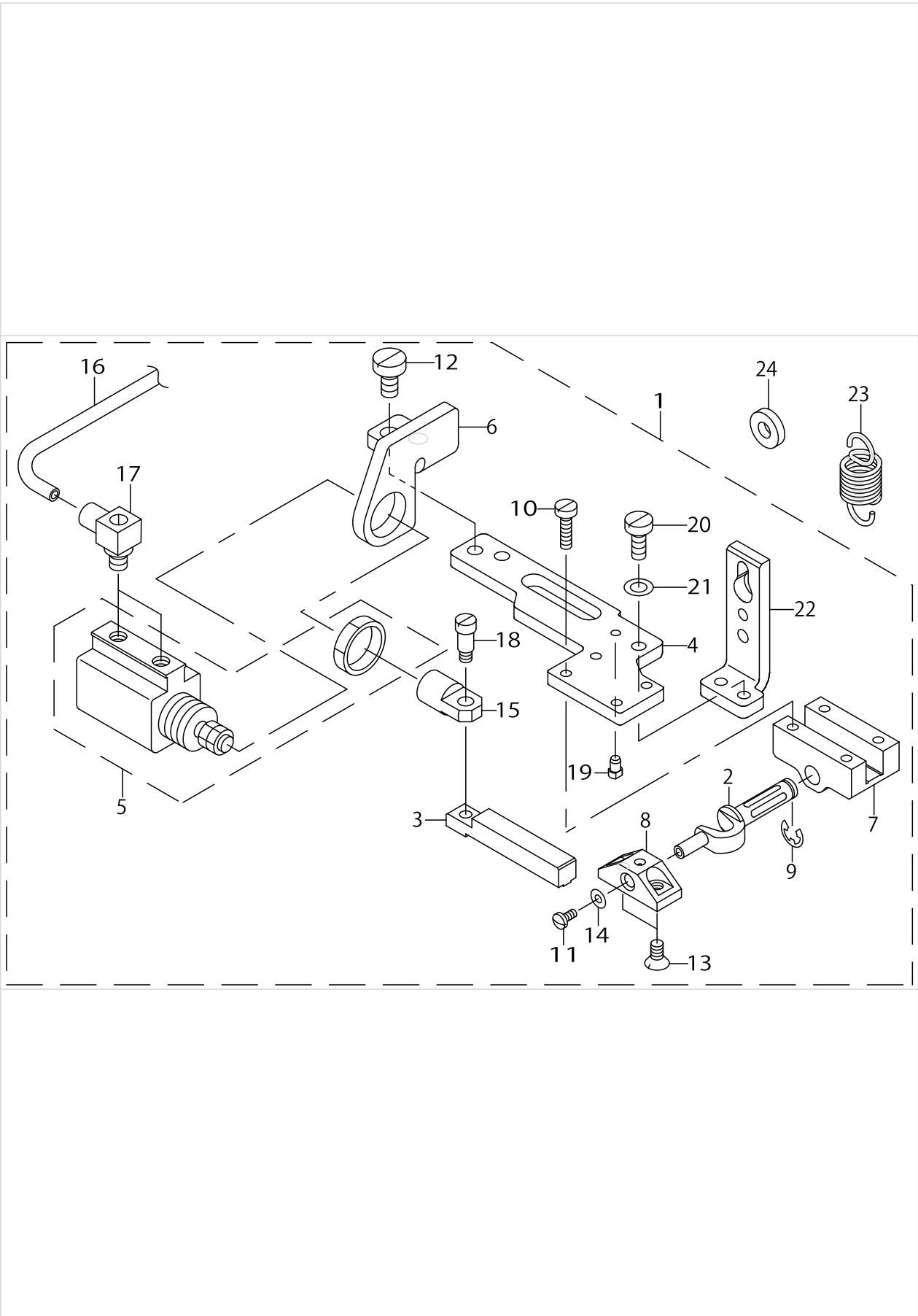
PARTS LIST

Published:05/12/2017

CONTENTS

TUAN AROUND MECHANISM COMPONENTS (1).....	1
TUAN AROUND MECHANISM COMPONENTS (2).....	3
PNEUMATIC COMPONENTS	5
HOW TO MAKE USE OF THIS PARTS LIST	7

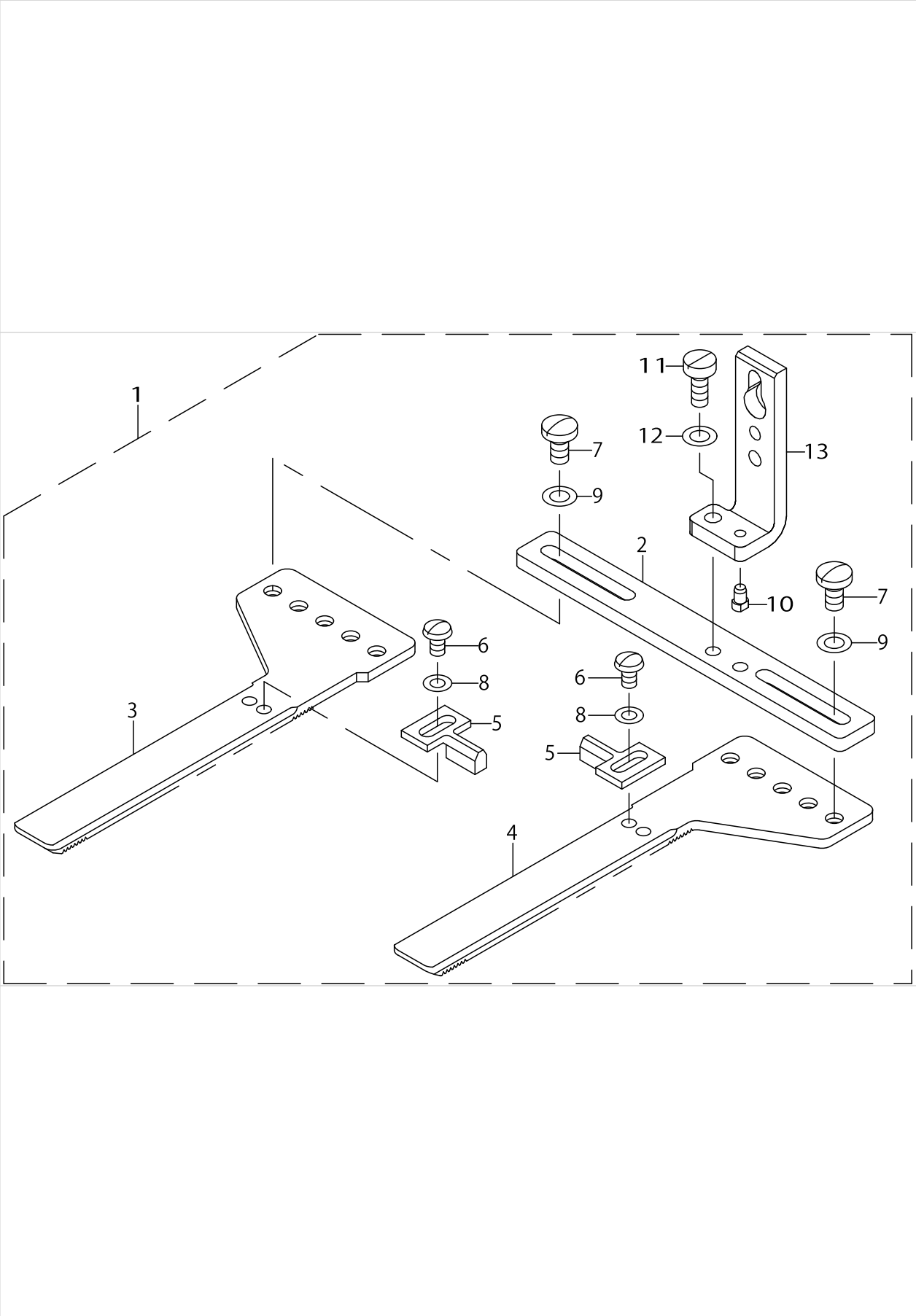
TUAN AROUND MECHANISM COMPONENTS (1)



TUAN AROUND MECHANISM COMPONENTS (1)

No.	Supply Code	Parts No.	Replacement	Parts name	Remarks	Choice	Step	Level	Cons	Qty	Rep. QTY
1		40089686		FU INTERMEDIATE PRESSER ASM.						1	
2		GFU01001000		TURN AROUND CRANK SHAFT				*		1	
3		GFU01002000		INVERTING LAC				*		1	
4		40089688		FU INTERMEDIATE PRESSER PLATE				*		1	
5		PA1600801A0		AIR CYLINDER				*		1	
6		GFU01006000		TURN CYLINDER BRACKET				*		1	
7		B4303210000		TURN AROUND CRANK BEARING				*		1	
8		B4314210000		INTERMEDIATE PRESSER BASE				*		1	
9		RE0400000K0		E-RING 4				*		1	
10		SS6081210SP		SCREW 1/8-44 L=12				*		4	
11		SS7060610SP		SCREW 3/32-56 L=5.5				*		1	
12		SS6120940SP		SCREW 3/16-28 L=9				*		2	
13		SS1090750SP		SCREW 9/64-40 L=7				*		2	
14		WP0250516SD		WASHER 2.5X6X0.5				*		1	
15		B4306220000		KNUCKLE				*		1	
16		BT0400251EB		URETHANE HOSE, BLACK				*		1.3	
17		PJ046052503		HOSE ELBOW				*		2	
18		SD0460703TP		HINGE SCREW D=4.6 H=7				*		1	
19		B1816280000		GUIDE PIN				*		1	
20		SM6041000SP		SCREW M4 L=10				*		1	
21		WP0480856SP		WASHER 4.8X8.4X0.8				*		1	
22		40089687		FU INTERMEDIATE PRESSER LEFT				*		1	
23		GFU01007000		SPRING						1	
24		WP0502616SD		WASHER						1	

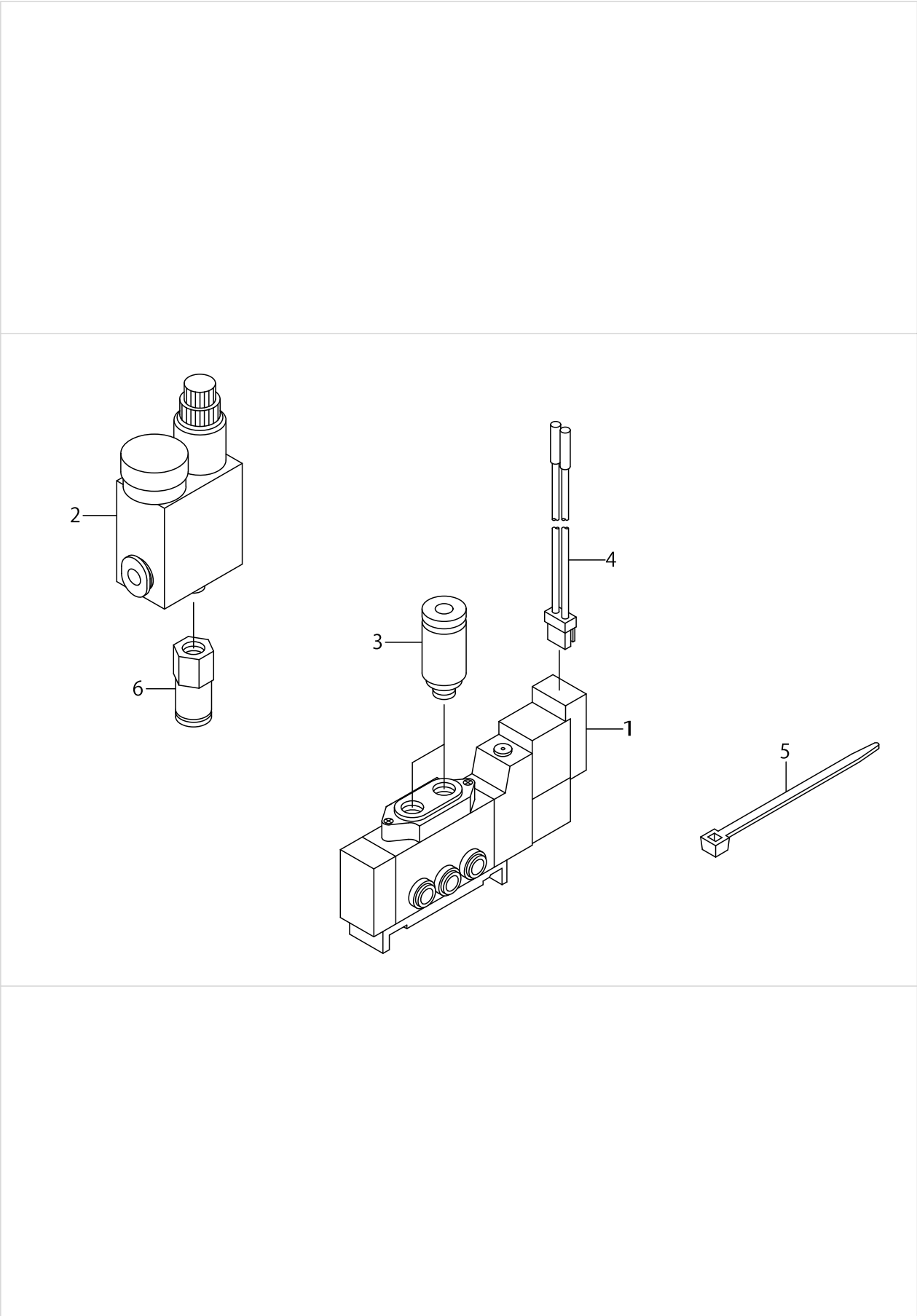
TUAN AROUND MECHANISM COMPONENTS (2)



TUAN AROUND MECHANISM COMPONENTS (2)

No.	Supply Code	Parts No.	Replacement	Parts name	Remarks	Choice	Step	Level	Cons	Qty	Rep. QTY
1		40089689		FU OUTER PRESSER ASM.						1	
2		40089691		FU OUTER PRESSER PLATE				*		1	
3		D255121XX00		WALKING FOOT (A)				*		1	
4		D255221XX00		WALKING FOOT (B)				*		1	
5		D255421XX00		COMPENSATING FOOT				*		2	
6		SS5090610SP		SCREW 9/64-40 L=6				*		2	
7		SS7110840SP		SCREW 11/64-40 L=7.8				*		4	
8		WP0371026SD		WASHER 3.7X7X1				*		2	
9		WP0480856SP		WASHER 4.8X8.4X0.8				*		4	
10		B1816280000		GUIDE PIN				*		1	
11		SM6040800SP		SCREW				*		1	
12		WP0480856SP		WASHER 4.8X8.4X0.8				*		1	
13		40089690		FU OUTER PRESSER RIGHT				*		1	

PNEUMATIC COMPONENTS



PNEUMATIC COMPONENTS

No.	Supply Code	Parts No.	Replacement	Parts name	Remarks	Choice	Step	Level	Cons	Qty	Rep. QTY
1		PV150209100		SOLENOID VALVE						1	
2		PF0205030A0		REGULATOR						1	
3		PJ301040505		HALF UNION						2	
4		40035324		SOLENOID VALVE CONNECTER ASM.						1	
5		EA9500B0100		CABLE BAND						3	
6		PJ301040507		UNION						1	

HOW TO MAKE USE OF THIS PARTS LIST

1.As to "#01" and "#02" refer to the "Note" given at the bottom of the respective pages.

2.Codes on the "Qty" column

- Each numeral indicates the number of parts required.
- "0.1" and "2.5" indicate the length (in meters) of the respective parts.

3.Parentheses mean that the corresponding part is a subpart that constructs an assembly part.

4.Dotted lines on the Figures indicate assembly parts.

1. リストページの# 0 1、# 0 2の印は、ページ下の"注記"の説明を参照下さい。
2. 数量欄の数字は、個数を表し、0. 1、2. 5等の数値は、長さ（単位メートル）を表します。
3. 数量欄の（ ）は、組部品を構成している子部品であることを意味します。
4. イラストページの-----枠は、組構成であることを意味します。

NUMERICAL INDEX OF PARTS

PART NO	PAGE	REF NO.
40035324	6	4
40089686	2	1
40089687	2	22
40089688	2	4
40089689	4	1
40089690	4	13
40089691	4	2
B1816280000	2	19
B1816280000	4	10
B4303210000	2	7
B4306220000	2	15
B4314210000	2	8
BT0400251EB	2	16
D255121XX00	4	3
D255221XX00	4	4
D255421XX00	4	5
EA9500B0100	6	5
GFU01001000	2	2
GFU01002000	2	3
GFU01006000	2	6
GFU01007000	2	23
PA1600801A0	2	5
PF0205030A0	6	2
PJ046052503	2	17
PJ301040505	6	3
PJ301040507	6	6
PV150209100	6	1
RE0400000K0	2	9
SD0460703TP	2	18
SM6040800SP	4	11
SM6041000SP	2	20
SS1090750SP	2	13
SS5090610SP	4	6
SS6081210SP	2	10
SS6120940SP	2	12
SS7060610SP	2	11
SS7110840SP	4	7
WP0250516SD	2	14
WP0371026SD	4	8
WP0480856SP	2	21
WP0480856SP	4	12
WP0502616SD	2	24