

MODEL : SC-922 (For China)

List No : 1558-00

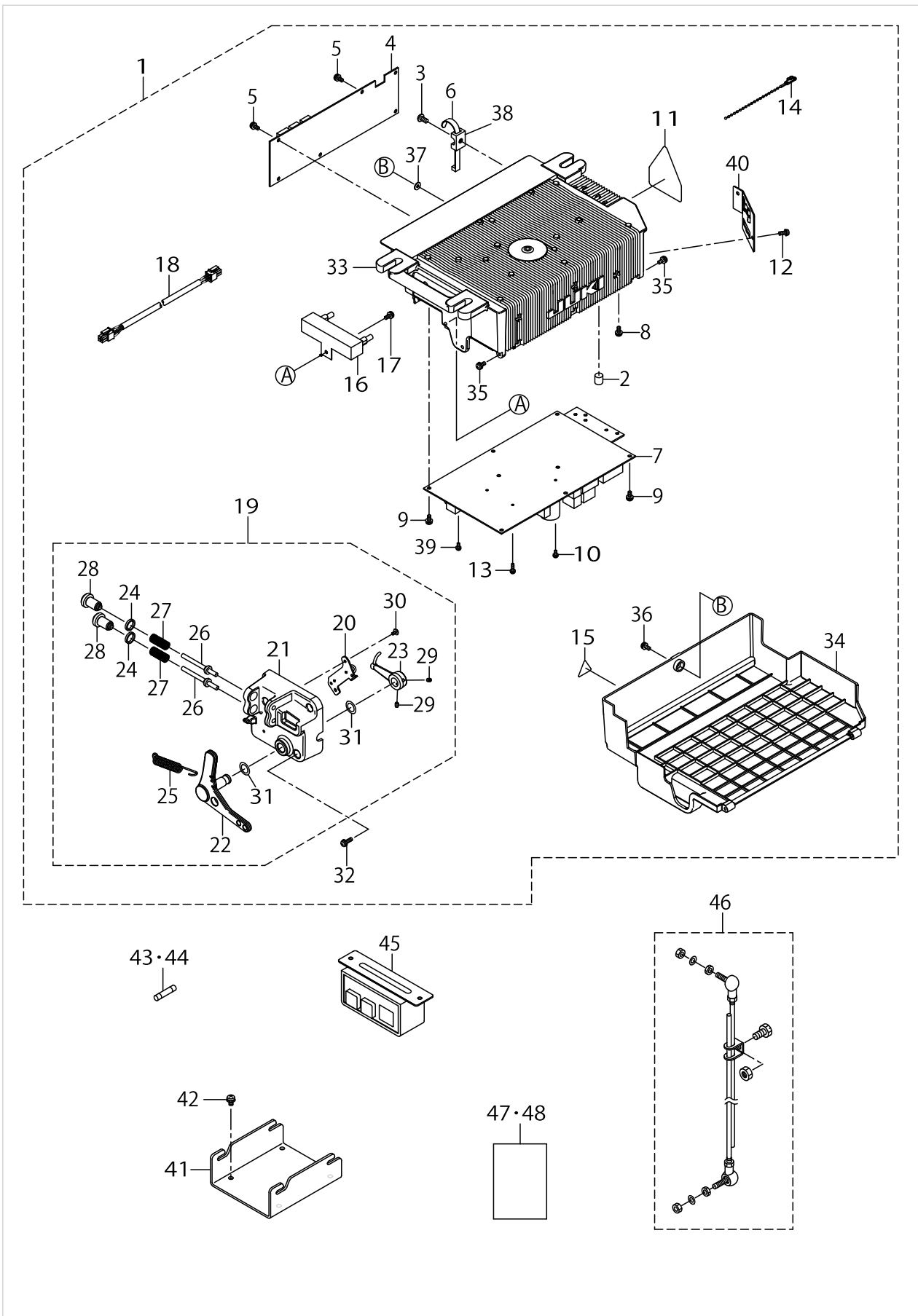
# PARTS LIST

Published:05/12/2017

## CONTENTS

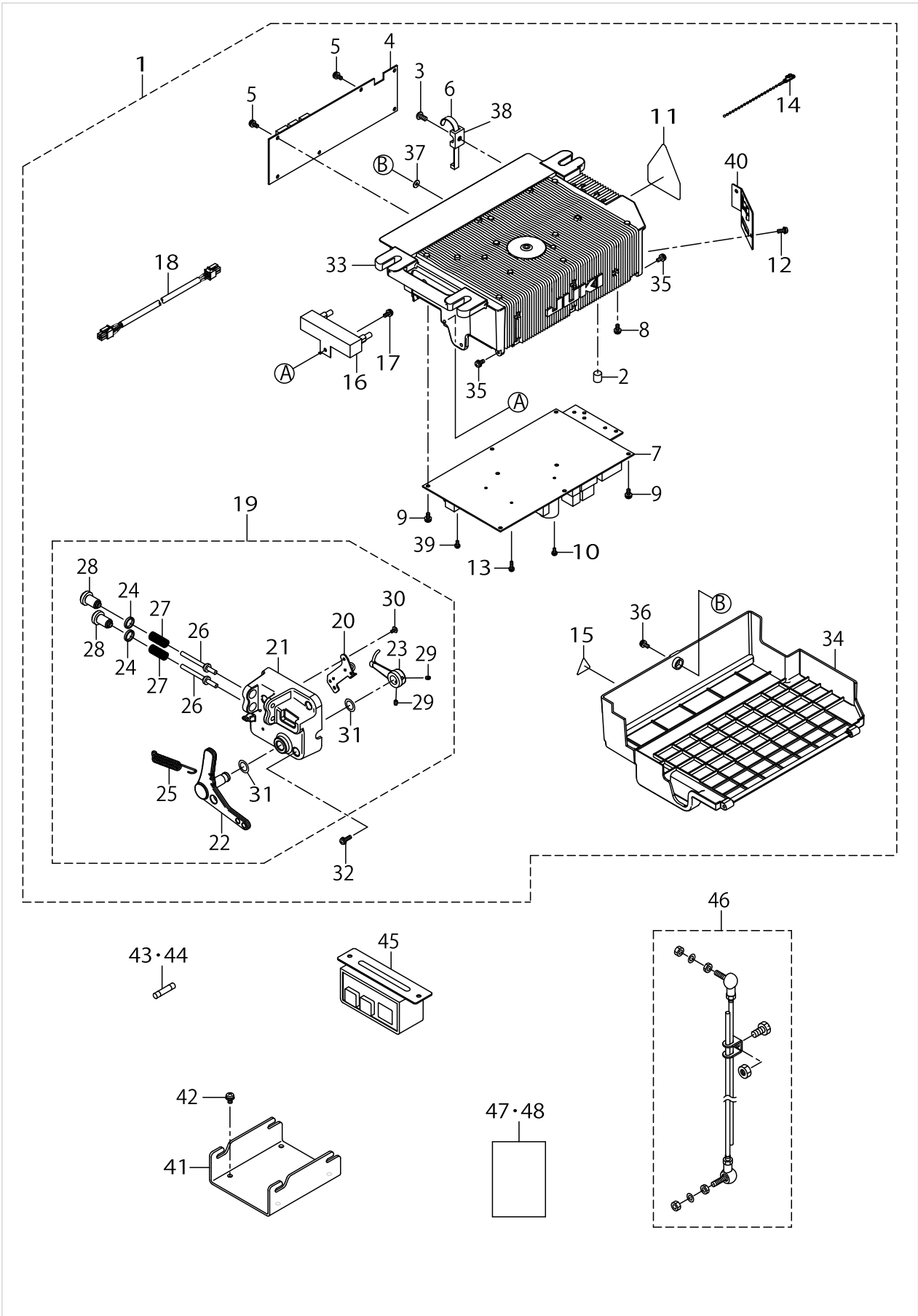
---

|  |   |
|--|---|
| SC-922 .....                             | 1 |
| M51N .....                               | 5 |
| HOW TO MAKE USE OF THIS PARTS LIST ..... | 7 |



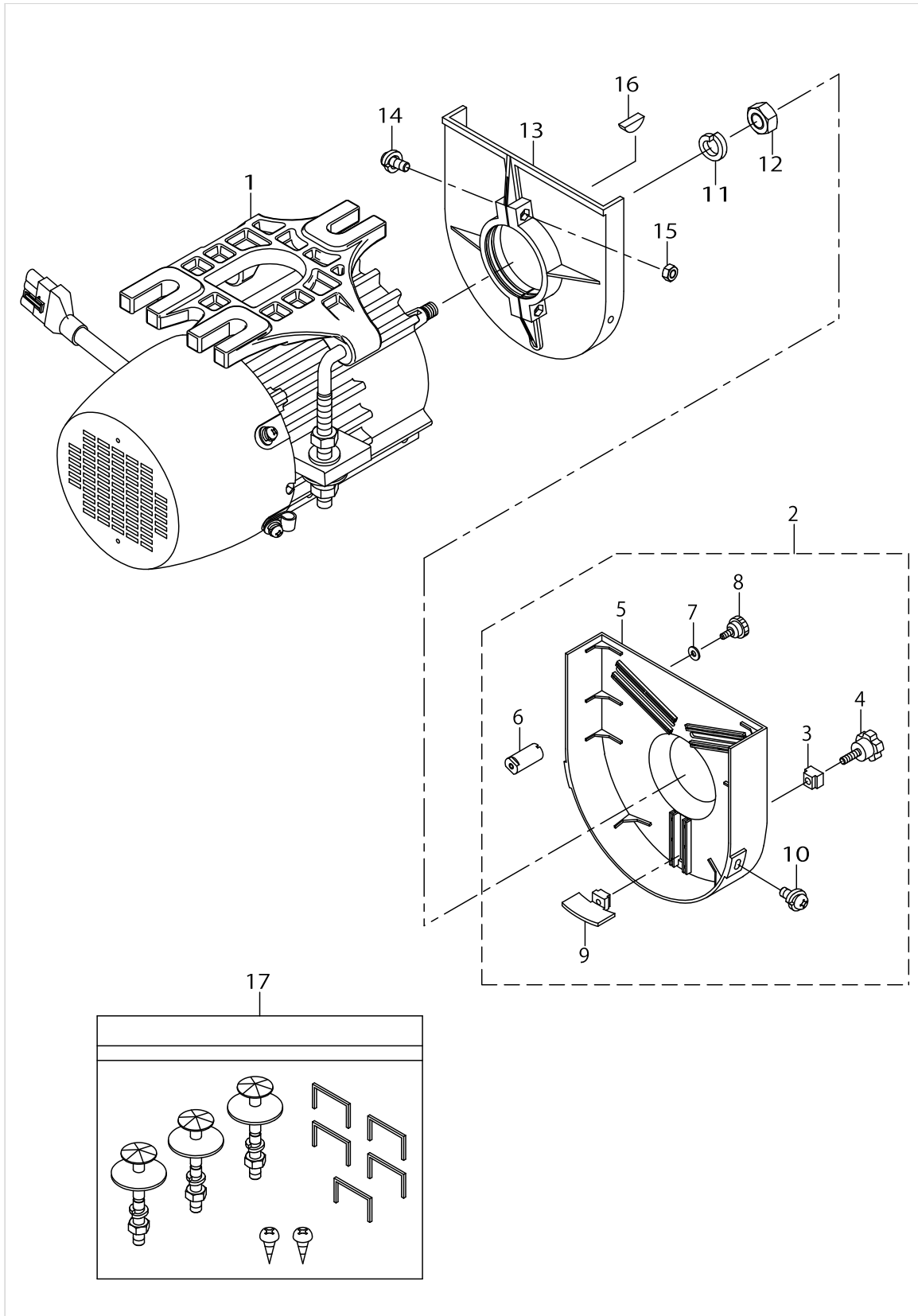
SC-922

| No. | Supply Code | Parts No.   | Replacement | Parts name                   | Remarks | Choice | Step | Level | Cons | Qty | Rep. QTY |
|-----|-------------|-------------|-------------|------------------------------|---------|--------|------|-------|------|-----|----------|
| 1   |             | 40101495    |             | PSC UNIT 1PHASE 220-240V PFL |         |        |      |       |      | 1   |          |
| 2   |             | 40088316    |             | RUBBER_CUSHION               |         |        |      | *     |      | 2   |          |
| 3   | R           | SM4051001SC | SM4051001SN | SCREW M5 L=10                |         |        |      | *     |      | 1   | 1.00     |
| 4   |             | 40101476    |             | CTL_PCB ASSY                 |         |        |      | *     |      | 1   |          |
| 5   |             | SL4041081SC |             | SCREW M4 L=10                |         |        |      | *     |      | 6   |          |
| 6   |             | KX000000230 |             | RELEASIBLE CABLE TIE         |         |        |      | *     |      | 1   |          |
| 7   |             | 40101479    |             | PWR-S_PCB ASSY               |         |        |      | *     |      | 1   |          |
| 8   |             | SL4040881SC |             | SCREW M4 L=8                 |         |        |      | *     |      | 3   |          |
| 9   |             | SL4041081SC |             | SCREW M4 L=10                |         |        |      | *     |      | 10  |          |
| 10  |             | SL4030881SC |             | SCREW M3 L=8                 |         |        |      | *     |      | 1   |          |
| 11  |             | CM300400602 |             | VOLTAGE CAUTION LABEL L=25   |         |        |      | *     |      | 1   |          |
| 12  |             | SL4041081SC |             | SCREW M4 L=10                |         |        |      | *     |      | 2   |          |
| 13  |             | SL4031081SC |             | SCREW M3 L=10                |         |        |      | *     |      | 2   |          |
| 14  |             | KX000000280 |             | BEAD BAND                    |         |        |      | *     |      | 2   |          |
| 15  |             | CM300100003 |             | VOLTAGE WARNING LABEL(25)    |         |        |      | *     |      | 1   |          |
| 16  |             | 40087154    |             | RESISTANCE_A_ASSY            |         |        |      | *     |      | 1   |          |
| 17  |             | SL4041091SC |             | SCREW M4 L=10                |         |        |      | *     |      | 1   |          |
| 18  |             | 40087153    |             | DC POWER SUPPLY CORD ASSY    |         |        |      | *     |      | 1   |          |
| 19  |             | 40087155    |             | PEDAL_SENSOR_A_ASSY          |         |        |      | *     |      | 1   |          |
| 20  |             | 40087159    |             | SENSOR COIL HOLD A ASSY      |         |        |      | *     |      | 1   |          |
| 21  |             | 40042130    |             | PEDAL_SENSOR_BASE            |         |        |      | *     |      | 1   |          |
| 22  |             | 40087156    |             | PEDAL_LEVER_A                |         |        |      | *     |      | 1   |          |
| 23  |             | 40042133    |             | PEDAL_LEVER_B                |         |        |      | *     |      | 1   |          |
| 24  |             | 40006202    |             | ADJUST_NUT                   |         |        |      | *     |      | 2   |          |
| 25  |             | 40006207    |             | FRONT_SPRING                 |         |        |      | *     |      | 1   |          |
| 26  |             | 40006208    |             | SPRING_SHAFT_A               |         |        |      | *     |      | 2   |          |
| 27  |             | 40049426    |             | SPRING_C                     |         |        |      | *     |      | 2   |          |
| 28  |             | 40006212    |             | ADJUST_SCREW                 |         |        |      | *     |      | 2   |          |
| 29  |             | SM8040612TP |             | SCREW M4 L=6                 |         |        |      | *     |      | 2   |          |
| 30  |             | SV4030601SR |             | SCREW M3 L=6                 |         |        |      | *     |      | 2   |          |
| 31  |             | 40088315    |             | THRUST COLLAR                |         |        |      | *     |      | 2   |          |
| 32  |             | SL4041491SC |             | SCREW M4 L=14                |         |        |      | *     |      | 3   |          |
| 33  | D           | 40087165    |             | FRAME_A                      |         |        |      | *     |      | 1   |          |
| 34  |             | 40087167    |             | UNDER_COVER                  |         |        |      | *     |      | 1   |          |
| 35  |             | 40087157    |             | HING SCREW                   |         |        |      | *     |      | 2   |          |
| 36  |             | SL4041681SC |             | SCREW M4 L=16                |         |        |      | *     |      | 1   |          |
| 37  |             | M8002430000 |             | STOPPER                      |         |        |      | *     |      | 1   |          |
| 38  |             | KX000000210 |             | SADDLE TYPE TIE MOUNT        |         |        |      | *     |      | 1   |          |
| 39  |             | SL4030881SC |             | SCREW M3 L=8                 |         |        |      | *     |      | 1   |          |
| 40  |             | 40087168    |             | HOUSING_PLATE_A              |         |        |      | *     |      | 1   |          |
| 41  |             | 40099916    |             | BOX_HANGER                   |         |        |      |       |      | 1   |          |
| 42  |             | SL4051091SC |             | SCREW M5X0.8 L=10            |         |        |      |       |      | 4   |          |
| 43  |             | KF000000080 |             | SLO-BLO FUSE                 |         |        |      |       |      | 1   |          |
| 44  |             | KF000000030 |             | SLO-BLO FUSE                 |         |        |      |       |      | 1   |          |
| 45  |             | 40102693    |             | AC POWER SUPPLY CORD C       |         |        |      |       |      | 1   |          |
| 46  |             | M4501471AA0 |             | CONNECTING ROD A ASM.        |         |        |      |       |      | 1   |          |



SC-922

| No. | Supply Code | Parts No. | Replacement | Parts name                 | Remarks | Choice | Step | Level | Cons | Qty | Rep. QTY |
|-----|-------------|-----------|-------------|----------------------------|---------|--------|------|-------|------|-----|----------|
| 47  |             | 40101892  |             | INSTRUCTION MANUAL 4L(CHN) |         |        |      |       |      | 1   |          |
| 48  |             | 40101504  |             | MACHINE HEAD LIST          |         |        |      |       |      | 1   |          |



M51N

| No. | Supply Code | Parts No. | Replacement | Parts name                | Remarks | Choice | Step | Level | Cons | Qty | Rep. QTY |
|-----|-------------|-----------|-------------|---------------------------|---------|--------|------|-------|------|-----|----------|
| 1   |             | 40102019  |             | M51N MOTOR UNIT A         |         |        |      |       |      | 1   |          |
| 2   |             | 40018509  |             | M50 MOTOR BELT COVER ASSY |         |        |      |       |      | 1   |          |
| 3   |             | 40018572  |             | DROPPING PAD              |         |        |      | *     |      | 1   |          |
| 4   |             | 40018573  |             | SCREW                     |         |        |      | *     |      | 1   |          |
| 5   | R           | 40018514  | 40018509    | PULLEY COVER A            |         |        |      | *     |      | 1   | 1.00     |
| 6   |             | 40018568  |             | SUPPORTING ROD            |         |        |      | *     |      | 1   |          |
| 7   |             | 40018569  |             | WASHER                    |         |        |      | *     |      | 1   |          |
| 8   |             | 40018570  |             | SCREW                     |         |        |      | *     |      | 1   |          |
| 9   |             | 40018571  |             | DROPPING PLATE            |         |        |      | *     |      | 1   |          |
| 10  |             | 40018574  |             | SCREW                     |         |        |      | *     |      | 2   |          |
| 11  |             | 40018579  |             | WASHER                    |         |        |      |       |      | 1   |          |
| 12  |             | 40018580  |             | NUT                       |         |        |      |       |      | 1   |          |
| 13  |             | 40018567  |             | PULLEY COVER B            |         |        |      |       |      | 1   |          |
| 14  |             | 40018575  |             | SCREW                     |         |        |      |       |      | 2   |          |
| 15  |             | 40018576  |             | NUT                       |         |        |      |       |      | 2   |          |
| 16  |             | 40018578  |             | KEY                       |         |        |      |       |      | 1   |          |
| 17  |             | 40018582  |             | MOUNTING BOLT ASM.        |         |        |      |       |      | 1   |          |



## HOW TO MAKE USE OF THIS PARTS LIST

1.As to "#01" and "#02" refer to the "Note" given at the bottom of the respective pages.

2.Codes on the "Qty" column

- Each numeral indicates the number of parts required.
- "0.1" and "2.5" indicate the length (in meters) of the respective parts.

3.Parentheses mean that the corresponding part is a subpart that constructs an assembly part.

4.Dotted lines on the Figures indicate assembly parts.

1. リストページの# 0 1、# 0 2の印は、ページ下の"注記"の説明を参照下さい。
2. 数量欄の数字は、個数を表し、0. 1、2. 5等の数値は、長さ（単位メートル）を表します。
3. 数量欄の（ ）は、組部品を構成している子部品であることを意味します。
4. イラストページの-----枠は、組構成であることを意味します。

# NUMERICAL INDEX OF PARTS

| PART NO     | PAGE | REF NO. | PART NO     | PAGE | REF NO. |
|-------------|------|---------|-------------|------|---------|
| 40006202    | 2    | 24      | KF000000080 | 2    | 43·44   |
| 40006207    | 2    | 25      | KX000000210 | 2    | 38      |
| 40006208    | 2    | 26      | KX000000230 | 2    | 6       |
| 40006212    | 2    | 28      | KX000000280 | 2    | 14      |
| 40018509    | 6    | 2       | M4501471AA0 | 2    | 46      |
| 40018514    | 6    | 5       | M8002430000 | 2    | 37      |
| 40018567    | 6    | 13      | SL4030881SC | 2    | 39      |
| 40018568    | 6    | 6       | SL4031081SC | 2    | 13      |
| 40018569    | 6    | 7       | SL4040881SC | 2    | 8       |
| 40018570    | 6    | 8       | SL4041081SC | 2    | 12      |
| 40018571    | 6    | 9       | SL4041091SC | 2    | 17      |
| 40018572    | 6    | 3       | SL4041491SC | 2    | 32      |
| 40018573    | 6    | 4       | SL4041681SC | 2    | 36      |
| 40018574    | 6    | 10      | SL4051091SC | 2    | 42      |
| 40018575    | 6    | 14      | SM4051001SC | 2    | 3       |
| 40018576    | 6    | 15      | SM8040612TP | 2    | 29      |
| 40018578    | 6    | 16      | SV4030601SR | 2    | 30      |
| 40018579    | 6    | 11      |             |      |         |
| 40018580    | 6    | 12      |             |      |         |
| 40018582    | 6    | 17      |             |      |         |
| 40042130    | 2    | 21      |             |      |         |
| 40042133    | 2    | 23      |             |      |         |
| 40049426    | 2    | 27      |             |      |         |
| 40087153    | 2    | 18      |             |      |         |
| 40087154    | 2    | 16      |             |      |         |
| 40087155    | 2    | 19      |             |      |         |
| 40087156    | 2    | 22      |             |      |         |
| 40087157    | 2    | 35      |             |      |         |
| 40087159    | 2    | 20      |             |      |         |
| 40087165    | 2    | 33      |             |      |         |
| 40087167    | 2    | 34      |             |      |         |
| 40087168    | 2    | 40      |             |      |         |
| 40088315    | 2    | 31      |             |      |         |
| 40088316    | 2    | 2       |             |      |         |
| 40099916    | 2    | 41      |             |      |         |
| 40101476    | 2    | 4       |             |      |         |
| 40101479    | 2    | 7       |             |      |         |
| 40101495    | 2    | 1       |             |      |         |
| 40101504    | 4    | 47·48   |             |      |         |
| 40101892    | 4    | 47·48   |             |      |         |
| 40102019    | 6    | 1       |             |      |         |
| 40102693    | 2    | 45      |             |      |         |
| CM300100003 | 2    | 15      |             |      |         |
| CM300400602 | 2    | 11      |             |      |         |
| KF000000030 | 2    | 43·44   |             |      |         |