

MODEL : IT-10  
List No : 1577-01

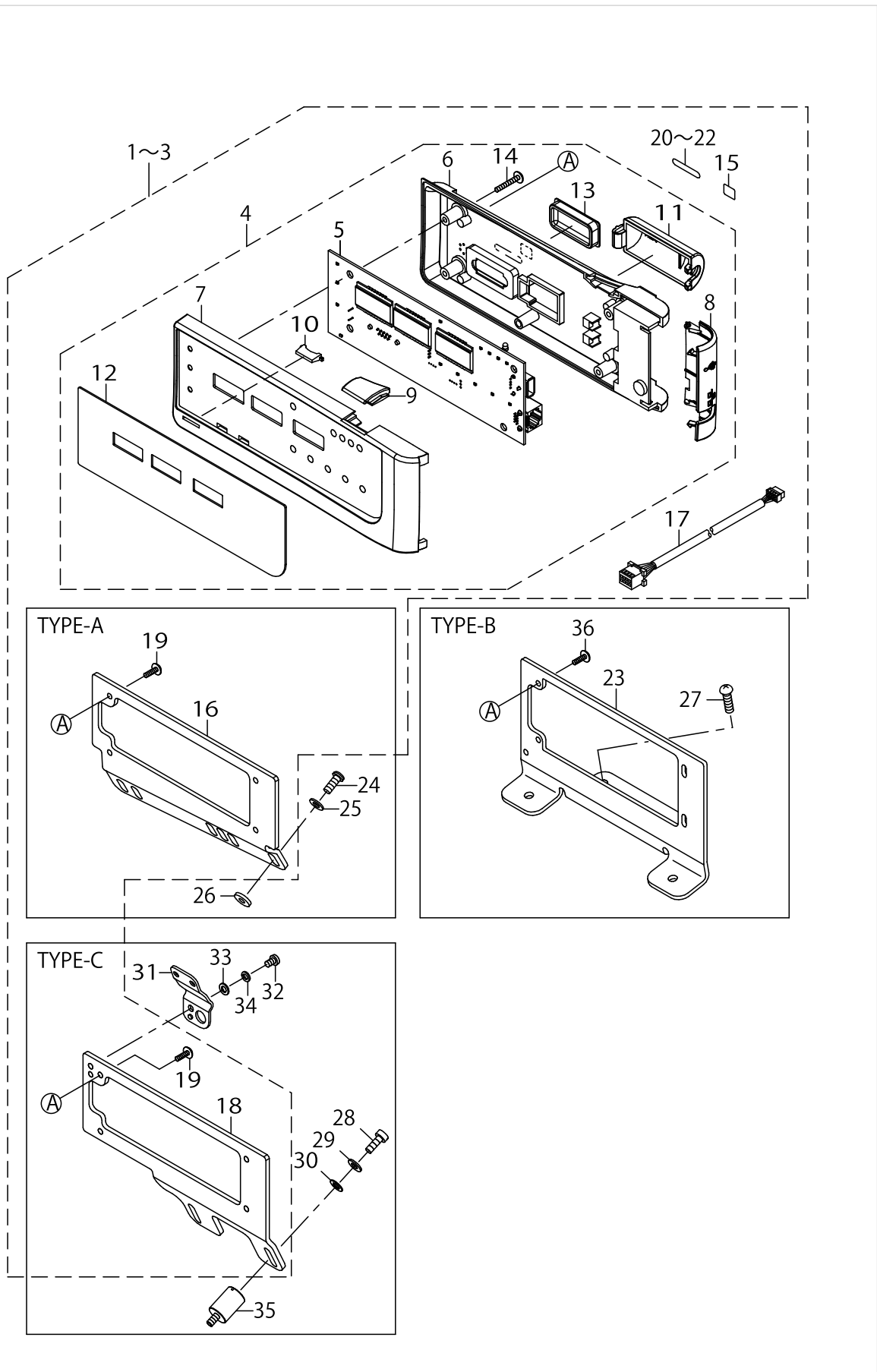
# PARTS LIST

Published:05/12/2017

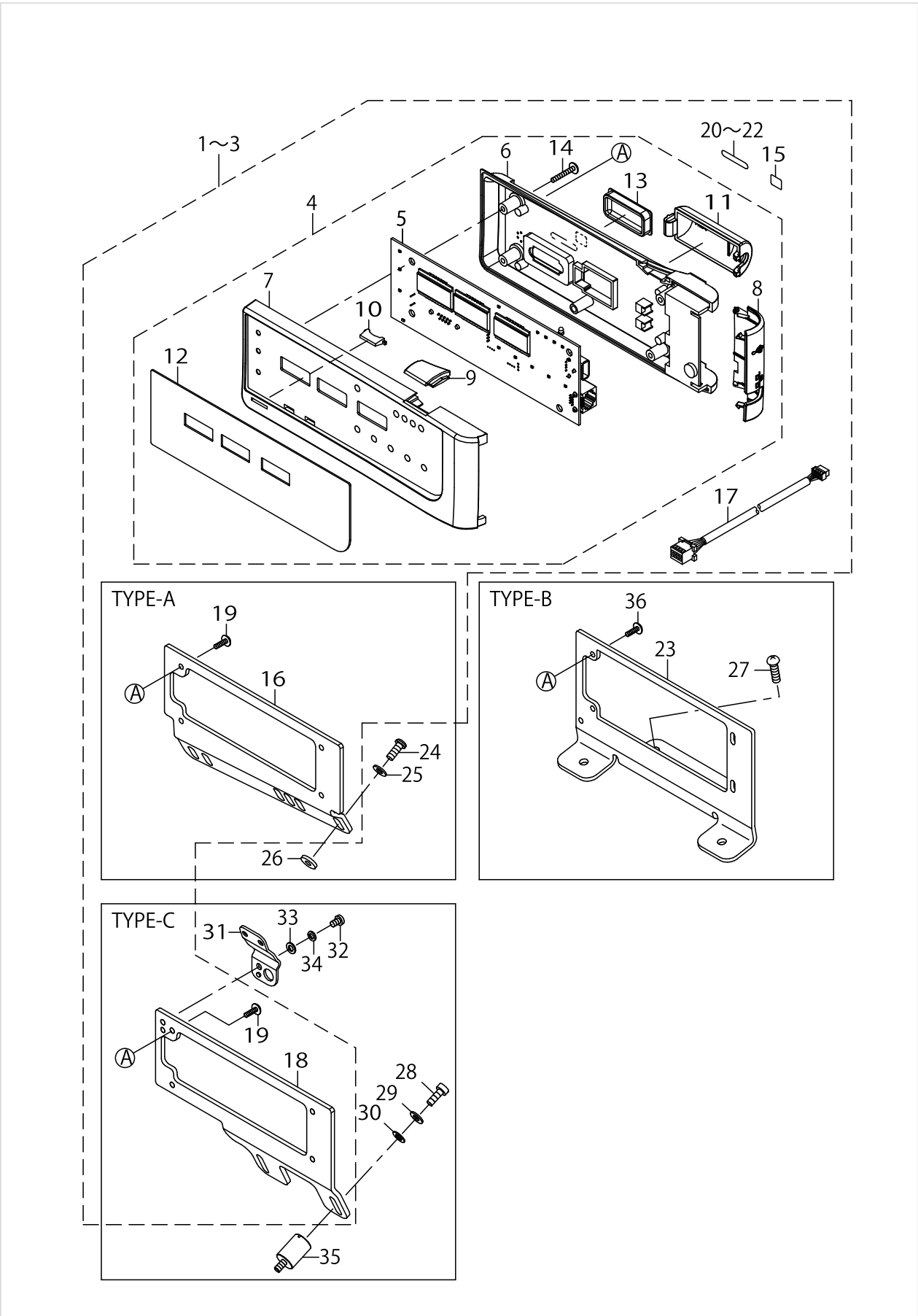
## CONTENTS

---

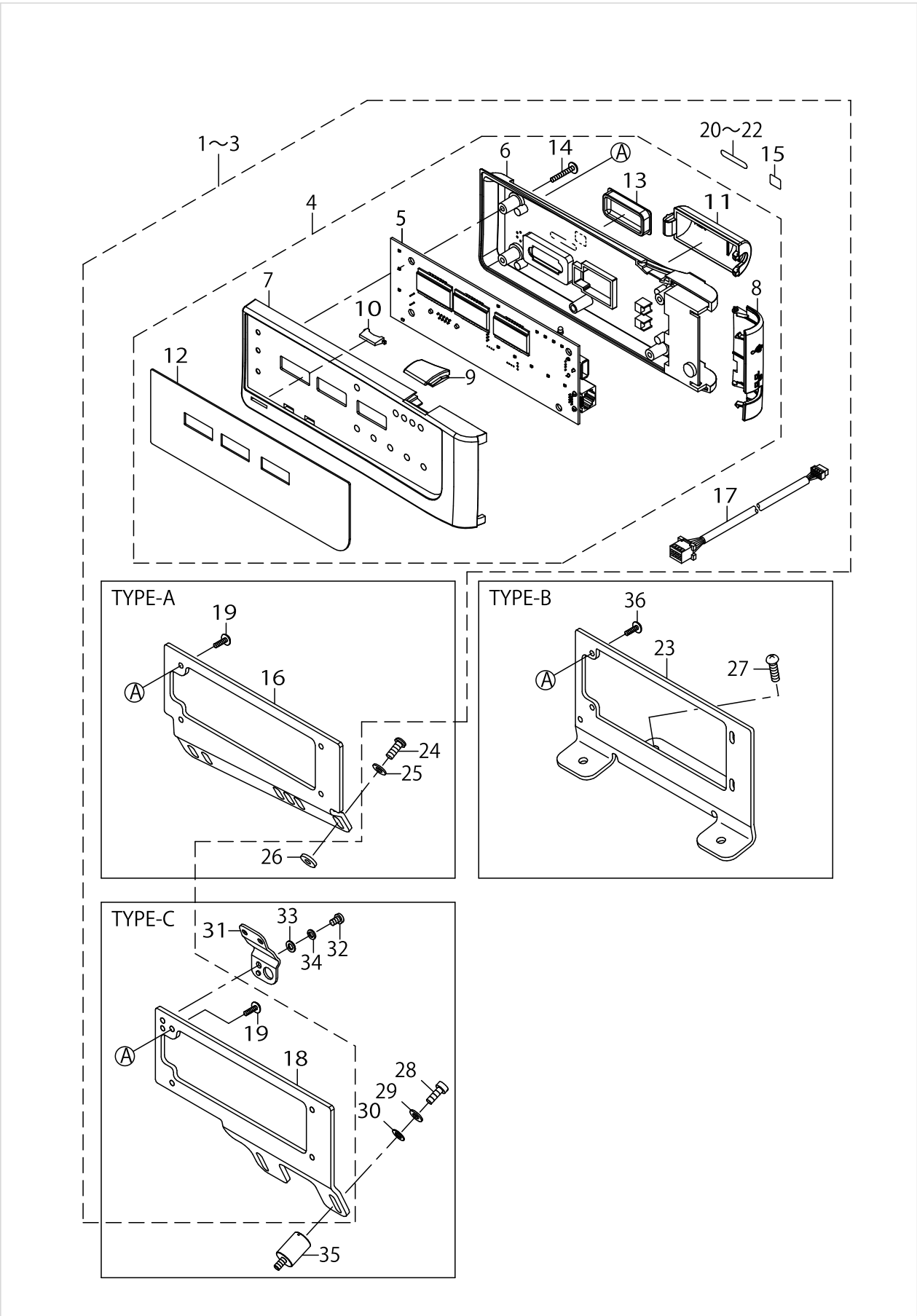
IT-10.....	1
HOW TO MAKE USE OF THIS PARTS LIST .....	7
1577-01_03 .....	15
1577-01_04 .....	16
1577-01_05 .....	



No.	Supply Code	Parts No.	Replacement	Parts name	Remarks	Choice	Step	Level	Cons	Qty	Rep. QTY
1		40101488		SC-922 1PHASE 22-0-240V CE PFL NO-OPT	FOR 1-PH-ASE 220~-240V CEPFL					1	
2		40101489		SC-922 1PHASE 22-0-240V PFL NO-OPT	FOR 1-PH-ASE 220~240V PFL					1	
3		40101490		SC-922 3PHASE 20-0-240V PFL NO-OPT	FOR 3-PH-ASE 200~240V PFL					1	
4		40101491		SC-922 3PHASE 20-0-240V PFL NO-OPT JA	FOR 3-PH-ASE 200~-240V PFL JA					1	
5		40101492		SC-922 1PHASE 10-0-120V PFL NO-OPT JA_LA	FOR 1-PH-ASE 100~-120V PFL JA LA					1	
6		40101476		CTL PCB ASSY				*		1	
7		SL4041081SC		SCREW M4 L=10				*		6	
8		40101485		PWR-CE PCB ASSY	FOR 1-PH-ASE 220~-240V CEPFL			*		1	
9		40101479		PWR-S PCB ASSY	FOR 1-PH-ASE 220~240V PFL			*		1	
10		40101482		PWR-T PCB ASSY	FOR 3-PH-ASE 200~-240V PFL, 3-PHASE 200~240V PFL JA, 1--PHASE 10-0~120V PFL JA LA			*		1	
11		40088311		STUD	FOR 1-PH-ASE 220~-240V CE PFL, 3-PHASE 200~240V PFL, 3--PHASE 2-00~240V PFL JA, 1--PHASE 10-0~120V PFL JA LA			*		5	
12		SL4041081SC		SCREW M4 L=10	FOR 1-PH-ASE 220~-240V CE PFL, 3-PHASE 200~240V PFL, 3--PHASE 2-00~240V PFL JA, 1--PHASE 10-0~120V PFL JA LA			*		5	
13		40087153		DC POWER SUPPLY CORD ASSY				*		1	
14		40087154		RESISTANCE A ASSY				*		1	
15		SL4041091SC		SCREW M4 L=10				*		1	
16		40087155		PEDAL SENSOR A ASSY				*		1	
17		40087159		SENSOR COIL HOLD A ASSY				*		1	
18		40042130		PEDAL SENSORBASE				*		1	
19		40087156		PEDAL LEVER A				*		1	
20		40042133		PEDAL LEVER B				*		1	
21		40006202		ADJUST NUT				*		2	
22		40006207		FRONT SPRING				*		1	
23		40006208		SPRING SHAFT A				*		2	
24		40049426		SPRING C				*		2	
25		40006212		ADJUST SCREW				*		2	
26		SM8040612TP		SCREW M4 L=6				*		2	



No.	Supply Code	Parts No.	Replacement	Parts name	Remarks	Choice	Step	Level	Cons	Qty	Rep. QTY
27		SV4030601SR		SCREW M3 L=6				*		2	
28		40088315		THRUST COLLAR				*		2	
29		SL4040681SC		COMBINATION SCREW M4X8				*		5	
30		40087167		UNDER COVER				*		1	
31		40087157		HINGE SCREW				*		2	
32		SL4041681SC		SCREW M4 L=16				*		1	
33		M8002430000		STOPPER				*		1	
34		KX000000210		SADDLE TYPE TIE MOUNT				*		1	
35	R	SM4051001SC	SM4051001SN	SCREW M5 L=10				*		1	1.00
36		KX000000230		RELEASIBLE CABLE TIE				*		1	
37		40088035		POWER SUPPLY PLATE ASSY CE	FOR 1-PH-ASE 220~-240V CEPFL			*		1	
38		40089563		POWER SUPPLY PLATE ASSY LA	FOR 1-PH-ASE 100~-120V PFL JA LA			*		1	
39		40088316		RUBBER CUSHION				*		2	
40		40087139		FLT-T PCB ASSY	FOR 3-PH-ASE 200~-240V PFL, 3-PHASE 200~240V PFL JA, 1--PHASE 10-0~120V PFL JA LA			*		1	
41		SL4041081SC		SCREW M4 L=10				*		2	
42		CM300100402		VOLTAGE DANGER LABEL(SMALL)	FOR 3-PH-ASE 200~-240V PFL, 3-PHASE 200~240V PFL JA, 1--PHASE 10-0~120V PFL JA LA			*		1	
43		KX000000280		BEAD BAND				*		2	
44		CM600100101		WEEE MARK LABEL S	FOR 1-PH-ASE 220~-240V CEPFL			*		1	
45		CM300100302		VOLTAGE DANGER LABEL(SMALL)	FOR 1-PH-ASE 220~-240V CEPFL			*		1	
46		CM300400602		VOLTAGE CAUTION LABEL L=25				*		1	
47		CM300100003		VOLTAGE WARNING LABEL(25)	FOR 1-PH-ASE 220~240V PFL			*		1	
48		SL4031081SC		SCREW M3 L=10				*		2	
49		SL4040881SC		SCREW M4 L=8				*		3	
50		SL4030881SC		SCREW M3 L=8				*		1	
51		40087168		HOUSING PLATE A	FOR 1-PH-ASE 220~-240V PFL, 3-PHASE 200~240V PFL, 3-PH-ASE 200~-240V PFL JA			*		1	
52		SL4041491SC		SCREW 4 L=14				*		3	
53		SL4030881SC		SCREW M3 L=8	FOR 1-PH-ASE 220~240V PFL			*		1	



No.	Supply Code	Parts No.	Replacement	Parts name	Remarks	Choice	Step	Level	Cons	Qty	Rep. QTY
54	D	40087166		FRAME B	FOR 1-PHASE 220~240V CE PFL, 3-PHASE 200~240V PFL, 3-PHASE 200~240V PFL JA, 10~120V PFL JA LA			*		1	
55	D	40087165		FRAME A	FOR 1-PHASE 220~240V PFL			*		1	
56		SL4041081SC		SCREW M4 L=10				*		10	
57		40162977		FLT-CE PCB ASSY	FOR 1-PHASE 220~240V CEPFL			*		1	
58		40102693		AC POWER SUPPLY CORD C	FOR 1-PHASE 220~240V PFL					1	
59		40089414		AC POWER SUPPLY CORD D	FOR 3-PHASE 200~240V PFL JA					1	
60		40101508		INSTRUCTION MANUAL 4L						1	
61		40105660		SAFETY INSTRUCTION MANUAL	FOR 1-PHASE 220~240V CEPFL					1	
62		40091952		EC DECLARATION (BOX)	FOR 1-PHASE 220~240V CEPFL					1	
63		40101504		MACHINE HEAD LIST						1	
64		40101512		SC-922 PARTS LIST						1	
65		CM600100201		WEEE INFORMATION SHEET	FOR 1-PHASE 220~240V CEPFL					1	
66		40101510		INSTRUCTION MANUAL CD 9L	FOR 1-PHASE 220~240V CEPFL					1	
67		M4501471AA0		CONNECTING ROD A ASM.						1	
68		M6102461DAA		AC INPUT CABLE ASM.(CE)	FOR 1-PHASE 220~240V CEPFL					1	
69		KF000000080		SLO-BLO FUSE						1	
70		KF000000030		SLO-BLO FUSE						1	
71		40099916		BOX HANGER						1	
72		SL4051091SC		SCREW M5X0.8 L=10						4	
73		40162974		CTL_PCB_ASSY_CE	FOR 1-PHASE 220~240V CEPFL			*		1	



## HOW TO MAKE USE OF THIS PARTS LIST

1.As to "#01" and "#02" refer to the "Note" given at the bottom of the respective pages.

2.Codes on the "Qty" column

- Each numeral indicates the number of parts required.
- "0.1" and "2.5" indicate the length (in meters) of the respective parts.

3.Parentheses mean that the corresponding part is a subpart that constructs an assembly part.

4.Dotted lines on the Figures indicate assembly parts.

1. リストページの# 0 1、# 0 2の印は、ページ下の"注記"の説明を参照下さい。
2. 数量欄の数字は、個数を表し、0. 1、2. 5等の数値は、長さ（単位メートル）を表します。
3. 数量欄の（ ）は、組部品を構成している子部品であることを意味します。
4. イラストページの-----枠は、組構成であることを意味します。

HOW TO MAKE USE OF THIS PARTS LIST

No.	Supply Code	Parts No.	Replacement	Parts name	Remarks	Choice	Step	Level	Cons	Qty	Rep. QTY
1		40126245		SC-922 DD 1P 220-- 240V CE PFL NO-OPT	FOR 1-PH- ASE 220~- 240V CEPFL					1	
2		40126246		SC-922 DD 1P 220-- 240V PFL NO-OPT	FOR 1-PH- ASE 220~240V PFL					1	
3		40126247		SC-922 DD 3P 200-- 240V PFL NO-OPT	FOR 3-PH- ASE 200~240V PFL					1	
4		40126248		SC-922 DD 3P 200-- 240V PFL NO-OPT JA	FOR 3-PH- ASE 200~- 240V PFL JA					1	
5		40126249		SC-922 DD 1P 100-- 120V PFL NO-OPT JA_LA	FOR 1-PH- ASE 100~- 120V PFL JA_LA					1	
6		40101476		CTL PCB ASSY				*		1	
7		SL4041081SC		SCREW M4 L=10				*		6	
8		40101485		PWR-CE PCB ASSY	FOR 1-PH- ASE 220~- 240V CEPFL			*		1	
9		40101479		PWR-S PCB ASSY	FOR 1-PH- ASE 220~240V PFL			*		1	
10		40101482		PWR-T PCB ASSY	FOR 3-PH- ASE 200~- 240V PFL, 3-PHASE 200~240V PFL JA, 1-- PHASE 10- 0~120V PFL JA, LA			*		1	
11		40088311		STUD	FOR 1-PH- ASE 220~- 240V CE P- FL, 3-PHA- SE 200~2- 40V PFL, 3- -PHASE 2- 00~240V PFL JA, 1-- PHASE 10- 0~120V PFL JA, LA			*		5	
12		SL4041081SC		SCREW M4 L=10	FOR 1-PH- ASE 220~- 240V CE P- FL, 3-PHA- SE 200~2- 40V PFL, 3- -PHASE 2- 00~240V PFL JA, 1-- PHASE 10- 0~120V PFL JA, LA			*		5	
13		40087153		DC POWER SUPPLY CORD ASSY				*		1	
14		40087154		RESISTANCE A ASSY				*		1	
15		SL4041091SC		SCREW M4 L=10				*		1	
16		40087155		PEDAL SENSOR A ASSY				*		1	
17		40087159		SENSOR COIL HOLD A ASSY				*		1	
18		40042130		PEDAL SENSORBASE				*		1	
19		40087156		PEDAL LEVER A				*		1	
20		40042133		PEDAL LEVER B				*		1	
21		40006202		ADJUST NUT				*		2	
22		40006207		FRONT SPRING				*		1	
23		40006208		SPRING SHAFT A				*		2	
24		40049426		SPRING C				*		2	
25		40006212		ADJUST SCREW				*		2	
26		SM8040612TP		SCREW M4 L=6				*		2	

## HOW TO MAKE USE OF THIS PARTS LIST

1.As to "#01" and "#02" refer to the "Note" given at the bottom of the respective pages.

2.Codes on the "Qty" column

- Each numeral indicates the number of parts required.
- "0.1" and "2.5" indicate the length (in meters) of the respective parts.

3.Parentheses mean that the corresponding part is a subpart that constructs an assembly part.

4.Dotted lines on the Figures indicate assembly parts.

1. リストページの# 0 1、# 0 2の印は、ページ下の"注記"の説明を参照下さい。
2. 数量欄の数字は、個数を表し、0. 1、2. 5等の数値は、長さ（単位メートル）を表します。
3. 数量欄の（ ）は、組部品を構成している子部品であることを意味します。
4. イラストページの-----枠は、組構成であることを意味します。

HOW TO MAKE USE OF THIS PARTS LIST

No.	Supply Code	Parts No.	Replacement	Parts name	Remarks	Choice	Step	Level	Cons	Qty	Rep. QTY
27		SV4030601SR		SCREW M3 L=6				*		2	
28		40088315		THRUST COLLAR				*		2	
29		SL4040681SC		COMBINATION SCREW M4X8				*		5	
30		40087167		UNDER COVER				*		1	
31		40087157		HINGE SCREW				*		2	
32		SL4041681SC		SCREW M4 L=16				*		1	
33		M8002430000		STOPPER				*		1	
34		KX000000210		SADDLE TYPE TIE MOUNT				*		1	
35	R	SM4051001SC	SM4051001SN	SCREW M5 L=10				*		1	1.00
36		KX000000230		RELEASIBLE CABLE TIE				*		1	
37		40088035		POWER SUPPLY PLATE ASSY CE	FOR 1-PH-ASE 220~-240V CEPFL			*		1	
38		40089563		POWER SUPPLY PLATE ASSY LA	FOR 1-PH-ASE 100~-120V PFL JA_LA			*		1	
39		40088316		RUBBER CUSHION				*		2	
40		40087139		FLT-T PCB ASSY	FOR 3-PH-ASE 200~-240V PFL, 3-PHASE 200~240V PFL JA, 1--PHASE 10-0~120V PFL JA_LA			*		1	
41		SL4041081SC		SCREW M4 L=10				*		2	
42		CM300100402		VOLTAGE DANGER LABEL(SMALL)	FOR 3-PH-ASE 200~-240V PFL, 3-PHASE 200~240V PFL JA, 1--PHASE 10-0~120V PFL JA_LA			*		1	
43		KX000000280		BEAD BAND				*		2	
44		CM600100101		WEEE MARK LABEL S	FOR 1-PH-ASE 220~-240V CEPFL			*		1	
45		CM300100302		VOLTAGE DANGER LABEL(SMALL)	FOR 1-PH-ASE 220~-240V CEPFL			*		1	
46		CM300400602		VOLTAGE CAUTION LABEL L=25				*		1	
47		CM300100003		VOLTAGE WARNING LABEL(25)	FOR 1-PH-ASE 220~240V PFL			*		1	
48		SL4031081SC		SCREW M3 L=10				*		2	
49		SL4040881SC		SCREW M4 L=8				*		3	
50		SL4030881SC		SCREW M3 L=8				*		1	
51		40087168		HOUSING PLATE A	FOR 1-PH-ASE 220~-240V PFL, 3-PHASE 200~240V PFL, 3-PH-ASE 200~-240V PFL JA			*		1	
52		SL4041491SC		SCREW 4 L=14				*		3	
53		SL4030881SC		SCREW M3 L=8	FOR 1-PH-ASE 220~240V PFL			*		1	

## HOW TO MAKE USE OF THIS PARTS LIST

1.As to "#01" and "#02" refer to the "Note" given at the bottom of the respective pages.

2.Codes on the "Qty" column

- Each numeral indicates the number of parts required.
- "0.1" and "2.5" indicate the length (in meters) of the respective parts.

3.Parentheses mean that the corresponding part is a subpart that constructs an assembly part.

4.Dotted lines on the Figures indicate assembly parts.

1. リストページの# 0 1、# 0 2の印は、ページ下の"注記"の説明を参照下さい。
2. 数量欄の数字は、個数を表し、0. 1、2. 5等の数値は、長さ（単位メートル）を表します。
3. 数量欄の（ ）は、組部品を構成している子部品であることを意味します。
4. イラストページの-----枠は、組構成であることを意味します。

HOW TO MAKE USE OF THIS PARTS LIST

No.	Supply Code	Parts No.	Replacement	Parts name	Remarks	Choice	Step	Level	Cons	Qty	Rep. QTY
54	D	40087166		FRAME B	FOR 1-PHASE 220~240V CE PFL, 3-PHASE 200~240V PFL, 3-PHASE 200~240V PFL JA, 1-PHASE 100~120V PFL JA, LA			*		1	
55	D	40087165		FRAME A	FOR 1-PHASE 220~240V PFL			*		1	
56		SL4041081SC		SCREW M4 L=10				*		10	
57		40162977		FLT-CE PCB ASSY	FOR 1-PHASE 220~240V CE PFL			*		1	
58		40102693		AC POWER SUPPLY CORD C	FOR 1-PHASE 220~240V PFL					1	
59		40102979		AC POWER SUPPLY CORD F	FOR 3-PHASE 200~240V PFL JA					1	
60		40101508		INSTRUCTION MANUAL 4L						1	
61		40105660		SAFETY INSTRUCTION MANUAL	FOR 1-PHASE 220~240V CE PFL					1	
62		40117054		EC DECLARATION (BOX)	FOR 1-PHASE 220~240V CE PFL					1	
63		40101504		MACHINE HEAD LIST						1	
64		40101512		SC-922 PARTS LIST						1	
65		CM600100201		WEEE INFORMATION SHEET	FOR 1-PHASE 220~240V CE PFL					1	
66		40101510		INSTRUCTION MANUAL CD 9L	FOR 1-PHASE 220~240V CE PFL					1	
67		40088314		CONNECING ROD ASSY						1	
68		M6102461DAA		AC INPUT CABLE ASM.(CE)	FOR 1-PHASE 220~240V CE PFL					1	
69		KF000000080		SLO-BLO FUSE						1	
70		KF000000030		SLO-BLO FUSE						1	
71	R	M4401471AA0	SK3512001SE	BOX ACCESSORIE PART A ASM.		A				1	2.00
71	R	M4401471AA0	WS0820002KR	BOX ACCESSORIE PART A ASM.		A				1	3.00
71	R	M4401471AA0	NM6080002SC	BOX ACCESSORIE PART A ASM.		A				1	3.00
71	R	M4401471AA0	MAO11532000	BOX ACCESSORIE PART A ASM.		A				1	5.00
71	R	M4401471AA0	MTSHJ100003	BOX ACCESSORIE PART A ASM.		A				1	3.00
71	R	M4401471AA0	WP0851846SC	BOX ACCESSORIE PART A ASM.		A				1	3.00
72		MTSHJ100003		BOLT				*		3	
73		NM6080002SC		NUT M8				*		3	
74		WP0851846SC		WASHER 8.5X22.0X1.8				*		3	
75		WS0820002KR		SPRING WASHER M8				*		3	
76		SK3512001SE		WOOD SCREW D=5.1 L=20				*		2	
77		MAO11532000		CORD STAPLE				*		5	
78		40074444		CONTROL BOX BRACKET						3	
79		40084716		RUBBER MOUNTING						3	
80		WP0621036SP		WASHER						3	

## HOW TO MAKE USE OF THIS PARTS LIST

1.As to "#01" and "#02" refer to the "Note" given at the bottom of the respective pages.

2.Codes on the "Qty" column

- Each numeral indicates the number of parts required.
- "0.1" and "2.5" indicate the length (in meters) of the respective parts.

3.Parentheses mean that the corresponding part is a subpart that constructs an assembly part.

4.Dotted lines on the Figures indicate assembly parts.

1. リストページの# 0 1、# 0 2の印は、ページ下の"注記"の説明を参照下さい。
2. 数量欄の数字は、個数を表し、0. 1、2. 5等の数値は、長さ（単位メートル）を表します。
3. 数量欄の（ ）は、組部品を構成している子部品であることを意味します。
4. イラストページの-----枠は、組構成であることを意味します。

HOW TO MAKE USE OF THIS PARTS LIST

No.	Supply Code	Parts No.	Replacement	Parts name	Remarks	Choice	Step	Level	Cons	Qty	Rep. QTY
81		40162974		CTL_PCB_ASSY_CE	FOR 1-PH-ASE 220~ 240VCEPFL			*		1	



No.	Supply Code	Parts No.	Replacement	Parts name	Remarks	Choice	Step	Level	Cons	Qty	Rep. QTY
1		40102020		M51N MOTOR UNIT B	EXCEPT CE					1	
2		40102021		M51N MOTOR UNIT C	FOR CE					1	
3		40018509		M50 MOTOR BELT COVER ASSY						1	
4		40018574		SCREW				*		2	
5	R	40018514	40018509	PULLEY COVER A				*		1	1.00
6		40018568		SUPPORTING ROD				*		1	
7		40018569		WASHER				*		1	
8		40018570		SCREW				*		1	
9		40018571		DROPPING PLATE				*		1	
10		40018572		DROPPING PAD				*		1	
11		40018573		SCREW				*		1	
12		40018578		KEY						1	
13		40018567		PULLEY COVER B						1	
14		40018575		SCREW						2	
15		40018576		NUT						2	
16		40018580		NUT						1	
17		40018579		WASHER						1	
18		40018582		MOUNTING BOLT ASM.						1	
19		CM600100101		WEEE MARK LABEL S	FOR CE					1	
20		CM600100201		WEEE INFORMATION SHEET	FOR CE					1	

No.	Supply Code	Parts No.	Replacement	Parts name	Remarks	Choice	Step	Level	Cons	Qty	Rep. QTY
1		40161412		REACTOR_BOX_ASSY_1P						1	
2		40161413		REACTOR_BOX_COVER_A_ASSY				*		1	
3		40161414		REACTOR BOX BASE				*		1	
4		SL4040881SC		SCREW M4 L=8				*		4	
5		40161421		REACTOR PCB ASSY 1P				*		1	
6		SL4040881SC		SCREW M4 L=8				*		6	
7		HX00150000B		CABLE CLAMP				*		2	
8		SL4040881SC		SCREW M4 L=8				*		2	
9		SL4040881SC		SCREW M4 L=8				*		2	
10		M1013110000		CORD BUSH A				*		2	
11		CM300100003		VOLTAGE WARNING LABEL (25)				*		1	
12		CM300400602		VOLTAGE CAUTION LABEL L=25				*		1	

# NUMERICAL INDEX OF PARTS

PART NO	PAGE	REF NO.	PART NO	PAGE	REF NO.	PART NO	PAGE	REF NO.
40006202	2	20~22	40087159	8	17	40102021	15	2
40006202	8	21	40087165	6	55	40102693	6	58
40006207	2	20~22	40087165	12	55	40102693	12	58
40006207	8	22	40087166	6	54	40102979	12	59
40006208	2	23	40087166	12	54	40105660	6	61
40006208	8	23	40087167	4	30	40105660	12	61
40006212	2	25	40087167	10	30	40117054	12	62
40006212	8	25	40087168	4	51	40126245	8	1
40018509	15	3	40087168	10	51	40126246	8	2
40018514	15	5	40088035	4	37	40126247	8	3
40018567	15	13	40088035	10	37	40126248	8	4
40018568	15	6	40088311	2	11	40126249	8	5
40018569	15	7	40088311	8	11	40161412	16	1
40018570	15	8	40088314	12	67	40161413	16	2
40018571	15	9	40088315	4	28	40161414	16	3
40018572	15	10	40088315	10	28	40161421	16	5
40018573	15	11	40088316	4	39	40162974	6	73
40018574	15	4	40088316	10	39	40162974	14	81
40018575	15	14	40089414	6	59	40162977	6	57
40018576	15	15	40089563	4	38	40162977	12	57
40018578	15	12	40089563	10	38	CM300100003	4	47
40018579	15	17	40091952	6	62	CM300100003	10	47
40018580	15	16	40099916	6	71	CM300100003	16	11
40018582	15	18	40101476	2	6	CM300100302	4	45
40042130	2	18	40101476	8	6	CM300100302	10	45
40042130	8	18	40101479	2	9	CM300100402	4	42
40042133	2	20~22	40101479	8	9	CM300100402	10	42
40042133	8	20	40101482	2	10	CM300400602	4	46
40049426	2	24	40101482	8	10	CM300400602	10	46
40049426	8	24	40101485	2	8	CM300400602	16	12
40074444	12	78	40101485	8	8	CM600100101	4	44
40084716	12	79	40101488	2	1~3	CM600100101	10	44
40087139	4	40	40101489	2	1~3	CM600100101	15	19
40087139	10	40	40101490	2	1~3	CM600100201	6	65
40087153	2	13	40101491	2	4	CM600100201	12	65
40087153	8	13	40101492	2	5	CM600100201	15	20
40087154	2	14	40101504	6	63	HX00150000B	16	7
40087154	8	14	40101504	12	63	KF000000030	6	70
40087155	2	16	40101508	6	60	KF000000030	12	70
40087155	8	16	40101508	12	60	KF000000080	6	69
40087156	2	19	40101510	6	66	KF000000080	12	69
40087156	8	19	40101510	12	66	KX000000210	4	34
40087157	4	31	40101512	6	64	KX000000210	10	34
40087157	10	31	40101512	12	64	KX000000230	4	36
40087159	2	17	40102020	15	1	KX000000230	10	36

## NUMERICAL INDEX OF PARTS

PART NO	PAGE	REF NO.
KX000000280	4	43
KX000000280	10	43
M1013110000	16	10
M4401471AA0	12	71
M4501471AA0	6	67
M6102461DAA	6	68
M6102461DAA	12	68
M8002430000	4	33
M8002430000	10	33
MAO11532000	12	77
MTSHJ100003	12	72
NM6080002SC	12	73
SK3512001SE	12	76
SL4030881SC	4	53
SL4030881SC	10	53
SL4031081SC	4	48
SL4031081SC	10	48
SL4040681SC	4	29
SL4040681SC	10	29
SL4040881SC	4	49
SL4040881SC	10	49
SL4040881SC	16	9
SL4041081SC	2	56
SL4041081SC	4	56
SL4041081SC	6	56
SL4041081SC	8	56
SL4041081SC	10	56
SL4041081SC	12	56
SL4041091SC	2	15
SL4041091SC	8	15
SL4041491SC	4	52
SL4041491SC	10	52
SL4041681SC	4	32
SL4041681SC	10	32
SL4051091SC	6	72
SM4051001SC	4	35
SM4051001SC	10	35
SM8040612TP	2	26
SM8040612TP	8	26
SV4030601SR	4	27
SV4030601SR	10	27
WP0621036SP	12	80
WP0851846SC	12	74
WS0820002KR	12	75