

MODEL : MF-7900-E11

List No : 1636-01

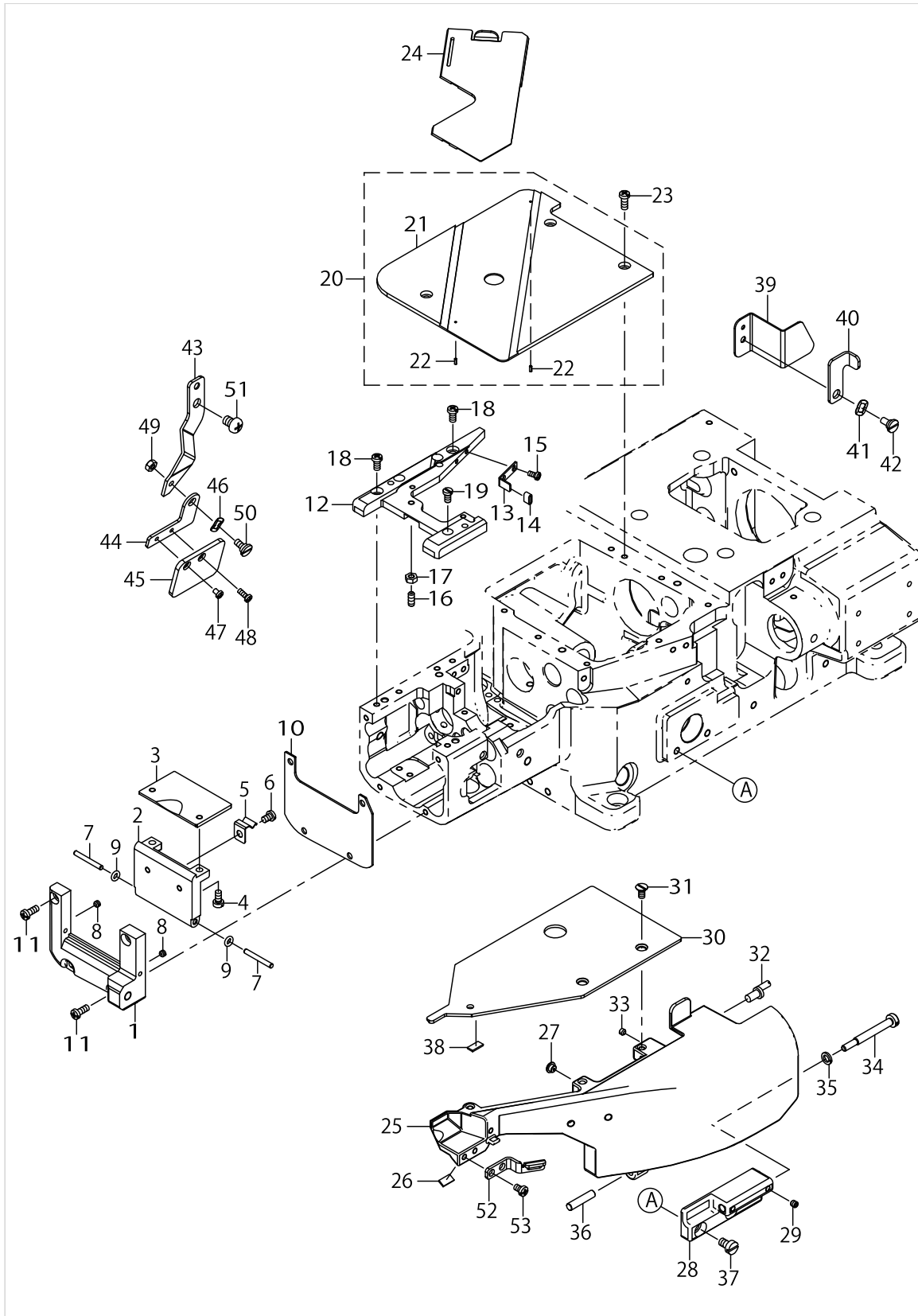
PARTS LIST

Published:05/12/2017

CONTENTS

MISCELLANEOUS COVER COMPONENTS.....	1
FABRIC TRIMMER RIGHT COMPONENTS.....	5
TAPE GUIDE COMPONENTS.....	9
GAUGE PARTS COMPONENTS.....	13
TENSION ROLLER COMPONENTS.....	17
HOW TO MAKE USE OF THIS PARTS LIST.....	21

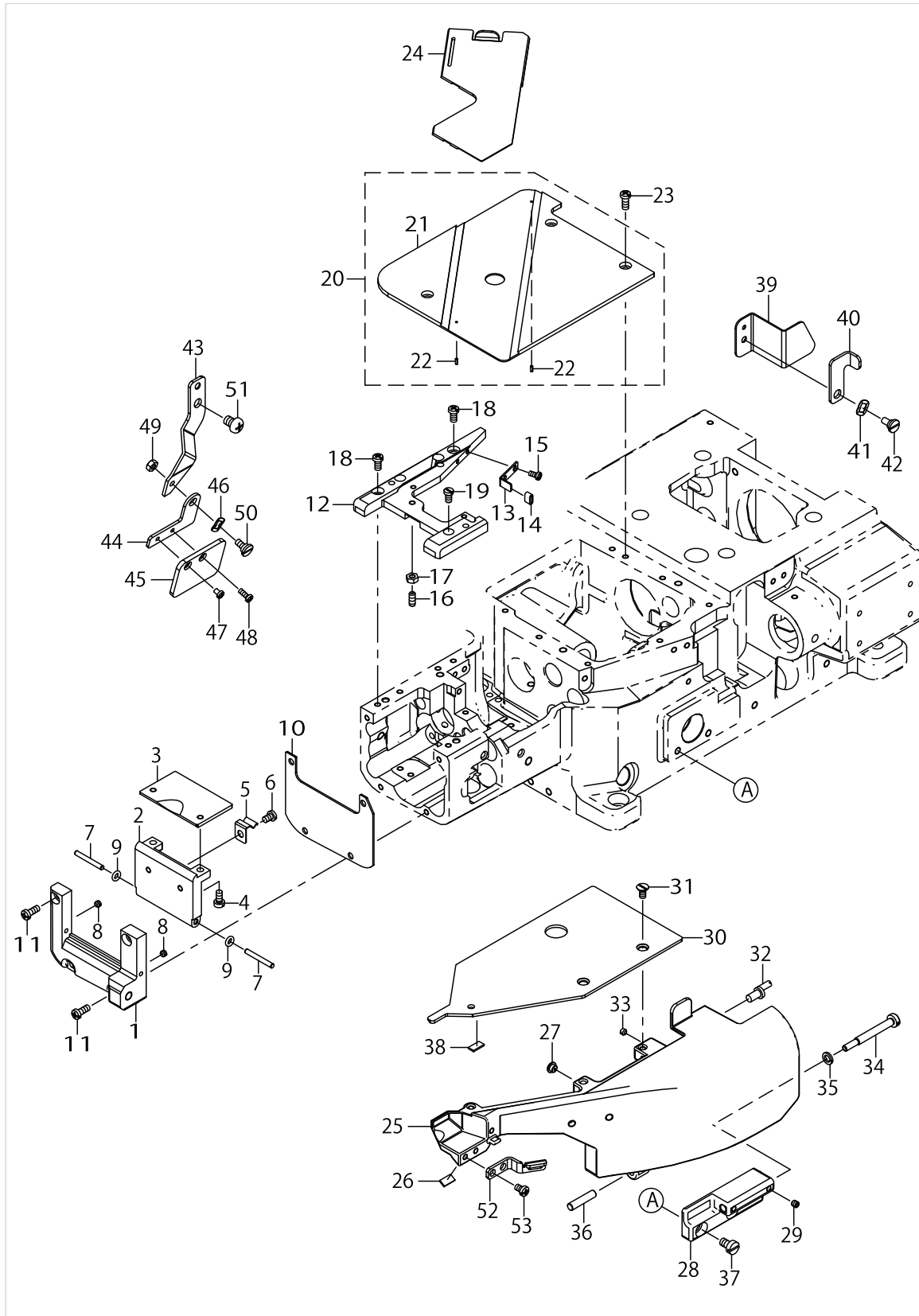
MISCELLANEOUS COVER COMPONENTS



MISCELLANEOUS COVER COMPONENTS

No.	Supply Code	Parts No.	Replacement	Parts name	Remarks	Choice	Step	Level	Cons	Qty	Rep. QTY
1		70003353		CYLINDER_COVER						1	
2		70001655		SIDE_COVER_BOTTOM						1	
3		70001653		SIDE_COVER_UPPER						1	
4		SM6040800SP		SCREW						2	
5		13401906		LATCH SPRING 2						1	
6		SM4040655SP		SCREW M4 L=6						1	
7		PH0300252C0		PIN						2	
8		SM8040360TP		SCREW						2	
9		RO037180100		RUBBER RING						2	
10		70001661		GASKET						1	
11		SM4041055SP		SCREW						4	
12		70003352		THROAT_PLATE_SUPPORT_E11						1	
13		13403407		SLIDE_COVER_SUPPORT						1	
14		23630007		TUBE						.01	
15		SM4030655SP		SCREW						2	
16		SM8041012TP		SCREW M4 L=10						1	
17		NM6040001SC		NUT M4X0.7 TYPE1						1	
18		SM4040855SP		SCREW						2	
19		SM6040750TP		SCREW M4 L=7						1	
20		70003355		CLOTH_PLATE_ASSY						1	
21		70003357		CLOTH_PLATE_REAR				*		1	
22		PS0150042K0		SPRING PIN 1.5X 4				*		2	
23		SM4041055SP		SCREW						3	
24		40016782		SLIDE_COVER						1	
25		70003358		SWING_DOWN_COVER_E11						1	
26		13403605		RUBBER_PLATE						1	
27		13302302		RUBBER BUMPER						1	
28		70001648		HINGE						1	
29		SM8040412TP		SET SCREW M4 L=4						2	
30		70003360		CLOTH_PLATE_FRONT_E11						1	
31		SM1040800SP		SCREW						2	
32		13402706		PIN FOR COVER						1	
33		SM8040360TP		SCREW						1	
34		70001414		SCREW						1	
35		WS0510002KP		SPRING WASHER 5.1X9.2X1.3						1	
36		13409800		DIFF_LINK_PIN						1	
37		SM6050800SP		SCREW M5 L=8						2	
38		13403605		RUBBER_PLATE						1	
39		70001677		THREAD_COVER						1	
40		70004056		SWING_DOWN_COVER_STOPPER						1	
41		WZ0641510KP		WAVED WASHER 6.4X11X0.3						1	
42		SD0640246SP		HINGE SCREW D=6.35 H=2.4						1	
43		70003351		BRACKET HOLDER						1	
44		40033341		BRACKET						1	
45		40026641		PROTECTION_SHIELD						1	
46		WZ0641510KP		WAVED WASHER 6.4X11X0.3						1	

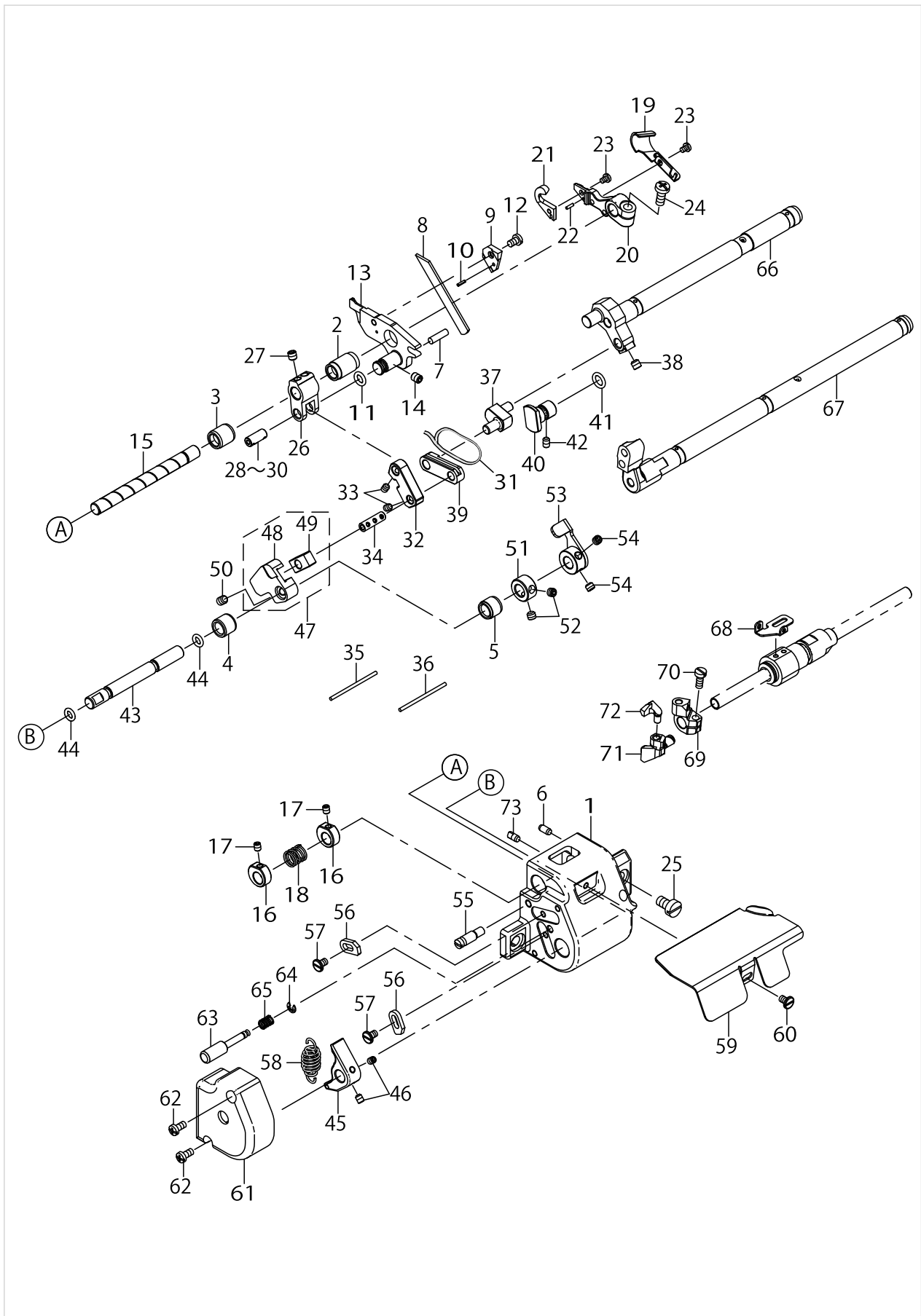
MISCELLANEOUS COVER COMPONENTS



MISCELLANEOUS COVER COMPONENTS

No.	Supply Code	Parts No.	Replacement	Parts name	Remarks	Choice	Step	Level	Cons	Qty	Rep. QTY
47		SM4030455SN		SCREW						1	
48		SM4030855SN		SCREW M3 L=8.0						1	
49		NM6040000SN		NUT M4						1	
50		SD0640246SP		HINGE SCREW D=6.35 H=2.4						1	
51		SM4060801SE		SCREW						1	
52		70003399		CLOTH_DUST_PIPE_STOPPER						1	
53		SM4040655SP		SCREW M4 L=6						2	

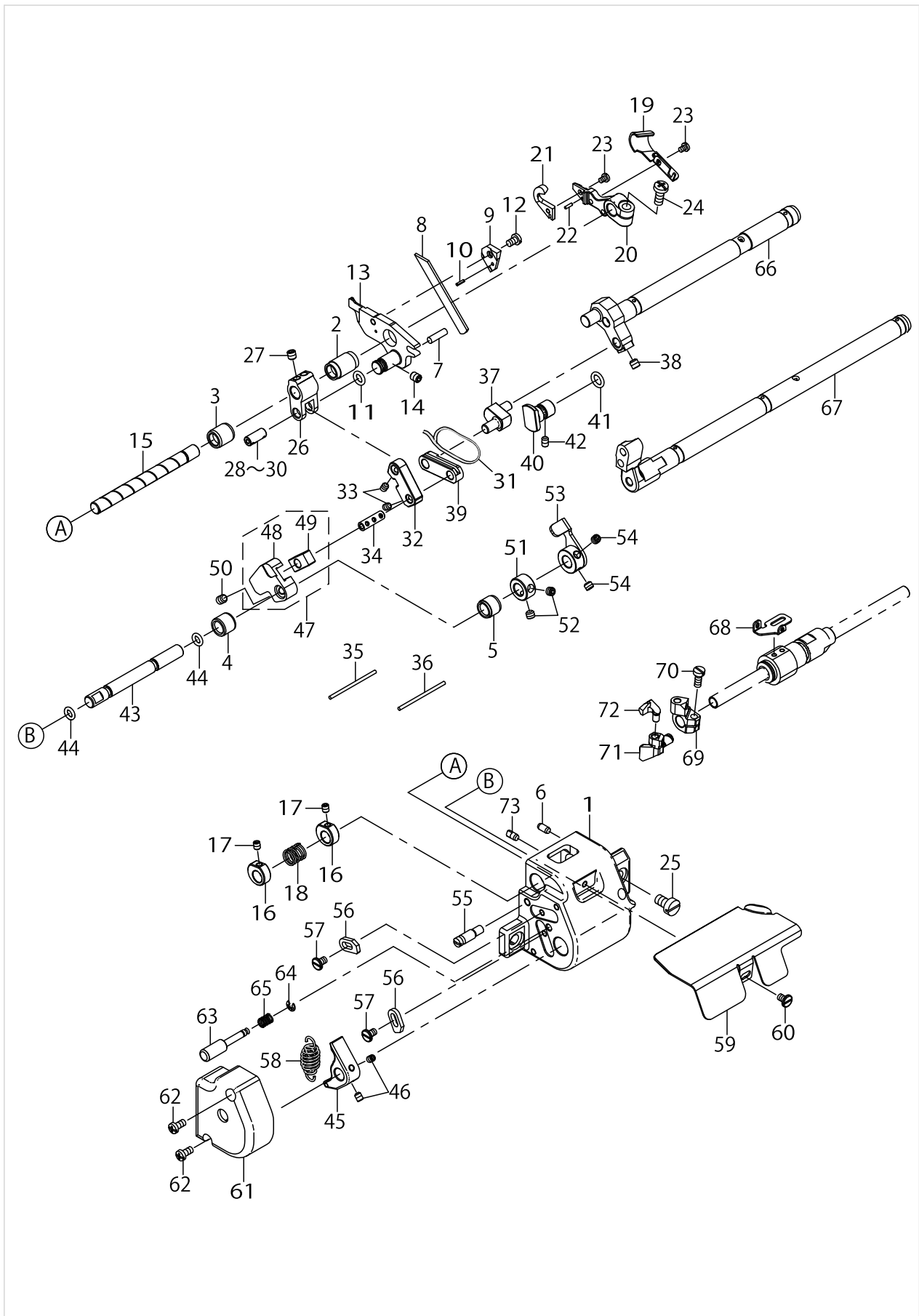
FABRIC TRIMMER RIGHT COMPONENTS



FABRIC TRIMMER RIGHT COMPONENTS

No.	Supply Code	Parts No.	Replacement	Parts name	Remarks	Choice	Step	Level	Cons	Qty	Rep. QTY
1		70003364		TRIMMER_BASE						1	
2		70001854		BUSHING_LEFT						1	
3		70003366		BUSHING_TRIMMER_SHAFT						1	
4		70003367		BUSHING_TRIMMER_SHAFT_LEFT						1	
5		70003368		BUSHING_SLIDER_SHAFT_RIGHT						1	
6		13302500		DOWEL PIN 2						2	
7		11846805		HOLDER PIN						1	
8		40038091		LOWER_KNIFE						1	
9		40038511		LOWER_KNIFE_PRESSER_PLATE						1	
10		PS0150065KP		SPRING PIN 1.5X6						1	
11		RO055200100		RUBBER RING						1	
12		SM4040655SP		SCREW M4 L=6						1	
13		70003369		FIXED_KNIFE_BASE						1	
14		SM8050612TP		SCREW M5X6						1	
15		70003370		FABRIC_TRIMMER_SHAFT						1	
16		70003371		THRUST_COLLAR						2	
17		SM8040512TP		SCREW						2	
18		40010553		KNIFE_SPRING						1	
19		70004253		CHIP_GUARD						1	
20		40040137		MOVING_KNIFE_BASE						1	
21		70003483		MOVING_KNIFE						1	
22		PH0150065C0		PIN						1	
23		SM4030455SP		SCREW						3	
24		SM4051255SP		SCREW.,M5 L=12.						1	
25		SM6061010TP		SCREW M6 L=10						2	
26		70003372		TRIMMER_SHAFT_ARM						1	
27		SM8050512TP		SCREW						2	
28		13412002		MAIN FEED LINK PIN A	SELECTIVE PARTS					1	
29		13412101		MAIN FEED LINK PIN B	SELECTIVE PARTS					1	
30		13412200		MAIN FEED LINK PIN C	SELECTIVE PARTS					1	
31		CQ202000000		COTTON OIL WICK D=2						.19	
32		70003373		LINK						1	
33		SM8040512TP		SCREW						2	
34		13131602		UPPER LOOPER HOLDER PIN E						1	
35		CQ202000000		COTTON OIL WICK D=2						.04	
36		CQ200000000		OIL WICK						.04	
37		70003374		ADJUST_PIN						1	
38		SM8050512TP		SCREW						1	
39		70003375		LINK_SHORT						1	
40		70003376		LINK_GUIDE						1	
41		RO068190100		RUBBER RING						1	
42		SM8040612TP		SCREW M4 L=6						1	
43		70003377		SLIDER_SHAFT						1	
44		RO048190100		RUBBER RING						2	
45		70003378		SPRING_LEVER						1	
46		SM8040512TP		SCREW						2	

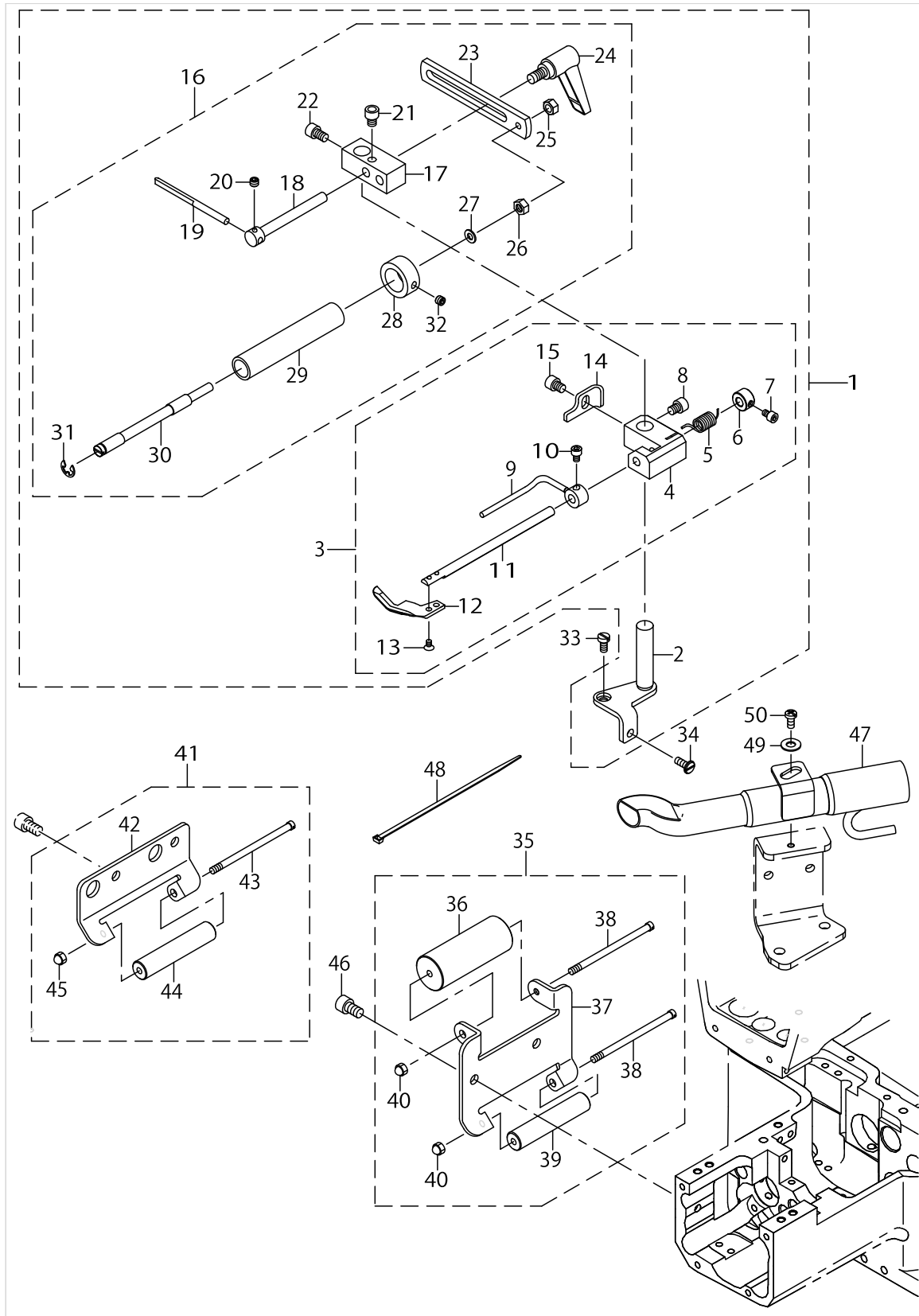
FABRIC TRIMMER RIGHT COMPONENTS



FABRIC TRIMMER RIGHT COMPONENTS

No.	Supply Code	Parts No.	Replacement	Parts name	Remarks	Choice	Step	Level	Cons	Qty	Rep. QTY
47		70003394		SLIDER_GUIDE_ASSY						1	
48		70003379		SLIDER_GUIDE				*		1	
49		70003389		SLIDER_BLOCK				*		1	
50		SM8050612TP		SCREW M5X6						1	
51		CS0800881TP		THRUST COLLAR						1	
52		SM8050412TP		SCREW M5 L=4						2	
53		70003380		HAND_LEVER						1	
54		SM8050412TP		SCREW M5 L=4						2	
55	R	40040963	40120628	TENSION_SPRING_RACK_B						1	1.00
56		70003383		STOPPER						2	
57		SM6040650TP		SCREW						2	
58		14420004		SPURING						1	
59		70003384		GUIDE_CIRCLE						1	
60		SM6040650TP		SCREW						1	
61		70003385		SIDE_COVER						1	
62		SM4040855SP		SCREW						2	
63		70003390		PIN						1	
64		RE0300000K0		E-RING 3						1	
65		13123302		ADJUSTING SPRING						1	
66		40038099		FEED_LIFT_SHAFT						1	
67		70003346		DIFF_FEED_SHAFT_E11						1	
68	R	70003363	70004367	THREAD_GUIDE		A				1	1.00
68	R	70003363	70004730	THREAD_GUIDE		A				1	1.00
69		70003427		LOOPER_HOLDER						1	
70		SM6041000SP		SCREW M4 L=10						1	
71		70003425		HOLDER_FRONT_NEEDLE_GUARD						1	
72		70003426		FRONT_NEEDLE_GUARD						1	
73		13301908		DOWEL PIN						1	

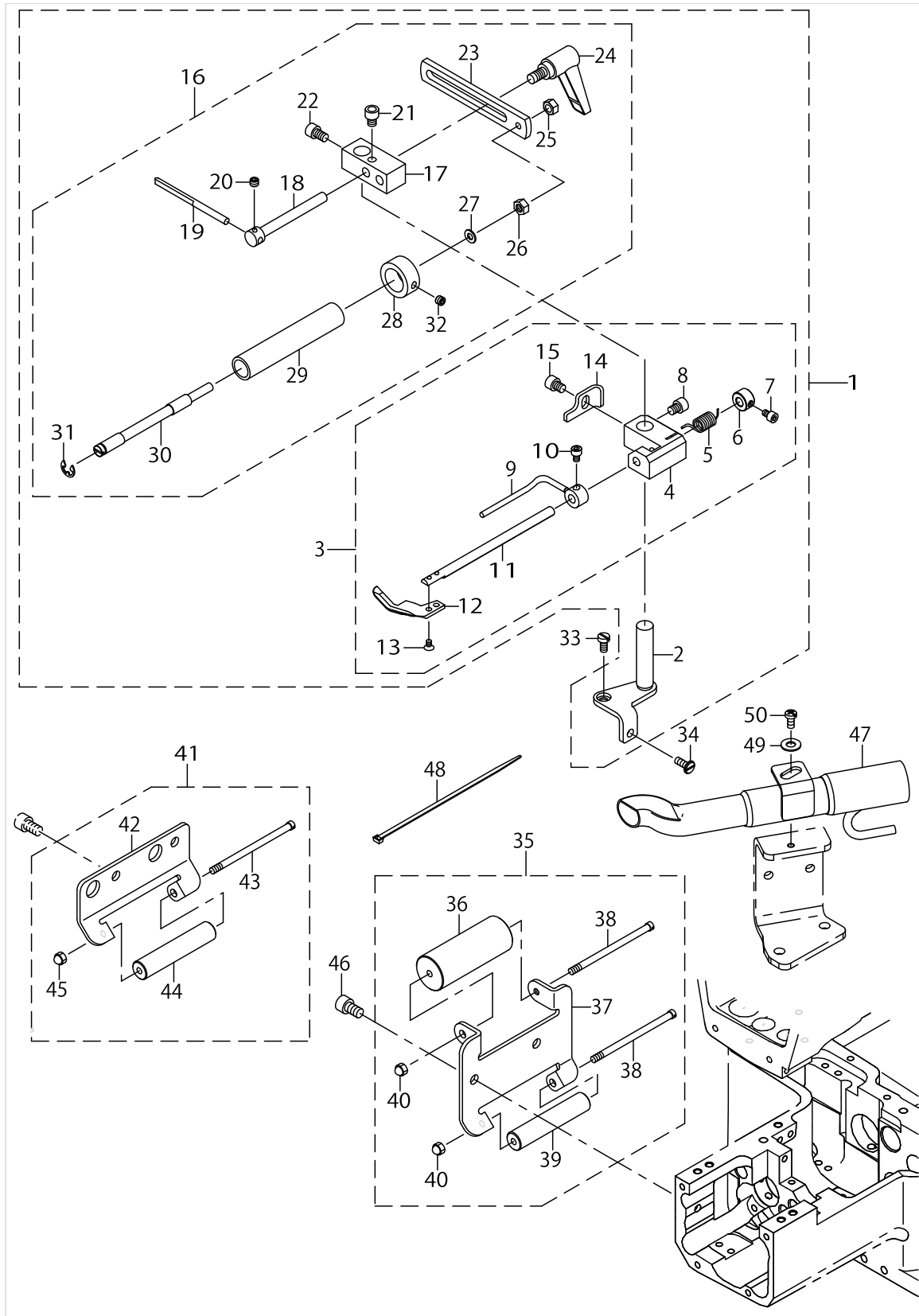
TAPE GUIDE COMPONENTS



TAPE GUIDE COMPONENTS

No.	Supply Code	Parts No.	Replacement	Parts name	Remarks	Choice	Step	Level	Cons	Qty	Rep. QTY
1		40024947		ELASTIC_ATTACHING_DEVICE_ASSY						1	
2		40020050		STUD_ASSEMBLY				*		1	
3		40020053		HOLD_DOWN_PLATE_ASSY				*		1	
4		40020055		BRACKET				*		1	
5		40020060		SPRING				*		1	
6		CS0550781CB		THRUST COLLAR D=5.5 W=7				*		1	
7		SM6040502TP		SCREW M4X0.7 L=5				*		1	
8		SM6050652TP		HEXAGON SOCKET HEAD SCREW M5X6				*		1	
9		40020057		LEVER_ASSEMBLY				*		1	
10		SM6040502TP		SCREW M4X0.7 L=5				*		1	
11		40020062		SHAFT				*		1	
12		40020054		HOLD_DOWN_PLATE				*		1	
13		SM1030501SN		SCREW M3 L=5				*		2	
14		40020056		STOPPER				*		1	
15		SM6050652TP		HEXAGON SOCKET HEAD SCREW M5X6				*		1	
16		40020063		ELASTIC_ATTACHING_DEVICE				*		1	
17		40020064		SUPPORT				*		1	
18		40020066		HOLDER				*		1	
19		40020067		ELASTIC_GUIDE				*		1	
20		SM8040302TP		SETSCREW				*		1	
21		SM6050652TP		HEXAGON SOCKET HEAD SCREW M5X6				*		1	
22		SM6050802TP		SCREW M5X0.8 L=8				*		1	
23		40020065		BRACKET				*		1	
24		40020071		CLAMP_LEVER M6 L=12				*		1	
25		NM6050002SE		NUT M5				*		1	
26		NM6050002SE		NUT M5				*		1	
27		WP0550836SC		WASHER 5.5X12X0.8				*		1	
28		40020070		COLLAR				*		1	
29		40020069		ROLLER				*		1	
30		40020068		SHAFT				*		1	
31		RE0500000K0		E-RING				*		1	
32		SM8040412TP		SET SCREW M4 L=4				*		1	
33		SM6040800SP		SCREW						1	
34		SM6040650TP		SCREW						1	
35	D	40026582		REAR_ROLLER_ASSY_2	WITHOUT PULLER MODELS (ACCESSORIES PARTS)					1	
36	D	40021836		REAR_ROLLER_LARGE				*		1	
37		40021835		BRACKET_REAR_ROLLER_2				*		1	
38		40021838		SHAFT_REAR_ROLLER				*		2	
39		40021837		REAR_ROLLER_SMALL				*		1	
40		NM7040032SC		HEXAGONAL CAP NUT, TYPE 3 M4				*		2	
41		40026581		REAR_ROLLER_ASSY_1	WITH PULLER MODELS (ACCESSORIES PARTS)					1	

TAPE GUIDE COMPONENTS

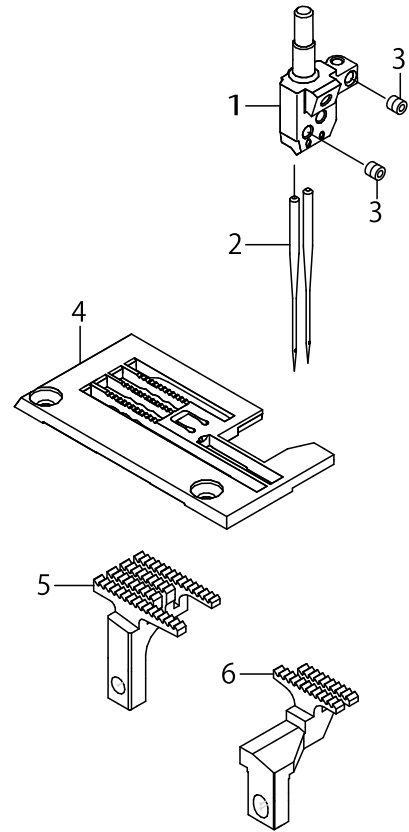
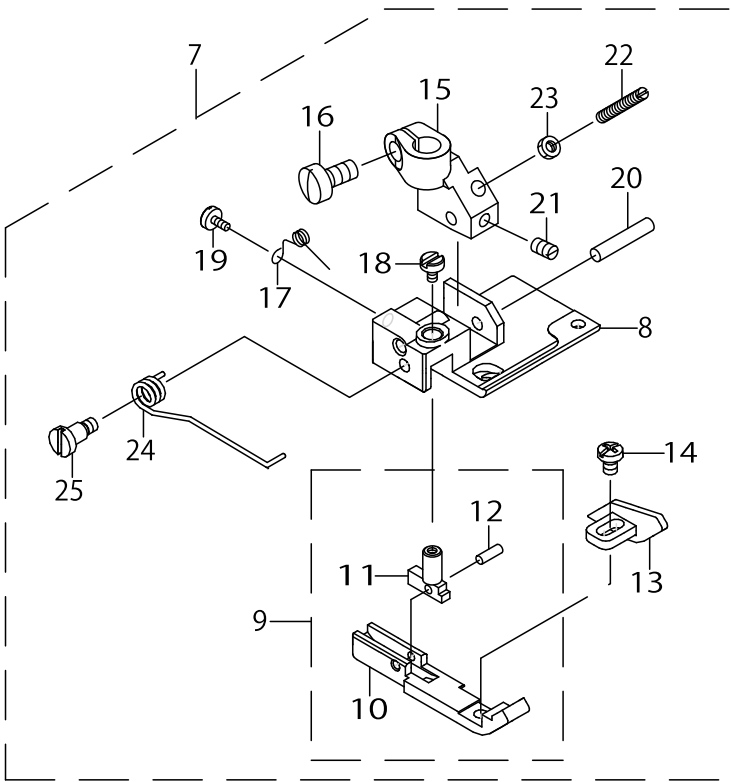


TAPE GUIDE COMPONENTS

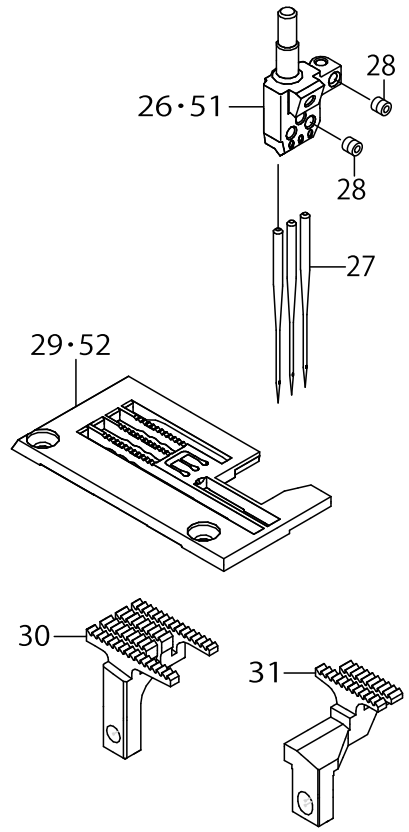
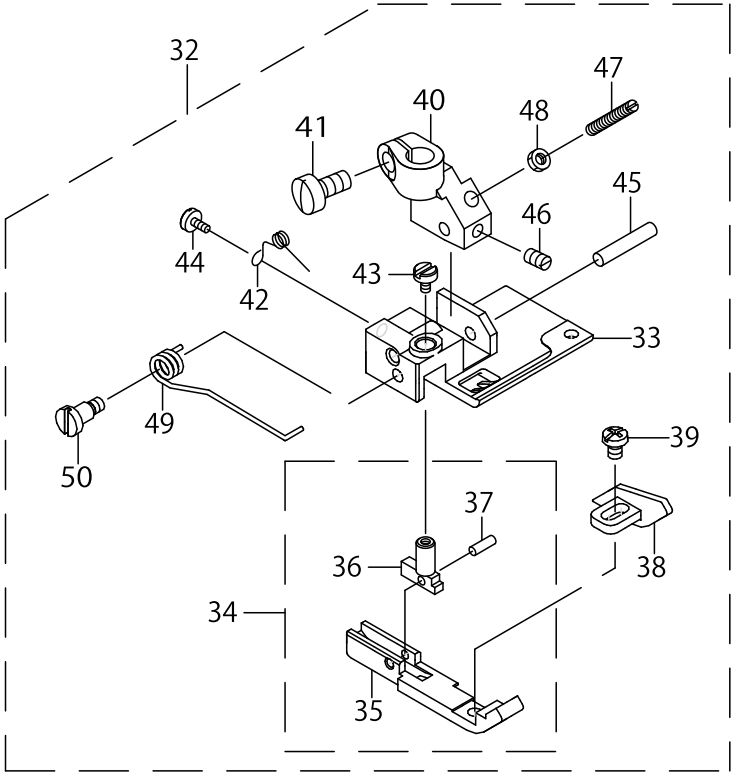
No.	Supply Code	Parts No.	Replacement	Parts name	Remarks	Choice	Step	Level	Cons	Qty	Rep. QTY
42		40021834		BRACKET_REAR_ROLLER_1				*		1	
43		40021838		SHAFT_REAR_ROLLER				*		1	
44		40021837		REAR_ROLLER_SMALL				*		1	
45		NM7040032SC		HEXAGONAL CAP NUT, TYPE 3 M4				*		1	
46		SM6060802TP		SCREW M6 L=8						2	
47		70003395		ASSY_CLOTH_DUST_PIPE						1	
48		EA9500B0200		CABLE BAND 150						1	
49		WP0551626SD		WASHER 5.5X22.0X1.6						1	
50		SM4040855SP		SCREW						1	

GAUGE PARTS COMPONENTS

MF-7922-E11-B40



MF-7923-E11-B56
MF-7923-E11-B64

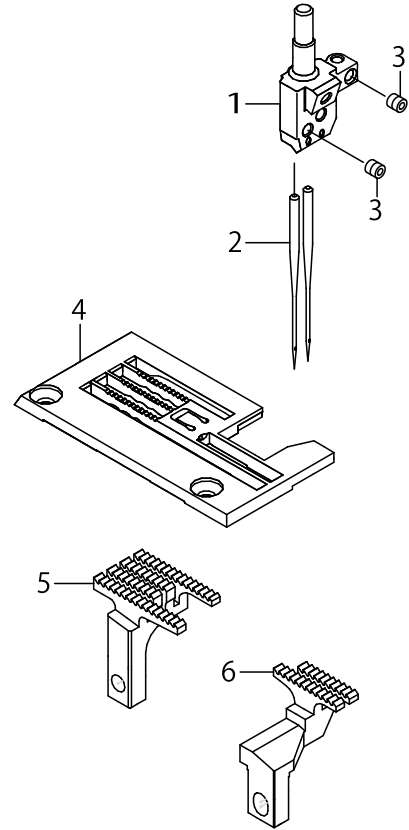
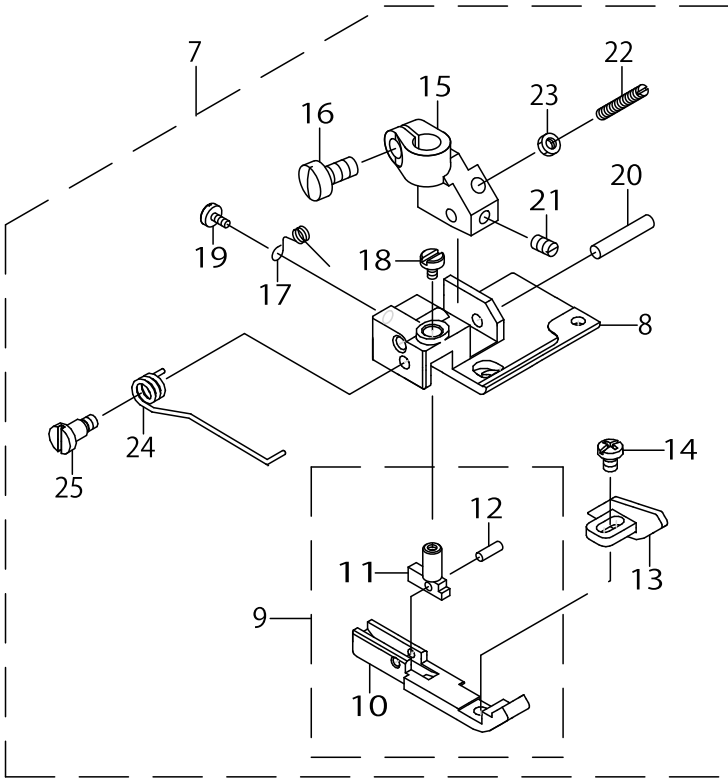


GAUGE PARTS COMPONENTS

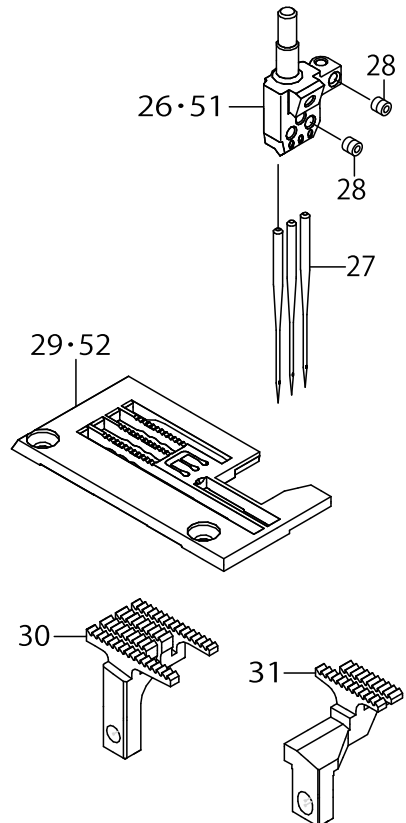
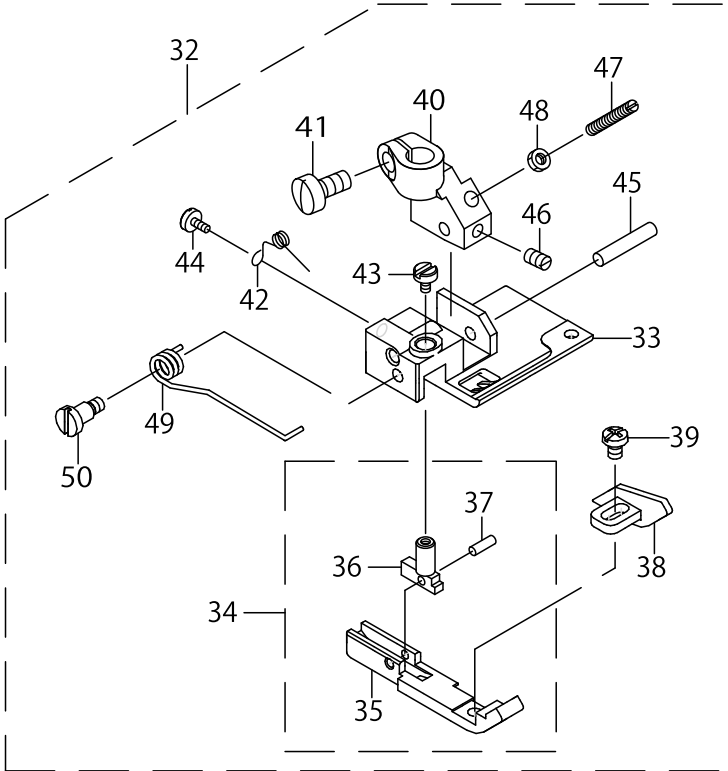
No.	Supply Code	Parts No.	Replacement	Parts name	Remarks	Choice	Step	Level	Cons	Qty	Rep. QTY
1		13350103		NEEDLE_HEAD_40						1	
2		MUY128S1000		NEEDLE						2	
3		SM8030312TP		SCREW M3 L=3						3	
4		13356001		THROAT_PLATE						1	
5		13430806		MAIN_FEED_DOG						1	
6		13433107		DIFF_FEED_DOG						1	
7		40022100		PRESSER_FOOT_40_ASSY						1	
8		40022103		PRESSER_FOOT_BOTTOM_40				*		1	
9		40022106		YIELDING_SECTION_ASSY				*		1	
10		40022107		YIELDING_SECTION				*		1	
11		13377205		YIELDING_SECTION_SHANK				*		1	
12		13377304		PIVOT_PIN				*		1	
13		40022108		KNIFE_GUIDE				*		1	
14		SM4030455SP		SCREW				*		1	
15		13376504		PRESSER_FOOT_SHANK				*		1	
16		SM7040800SL		SCREW				*		1	
17		13376603		YIELDING_SECTION_SPRING				*		1	
18	R	13376702	13376157	THREAD_SPRING_SCREW				*		1	1.00
19		SM4030455SP		SCREW				*		1	
20		PH0300162C0		PARALLEL PIN 3X16				*		1	
21		SM8030500SP		SCREW				*		1	
22		13376801		SCREW_FOR_PRESSER_FOOT				*		1	
23		NM6030001SD		NUT M3X0.5				*		1	
24		40022109		YIELDING_SECTIONSPRING				*		1	
25		13377809		GUIDE_SCREW				*		1	
26		13350301		NEEDLE_HEAD_56	FOR MF-7-923-E11-B56					1	
27		MUY128S1000		NEEDLE						3	
28		SM8030312TP		SCREW M3 L=3						4	
29		13356209		THROAT_PLATE	FOR MF-7-923-E11-B56					1	
30		13430905		MAIN_FEED_DOG						1	
31		13433206		DIFF_FEED_DOG						1	
32		40022101		PRESSER_FOOT_56_ASSY						1	
33		40022104		PRESSER_FOOT_BOTTOM_56				*		1	
34		40022106		YIELDING_SECTION_ASSY				*		1	
35		40022107		YIELDING_SECTION				*		1	
36		13377205		YIELDING_SECTION_SHANK				*		1	
37		13377304		PIVOT_PIN				*		1	
38		40022108		KNIFE_GUIDE				*		1	
39		SM4030455SP		SCREW				*		1	
40		13376504		PRESSER_FOOT_SHANK				*		1	
41		SM7040800SL		SCREW				*		1	
42		13376603		YIELDING_SECTION_SPRING				*		1	
43	R	13376702	13376157	THREAD_SPRING_SCREW				*		1	1.00
44		SM4030455SP		SCREW				*		1	
45		PH0300162C0		PARALLEL PIN 3X16				*		1	

GAUGE PARTS COMPONENTS

MF-7922-E11-B40



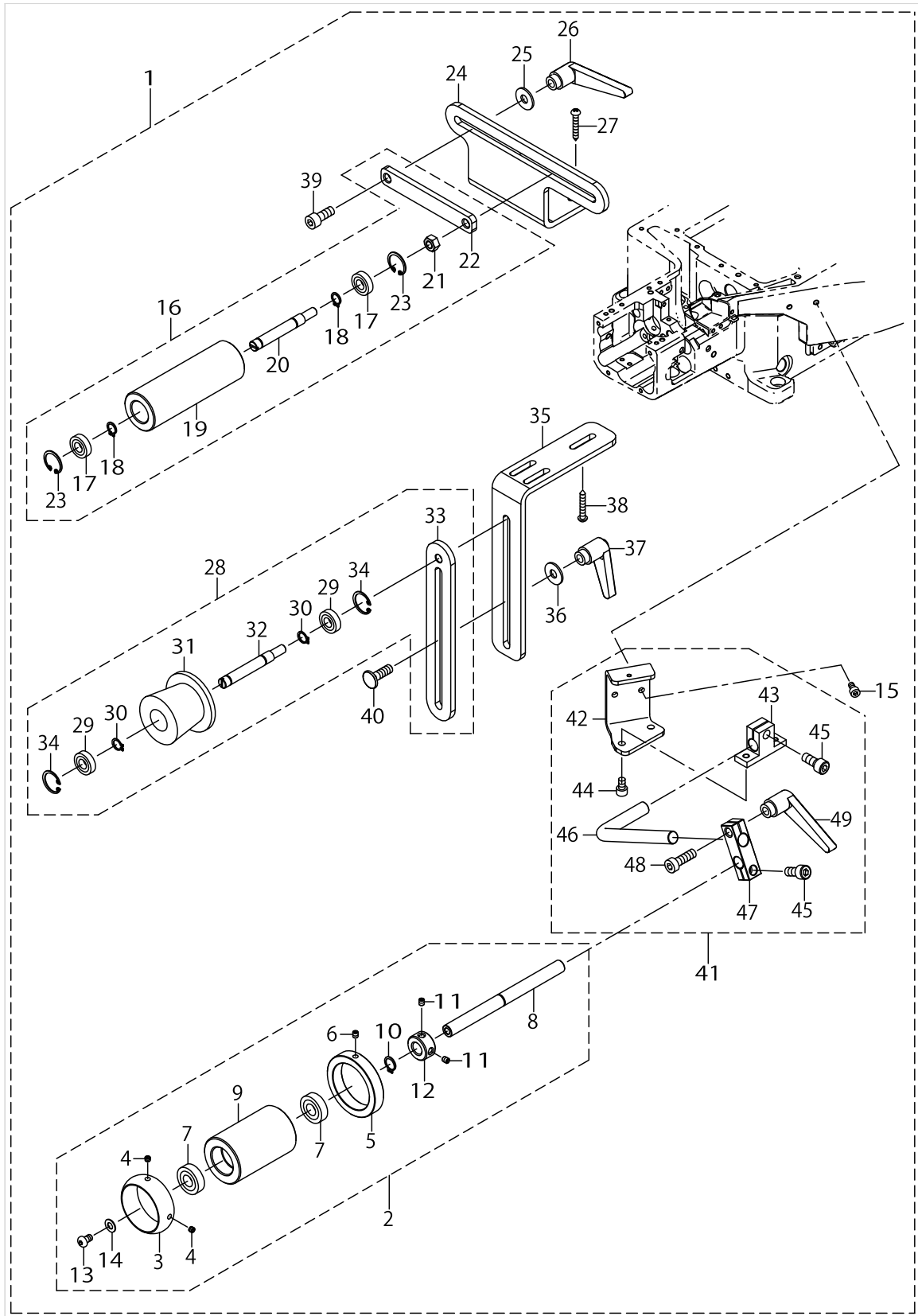
MF-7923-E11-B56
MF-7923-E11-B64



GAUGE PARTS COMPONENTS

No.	Supply Code	Parts No.	Replacement	Parts name	Remarks	Choice	Step	Level	Cons	Qty	Rep. QTY
46		SM8030500SP		SCREW				*		1	
47		13376801		SCREW_FOR_PRESSER_FOOT				*		1	
48		NM6030001SD		NUT M3X0.5				*		1	
49		40022109		YIELDING_SECTIONSPRING				*		1	
50		13377809		GUIDE_SCREW				*		1	
51		13350400		NEEDLE_HEAD_64	FOR MF-7-923-E11-B64					1	
52		13356308		THROAT_PLATE	FOR MF-7-923-E11-B64					1	

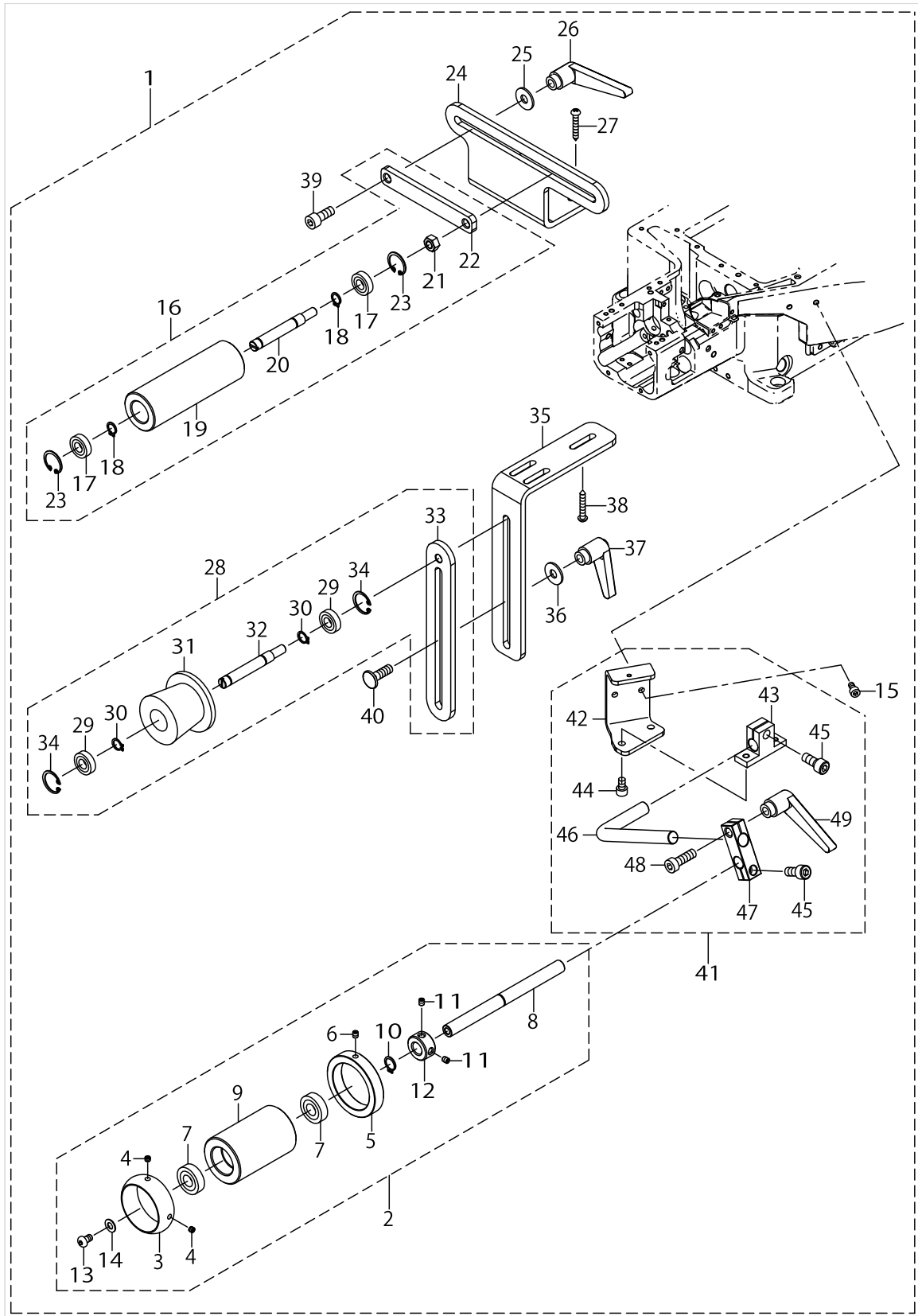
TENSION ROLLER COMPONENTS



TENSION ROLLER COMPONENTS

No.	Supply Code	Parts No.	Replacement	Parts name	Remarks	Choice	Step	Level	Cons	Qty	Rep. QTY
1		70003687		MF-7900-E11_TENSION_ROLLER_ASSY						1	
2		40031141		FRONT_ROLLER_SUB_ASSEMBLY				*		1	
3		40024938		CLOTH_GUIDE				*		1	
4		SM8050412TP		SCREW M5 L=4				*		2	
5		40021845		COLLAR_LARGE				*		1	
6		SM8050612TP		SCREW M5X6				*		1	
7		SB112000200		BEARING				*		2	
8		40030143		ROLLER_SHAFT				*		1	
9		40030144		FRONT_ROLLER				*		1	
10		RC1200001KP		C-SHAPED SNAP RING				*		1	
11		SM8050612TP		SCREW M5X6				*		2	
12		40030284		COLLAR				*		1	
13		SM3061052TP		SCREW M6 L=10				*		1	
14		WP0621016SD		WASHER 6.2X13X1				*		1	
15		SM6051002TP		SCREW M5X0.8 L=10				*		2	
16		40031142		REAR_ROLLER_SUB_ASSEMBLY				*		1	
17		SB110000900		BEARING				*		2	
18		RC0100001KP		SNAP RING M10				*		2	
19		40030148		REAR_ROLLER				*		1	
20		40030147		REAR_SHAFT				*		1	
21		NM6080001SC		NUT M8X1.25				*		1	
22		40030149		REAR_LEVER				*		1	
23		RC2200002KP		RETAINING RING				*		2	
24		40030150		REAR_BRACKET				*		1	
25		WP0851846SC		WASHER 8.5X22.0X1.8				*		1	
26		40031043		CLAMP_LEVER				*		1	
27		SK3483201SE		WOOD SCREW D=4.8 L=32				*		3	
28		40031143		LOWER_ROLLER_SUB_ASSEMBLY				*		1	
29		SB110000900		BEARING				*		2	
30		RC0100001KP		SNAP RING M10				*		2	
31		40030141		LOWER_ROLLER				*		1	
32		40030142		LOWER_ROLLER_SHAFT				*		1	
33		40030152		ROLLER_PLATE				*		1	
34		RC2200002KP		RETAINING RING				*		2	
35		40024944		L_PLATE				*		1	
36		WP0851846SC		WASHER 8.5X22.0X1.8				*		1	
37		40031043		CLAMP_LEVER				*		1	
38		SK3483201SE		WOOD SCREW D=4.8 L=32				*		3	
39		SM6082002TP		SCREW M8 L=20				*		1	
40		MTJMS000100		BOLT M8 L=25				*		1	
41		70003422		FRONT_ROLLER_BRACKET_ASSY				*		1	
42		70003391		TENSION_ROLLER_BRACKET				*		1	
43		70003393		BRACKET				*		1	
44		SM6061002TP		SCREW M6 L=10				*		2	
45		SM6081802TP		SCREW				*		2	
46		70003392		TENSION_ROLLER_SHAFT				*		1	

TENSION ROLLER COMPONENTS



TENSION ROLLER COMPONENTS

No.	Supply Code	Parts No.	Replacement	Parts name	Remarks	Choice	Step	Level	Cons	Qty	Rep. QTY
47		40030151		BLOCK				*		1	
48		SM6082502TP		SCREW M8 L=25				*		1	
49		40031043		CLAMP_LEVER				*		1	

HOW TO MAKE USE OF THIS PARTS LIST

- 1.As to "#01" and "#02" refer to the "Note" given at the bottom of the respective pages.
- 2.Codes on the "Qty" column
 - Each numeral indicates the number of parts required.
 - "0.1" and "2.5" indicate the length (in meters) of the respective parts.
- 3.Parentheses mean that the corresponding part is a subpart that constructs an assembly part.
- 4.Dotted lines on the Figures indicate assembly parts.

1. リストページの# 0 1、# 0 2の印は、ページ下の"注記"の説明を参照下さい。
2. 数量欄の数字は、個数を表し、0. 1、2. 5等の数値は、長さ（単位メートル）を表します。
3. 数量欄の（ ）は、組部品を構成している子部品であることを意味します。
4. イラストページの-----枠は、組構成であることを意味します。

ALL PARTS NOT MENTIONED IN THIS PARTS LIST ARE SAME AS THOSE OF
MODEL MF-7900. OTHER PARTS LIST RELATED TO THIS MODEL.
*MF-7900. (NO.1599 PART NO.70002009)

このパーツリスト記載以外の部品はMF-7900.と共通です。
この機種に関連するパーツリストとして下記のパーツリストがあります。
* MF-7900. (NO.1599 品番70002009)

NUMERICAL INDEX OF PARTS

PART NO	PAGE	REF NO.	PART NO	PAGE	REF NO.	PART NO	PAGE	REF NO.
11846805	6	7	40020063	10	16	40031141	18	2
13123302	8	65	40020064	10	17	40031142	18	16
13131602	6	34	40020065	10	23	40031143	18	28
13301908	8	73	40020066	10	18	40033341	2	44
13302302	2	27	40020067	10	19	40038091	6	8
13302500	6	6	40020068	10	30	40038099	8	66
13350103	14	1	40020069	10	29	40038511	6	9
13350301	14	26·51	40020070	10	28	40040137	6	20
13350400	16	26·51	40020071	10	24	40040963	8	55
13356001	14	4	40021834	12	42	70001414	2	34
13356209	14	29·52	40021835	10	37	70001648	2	28
13356308	16	29·52	40021836	10	36	70001653	2	3
13376504	14	40	40021837	10	44	70001655	2	2
13376603	14	42	40021837	12	44	70001661	2	10
13376702	14	43	40021838	10	43	70001677	2	39
13376801	14	47	40021838	12	43	70001854	6	2
13376801	16	47	40021845	18	5	70003346	8	67
13377205	14	36	40022100	14	7	70003351	2	43
13377304	14	37	40022101	14	32	70003352	2	12
13377809	14	50	40022103	14	8	70003353	2	1
13377809	16	50	40022104	14	33	70003355	2	20
13401906	2	5	40022106	14	34	70003357	2	21
13402706	2	32	40022107	14	35	70003358	2	25
13403407	2	13	40022108	14	38	70003360	2	30
13403605	2	38	40022109	14	49	70003363	8	68
13409800	2	36	40022109	16	49	70003364	6	1
13412002	6	28~30	40024938	18	3	70003366	6	3
13412101	6	28~30	40024944	18	35	70003367	6	4
13412200	6	28~30	40024947	10	1	70003368	6	5
13430806	14	5	40026581	10	41	70003369	6	13
13430905	14	30	40026582	10	35	70003370	6	15
13433107	14	6	40026641	2	45	70003371	6	16
13433206	14	31	40030141	18	31	70003372	6	26
14420004	8	58	40030142	18	32	70003373	6	32
23630007	2	14	40030143	18	8	70003374	6	37
40010553	6	18	40030144	18	9	70003375	6	39
40016782	2	24	40030147	18	20	70003376	6	40
40020050	10	2	40030148	18	19	70003377	6	43
40020053	10	3	40030149	18	22	70003378	6	45
40020054	10	12	40030150	18	24	70003379	8	48
40020055	10	4	40030151	20	47	70003380	8	53
40020056	10	14	40030152	18	33	70003383	8	56
40020057	10	9	40030284	18	12	70003384	8	59
40020060	10	5	40031043	18	49	70003385	8	61
40020062	10	11	40031043	20	49	70003389	8	49

NUMERICAL INDEX OF PARTS

PART NO	PAGE	REF NO.	PART NO	PAGE	REF NO.	PART NO	PAGE	REF NO.
70003390	8	63	SB112000200	18	7	SM8040412TP	10	32
70003391	18	42	SD0640246SP	2	50	SM8040512TP	6	46
70003392	18	46	SD0640246SP	4	50	SM8040612TP	6	42
70003393	18	43	SK3483201SE	18	38	SM8041012TP	2	16
70003394	8	47	SM1030501SN	10	13	SM8050412TP	8	54
70003395	12	47	SM1040800SP	2	31	SM8050412TP	18	4
70003399	4	52	SM3061052TP	18	13	SM8050512TP	6	38
70003422	18	41	SM4030455SN	4	47	SM8050612TP	6	50
70003425	8	71	SM4030455SP	6	23	SM8050612TP	8	50
70003426	8	72	SM4030455SP	14	44	SM8050612TP	18	11
70003427	8	69	SM4030655SP	2	15	WP0550836SC	10	27
70003483	6	21	SM4030855SN	4	48	WP0551626SD	12	49
70003687	18	1	SM4040655SP	2	53	WP0621016SD	18	14
70004056	2	40	SM4040655SP	4	53	WP0851846SC	18	36
70004253	6	19	SM4040655SP	6	12	WS0510002KP	2	35
CQ200000000	6	36	SM4040855SP	2	18	WZ0641510KP	2	46
CQ202000000	6	35	SM4040855SP	8	62			
CS0550781CB	10	6	SM4040855SP	12	50			
CS0800881TP	8	51	SM4041055SP	2	23			
EA9500B0200	12	48	SM4051255SP	6	24			
MTJMS000100	18	40	SM4060801SE	4	51			
MUY128S1000	14	27	SM6040502TP	10	10			
NM6030001SD	14	48	SM6040650TP	8	60			
NM6030001SD	16	48	SM6040650TP	10	34			
NM6040000SN	4	49	SM6040750TP	2	19			
NM6040001SC	2	17	SM6040800SP	2	4			
NM6050002SE	10	26	SM6040800SP	10	33			
NM6080001SC	18	21	SM6041000SP	8	70			
NM7040032SC	10	45	SM6050652TP	10	21			
NM7040032SC	12	45	SM6050800SP	2	37			
PH0150065C0	6	22	SM6050802TP	10	22			
PH0300162C0	14	45	SM6051002TP	18	15			
PH0300252C0	2	7	SM6060802TP	12	46			
PS0150042K0	2	22	SM6061002TP	18	44			
PS0150065KP	6	10	SM6061010TP	6	25			
RC0100001KP	18	30	SM6081802TP	18	45			
RC1200001KP	18	10	SM6082002TP	18	39			
RC2200002KP	18	34	SM6082502TP	20	48			
RE0300000K0	8	64	SM7040800SL	14	41			
RE0500000K0	10	31	SM8030312TP	14	28			
RO037180100	2	9	SM8030500SP	14	46			
RO048190100	6	44	SM8030500SP	16	46			
RO055200100	6	11	SM8040302TP	10	20			
RO068190100	6	41	SM8040360TP	2	33			
SB110000900	18	29	SM8040412TP	2	29			