

MODEL : MF-7500-E11

List No : 1638-00

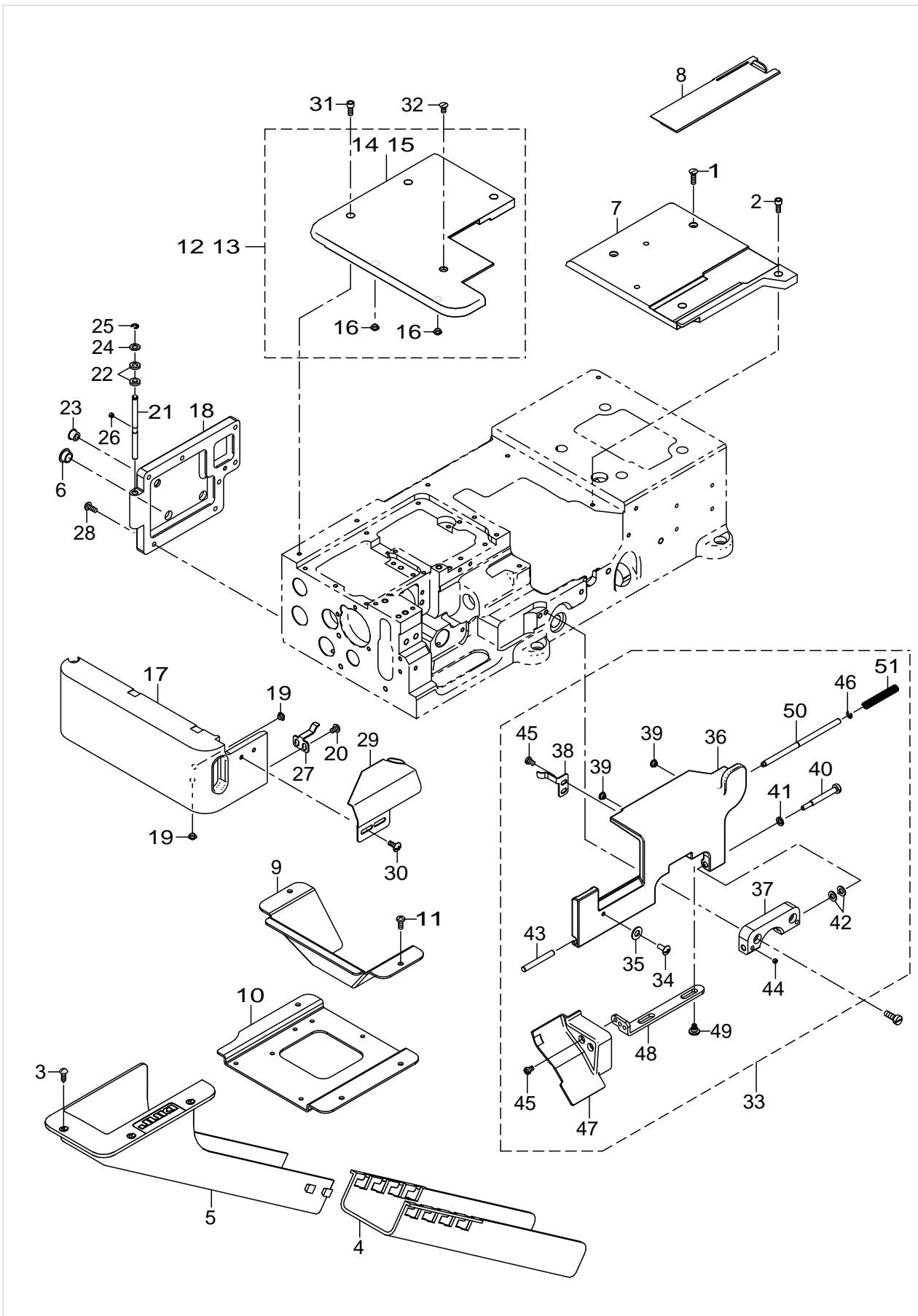
PARTS LIST

Published:05/12/2017

CONTENTS

MISCELLANEOUS COVER COMPONENTS.....	1
GAUGE PARTS COMPONENTS	5
FABRIC TRIMMER RIGHT COMPONENTS.....	11
HOW TO MAKE USE OF THIS PARTS LIST	15

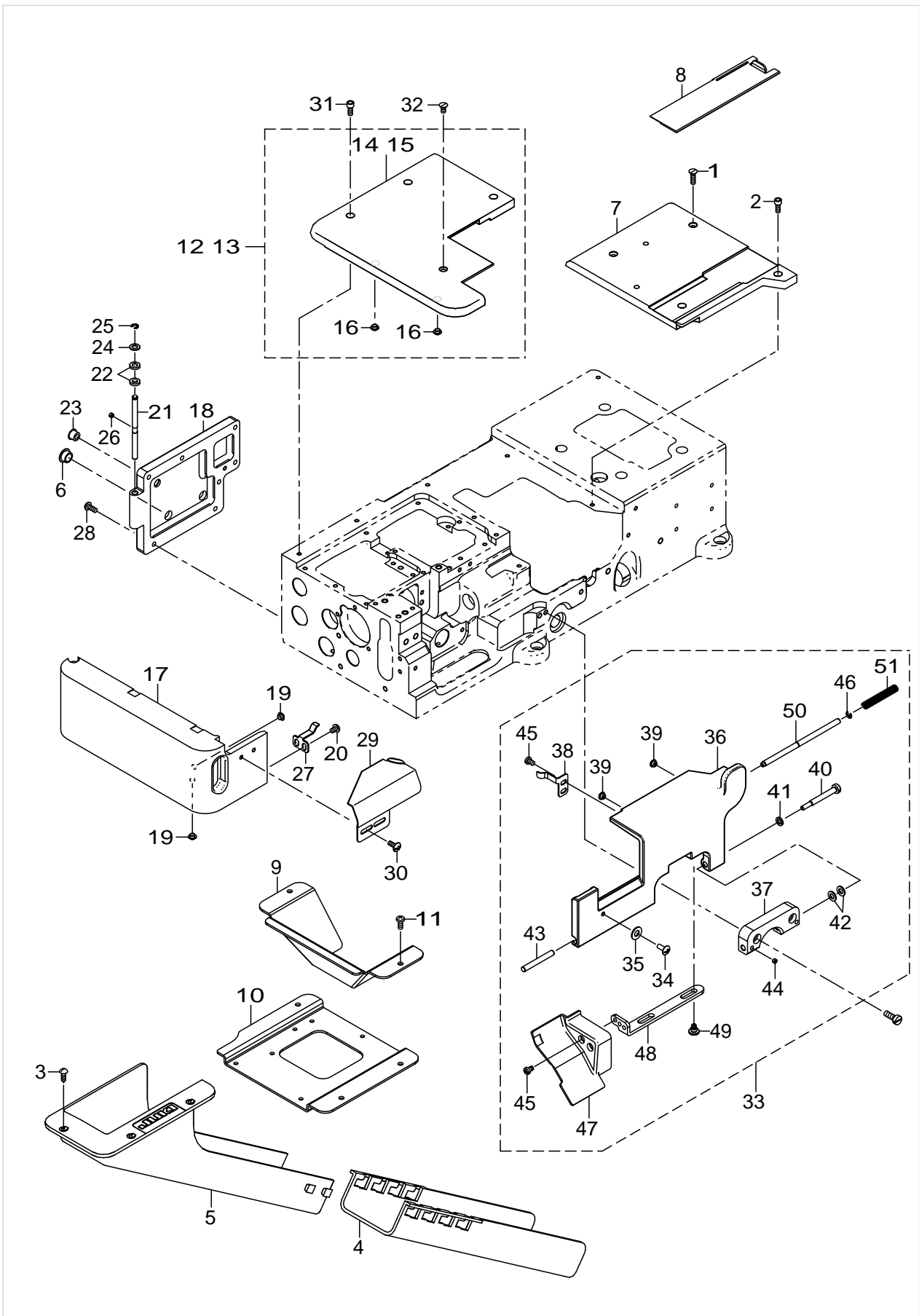
MISCELLANEOUS COVER COMPONENTS



MISCELLANEOUS COVER COMPONENTS

No.	Supply Code	Parts No.	Replacement	Parts name	Remarks	Choice	Step	Level	Cons	Qty	Rep. QTY
1		SM1041400SP		SCREW						2	
2		SM6041002TP		SCREW M4X0.7 L=10						2	
3		SK3412001SE		WOOD SCREW D=4.1 L=20						5	
4		12341806		CLOTH WASTE CHUTE						1	
5		40017248		DUST_SHOOT_UP						1	
6		TA1050504R0		RUBBER PLUG						2	
7		13303706		CLOTH PLATE RIGHT						1	
8		13303805		SLIDE COVER						1	
9		40071739		DUST_CHUTE						1	
10		40071738		DUST_CHUTE_BRACKET						1	
11		SM5041055SN		SCREW M4X10						3	
12		70003502		ASSY_CLOTH_PLATE_LEFT_E11	WITH NO TC16					1	
13		70003997		ASSY_CLOTH_PLATE_LEFT_TC	WITH TC16					1	
14		70003503		CLOTH_PLATE_LEFT_E11	WITH NO TC16			*		1	
15		70003999		CLOTH_PLATE_LEFT_TC	WITH TC16			*		1	
16		13302302		RUBBER BUMPER				*		2	
17		70003500		SIDE_COVER						1	
18		70001659		FEED_CHAMBER_COVER						1	
19		13302302		RUBBER BUMPER						2	
20		SM4040655SP		SCREW M4 L=6						2	
21		13305107		PIN_FOR_SIDE_COVER						1	
22		13302708		RUBBER_WASHER						2	
23		TA0850604R0		RUBBER PLUG						1	
24		WP0550800SP		WASHER 5.5X10X0.8						1	
25		RE0300000K0		E-RING 3						1	
26		SM8040360TP		SCREW						1	
27		13304308		LATCH SPRING						1	
28		SM4041055SP		SCREW						7	
29	R	40040542	40099970	GUIDE_CIRCLE						1	1.00
30		SM0041055SP		SCREW						2	
31		SM6041002TP		SCREW M4X0.7 L=10						3	
32		SM1040800SP		SCREW						1	
33		70003495		ASSY_SWING_DOWN_COVER_E11						1	
34		SM0041055SP		SCREW				*		1	
35		WP0621016SD		WASHER 6.2X13X1				*		1	
36		70003496		SWING_DOWN_COVER_E11				*		1	
37	R	70001431	70004972	HINGE				*		1	1.00
38		40008947		LATCH_SPRING				*		1	
39		13302302		RUBBER BUMPER				*		2	
40		70001414		SCREW				*		1	
41		WS0510002KP		SPRING WASHER 5.1X9.2X1.3				*		1	
42		WP0531000SC		WASHER 5.3X10X1				*		2	
43		PH0500400C0		PARALLEL PIN				*		1	
44		SM8040412TP		SET SCREW M4 L=4				*		2	
45		SM4040655SP		SCREW M4 L=6				*		4	
46		RE0300000K0		E-RING 3				*		1	

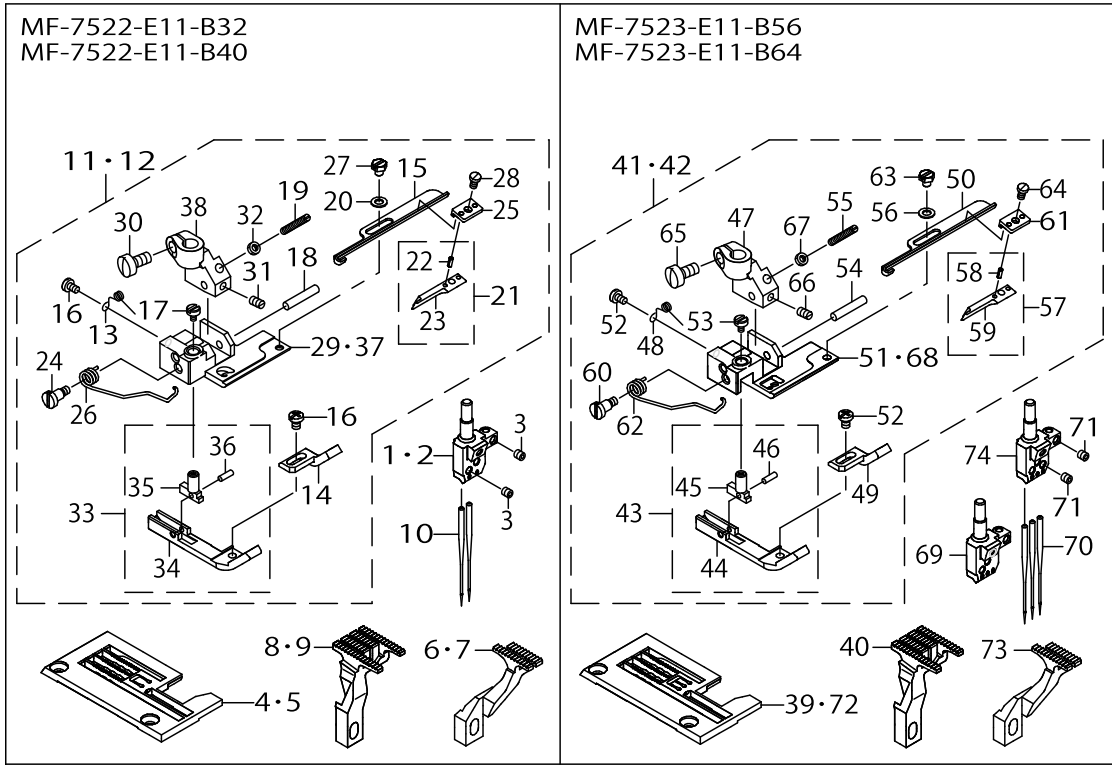
MISCELLANEOUS COVER COMPONENTS



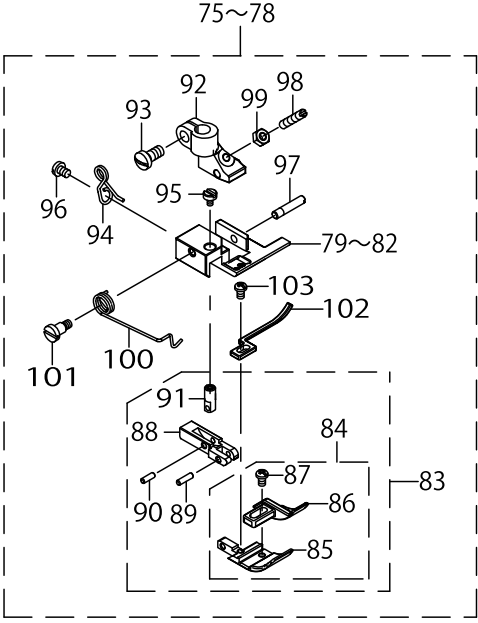
MISCELLANEOUS COVER COMPONENTS

No.	Supply Code	Parts No.	Replacement	Parts name	Remarks	Choice	Step	Level	Cons	Qty	Rep. QTY
47		70003498		SLIP_COVER				*		1	
48		40008939		PLATE_A				*		1	
49		SD0600326TP		SHOULDER SCREW				*		2	
50		40008940		SLIDE_SHAFT				*		1	
51		13101209		LOOPER COVER SPRING				*		1	

GAUGE PARTS COMPONENTS



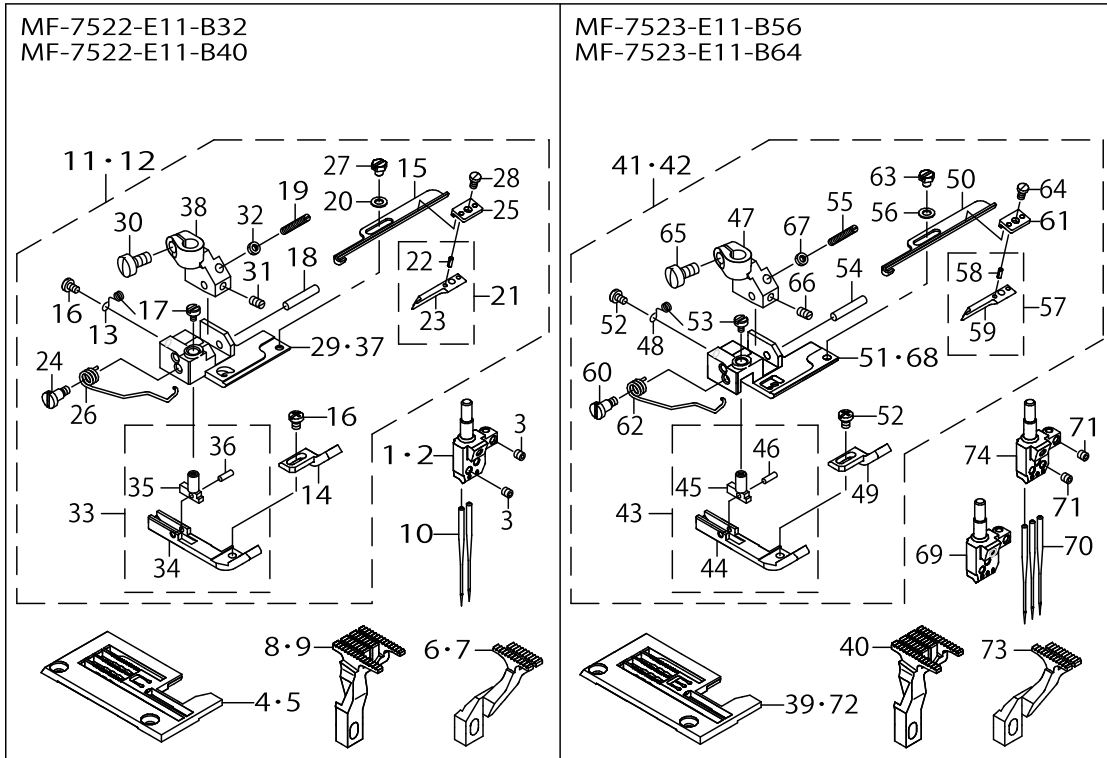
OPTION GAUGE PARTS



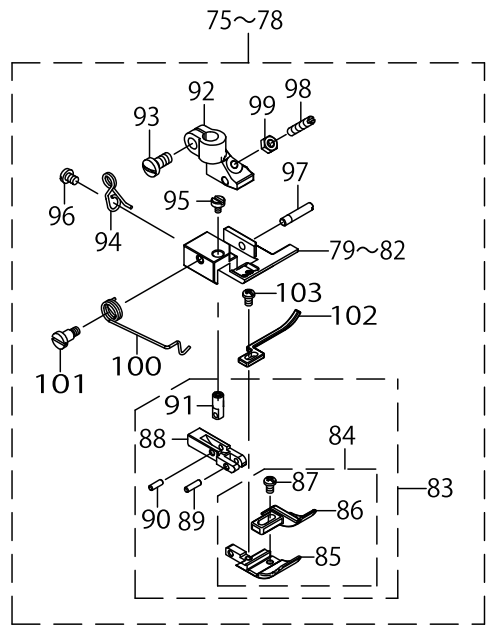
GAUGE PARTS COMPONENTS

No.	Supply Code	Parts No.	Replacement	Parts name	Remarks	Choice	Step	Level	Cons	Qty	Rep. QTY
1		13350103		NEEDLE_HEAD_40	FOR MF-7-522-E10-B40					1	
2		13350004		NEEDLE_HEAD_32	FOR MF-7-522-E10-B32					1	
3		SM8030312TP		SCREW M3 L=3						3	
4		40058580		THROAT_PLATE	FOR MF-7-522-E10-B32					1	
5		13356001		THROAT_PLATE	FOR MF-7-522-E10-B40					1	
6		40058582		DIFF_FEED_DOG	FOR MF-7-522-E10-B32					1	
7		13358106		DIFF_FEED_DOG	FOR MF-7-522-E10-B40					1	
8		40079714		MAIN FEED DOG	FOR MF-7-522-E10-B32					1	
9		40079715		MAIN FEED DOG	FOR MF-7-522-E10-B40					1	
10		MUY128S1000		NEEDLE						2	
11		40058591		PRESSER_FOOT_32_ASSY	FOR MF-7-522-E10-B32					1	
12		40018288		PRESSER_FOOT_40_ASSY	FOR MF-7-522-E10-B40					1	
13		13376603		YIELDING_SECTION_SPRING				*		1	
14		13377601		KNIFE_GUIDE				*		1	
15		13377908		TAPE_GUIDE_LEFT				*		1	
16		SM4030455SP		SCREW				*		2	
17	R	13376702	13376157	THREAD_SPRING_SCREW				*		1	1.00
18		PH0300162C0		PARALLEL PIN 3X16				*		1	
19		13376801		SCREW_FOR_PRESSER_FOOT				*		1	
20		WP0320500SC		WASHER M3				*		1	
21		40027528		TAPE_GUIDE_RIGHT_ASSY				*		1	
22		PS0150042K0		SPRING PIN 1.5X 4				*		2	
23	R	40027527	40027528	TAPE_GUIDE_RIGHT				*		1	1.00
24		13377809		GUIDE_SCREW				*		1	
25		13378203		PLATE_TAPE_GUIDE				*		1	
26		13377700		YIELDING_SECTION_SPRING				*		1	
27		13378005		SCREW				*		1	
28		SM6850400SP		SCREW M2.5 L=4				*		1	
29		40058590		PRESSER_FOOT_BOTTOM_32	FOR MF-7-522-E10-B32			*		1	
30		SM7040800SL		SCREW				*		1	
31		SM8030500SP		SCREW				*		1	
32		NM6030001SD		NUT M3X0.5				*		1	
33	R	13377551	40058591	YIELDING_SECTION_ASSY				*		1	1.00
34	R	13377502	40018288	YIELDING_SECTION		A		*		1	1.00
34	R	13377502	40018289	YIELDING_SECTION		B		*		1	1.00
35		13377205		YIELDING_SECTION_SHANK				*		1	
36		13377304		PIVOT_PIN				*		1	
37	R	13376108	13376157	PRESSER_FOOT_BOTTOM_40	FOR MF-7-522-E10-B40			*		1	1.00
38		13376504		PRESSER_FOOT_SHANK				*		1	
39		13356209		THROAT_PLATE	FOR MF-7-523-E10-B56					1	
40		40079716		MAIN FEED DOG						1	

GAUGE PARTS COMPONENTS



OPTION GAUGE PARTS

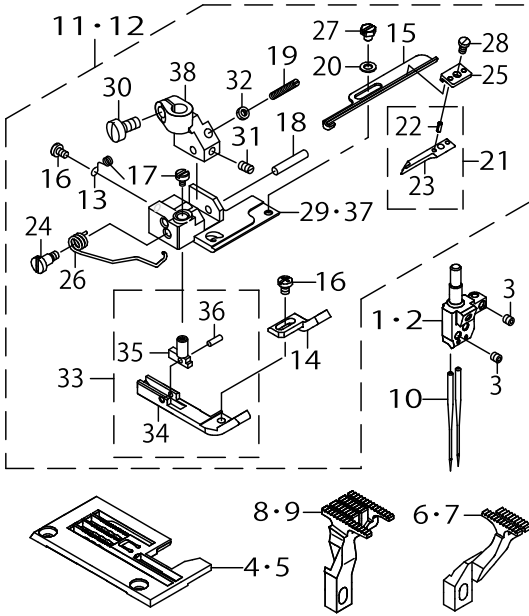


GAUGE PARTS COMPONENTS

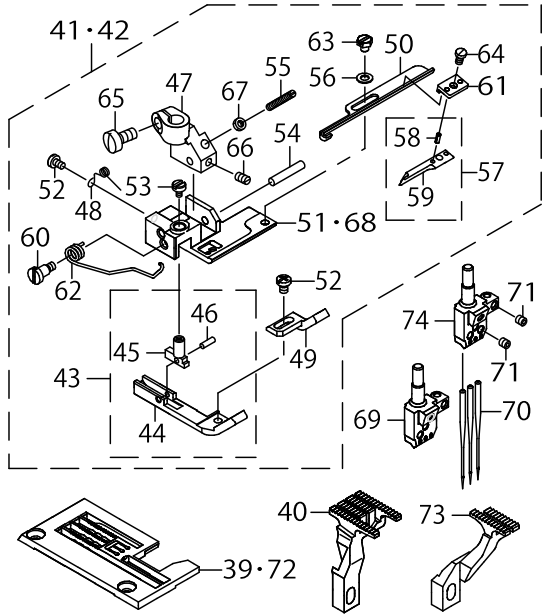
No.	Supply Code	Parts No.	Replacement	Parts name	Remarks	Choice	Step	Level	Cons	Qty	Rep. QTY
41		40099964		PRESSER_FOOT_56_ASSY	FOR MF-7-523-E10-B56					1	
42		40018289		PRESSER_FOOT_56_ASSY	FOR MF-7-523-E10-B64					1	
43	R	13377551	40058591	YIELDING_SECTION_ASSY				*		1	1.00
44	R	13377502	40018288	YIELDING_SECTION		A		*		1	1.00
44	R	13377502	40018289	YIELDING_SECTION		B		*		1	1.00
45		13377205		YIELDING_SECTION_SHANK				*		1	
46		13377304		PIVOT_PIN				*		1	
47		13376504		PRESSER_FOOT_SHANK				*		1	
48		13376603		YIELDING_SECTION_SPRING				*		1	
49		13377601		KNIFE_GUIDE				*		1	
50		13377908		TAPE_GUIDE_LEFT				*		1	
51		40099965		PRESSER_FOOT_BOTTOM_56	FOR MF-7-523-E10-B56			*		1	
52		SM4030455SP		SCREW				*		2	
53	R	13376702	13376157	THREAD_SPRING_SCREW				*		1	1.00
54		PH0300162C0		PARALLEL_PIN_3X16				*		1	
55		13376801		SCREW_FOR_PRESSER_FOOT				*		1	
56		WP0320500SC		WASHER_M3				*		1	
57		40027528		TAPE_GUIDE_RIGHT_ASSY				*		1	
58		PS0150042K0		SPRING_PIN_1.5X_4				*		2	
59	R	40027527	40027528	TAPE_GUIDE_RIGHT				*		1	1.00
60		13377809		GUIDE_SCREW				*		1	
61		13378203		PLATE_TAPE_GUIDE				*		1	
62		13377700		YIELDING_SECTION_SPRING				*		1	
63		13378005		SCREW				*		1	
64		SM6850400SP		SCREW_M2.5_L=4				*		1	
65		SM7040800SL		SCREW				*		1	
66		SM8030500SP		SCREW				*		1	
67		NM6030001SD		NUT_M3X0.5				*		1	
68	R	13376207	13376256	PRESSER_FOOT_BOTTOM_56	FOR MF-7-523-E10-B64	A	C10	*		1	1.00
68	R	13376207	40018289	PRESSER_FOOT_BOTTOM_56	FOR MF-7-523-E10-B64	B	E10	*		1	1.00
69		13350400		NEEDLE_HEAD_64	FOR MF-7-523-E10-B64					1	
70		MUY128S1000		NEEDLE						3	
71		SM8030312TP		SCREW_M3_L=3						4	
72		13356308		THROAT_PLATE	FOR MF-7-523-E10-B64					1	
73		13358205		DIFF_FEED_DOG						1	
74		13350301		NEEDLE_HEAD_56	FOR MF-7-523-E10-B56					1	
75		70003617		PRESSER_FOOT_32_ASSY	FOR MF-7-522-E10-B32					1	
76		70003619		PRESSER_FOOT_40_ASSY	FOR MF-7-522-E10-B40					1	
77		70003602		PRESSER_FOOT_56_ASSY	FOR MF-7-523-E10-B56					1	
78		70003621		PRESSER_FOOT_64_ASSY	FOR MF-7-523-E10-B64					1	
79		70003618		PRESSER_FOOT_BOTTOM_32	FOR MF-7-522-E10-B32			*		1	

GAUGE PARTS COMPONENTS

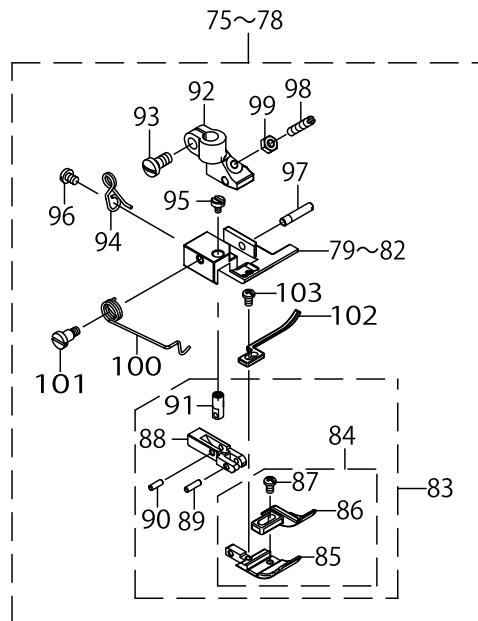
MF-7522-E11-B32
MF-7522-E11-B40



MF-7523-E11-B56
MF-7523-E11-B64



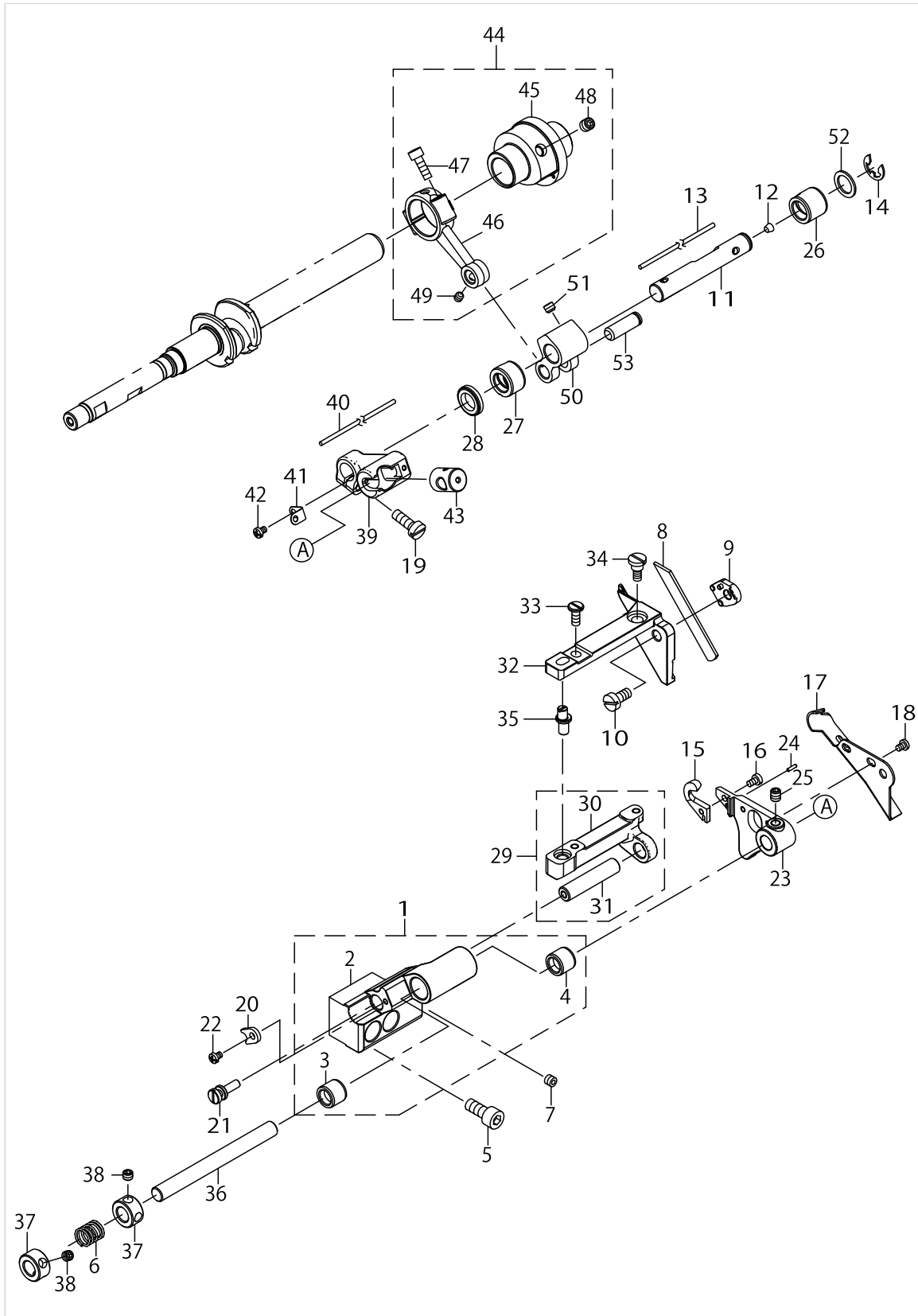
OPTION GAUGE PARTS



GAUGE PARTS COMPONENTS

No.	Supply Code	Parts No.	Replacement	Parts name	Remarks	Choice	Step	Level	Cons	Qty	Rep. QTY
80		70003620		PRESSER_FOOT_BOTTOM_40	FOR MF-7-522-E10-B40			*		1	
81		70003603		PRESSER_FOOT_BOTTOM_56	FOR MF-7-523-E10-B56			*		1	
82		70003622		PRESSER_FOOT_BOTTOM_64	FOR MF-7-523-E10-B64			*		1	
83		70003616		YIELDING_SECTION_ASSY				*		1	
84		70003615		KNIFE GUIDE ASSY				*		1	
85		70003604		YIELDING_SECTION_FRONT				*		1	
86		70003609		KNIFE GUIDE				*		1	
87		SM4850455SN		SCREW M2.5 L=4				*		1	
88		70003605		YIELDING_SECTION				*		1	
89		70003607		PIVOT_PIN				*		1	
90		13377304		PIVOT_PIN				*		1	
91		70003606		YIELDING_SECTION_SHANK				*		1	
92		70003613		PRESSER_FOOT_SHANK				*		1	
93		SM7040800SL		SCREW				*		1	
94		70003612		YIELDING_SECTION_SPRING				*		1	
95	R	13376702	13376157	THREAD_SPRING_SCREW				*		1	1.00
96		SM4030455SP		SCREW				*		1	
97		70003614		PARALLEL_PIN				*		1	
98		13376801		SCREW_FOR_PRESSER_FOOT				*		1	
99		NM6030001SD		NUT M3X0.5				*		1	
100		70003611		YIELDING_SECTION_SPRING				*		1	
101		13377809		GUIDE_SCREW				*		1	
102		70003610		TAPE_GUIDE_LEFT				*		1	
103		SM4850455SN		SCREW M2.5 L=4				*		1	

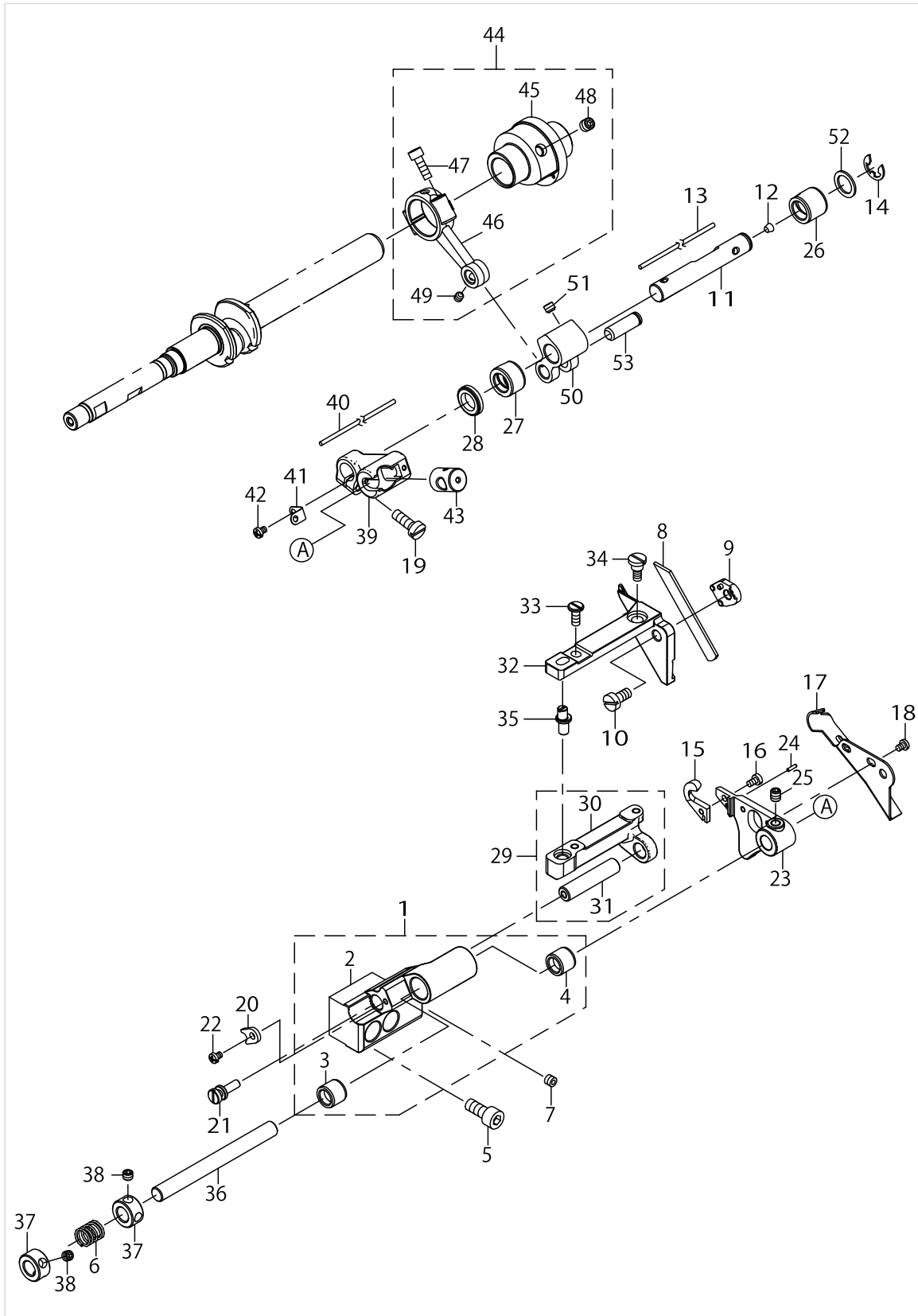
FABRIC TRIMMER RIGHT COMPONENTS



FABRIC TRIMMER RIGHT COMPONENTS

No.	Supply Code	Parts No.	Replacement	Parts name	Remarks	Choice	Step	Level	Cons	Qty	Rep. QTY
1		70003517		TRIMMER_BASE_ASSY						1	
2		70003518		TRIMMER_BASE				*		1	
3		40040613		BUSHING_FABRIC_TRIM_RIGHT				*		1	
4		70004171		BUSHING_FABRIC_TRIM_RIGHT				*		1	
5		SM6061402TP		SCREW M6 L=14						2	
6		40040306		UPPER_KNIFE_SPRING						1	
7		SM8050412TP		SCREW M5 L=4						1	
8		40038091		LOWER_KNIFE						1	
9		40040547		LOWER_KNIFE_PRESSER_PLATE						1	
10		SM6051000SP		SCREW						1	
11		70003506		MOVING_KNIFE_DRIVE_SHAFT						1	
12		TA0400301M0		PLUG D=4X4.5 L=3						1	
13		CQ202000000		COTTON OIL WICK D=2						.11	
14		RE0700000K0		E-RING 7						1	
15		70003483		MOVING_KNIFE						1	
16		SM6030500SN		SCREW M3 L=5						1	
17		70003510		FABRIC_CHIP_GUARD						1	
18		SM4030455SP		SCREW						2	
19		SM6051400SP		SCREW						1	
20		40040535		ADJUST_PLATE						1	
21		40040536		ADJUST_SCREW						1	
22		SM4030455SP		SCREW						1	
23		70003511		MOVING_KNIFE_BASE						1	
24		PH0150065C0		PIN						1	
25		SM8050612TP		SCREW M5X6						1	
26		13334909		BUSHING NDL GUARD A						1	
27		13335005		BUSHING NDL GUARD B						1	
28		13335203		OIL SEAL						1	
29		70003514		FIXED_KNIFE_BASE_ASSY						1	
30		70003515		FIXED_KNIFE_BASE				*		1	
31		70003516		FIXED_KNIFE_BASE_SHAFT				*		1	
32		70003513		LOWER_KNIFE_BASE						1	
33		SM6041050TP		SCREW						1	
34		SD0600406TP		SHOULDER SCREW						1	
35		70003512		ADJUST_PIN						1	
36		70003509		MOVING_KNIFE_SHAFT						1	
37		CS0800881TP		THRUST COLLAR						2	
38		SM8050412TP		SCREW M5 L=4						2	
39		70003508		MOVING_KNIFE_DRIVE_LINK						1	
40		CQ200000001		OIL WICK						.1	
41		70003484		OIL_WICK_PLATE						1	
42		SM4030455SN		SCREW						1	
43		70003507		PIVOT_SHAFT						1	
44		70003494		MOVING_KNIFE_DRIVE_CAM_ASSY						1	
45		70003505		MOVING_KNIFE_DRIVE_CAM				*		1	
46	R	13334107	40018947	NDL GUARD CONN ROD				*		1	1.00

FABRIC TRIMMER RIGHT COMPONENTS



FABRIC TRIMMER RIGHT COMPONENTS

No.	Supply Code	Parts No.	Replacement	Parts name	Remarks	Choice	Step	Level	Cons	Qty	Rep. QTY
47		SM6041202TP		SCREW M4X0.7 L=12				*		2	
48		SM8060612TP		SCREW M6 L=6				*		2	
49		SM8040412TP		SET SCREW M4 L=4				*		1	
50		13334206		NDL GUARD DRIVE LEVER						1	
51		SM8050412TP		SCREW M5 L=4						2	
52		WP1021026SH		WASHER						1	
53		13334305		PIN NDL GUARD						1	

HOW TO MAKE USE OF THIS PARTS LIST

- 1.As to "#01" and "#02" refer to the "Note" given at the bottom of the respective pages.
- 2.Codes on the "Qty" column
 - Each numeral indicates the number of parts required.
 - "0.1" and "2.5" indicate the length (in meters) of the respective parts.
- 3.Parentheses mean that the corresponding part is a subpart that constructs an assembly part.
- 4.Dotted lines on the Figures indicate assembly parts.

1. リストページの# 0 1、# 0 2の印は、ページ下の“注記”の説明を参照下さい。
2. 数量欄の数字は、個数を表し、0. 1、2. 5等の数値は、長さ（単位メートル）を表します。
3. 数量欄の（ ）は、組部品を構成している子部品であることを意味します。
4. イラストページの-----枠は、組構成であることを意味します。

ALL PARTS NOT MENTIONED IN THIS PARTS LIST ARE SAME AS THOSE OF
MODEL MF-7500. OTHER PARTS LIST RELATED TO THIS MODEL.
*MF-7500. (NO.1596 PART NO.70002001)

このパーツリスト記載以外の部品はMF-7500.と共通です。
この機種に関連するパーツリストとして下記のパーツリストがあります。
*MF-7500 (NO.1596 品番70002001)

NUMERICAL INDEX OF PARTS

PART NO	PAGE	REF NO.	PART NO	PAGE	REF NO.	PART NO	PAGE	REF NO.
12341806	2	4	13377601	8	49	70003494	12	44
13101209	4	51	13377700	6	62	70003495	2	33
13302302	2	39	13377700	8	62	70003496	2	36
13302708	2	22	13377809	6	101	70003498	4	47
13303706	2	7	13377809	8	101	70003500	2	17
13303805	2	8	13377809	10	101	70003502	2	12·13
13304308	2	27	13377908	6	50	70003503	2	14·15
13305107	2	21	13377908	8	50	70003505	12	45
13334107	12	46	13378005	6	63	70003506	12	11
13334206	14	50	13378005	8	63	70003507	12	43
13334305	14	53	13378203	6	61	70003508	12	39
13334909	12	26	13378203	8	61	70003509	12	36
13335005	12	27	40008939	4	48	70003510	12	17
13335203	12	28	40008940	4	50	70003511	12	23
13350004	6	1·2	40008947	2	38	70003512	12	35
13350103	6	1·2	40017248	2	5	70003513	12	32
13350301	8	74	40018288	6	11·12	70003514	12	29
13350400	8	69	40018289	8	41·42	70003515	12	30
13356001	6	4·5	40027527	6	59	70003516	12	31
13356209	6	39·72	40027527	8	59	70003517	12	1
13356308	8	39·72	40027528	6	57	70003518	12	2
13358106	6	6·7	40027528	8	57	70003602	8	75~78
13358205	8	73	40038091	12	8	70003603	10	79~82
13376108	6	29·37	40040306	12	6	70003604	10	85
13376207	8	51·68	40040535	12	20	70003605	10	88
13376504	6	47	40040536	12	21	70003606	10	91
13376504	8	47	40040542	2	29	70003607	10	89
13376603	6	48	40040547	12	9	70003609	10	86
13376603	8	48	40040613	12	3	70003610	10	102
13376702	6	95	40058580	6	4·5	70003611	10	100
13376702	8	95	40058582	6	6·7	70003612	10	94
13376702	10	95	40058590	6	29·37	70003613	10	92
13376801	6	98	40058591	6	11·12	70003614	10	97
13376801	8	98	40071738	2	10	70003615	10	84
13376801	10	98	40071739	2	9	70003616	10	83
13377205	6	45	40079714	6	8·9	70003617	8	75~78
13377205	8	45	40079715	6	8·9	70003618	8	79~82
13377304	6	90	40079716	6	40	70003619	8	75~78
13377304	8	90	40099964	8	41·42	70003620	10	79~82
13377304	10	90	40099965	8	51·68	70003621	8	75~78
13377502	6	44	70001414	2	40	70003622	10	79~82
13377502	8	44	70001431	2	37	70003997	2	12·13
13377551	6	43	70001659	2	18	70003999	2	14·15
13377551	8	43	70003483	12	15	70004171	12	4
13377601	6	49	70003484	12	41	CQ20000001	12	40

NUMERICAL INDEX OF PARTS

PART NO	PAGE	REF NO.	PART NO	PAGE	REF NO.
CQ20200000	12	13	SM8030500SP	8	66
CS0800881TP	12	37	SM8040360TP	2	26
MUY128S1000	6	70	SM8040412TP	2	44
MUY128S1000	8	70	SM8040412TP	14	49
NM6030001SD	6	99	SM8050412TP	12	51
NM6030001SD	8	99	SM8050412TP	14	51
NM6030001SD	10	99	SM8050612TP	12	25
PH0150065C0	12	24	SM8060612TP	14	48
PH0300162C0	6	54	TA0400301M0	12	12
PH0300162C0	8	54	TA0850604R0	2	23
PH0500400C0	2	43	TA1050504R0	2	6
PS0150042K0	6	58	WP0320500SC	6	56
PS0150042K0	8	58	WP0320500SC	8	56
RE0300000K0	2	46	WP0531000SC	2	42
RE0700000K0	12	14	WP0550800SP	2	24
SD0600326TP	4	49	WP0621016SD	2	35
SD0600406TP	12	34	WP1021026SH	14	52
SK3412001SE	2	3	WS0510002KP	2	41
SM0041055SP	2	34			
SM1040800SP	2	32			
SM1041400SP	2	1			
SM4030455SN	12	42			
SM4030455SP	6	96			
SM4030455SP	8	96			
SM4030455SP	10	96			
SM4030455SP	12	22			
SM4040655SP	2	45			
SM4041055SP	2	28			
SM4850455SN	10	103			
SM5041055SN	2	11			
SM6030500SN	12	16			
SM6041002TP	2	31			
SM6041050TP	12	33			
SM6041202TP	14	47			
SM6051000SP	12	10			
SM6051400SP	12	19			
SM6061402TP	12	5			
SM6850400SP	6	64			
SM6850400SP	8	64			
SM7040800SL	6	93			
SM7040800SL	8	93			
SM7040800SL	10	93			
SM8030312TP	6	71			
SM8030312TP	8	71			
SM8030500SP	6	66			