

MODEL : LBH-1796A (マーキングライト装置)

List No : 1664-00

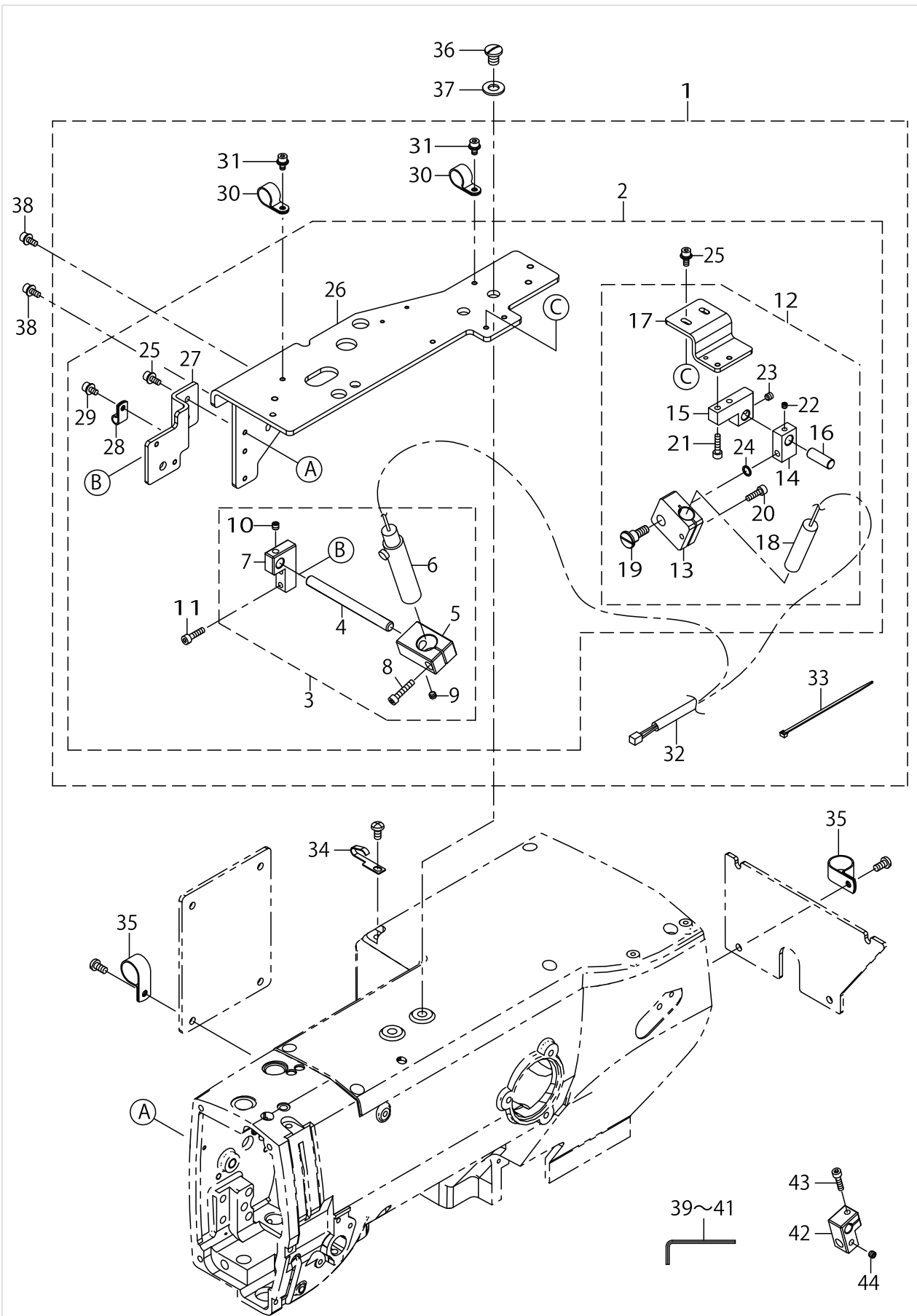
PARTS LIST

Published:05/12/2017

CONTENTS

MARKING LIGHT DEVICE.....	1
HOW TO MAKE USE OF THIS PARTS LIST	3

MARKING LIGHT DEVICE



MARKING LIGHT DEVICE

No.	Supply Code	Parts No.	Replacement	Parts name	Remarks	Choice	Step	Level	Cons	Qty	Rep. QTY
1		40155455		MARKING LIGHT DEVICE ASSY						1	
2		40154438		MARKINGLIGHTASSY				*		1	
3		40154133		LED MARKING LIGHT ASSY				*		1	
4		20104402		HANDLE				*		1	
5		40067813		MARKER_BRACKET				*		1	
6		40090637		LED MARKING				*		1	
7		40091171		MARKER_FIXED_ROD HOLDER				*		1	
8		SM6042002TN		BOLT				*		1	
9		SM8050412TP		SCREW M5 L=4				*		1	
10		SM8050512TP		SCREW				*		1	
11		SM6041602TN		SCREW M4X16				*		2	
12		4015134		LASER MARKING LIGHT ASSY				*		1	
13		40034001		FIXED HOLDER_A				*		1	
14		40034002		FIXED HOLDER_B				*		1	
15		40091171		MARKER_FIXED_ROD HOLDER				*		1	
16		40091173		MARKER_FIXED_SUB_ROD				*		1	
17		40154427		MARKER_BRACKET				*		1	
18		KE000000020		LAMP				*		1	
19		SD0900706TP		SHOULDER SCREW D=9 H=7				*		1	
20		SM6041402TN		SCREW M4X0.7 L=14				*		1	
21		SM6041602TN		SCREW M4X16				*		2	
22		SM80404A2TP		SCREW M4 L=4				*		1	
23		SM8050512TP		SCREW				*		1	
24		WP0650816SP		WASHER				*		1	
25		SL6041092TN		SCREW				*		4	
26		40154425		BASE_PLATE				*		1	
27		40154426		SWITCH_BRACKET				*		1	
28		HX00150000B		CABLE CLIP				*		1	
29		SL6040892TN		BOLT				*		1	
30		HX00150000G		CABLE CLIP				*		2	
31		SL6040892TN		BOLT				*		2	
32		40154436		MARKING LIGHT RE-LAY CORD ASSY				*		1	
33		EA9500B0100		CABLE BAND				*		18	
34		26230409		LUBRICATING OIL WICK STOPPER						1	
35		HX00150000K		CABLE CLIP						2	
36		SS7701010SP		SCREW 5/16-24 L=10						2	
37		WP0841601SE		WASHER						2	
38		SL6041092TN		SCREW						2	
39		J106600000D		HEXAGONAL WRENCH KEY						1	
40		J106600000C		HEXAGONAL WRENCH KEY 2.5						1	
41		GCT02905000		SPANNER						1	
42		40091172		MARKER_FIXED_BLOCK						1	
43		SM6041602TP		SCREW M4X0.7 L=16						1	
44		SM8050412TP		SCREW M5 L=4						1	

HOW TO MAKE USE OF THIS PARTS LIST

1.As to "#01" and "#02" refer to the "Note" given at the bottom of the respective pages.

2.Codes on the "Qty" column

- Each numeral indicates the number of parts required.
- "0.1" and "2.5" indicate the length (in meters) of the respective parts.

3.Parentheses mean that the corresponding part is a subpart that constructs an assembly part.

4.Dotted lines on the Figures indicate assembly parts.

1. リストページの# 0 1、# 0 2の印は、ページ下の"注記"の説明を参照下さい。
2. 数量欄の数字は、個数を表し、0. 1、2. 5等の数値は、長さ（単位メートル）を表します。
3. 数量欄の（ ）は、組部品を構成している子部品であることを意味します。
4. イラストページの-----枠は、組構成であることを意味します。

NUMERICAL INDEX OF PARTS

PART NO	PAGE	REF NO.
20104402	2	4
26230409	2	34
40034001	2	13
40034002	2	14
40067813	2	5
40090637	2	6
40091171	2	15
40091172	2	42
40091173	2	16
4015134	2	12
40154133	2	3
40154425	2	26
40154426	2	27
40154427	2	17
40154436	2	32
40154438	2	2
40155455	2	1
EA9500B0100	2	33
GCT02905000	2	39~41
HX00150000B	2	28
HX00150000G	2	30
HX00150000K	2	35
J106600000C	2	39~41
J106600000D	2	39~41
KE000000020	2	18
SD0900706TP	2	19
SL6040892TN	2	31
SL6041092TN	2	38
SM6041402TN	2	20
SM6041602TN	2	21
SM6041602TP	2	43
SM6042002TN	2	8
SM80404A2TP	2	22
SM8050412TP	2	44
SM8050512TP	2	23
SS7701010SP	2	36
WP0650816SP	2	24
WP0841601SE	2	37