

MODEL : SC-923

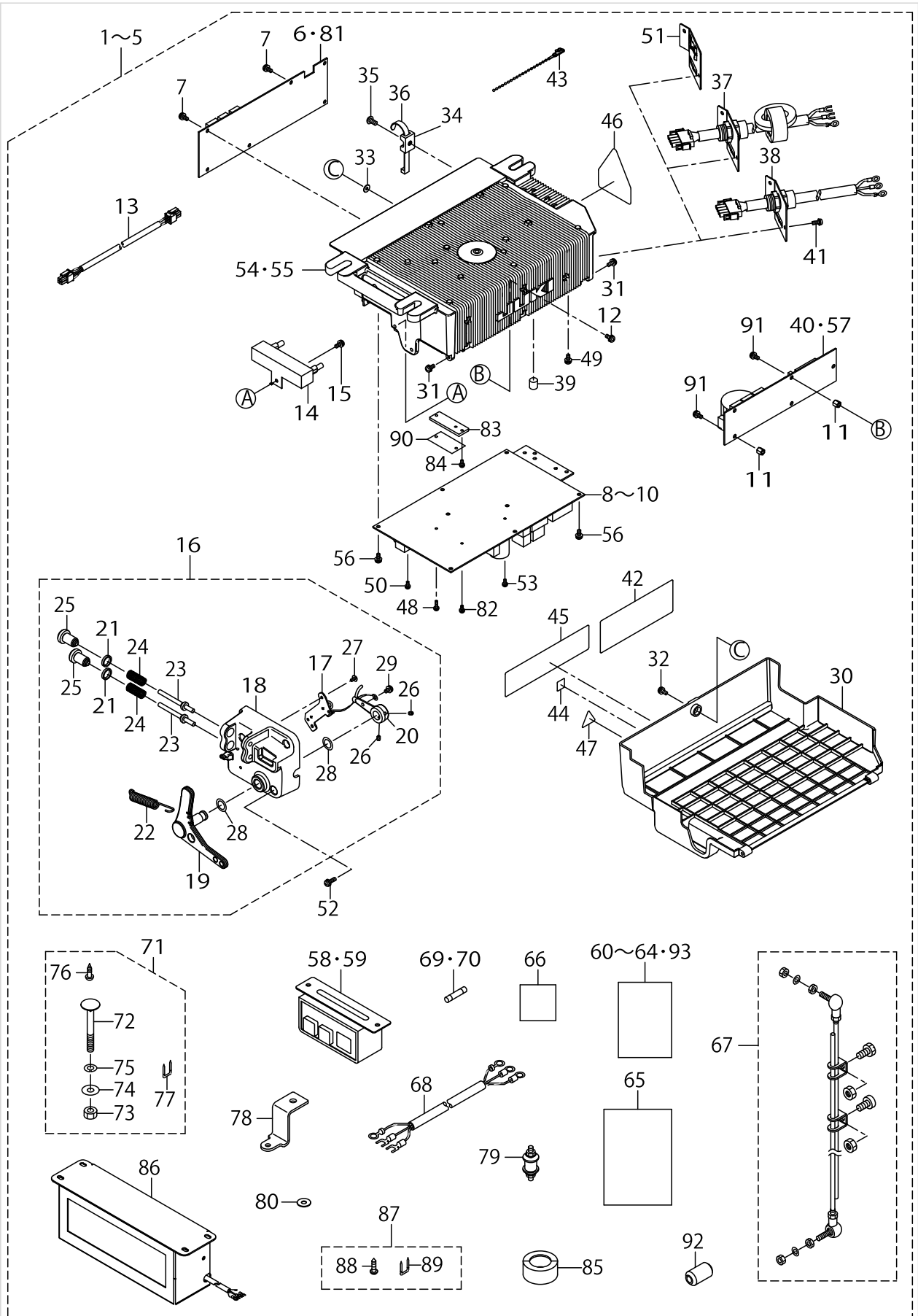
List No : 1687-01

PARTS LIST

Published:05/12/2017

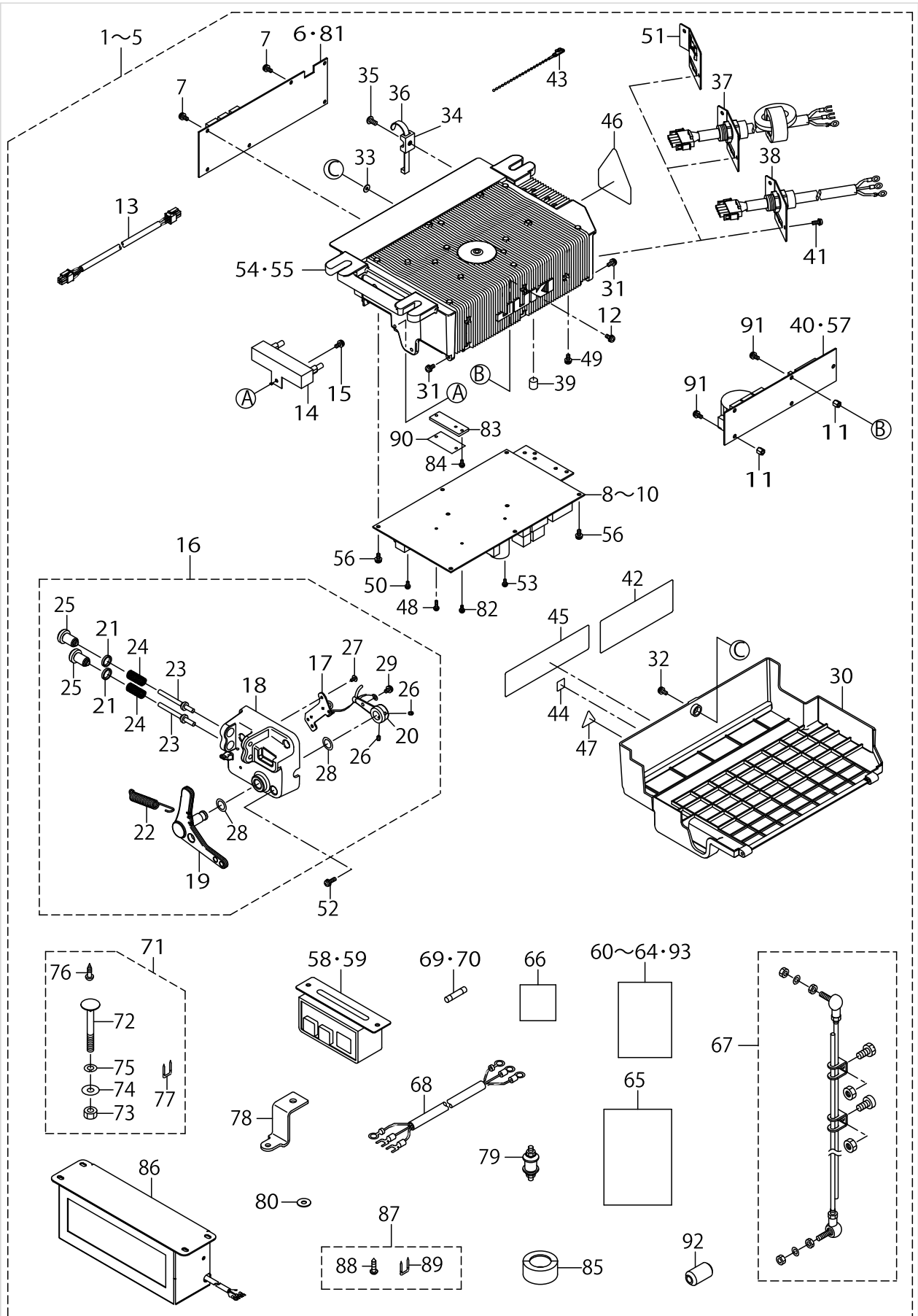
CONTENTS

SC-923.....	1
HOW TO MAKE USE OF THIS PARTS LIST	9



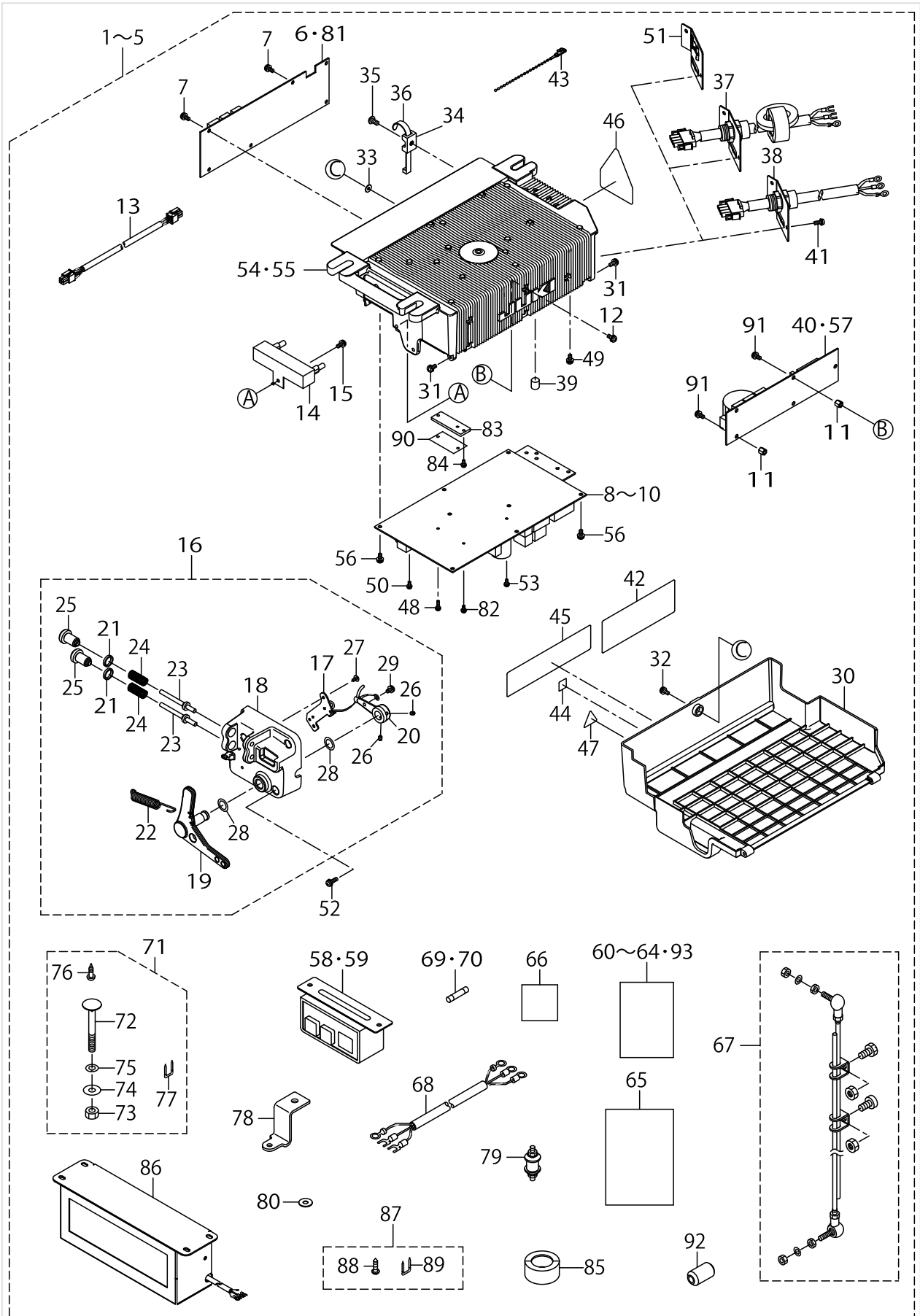
SC-923

No.	Supply Code	Parts No.	Replacement	Parts name	Remarks	Choice	Step	Level	Cons	Qty	Rep. QTY
1		40171470		SC-923 DD 1P 220-- 240V CE PFL NO-OPT	FOR DD 1P 220-240V CE PFL NO-OPT					1	
2		40171472		SC-923 DD 1P 220-- 240V PFL NO-OPT	FOR DD 1P 220-240V PFL NO-OPT					1	
3		40171468		SC-923 DD 3P 200-- 240V PFL NO-OPT	FOR DD 3P 200-240V PFL NO-OPT					1	
4		40171469		SC-923 DD 3P 200-- 240V PFL NO-OPT JA	FOR DD 3P 200-240V PFL NO-OPT JA					1	
5		40171473		SC-923 DD 1P 100-- 120V PFL NO-OPT JA_LA	FOR DD 1P 100-120V PFL NO-OPT JA_LA					1	
6		40171475		CTL PCB ASSY				*		1	
7		SL4041081SC		SCREW M4 L=10				*		6	
8		40171477		PWR-CE PCB ASSY	FOR DD 1P 220-240V CE PFL NO-OPT			*		1	
9		40171478		PWR-S PCB ASSY	FOR DD 1P 220-240V PFL NO-OPT			*		1	
10		40171479		PWR-T PCB ASSY	FOR DD 3P 200-240V PFL NO-O- PT, DD 3P 200-240V PFL NO-O- PT JA, DD 1P 100-12- 0V PFL NO- -OPT JA_LA			*		1	
11		40088311		STUD	FOR DD 1P 220-240V CE PFL N- O-OPT, DD 3P 200-24- 0V PFL NO- -OPT, DD 3P 200-24- 0V PFL NO- -OPT JA DD 1P 100- -120V PFL NO-OPT JA_LA			*		5	
12		SL4041081SC		SCREW M4 L=10	FOR DD 1P 220-240V CE PFL N- O-OPT, DD 3P 200-24- 0V PFL NO- -OPT, DD 3P 200-24- 0V PFL NO- -OPT JA DD 1P 100- -120V PFL NO-OPT JA_LA			*		5	
13		40087153		DC POWER SUPPLY CORD ASSY				*		1	
14		40087154		RESISTANCE A ASSY				*		1	
15		SL4041091SC		SCREW M4 L=10				*		1	
16		40171467		PEDAL SENSOR FG ASSY				*		1	
17		40177066		SENSOR COIL HOLD ASSY				*		1	
18		40042130		PEDAL SENSORBASE				*		1	
19		40087156		PEDAL LEVER A				*		1	
20		40177068		PEDAL LEVER FG				*		1	

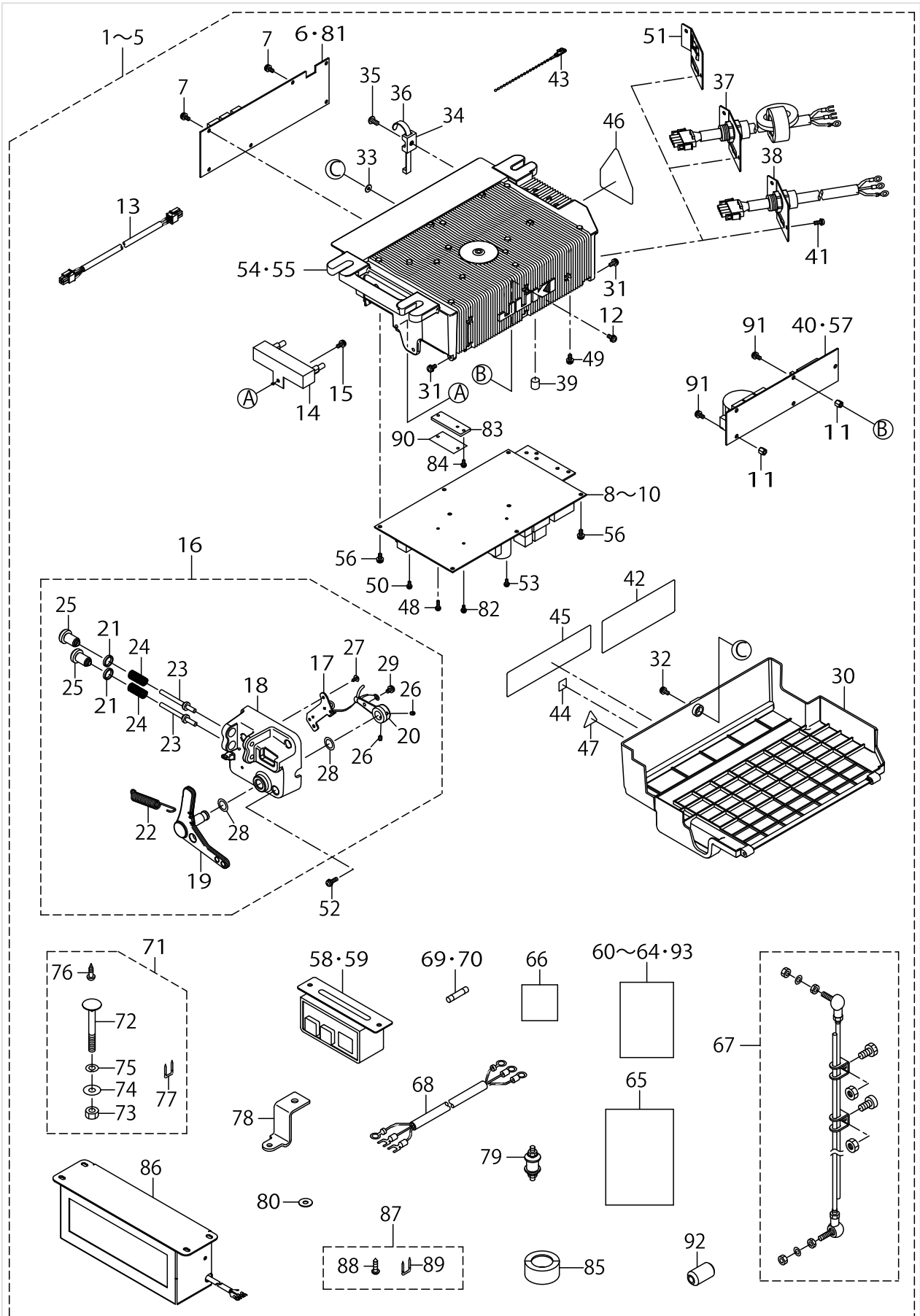


SC-923

No.	Supply Code	Parts No.	Replacement	Parts name	Remarks	Choice	Step	Level	Cons	Qty	Rep. QTY
21		40006202		ADJUST NUT				*		2	
22		40006207		FRONT SPRING				*		1	
23		40006208		SPRING SHAFT A				*		2	
24		40049426		SPRING C				*		2	
25		40006212		ADJUST SCREW				*		2	
26		SM8040612TP		SCREW M4 L=6				*		2	
27		SV4030601SR		SCREW M3 L=6				*		2	
28		40088315		THRUST COLLAR				*		2	
29		SL4040681SC		COMBINATION SCREW M4 X 8				*		1	
30		40087167		UNDER COVER				*		1	
31		40087157		HINGE SCREW				*		2	
32		SL4041681SC		SCREW M4 L=16				*		1	
33		M8002430000		STOPPER				*		1	
34		KX000000210		SADDLE TYPE TIE MOUNT				*		1	
35	R	SM4051001SC	SM4051001SN	SCREW M5 L=10				*		1	1.00
36		KX000000230		RELEASIBLE CABLE TIE				*		1	
37		40130582		POWER SUPPLY PLATE ASSY CE	FOR DD 1P 220-240V CE PFL NO-OPT			*		1	
38		40089563		POWER SUPPLY PLATE ASSY LA	FOR DD 1P 100-120V PFL NO-OPT JA_LA			*		1	
39		40088316		RUBBER CUSHION				*		2	
40		40087139		FLT-T PCB ASSY	FOR DD 3P 200-240V PFL NO-O- PT, DD 3P 200-240V PFL NO-O- PT JA, DD 1P 100-12- 0V PFL NO- -OPT JA_LA			*		1	
41		SL4041081SC		SCREW M4 L=10				*		2	
42		CM300100402		VOLTAGE DANGER LABEL(SMALL)	FOR DD 3P 200-240V PFL NO-O- PT, DD 3P 200-240V PFL NO-O- PT JA, DD 1P 100-12- 0V PFL NO- -OPT JA_LA			*		1	
43		KX000000280		BEAD BAND				*		3	
44		CM600100101		WEEE MARK LABEL S	FOR DD 1P 220-240V CE PFL NO-OPT			*		1	
45		CM300100302		VOLTAGE DANGER LABEL(SMALL)	FOR DD 1P 220-240V CE PFL NO-OPT			*		1	
46		CM300400602		VOLTAGE CAUTION LABEL L=25				*		1	
47		CM300100003		VOLTAGE WARNING LABEL(25)	FOR DD 1P 220-240V PFL NO-OPT			*		1	
48		SL4031281SC		SCREW M3 L=12				*		1	
49		SL4040881SC		SCREW M4 L=8				*		3	
50		SL4030881SC		SCREW M3 L=8				*		1	



No.	Supply Code	Parts No.	Replacement	Parts name	Remarks	Choice	Step	Level	Cons	Qty	Rep. QTY
51		40087168		HOUSING PLATE A	FOR DD 1P 220-240V PFL NO-O- PT, DD 3P 200-240V PFL NO-O- PT, DD 3P 200-240V PFL NO-OPT JA			*		1	
52		SL4041491SC		SCREW 4 L=14				*		3	
53		SL4030881SC		SCREW M3 L=8	FOR DD 1P 220-240V PFL NO-OPT			*		1	
54	D	40087166		FRAME B	FOR DD 1P 220-240V CE PFL N- O-OPT, DD 3P 200-24- 0V PFL NO- -OPT, DD 3P 200-24- 0V PFL NO- -OPT JA DD 1P 100- -120V PFL NO-OPT JA,LA			*		1	
55	D	40087165		FRAME A	FOR DD 1P 220-240V PFL NO-OPT			*		1	
56		SL4041081SC		SCREW M4 L=10				*		10	
57		40162977		FLT-CE PCB ASSY	FOR DD 1P 220-240V CE PFL NO-OPT			*		1	
58		40102693		AC POWER SUPPLY CORD C	FOR DD 1P 220-240V PFL NO-OPT			*		1	
59		40102979		AC POWER SUPPLY CORD F	FOR DD 3P 200-240V PFL NO-OPT JA			*		1	
60		40171457		INSTRUCTION MANUAL 4L				*		1	
61		40171456		SAFETY INSTRUCTION MANUAL	FOR DD 1P 220-240V CE PFL NO-OPT			*		1	
62		40171446		EC DECLARATION (BOX)	FOR DD 1P 220-240V CE PFL NO-OPT			*		1	
63		40171459		MACHINE HEAD LIST				*		1	
64		40171460		SC-923 PARTS LIST				*		1	
65		CM600100201		WEEE INFORMATION SHEET	FOR DD 1P 220-240V CE PFL NO-OPT			*		1	
66		40171458		INSTRUCTION MANUAL CD 9L	FOR DD 1P 220-240V CE PFL NO-OPT			*		1	
67		40088314		CONNECING ROD ASSY				*		1	
68		M6102461DAA		AC INPUT CABLE ASM.(CE)	FOR DD 1P 220-240V CE PFL NO-OPT			*		1	
69		KF000000080		SLO-BLO FUSE				*		1	
70		KF000000030		SLO-BLO FUSE				*		1	
71	R	M4401471AA0	SK3512001SE	BOX ACCESSORIE PART A ASM.		A		*		1	2.00
71	R	M4401471AA0	WS0820002KR	BOX ACCESSORIE PART A ASM.		A		*		1	3.00
71	R	M4401471AA0	NM6080002SC	BOX ACCESSORIE PART A ASM.		A		*		1	3.00
71	R	M4401471AA0	MAO11532000	BOX ACCESSORIE PART A ASM.		A		*		1	5.00
71	R	M4401471AA0	MTSHJ100003	BOX ACCESSORIE PART A ASM.		A		*		1	3.00



SC-923

No.	Supply Code	Parts No.	Replacement	Parts name	Remarks	Choice	Step	Level	Cons	Qty	Rep. QTY
71	R	M4401471AA0	WP0851846SC	BOX ACCESSORIE PART A ASM.		A		*		1	3.00
72		MTSHJ100003		BOLT				*		3	
73		NM6080002SC		NUT M8				*		3	
74		WP0851846SC		WASHER 8.5X22.0X1.8				*		3	
75		WS0820002KR		SPRING WASHER M8				*		3	
76		SK3512001SE		WOOD SCREW D=5.1 L=20				*		2	
77		MAO11532000		CORD STAPLE				*		5	
78		40074444		CONTROL BOX BRACKET				*		3	
79		40084716		RUBBER MOUNTING				*		3	
80		WP0621036SP		WASHER				*		3	
81		40171476		CTL_PCB_ASSY_CE	FOR DD 1P 220-240V CE PFL NO-OPT			*		1	
82		SL4030881SC		SCREW M3 L=8				*		1	
83		40171497		IPM HEAT SINK				*		1	
84		SL4030881SC		SCREW M3 L=8				*		1	
85		HN002460000		CORE				*		2	
86		40161412		REACTOR BOX ASSY 1P	FOR DD 1P 220-240V CE PFL NO-OPT			*		1	
87		40162979		REACTOR BOX ACCESSORY	FOR DD 1P 220-240V CE PFL NO-OPT			*		1	
88		SK3512001SE		WOOD SCREW D=5.1 L=20	FOR DD 1P 220-240V CE PFL NO-OPT			*		4	
89		MAO11532000		CORD STAPLE	FOR DD 1P 220-240V CE PFL NO-OPT			*		4	
90		40176444		IPM HEAT SHEET				*		1	
91		SL4040681SC		COMBINATION SCREW M4X6	FOR DD 1P 220-240V CE PFL N- O-OPT, DD 3P 200-24- 0V PFL NO- -OPT, DD 3P 200-24- 0V PFL NO- -OPT JA DD 1P 100- -120V PFL NO-OPT JA_LA			*		5	
92		HN002840000		CORES				*		2	
93		40181149		CORE SET UP MANUAL (SC-923)				*		1	

HOW TO MAKE USE OF THIS PARTS LIST

1.As to "#01" and "#02" refer to the "Note" given at the bottom of the respective pages.

2.Codes on the "Qty" column

- Each numeral indicates the number of parts required.
- "0.1" and "2.5" indicate the length (in meters) of the respective parts.

3.Parentheses mean that the corresponding part is a subpart that constructs an assembly part.

4.Dotted lines on the Figures indicate assembly parts.

1. リストページの# 0 1、# 0 2の印は、ページ下の"注記"の説明を参照下さい。
2. 数量欄の数字は、個数を表し、0. 1、2. 5等の数値は、長さ（単位メートル）を表します。
3. 数量欄の（ ）は、組部品を構成している子部品であることを意味します。
4. イラストページの-----枠は、組構成であることを意味します。

NUMERICAL INDEX OF PARTS

PART NO	PAGE	REF NO.	PART NO	PAGE	REF NO.	PART NO	PAGE	REF NO.
40006202	4	21	40171477	2	8~10	SV4030601SR	4	27
40006207	4	22	40171478	2	8~10	WP0621036SP	8	80
40006208	4	23	40171479	2	8~10	WP0851846SC	8	74
40006212	4	25	40171497	8	83	WS0820002KR	8	75
40042130	2	18	40176444	8	90			
40049426	4	24	40177066	2	17			
40074444	8	78	40177068	2	20			
40084716	8	79	40181149	8	60~ 64·93			
40087139	4	40·57	CM300100003	4	47			
40087153	2	13	CM300100302	4	45			
40087154	2	14	CM300100402	4	42			
40087156	2	19	CM300400602	4	46			
40087157	4	31	CM600100101	4	44			
40087165	6	54·55	CM600100201	6	65			
40087166	6	54·55	HN002460000	8	85			
40087167	4	30	HN002840000	8	92			
40087168	6	51	KF000000030	6	69·70			
40088311	2	11	KF000000080	6	69·70			
40088314	6	67	KX000000210	4	34			
40088315	4	28	KX000000230	4	36			
40088316	4	39	KX000000280	4	43			
40089563	4	38	M4401471AA0	6	71			
40102693	6	58·59	M4401471AA0	8	71			
40102979	6	58·59	M6102461DAA	6	68			
40130582	4	37	M8002430000	4	33			
40161412	8	86	MAO11532000	8	89			
40162977	6	40·57	MTSHJ100003	8	72			
40162979	8	87	NM6080002SC	8	73			
40171446	6	60~ 64·93	SK3512001SE	8	88			
40171456	6	60~ 64·93	SL4030881SC	4	84			
40171457	6	60~ 64·93	SL4030881SC	6	84			
40171458	6	66	SL4030881SC	8	84			
40171459	6	60~ 64·93	SL4031281SC	4	48			
40171460	6	60~ 64·93	SL4040681SC	4	91			
40171467	2	16	SL4040681SC	8	91			
40171468	2	1~5	SL4040881SC	4	49			
40171469	2	1~5	SL4041081SC	2	56			
40171470	2	1~5	SL4041081SC	4	56			
40171472	2	1~5	SL4041091SC	6	56			
40171473	2	1~5	SL4041091SC	2	15			
40171475	2	6·81	SL4041491SC	6	52			
40171476	8	6·81	SL4041681SC	4	32			
			SM4051001SC	4	35			
			SM8040612TP	4	26			