

MODEL : MO-644D

List No : 6007-01

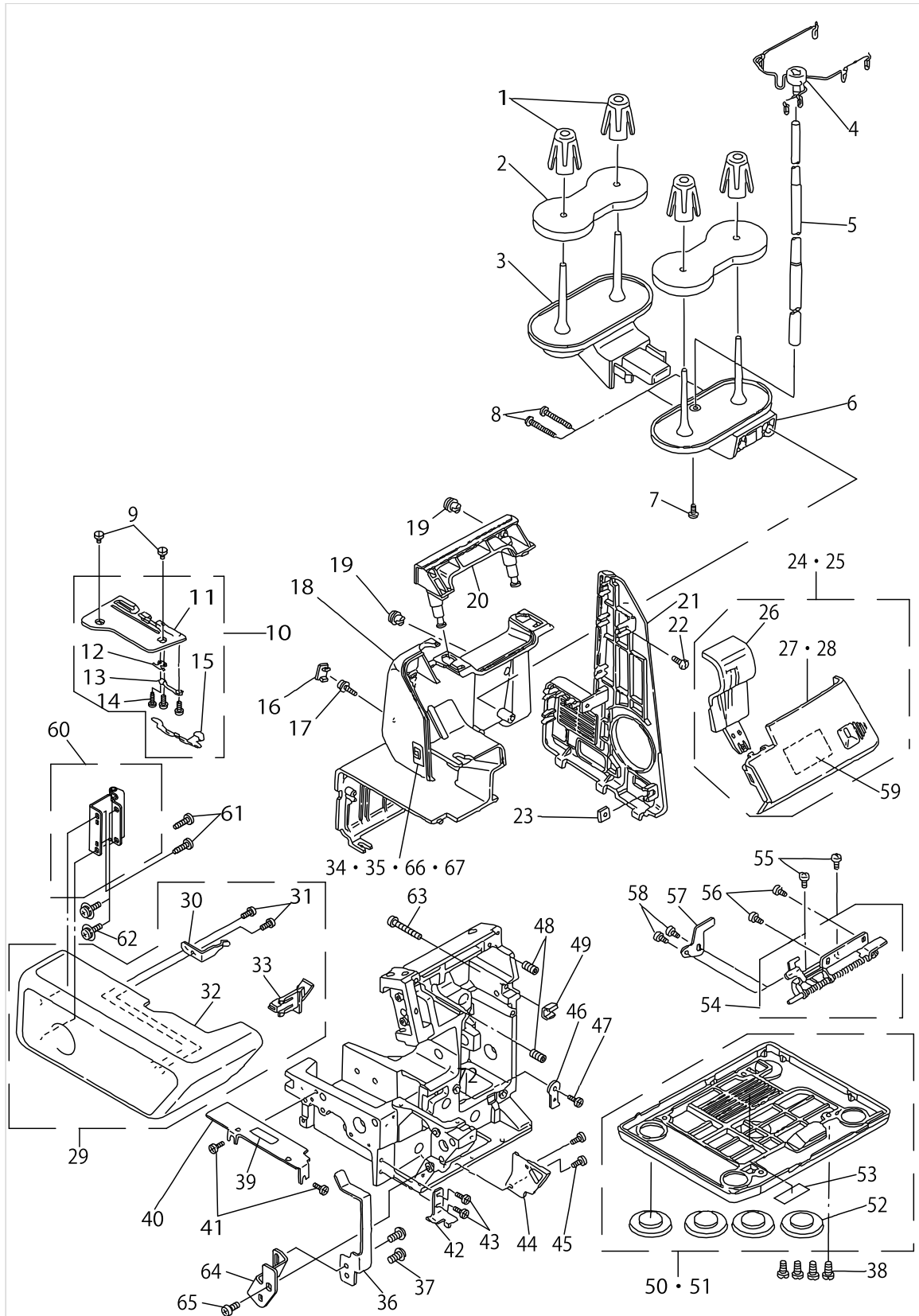
PARTS LIST

Published:05/12/2017

CONTENTS

FRAME COMPONENTS	1
MAIN SHAFT COMPONENTS	5
NEEDLE BAR & PRESSER FOOT COMPONENTS.....	7
FEED MECHANISM COMPONENTS.....	9
LOOPER DRIVE COMPONENTS	13
KNIFE COMPONENTS.....	17
THEREAD TENSION COMPONENTS	19
LAMP & MOTOR CONTROLLER COMPONENTS.....	21
ACCESSORIES PARTS COMPONENTS	23
HOW TO MAKE USE OF THIS PARTS LIST	25

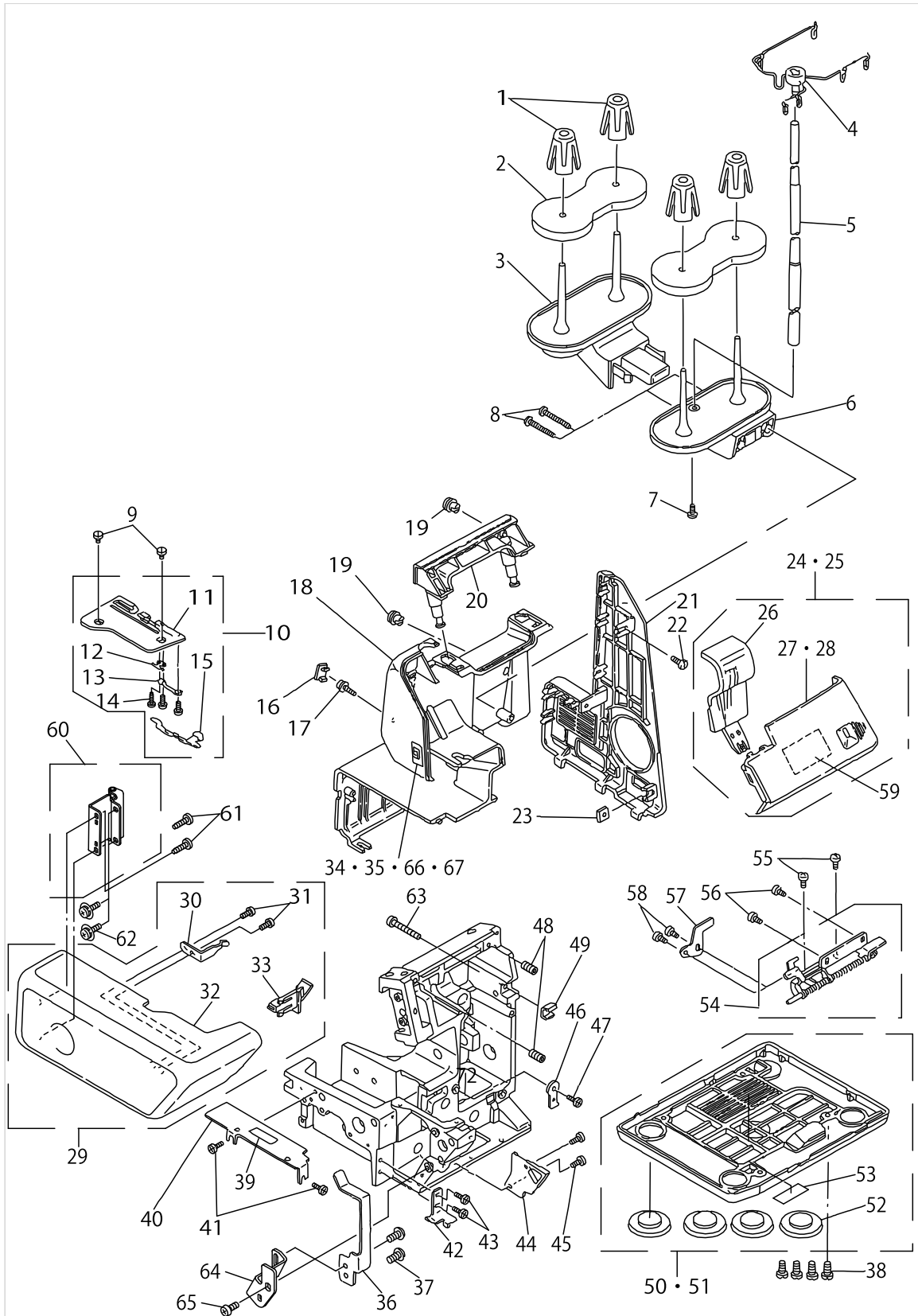
FRAME COMPONENTS



FRAME COMPONENTS

No.	Supply Code	Parts No.	Replacement	Parts name	Remarks	Choice	Step	Level	Cons	Qty	Rep. QTY
1		A1120202000		SPOOL RETAINER						4	
2		A1121202000		SPOOL REST CUSHION						2	
3		A1119644000A		SPOOL HOLDER(B)						1	
4		A11206440A0		THREAD GUIDE ASM.						1	
5	R	A1120334000	40082787	SUPPORTING ROD						1	1.00
6		A1118644000A		SPOOL HOLDER(A)						1	
7		SM5051255SN		SCREW						1	
8		SM5043755SC		SCREW						2	
9		A1138335000		THROAT PLATE SETSCREW						2	
10		A11153340B0A		THROAT PLATE CPL.						1	
11		A11153340A0		THROAT PLATE ASM.				*		1	
12		A1131203000		SPRING				*		1	
13		A1132334000		THREAD SLIP GUIDE				*		1	
14		SM4020351SC		SCREW				*		3	
15		A1136314DA0A		THROAT PLATE TH- READ SLIP ASM.				*		1	
16		A1146644000		COVER CAP(B)						1	
17		SL5031031SN		SCREW						1	
18	D	A1106644000		REAR COVER W. RE- FLECTING SEAL						1	
19		A1124644000		COVER CAP(A)						2	
20		A1145644000		HANDLE						1	
21	R	A1103644000A	A1103S10000	SIDE COVER						1	1.00
22	D	SL4040831SF		SCREW M4 L=8						1	
23		A3151535000		FRONT COVER NUT						1	
24	R	A115164D0A0B	A115164DBA0B	LOOP.COVER ASM.(UL/CSA)						1	1.00
25		A115164DBA0B		LOOP.COVER ASM.(- VDE/SAA/SAUDI)						1	
26		A1152644000B		CHIP GUARD COVER				*		1	
27		A115164DA00A		LOOPER COVER				*		1	
28		A115164DB00A		LOOPER COVER				*		1	
29		A110464D0A0A		CLOTH PLATE ASM- (ADJUST HOLE)						1	
30		A1160634000		CLOTH PLATE OPENING SPRING				*		1	
31		ST5041051SN		TAPING SCREW				*		2	
32		A110464D000A		CLOTH PLATE				*		1	
33		A1104644A00A		CLOTHPLATECOVER				*		1	
34		A3123644B00		NEEDLE FIXATION LABEL(VDE/SAA)						1	
35		A3123644C00		NEEDLE FIXATION LABEL(SAUDI)						1	
36		A2535534000A		NEEDLE SUPPORT						1	
37		SM4030455SP		SCREW						2	
38		SM5051255SN		SCREW						4	
39		A9196524000		CAUTION LABEL(UL/CSA)						1	
40		A1135535000		UPPER COVER						1	
41		SM5040855SN		SCREW						2	
42		A1164535000		CLOTH PLATE PRESSER PLATE						1	
43		SM5040855SN		SCREW						2	
44		A1156644000		LOOPER COVER GUIDE						1	

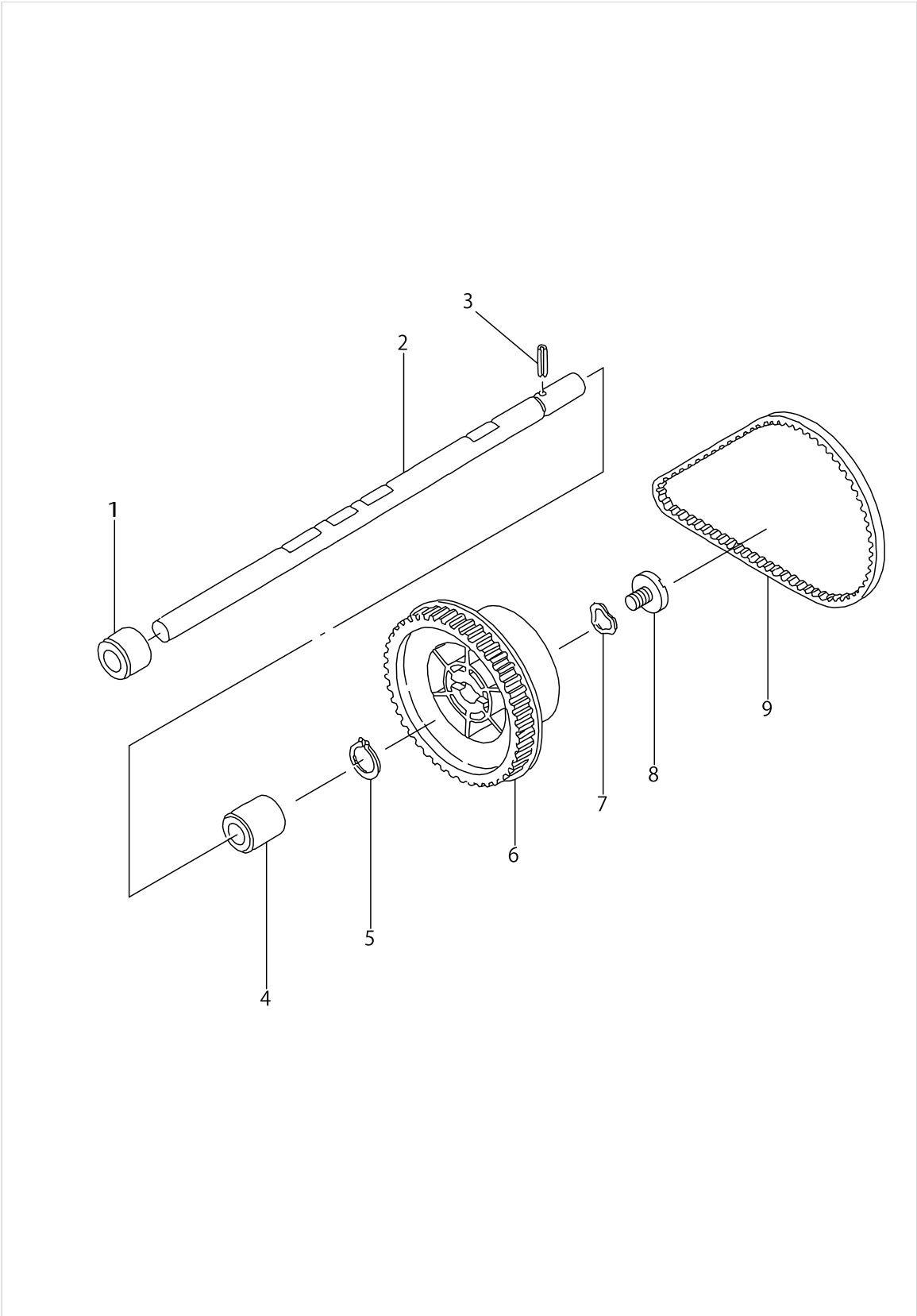
FRAME COMPONENTS



FRAME COMPONENTS

No.	Supply Code	Parts No.	Replacement	Parts name	Remarks	Choice	Step	Level	Cons	Qty	Rep. QTY
45		SM4040855SN		SCREW						2	
46		A3161634000		FRONT COVER INS-TALLATION PLATE						1	
47		SM4040655SN		SCREW M4X0.7 L=6						1	
48		SM8050842TP		SETSCREW						2	
49		A3150535000		FRONT COVER ASM. PLATE						1	
50	D	A11026440A0		BASE PLATE ASM.						1	
51		A1102644AA0		BASE PLATE ASM.(SAUDI)						1	
52		A1123535000		SUCTION FEET				*		4	
53		A6051634000		SEAL(SAUDI)				*		1	
54	R	A11536440A0	A11536300A0	LOOPER COVER HINGE ASM.						1	1.00
55		SM5040855SN		SCREW						2	
56		ST5041051SN		TAPING SCREW						2	
57		A1169634000		CHIP GUARD COVER PLATE						1	
58		SM4850455SN		SCREW						2	
59		A1190644000		THREADING CHART						1	
60		A11615350A0		CLOTH PLATE HINGE ASM.						1	
61		ST5041051SN		SCREW						2	
62		SL5040865SN		SCREW						2	
63		SM5032555SE		SCREW M3 L=25						1	
64		A2536524000		NEEDLE SUPPORT PLATE						1	
65		SM5040655SN		SCREW						1	
66		A3123644A00A		NEEDLE FIXATION LABEL(UL/GSA)						1	
67		40080432		NEEDLE_SETTING_LABEL_(KOR)						1	

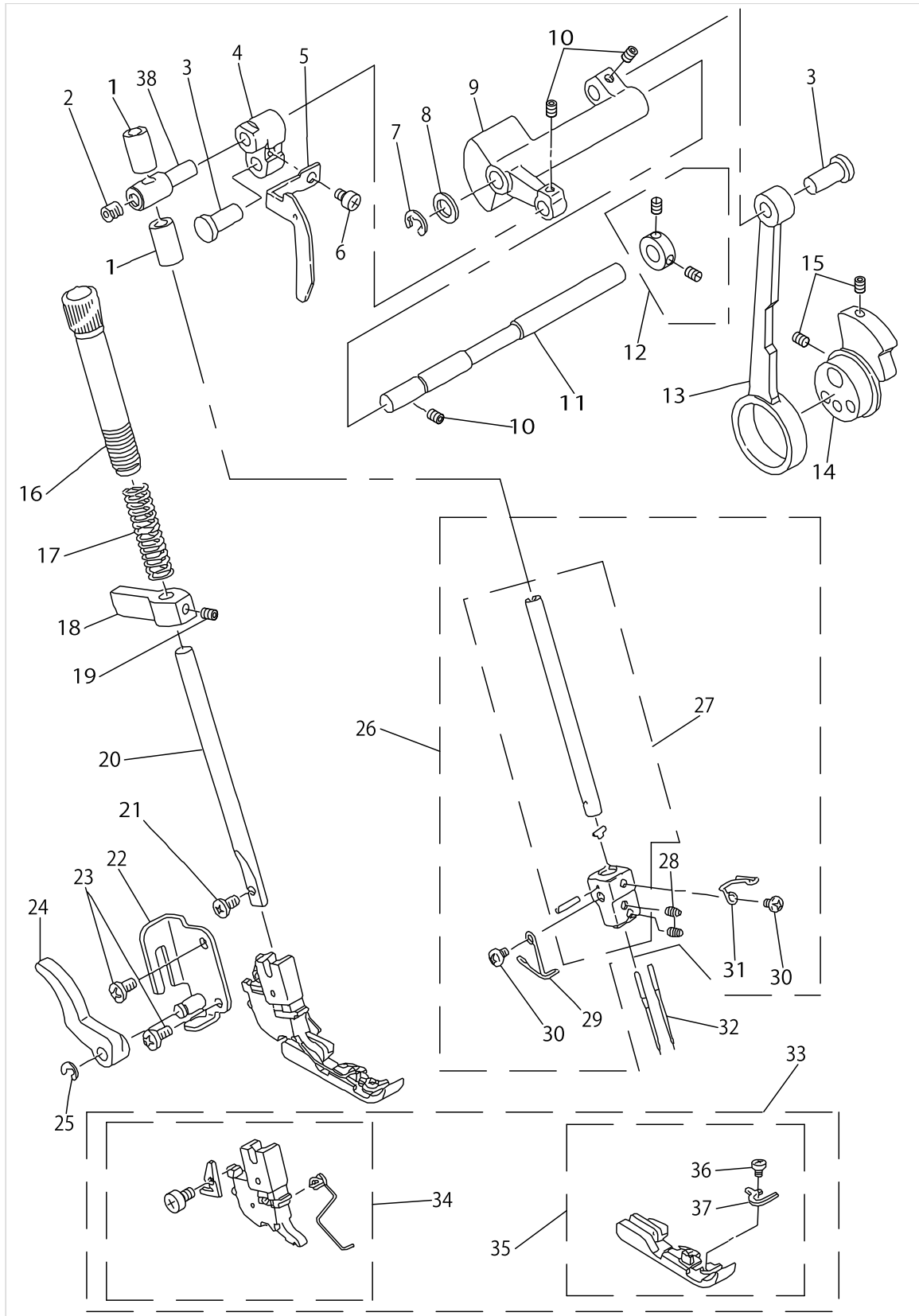
MAIN SHAFT COMPONENTS



MAIN SHAFT COMPONENTS

No.	Supply Code	Parts No.	Replacement	Parts name	Remarks	Choice	Step	Level	Cons	Qty	Rep. QTY
1		A1206335000		MAIN SHAFT BUSHING FRONT						1	
2	R	A120153500A	40071772	MAIN SHAFT						1	1.00
3		PS0400222KH		PIN						1	
4		A1206202000		MAIN SHAFT BUSHING						1	
5		A1206102000		C RING						1	
6	R	A1202644000	A1202113000	HANDWHEEL						1	1.00
7		A1206535000		HANDWHEEL WASHER						1	
8		A1230500000A		HANDWHEEL SETSCREW						1	
9		A1205634000		TIMING BELT						1	

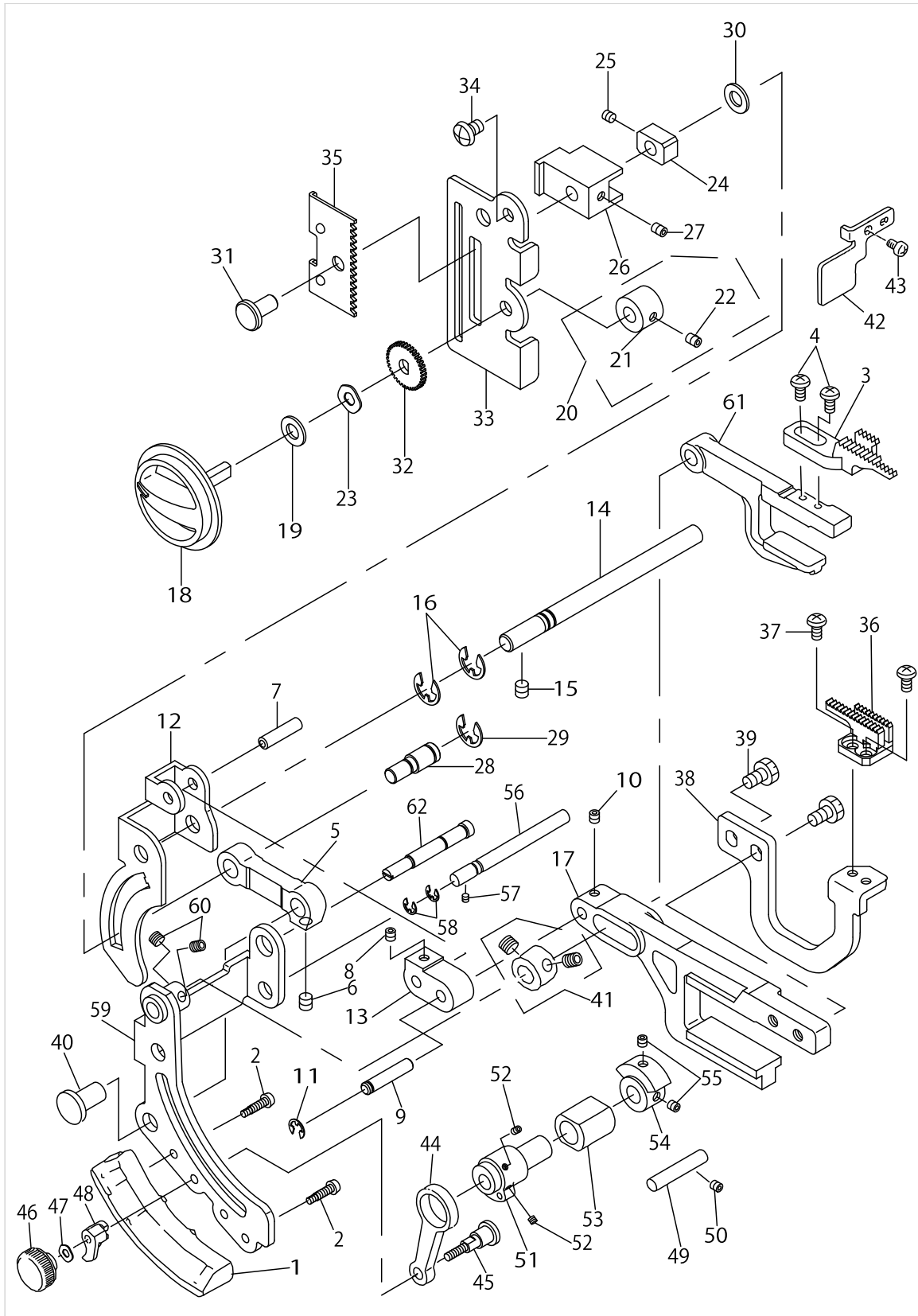
NEEDLE BAR & PRESSER FOOT COMPONENTS



NEEDLE BAR & PRESSER FOOT COMPONENTS

No.	Supply Code	Parts No.	Replacement	Parts name	Remarks	Choice	Step	Level	Cons	Qty	Rep. QTY
1		A1407102000		NEEDLE BAR BUSHING						2	
2		SM8060602TP		SCREW						1	
3		A1403102000		CONNECTING PIN						2	
4		A1412535000		NEEDLE BAR LINK						1	
5		A1413613000		NEEDLE THREAD TKAE-UP						1	
6		SM4040655SN		SCREW						1	
7		RE0600000K0		E-SHAPED SNAP RING						1	
8		WP0820516SP		WASHER						1	
9		A1402535000		NEEDLE BAR CRANK						1	
10		SM8040402TP		SCREW						3	
11		A1404535000		NEEDLE BAR DRIVING SHAFT						1	
12		A14145020A0		THRUST COLLAR ASM.						1	
13		A1403335000A		NEEDLE BAR CRANK ROD						1	
14		A1401535000A		NEEDLE BAR DRIVING CAM						1	
15		SM8050602TP		SCREW						2	
16		A1503634000		PRESSER FOOT ADJ. SCREW						1	
17		A1501535000		PRESSER SPRING						1	
18		A1502535000		PRESSER BAR GUIDE BRACKET						1	
19		SM8050402TP		SCREW						1	
20		A1507535000		PRESSER BAR						1	
21		SM5040855SN		SCREW						1	
22		A15045350A0		LIFTING LEVER SET PLATE ASM.						1	
23		SM5040855SN		SCREW						2	
24		A1506644000		LIFTING LEVER						1	
25		RE0500000K0		E-RING						1	
26		A14066340B0		NEEDLE BAR MAS. ASM.						1	
27		A14066340A0		NEEDLE BAR ASM.				*		1	
28		A1416777000		NEEDLE SCREW				*		2	
29		A1410634000		NEEDLE BAR THREAD GUIDE(B)				*		1	
30		SM5030455SN		SCREW				*		2	
31		A1409634000		NEEDLE BAR THREAD GUIDE(A)				*		1	
32		MHA100B1100		NEEDLE HAX1 #11						2	
33	R	A15016440C0	A15016440C0A	PRESSER FOOT MAS. ASM.						1	1.00
34		A15145350B0		PRESSER FOOT SHANK ASM.				*		1	
35		A15016340B0		PRESSER FOOT				*		1	
36		SM4030301SC		SCREW				*		1	
37		A1550634000		TAPE GUIDE PLATE				*		1	
38		A1411335000		CLOTH PLATE FIXING SPRING						1	

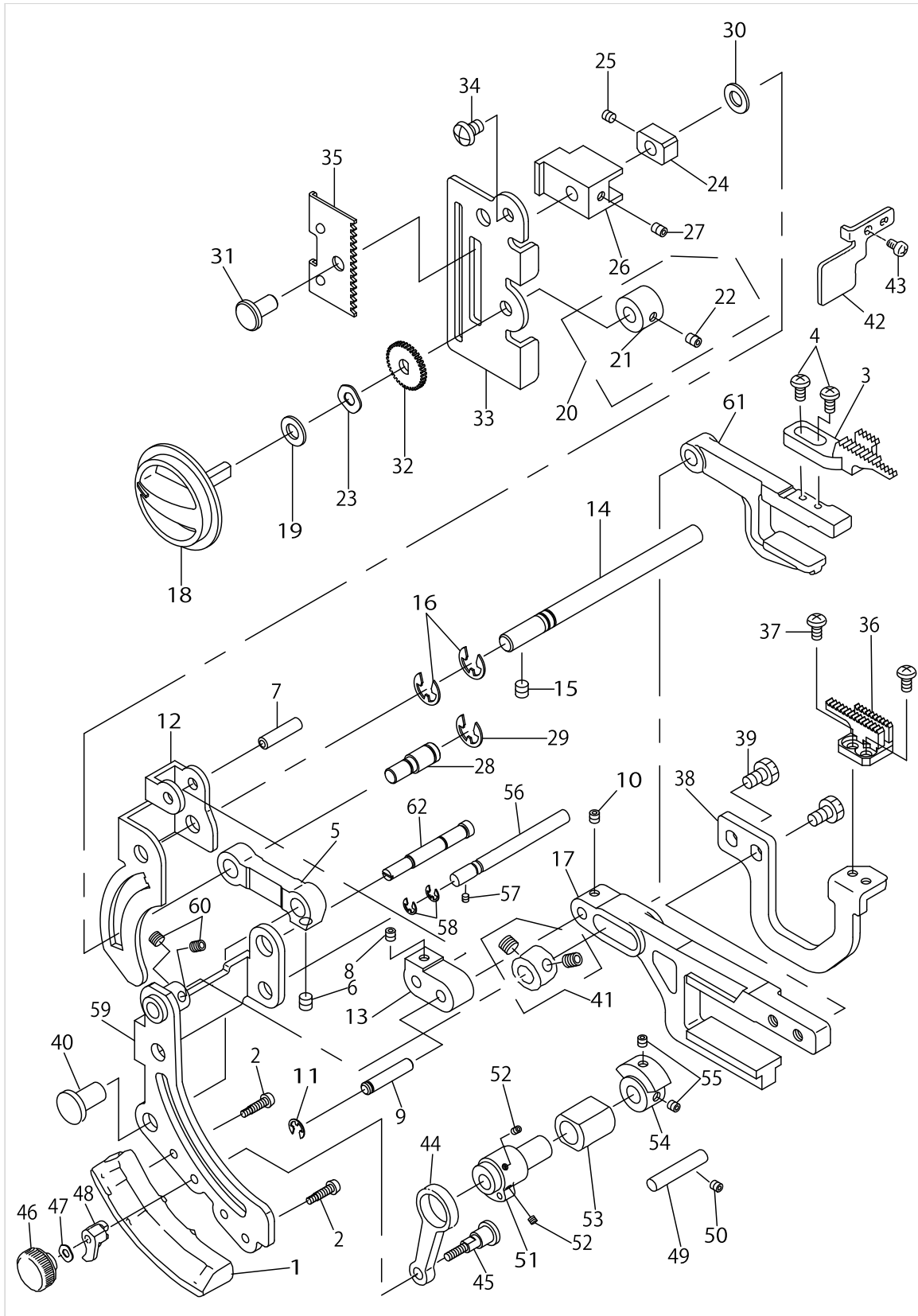
FEED MECHANISM COMPONENTS



FEED MECHANISM COMPONENTS

No.	Supply Code	Parts No.	Replacement	Parts name	Remarks	Choice	Step	Level	Cons	Qty	Rep. QTY
1		A1628535000A		FEED ADJUSTING SCALE						1	
2		ST4861051SN		TAPING SCREW						2	
3		A1627634D00		MAIN FEED DOG						1	
4		SM4030655SP		SCREW						2	
5		A1631535000		DIF FEED LINK						1	
6		SM8040402TP		SCREW						1	
7		A1634535000		DIF FEED ARM SHAFT						1	
8		SM8030302TP		SCREW						1	
9		A1635535000		SHAFT						1	
10		SM8030302TP		SCREW						1	
11		RE0300000K0		E-SHAPED SNAP RING						1	
12		A1636535000A		DIF FEED ARM						1	
13		A1637535000		DIF FEED LINK						1	
14		A163752D000		DIF FEED SHAFT						1	
15		SM8040402TP		SCREW						1	
16		RE0500000K0		E-RING						2	
17		A1639535000		DIF FEED BASE ARM						1	
18		A160264D000A		DIF FEED REGULATING DIAL						1	
19		WP0531000SC		WASHER						1	
20		A16168800A0		THRUST COLLAR ASM.						1	
21		A1616880000		THRUST COLLAR				*		1	
22		SM8030302TP		SCREW				*		1	
23		WZ0540200KH		WASHER						1	
24		A1638776000		DIF FEED BLOK						1	
25		SM8030302TP		SCREW						1	
26		A165152D000		DIF FEED BLOK GUIDE						1	
27		SM8030402TP		SCREW						1	
28		A167052D000		DIF SUPPOTING SHAFT						1	
29		RE0500000K0		E-RING						1	
30		WP0531000SC		WASHER						1	
31		A167152D000		BLOK GUIDE SHAFT						1	
32		A167352D000		DIF FEED GEAR						1	
33		A167452D000		DIF FEED PLATE						1	
34		SM5040655SN		SCREW						1	
35		A167552D0A0		DIF FEED RACK ASM.						1	
36	R	A1642534D00	A1642534D0C	DIF FEED DOG						1	1.00
37		SM4030655SP		SCREW						2	
38		A1648535000		SUPPORT BRACKET						1	
39		SM9040700SP		HEXAGONAL BOLT						2	
40		A1620335000		DIF FEED LINK SHAFT						1	
41		A16055500A0A		THRUST COLLAR						1	
42		A1613535000		FEED BASE GUIDE						1	
43		SM4040655SN		SCREW						1	
44		A1616535000		HORIZONTAL FEED RINK						1	
45		A1651535000		MAIN FEED ADJUSTING SHAFT						1	
46		A1650534000		MAIN FEED ADJUSTING KNOB						1	

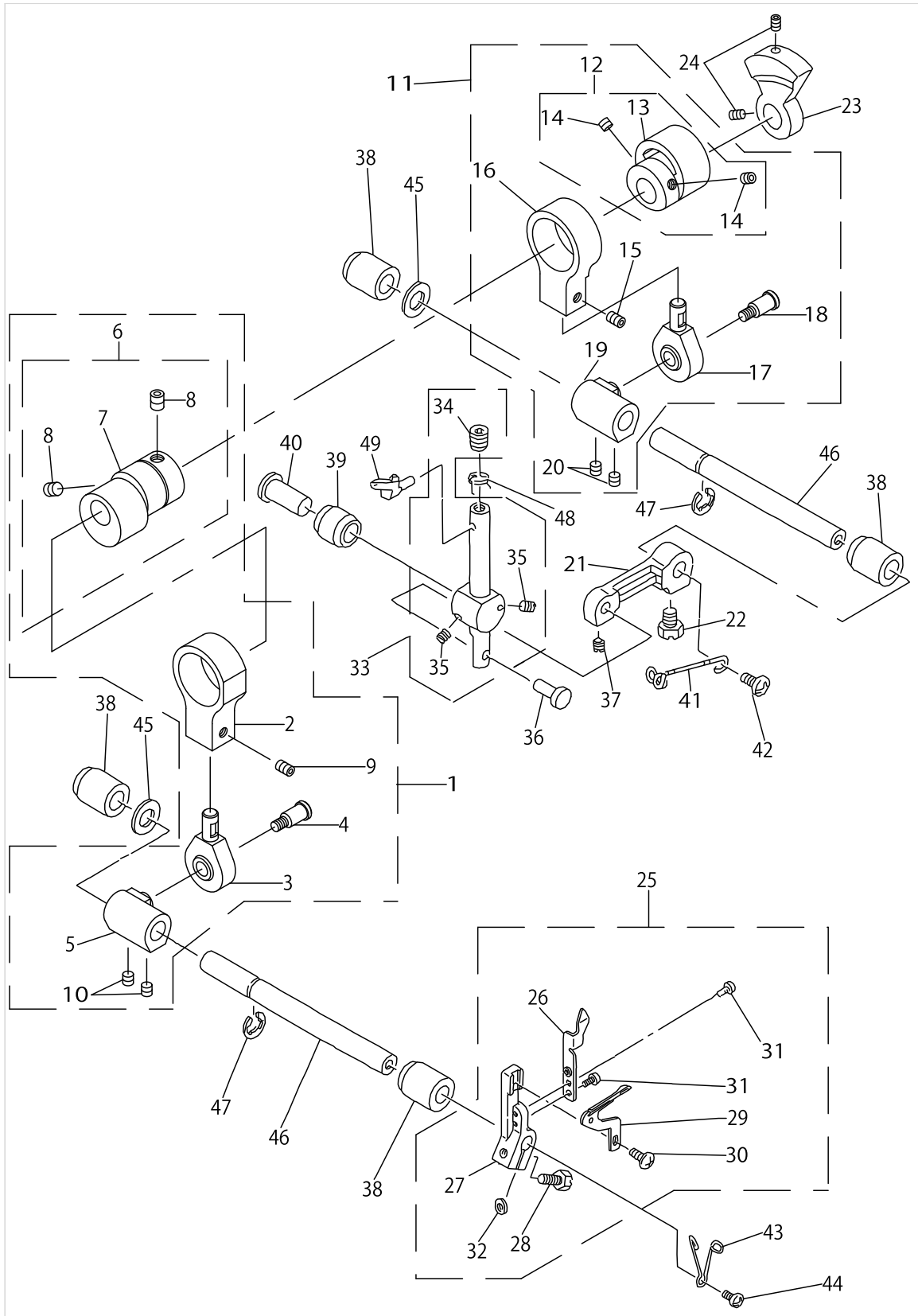
FEED MECHANISM COMPONENTS



FEED MECHANISM COMPONENTS

No.	Supply Code	Parts No.	Replacement	Parts name	Remarks	Choice	Step	Level	Cons	Qty	Rep. QTY
47		WZ0430200KP		WASHER						1	
48		A1652535000		MAIN FEED POINTER						1	
49		A1612535000		FEED BASE GUIDE ROD						1	
50		SM8040402TP		SCREW						1	
51		A1617534000A		VERTICAL HORIZONTAL FEED CAM						1	
52		SM8040602TP		SCREW						2	
53		A1630535000		VERTICAL FEED ADS.						1	
54		A1207503000		BALANCE WEIGHT						1	
55		SM8040602TP		SCREW						2	
56		A1622535000		HORIZONTAL FEED SHAFT						1	
57		SM8040402TP		SCREW						1	
58		RE0500000K0		HORIZONTAL FEED SHAFT E-RING						2	
59		A16235350A0		FEEDBASE ARM ASM.						1	
60		SM8040302TP		SCREW						2	
61		A1625535000		FEED BASE						1	
62		A1626535000A		FEED BASE SUPPORTING SHAFT						1	

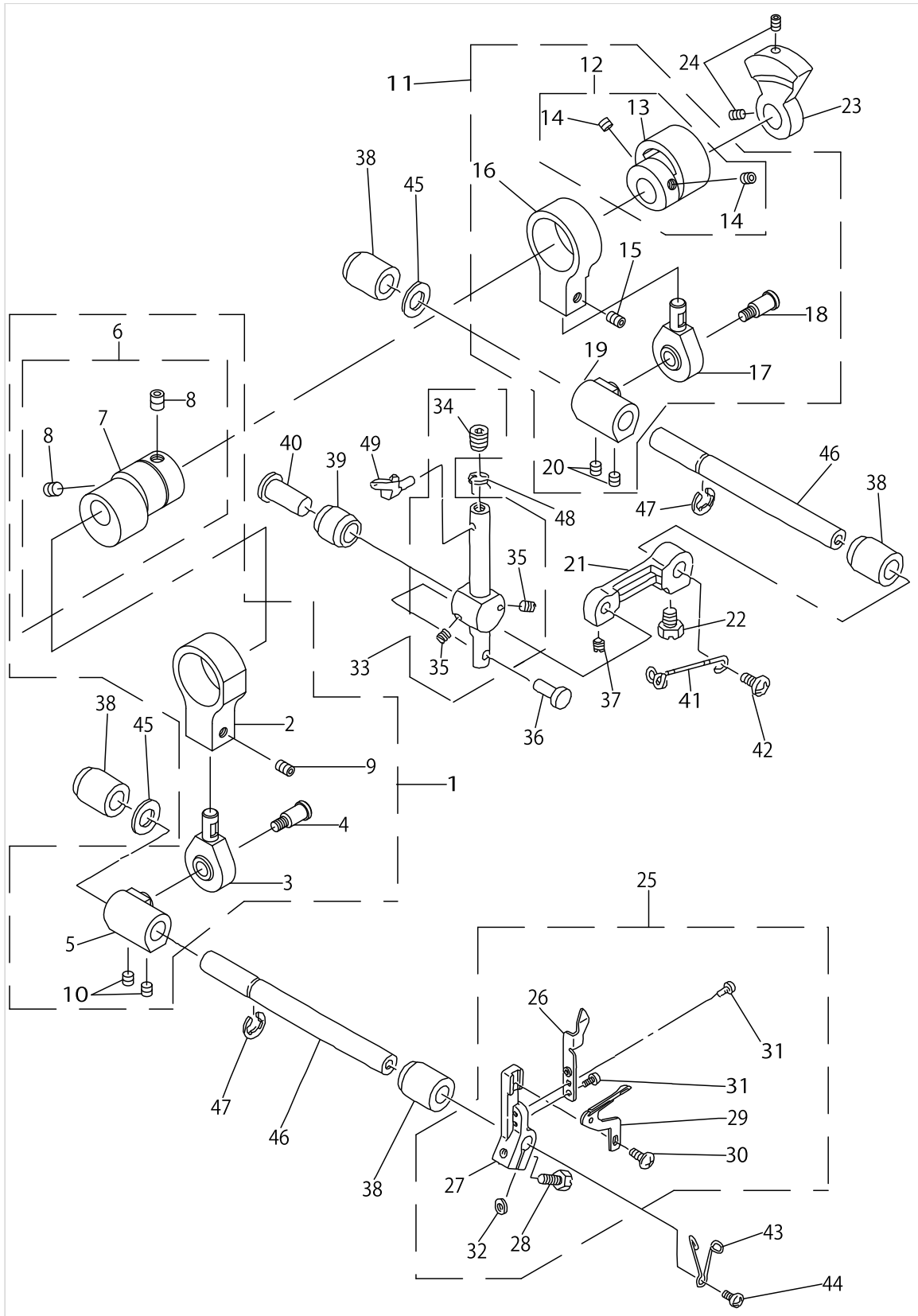
LOOPER DRIVE COMPONENTS



LOOPER DRIVE COMPONENTS

No.	Supply Code	Parts No.	Replacement	Parts name	Remarks	Choice	Step	Level	Cons	Qty	Rep. QTY
1		A25155340A0B		LOWER LOOPER ROD ASM.						1	
2		A2515534000A		LOWER LOOPER ROD				*		1	
3		A2503776000		CONNECTING ROD				*		1	
4		A2504776000		CONNECTING SCREW				*		1	
5		A2505776000		LOOPER DRIVING ARM				*		1	
6		A25145340A0B		LOWER LOOPER CAM ASM.				*		1	
7		A2514534000C		LOWER LOOPER CAM				*		1	
8		SM8050602TP		SCREW				*		2	
9		SM8040602TP		SCREW				*		1	
10		SM8040402TP		SCREW				*		2	
11	R	A25025340A0A	40061961	UPPER LOOPER ROD ASM.						1	1.00
12	R	A25015340A0A	40079509	UPPER LOOPER CAM ASM.				*		1	1.00
13		A2501534000A		UPPER LOOPER CAM				*		1	
14		SM8040402TP		SCREW				*		2	
15		SM8040602TP		SCREW				*		1	
16		A2502534000A		UPPER LOOPER ROD				*		1	
17		A2503776000		CONNECTING ROD				*		1	
18		A2504776000		CONNECTING SCREW				*		1	
19		A2505776000		LOOPER DRIVING ARM				*		1	
20		SM8040402TP		SCREW				*		2	
21		A2510334000		UPPER LOOPER OS- C. ARM CONNECT						1	
22		SM9050850SP		SCREW						1	
23		A2550534000C		LOOPER BALANCER						1	
24		SM8030402TP		SCREW M3X0.5 L=4						2	
25		A25176340A0		LOWER LOOPER SU- Pपोर्ट ARM ASM.						1	
26		A2536535000		NEEDLE GUARD REAR				*		1	
27		A2517535000		LOWER LOOPER SUPPORT ARM				*		1	
28		SM9051400SN		SCREW				*		1	
29		A252633500S		LOWER LOOPER				*		1	
30		SM5030655SN		SCREW				*		1	
31		SM4030655SP		SCREW				*		2	
32		A2518534000		SPACER				*		1	
33	R	A25303350AS	A25308000A0	UPPER LOOPER SLIDE STUD ASM.						1	1.00
34		SM8050602TP		SCREW				*		1	
35		SM8040402TP		SCREW				*		2	
36		A2529335000		UPPER LOOPER ARM PIN						1	
37		SM8040402TP		SCREW						1	
38		A2112204000		SUB FEED ADJUSTING METAL						4	
39		A2561777000		HORI. FEED SHAFT METAL FRONT						1	
40		A2531534000A		UPPER LOOPER GUIDE SHAFT						1	
41		A25196340A0		UPPER LOOPER TH- READ TAKE-UP						1	
42		SM4040655SN		SCREW						1	
43		A25206340A0		LOWER LOOPER TH- READ TAKE-UP						1	
44		SM4040655SN		SCREW						1	
45		WP0820516SP		WASHER						2	

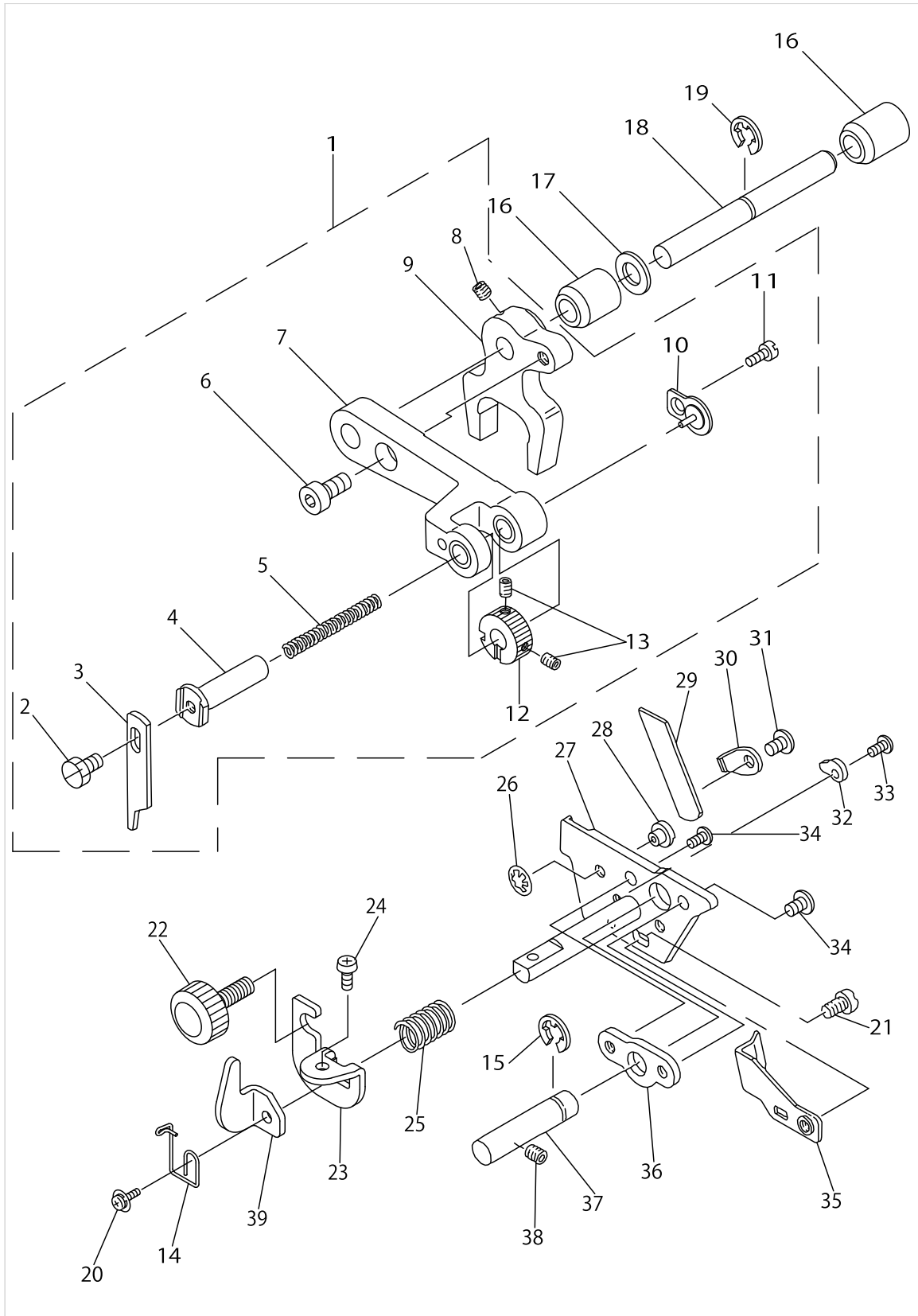
LOOPER DRIVE COMPONENTS



LOOPER DRIVE COMPONENTS

No.	Supply Code	Parts No.	Replacement	Parts name	Remarks	Choice	Step	Level	Cons	Qty	Rep. QTY
46		A2521534000		LOOPER SHAFT						2	
47		RE0600000K0		E-SHAPED SNAP RING						2	
48		A25215130A0		UPPER LOOPER THREAD GUIDE						1	
49		A2512234000		UPPER LOOPER						1	

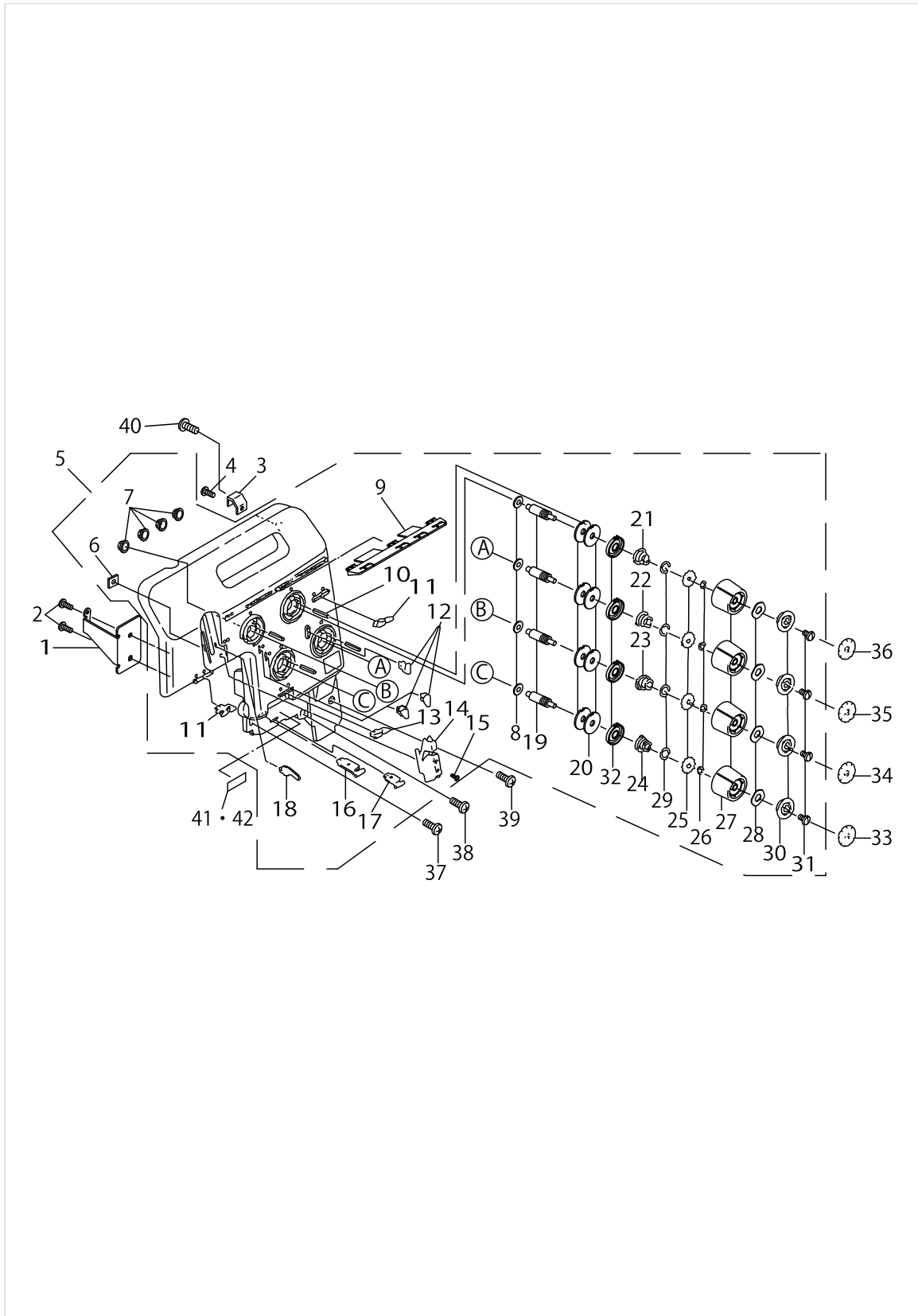
KNIFE COMPONENTS



KNIFE COMPONENTS

No.	Supply Code	Parts No.	Replacement	Parts name	Remarks	Choice	Step	Level	Cons	Qty	Rep. QTY
1		A41016440A0		UPPER KNIFE DRIVING ARM ASM.						1	
2		SM9040700SP		HEXAGONAL BOLT				*		1	
3		A4142335000		UPPER KNIFE HOLD- ER SHAFT ASM.				*		1	
4		A4103535000		UPPER KNIFE HOLDER				*		1	
5		A4106535000		KNIFE PRESSER SPRING				*		1	
6		SM6051002TP		SCREW				*		1	
7		A4101503000C		UPPER KNIFE DRIVING ARM				*		1	
8		SM8040402TP		SCREW				*		1	
9	R	A4102535000	40072483	UPPER KNIFE FORKED ARM				*		1	1.00
10		A41075020A0		KNIFE SPRING SUP- PORTING PLATE				*		1	
11		SM1030601SP		SCREW				*		1	
12		A4105776000A		UPPER KNIFE TURNING KNOB				*		1	
13		SM8030402TP		SCREW				*		2	
14		A4133524000		LOWER KNIFE ADJ.SPRING						1	
15		RE0600000K0		E-RING 6						1	
16		A2112204000		SUB FEED ADJUSTING METAL						2	
17		WP0820516SP		WASHER						1	
18		A4108535000		UPPER KNIFE SHAFT						1	
19		RE0600000K0		E-SHAPED SNAP RING						1	
20		SL4030631SC		SCREW						1	
21		SM4040655SP		SCREW						1	
22		A4130524000		LOWER KNIFE ADJ.KNOB						1	
23		A4131524000		LOWER KNIFE ADJ.SUPPORT						1	
24		SM5030855SN		SCREW						1	
25	R	A4136524000	A4136335000	LOWER KNIFE HOLDER SPRING						1	1.00
26		A3205555A00		STOPPER						1	
27		A41215240AC		LOWER KNIFE HOLDER ASM.						1	
28		A4149535000		LOWER KNIFE ANG- LE ADJ.SUPPORT						1	
29		A4145335000		LOWER KNIFE						1	
30		A4123335000		LOWER KNIFE PRESSER PLATE						1	
31		SM4040655SP		SCREW						1	
32		A4124335000		LOWER KNIFE SUP- PORTING PLATE						1	
33		SM4030655SP		SCREW						1	
34		SM4040655SP		SCREW						2	
35		A4147535000		CHIP GUARD COVER STOPPER						1	
36		A4139655000		LOWER KNIFE HOLDER SUPPORT						1	
37		A4125524000		LOWER KNIFE HOLDER SHAFT						1	
38		SM8040402TP		SCREW						1	
39		A4132524000		LOWER KNIFE ADJ.- KNOB STOPPER						1	

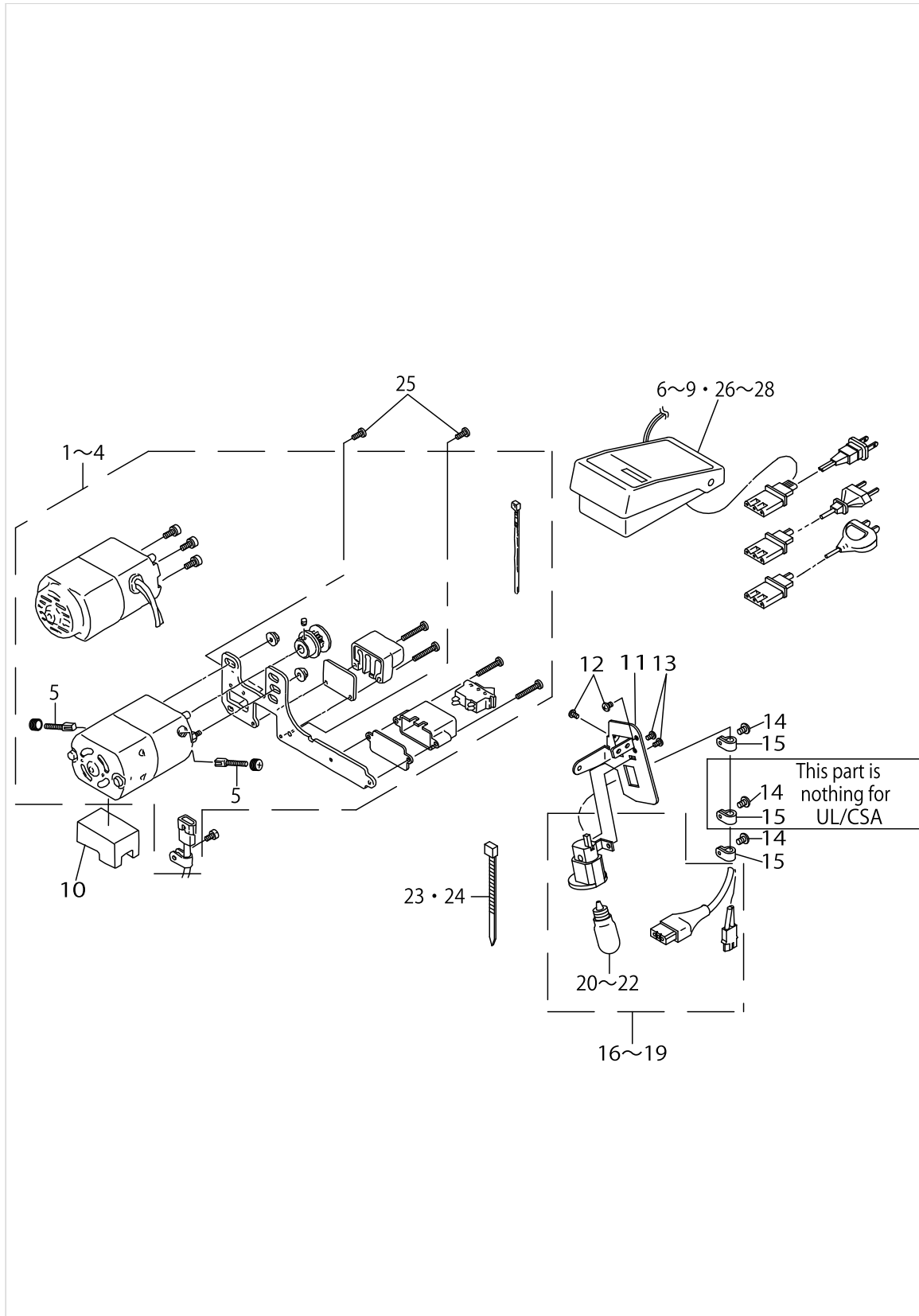
THEREAD TENSION COMPONENTS



THEREAD TENSION COMPONENTS

No.	Supply Code	Parts No.	Replacement	Parts name	Remarks	Choice	Step	Level	Cons	Qty	Rep. QTY
1		A3154634000A		F. COVER INSTALLATION HOLDER						1	
2		ST5031051SN		TAPPING SCREW						2	
3		A3158634000		FRONT COVER FIX PLATE(A)						1	
4		ST5031051SN		TAPPING SCREW						1	
5		A31016440A0A		FRONT COVER ASM.						1	
6		A3151535000		FRONT COVER NUT				*		1	
7		A3103502000		NUT				*		4	
8		WP0380516SD		WASHER				*		4	
9	R	A31076440B0	40075210	1 ST THREAD GUIDE				*		1	1.00
10		PS0200202KH		PIN				*		4	
11		A3118204000		NEEDLE THREAD GUIDE				*		2	
12		A3110202000		THREAD GUIDE B				*		3	
13		A3157535000		THREAD GUIDE A				*		1	
14		A31195540A0		NEEDLE THREAD TAKE-UP COVER				*		1	
15		SM5030855SN		SCREW				*		1	
16		A31576340A0		THREAD GUIDE(C)(-UPPER LOOPER)				*		1	
17		A31576340AA		THREAD GUIDE(D)(-LOWER LOOPER)				*		1	
18		A3130634000		NEEDLE THREAD GUIDE PLATE				*		1	
19	R	A3102202000	A3102202000A	NEEDLE THREAD TENSION SHAFT				*		4	1.00
20		B3126352000		TENSION DISC				*		8	
21		A3901634000		RIGHT NEEDLE SPRING				*		1	
22		A3901634000		LOWER LOOPER SPRING				*		1	
23		A3906634000		LEFTNEEDLE SPRING				*		1	
24		A3902634000		UPPER LOOPER SPRING				*		1	
25		A3134634000		TENSION NUT				*		4	
26		WP0510516SD		WASHER				*		4	
27		A3104644000A		THREAD ADJUSTING DIAL				*		4	
28		A3106202000		WAVED WASHER				*		4	
29		A3158535000		THREAD ADJUSTING SPRING WASHER				*		4	
30		A3105535000		DIAL PRESER PLATE				*		4	
31		A3109534000		SCREW				*		4	
32		A3900634000		THREAD TAKE-UP SPRING				*		4	
33		A3112644000		SEAL(UPPER LOOPER)						1	
34		A3114644000		SEAL(LEFT-HAND NEEDLE)						1	
35		A3113644000		SEAL(LOWER LOOPER)						1	
36		A3111644000		SEAL(RIGHT-HAND NEEDLE)						1	
37		SM5040655SN		SCREW						1	
38		SM5041055SN		SCREW						1	
39		SM5030855SN		SCREW						1	
40		SM5030655SN		SCREW						1	
41		A9196524000		CAUTION LABEL						1	
42		40080429		CAUTION_LABEL_(KOR)						1	

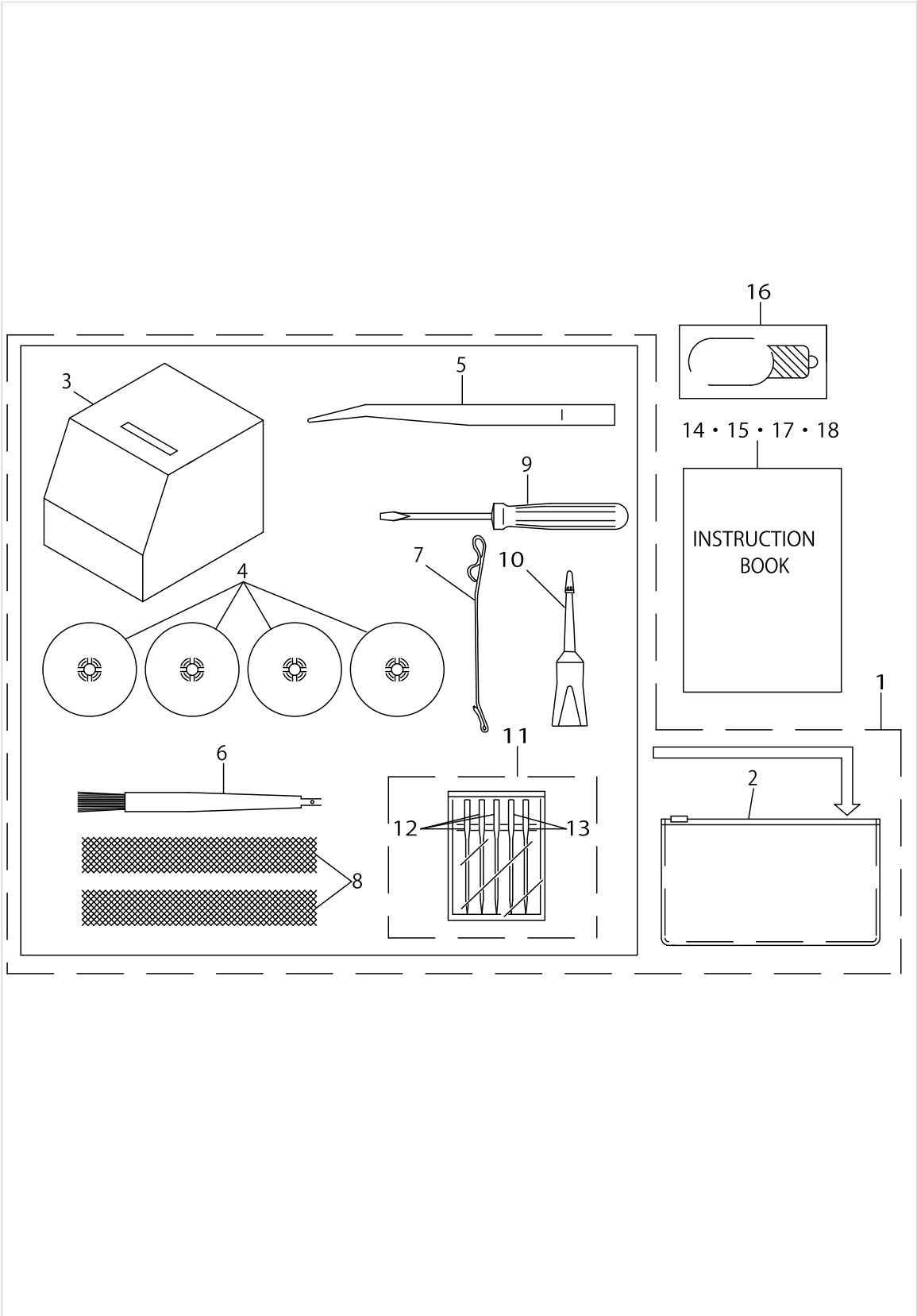
LAMP & MOTOR CONTROLLER COMPONENTS



LAMP & MOTOR CONTROLLER COMPONENTS

No.	Supply Code	Parts No.	Replacement	Parts name	Remarks	Choice	Step	Level	Cons	Qty	Rep. QTY
1		A63016440BC		MOTOR ASM. (SAUDI)						1	
2		A63016440B0A		MOTOR ASM. (UL/CSA)						1	
3		A63016440BBA		MOTOR ASM. (VDE)						1	
4		A63016440BBA		MOTOR ASM. (SAA)						1	
5	R	A6090534000	40176231	CARBON BRUSH (USA/CSA)				*		2	1.00
6	D	A6401634H00		FOOT CONT. (SAUDI)						1	
7		A6401634DA0C		FOOT CONT. ASM. (UL/CSA)						1	
8		A64016440AAA		FOOT CONT. ASM. (VDE)						1	
9		A6401634GA0B		FOOT CONT. ASM. (SAA)						1	
10		A6003535000		MOTOR PROTECTOR						1	
11		A6007634000		LAMP HOLDER SUPPORT						1	
12		SM4040655SN		SCREW						2	
13		SM5030555SC		SCREW						2	
14		SM4040655SN		SCREW						3	
15		HX00150000B		CABLE CLIP						3	
16		A60066340A0		LAMP HOLDER ASM.(SAUDI)						1	
17	R	A600653401D	A60068000AAA	LAMP HOLDER ASM. (UL/CSA)						1	1.00
18		A60066340ABA		LAMP HOLDER ASM. (VDE)						1	
19		A60066340ABA		LAMP HOLDER ASM. (SAA)						1	
20		A6013535000		LAMP (UL/CSA)				*		1	
21		A6013534C00		LAMP (VDE/SAA)				*		1	
22	R	A6007134E00	A6007134E00A	LAMP (SAUDI)				*		1	1.00
23		EA9500B0200		CLIP (VDE/SAA/SAUDI)						2	
24		EA9500B0200		CLIP (UL/CSA)						1	
25		SL5040865SN		SCREW						2	
26		A640164D0AEA		CONTROLLER_ASM_(CHN)						1	
27		A640111000CB		CONTROLLER_ASM_(BS)						1	
28		40079807		CONTROLLER_ASM_(KOR)						1	

ACCESSORIES PARTS COMPONENTS



ACCESSORIES PARTS COMPONENTS

No.	Supply Code	Parts No.	Replacement	Parts name	Remarks	Choice	Step	Level	Cons	Qty	Rep. QTY
1	R	A91216440A0	40154547	ACCESSORY BAG ASM.						1	1.00
2		A9121503000A		ACCESSORY BAG WITH ZIPPER				*		1	
3		A9102644000		VINYL COVER				*		1	
4		A115098000A		SPOOL RETAINER				*		4	
5		A9109202000		TWEEZERS				*		1	
6	R	A9105334000	40065952	NEEDLE INSERTER TOOL/BRUSH				*		1	1.00
7		A9110335000		LOOPER THREADER				*		1	
8		A9116335000		PLASTIC NET				*		2	
9		A9107800M00		SCREW-DRIVER (SMALL)				*		1	
10		A91041020A0		OILER WITH OIL ASM.				*		1	
11		A91176340A0		NEEDLE SET WITH CASE				*		1	
12		MHA100B1100		NEEDLE HAX1 #11				*		3	
13		MJL200B1100		NEEDLE JLX2 #11				*		2	
14		A915064400A		MANUAL (ENG/FRA/GER/SPA)						1	
15		A915064400B		MANUAL (CZECH/POL/HUNG)						1	
16	R	A6013634HA0	A6013800A00A	LAMP ASM. (SAUDI)						1	1.00
17		A915064D00C		MANUAL (CHN)						1	
18		40080425		MANUAL (KOR)						1	

HOW TO MAKE USE OF THIS PARTS LIST

- 1.As to "#01" and "#02" refer to the "Note" given at the bottom of the respective pages.
- 2.Codes on the "Qty" column
 - Each numeral indicates the number of parts required.
 - "0.1" and "2.5" indicate the length (in meters) of the respective parts.
- 3.Parentheses mean that the corresponding part is a subpart that constructs an assembly part.
- 4.Dotted lines on the Figures indicate assembly parts.

NUMERICAL INDEX OF PARTS

PART NO	PAGE	REF NO.	PART NO	PAGE	REF NO.	PART NO	PAGE	REF NO.
40079807	22	6~9·26~28	A1205634000	6	9	A1627634D00	10	3
			A1206102000	6	5	A1628535000A	10	1
40080425	24	14·15·17~18	A1206202000	6	4	A1630535000	12	53
40080429	20	41·42	A1206335000	6	1	A1631535000	10	5
40080432	4	34·35·66~67	A1206535000	6	7	A1634535000	10	7
			A1207503000	12	54	A1635535000	10	9
A11026440A0	4	50·51	A1230500000A	6	8	A1636535000A	10	12
A1102644AA0	4	50·51	A1401535000A	8	14	A163752D000	10	14
A1103644000A	2	21	A1402535000	8	9	A1637535000	10	13
A1104644A00A	2	33	A1403102000	8	3	A1638776000	10	24
A110464D000A	2	32	A1403335000A	8	13	A1639535000	10	17
A110464D0A0A	2	29	A1404535000	8	11	A1642534D00	10	36
A1106644000	2	18	A14066340A0	8	27	A1648535000	10	38
A11153340A0	2	11	A14066340B0	8	26	A1650534000	10	46
A11153340B0A	2	10	A1407102000	8	1	A165152D000	10	26
A1118644000A	2	6	A1409634000	8	31	A1651535000	10	45
A1119644000A	2	3	A1410634000	8	29	A1652535000	12	48
A1120202000	2	1	A1411335000	8	38	A167052D000	10	28
A1120334000	2	5	A1412535000	8	4	A167152D000	10	31
A11206440A0	2	4	A1413613000	8	5	A167352D000	10	32
A1121202000	2	2	A14145020A0	8	12	A167452D000	10	33
A1123535000	4	52	A1416777000	8	28	A167552D0A0	10	35
A1124644000	2	19	A1501535000	8	17	A2112204000	14	38
A1131203000	2	12	A15016340B0	8	35	A2112204000	18	16
A1132334000	2	13	A15016440C0	8	33	A2501534000A	14	13
A1135535000	2	40	A1502535000	8	18	A25015340A0A	14	12
A1136314DA0A	2	15	A1503634000	8	16	A2502534000A	14	16
A1138335000	2	9	A15045350A0	8	22	A25025340A0A	14	11
A1145644000	2	20	A1506644000	8	24	A2503776000	14	17
A1146644000	2	16	A1507535000	8	20	A2504776000	14	18
A115098000A	24	4	A15145350B0	8	34	A2505776000	14	19
A115164D0A0B	2	24·25	A1550634000	8	37	A2510334000	14	21
A115164DA00A	2	27·28	A160264D000A	10	18	A2512234000	16	49
A115164DB00A	2	27·28	A16055500A0A	10	41	A2514534000C	14	7
A115164DBA0B	2	24·25	A1612535000	12	49	A25145340A0B	14	6
A1152644000B	2	26	A1613535000	10	42	A2515534000A	14	2
A11536440A0	4	54	A1616535000	10	44	A25155340A0B	14	1
A1156644000	2	44	A1616880000	10	21	A2517535000	14	27
A1160634000	2	30	A16168800A0	10	20	A25176340A0	14	25
A11615350A0	4	60	A1617534000A	12	51	A2518534000	14	32
A1164535000	2	42	A1620335000	10	40	A25196340A0	14	41
A1169634000	4	57	A1622535000	12	56	A25206340A0	14	43
A1190644000	4	59	A16235350A0	12	59	A25215130A0	16	48
A120153500A	6	2	A1625535000	12	61	A2521534000	16	46
A1202644000	6	6	A1626535000A	12	62	A252633500S	14	29

NUMERICAL INDEX OF PARTS

PART NO	PAGE	REF NO.	PART NO	PAGE	REF NO.	PART NO	PAGE	REF NO.
A2529335000	14	36	A4101503000C	18	7	A640164D0AEA	22	6~9·26~28
A25303350AS	14	33	A41016440A0	18	1	A9102644000	24	3
A2531534000A	14	40	A4102535000	18	9	A91041020A0	24	10
A2535534000A	2	36	A4103535000	18	4	A9105334000	24	6
A2536524000	4	64	A4105776000A	18	12	A9107800M00	24	9
A2536535000	14	26	A4106535000	18	5	A9109202000	24	5
A2550534000C	14	23	A41075020A0	18	10	A9110335000	24	7
A2561777000	14	39	A4108535000	18	18	A9116335000	24	8
A31016440A0A	20	5	A41215240AC	18	27	A91176340A0	24	11
A3102202000	20	19	A4123335000	18	30	A9121503000A	24	2
A3103502000	20	7	A4124335000	18	32	A91216440A0	24	1
A3104644000A	20	27	A4125524000	18	37	A915064400A	24	14·15·17-18
A3105535000	20	30	A4130524000	18	22	A915064400B	24	14·15·17-18
A3106202000	20	28	A4131524000	18	23	A915064D00C	24	14·15·17-18
A31076440B0	20	9	A4132524000	18	39	A9196524000	2	39
A3109534000	20	31	A4133524000	18	14	A9196524000	20	41·42
A3110202000	20	12	A4136524000	18	25	B3126352000	20	20
A3111644000	20	36	A4139655000	18	36	EA9500B0200	22	23·24
A3112644000	20	33	A4142335000	18	3	HX00150000B	22	15
A3113644000	20	35	A4145335000	18	29	MHA100B1100	8	32
A3114644000	20	34	A4147535000	18	35	MHA100B1100	24	12
A3118204000	20	11	A4149535000	18	28	MJL200B1100	24	13
A31195540A0	20	14	A6003535000	22	10	PS0200202KH	20	10
A3123644A00A	4	34·35·66-67	A600653401D	22	16~19	PS0400222KH	6	3
A3123644B00	2	34·35·66-67	A60066340A0	22	16~19	RE0300000K0	10	11
A3123644C00	2	34·35·66-67	A60066340ABA	22	16~19	RE0500000K0	8	25
A3130634000	20	18	A6007134E00	22	20~22	RE0500000K0	10	58
A3130634000	20	18	A6007634000	22	11	RE0500000K0	12	58
A3130634000	20	18	A6013534C00	22	20~22	RE0600000K0	8	7
A3134634000	20	25	A6013535000	22	20~22	RE0600000K0	16	47
A3150535000	4	49	A6013634HA0	24	16	RE0600000K0	18	19
A3151535000	2	23	A6051634000	4	53	SL4030631SC	18	20
A3151535000	20	6	A6090534000	22	5	SL4040831SF	2	22
A3154634000A	20	1	A63016440B0A	22	1~4	SL5031031SN	2	17
A3157535000	20	13	A63016440BBA	22	1~4	SL5040865SN	4	62
A31576340A0	20	16	A63016440BC	22	1~4	SL5040865SN	22	25
A31576340AA	20	17	A640111000CB	22	6~9·26~28	SM1030601SP	18	11
A3158535000	20	29	A6401634DA0C	22	6~9·26~28	SM4020351SC	2	14
A3158634000	20	3	A6401634GA0B	22	6~9·26~28	SM4030301SC	8	36
A3161634000	4	46	A6401634H00	22	6~9·26~28	SM4030455SP	2	37
A3205555A00	18	26	A6401634H00	22	6~9·26~28	SM4030655SP	10	37
A3900634000	20	32	A64016440AAA	22	6~9·26~28	SM4030655SP	14	31
A3901634000	20	22						
A3902634000	20	24						
A3906634000	20	23						

NUMERICAL INDEX OF PARTS

PART NO	PAGE	REF NO.	PART NO	PAGE	REF NO.
SM4030655SP	18	33	SM9050850SP	14	22
SM4040655SN	4	47	SM9051400SN	14	28
SM4040655SN	8	6	ST4861051SN	10	2
SM4040655SN	10	43	ST5031051SN	20	4
SM4040655SN	14	44	ST5041051SN	2	61
SM4040655SN	22	14	ST5041051SN	4	61
SM4040655SP	18	34	WP0380516SD	20	8
SM4040855SN	4	45	WP0510516SD	20	26
SM4850455SN	4	58	WP0531000SC	10	30
SM5030455SN	8	30	WP0820516SP	8	8
SM5030555SC	22	13	WP0820516SP	14	45
SM5030655SN	14	30	WP0820516SP	18	17
SM5030655SN	20	40	WZ0430200KP	12	47
SM5030855SN	18	24	WZ0540200KH	10	23
SM5030855SN	20	39			
SM5032555SE	4	63			
SM5040655SN	4	65			
SM5040655SN	10	34			
SM5040655SN	20	37			
SM5040855SN	2	55			
SM5040855SN	4	55			
SM5040855SN	8	23			
SM5041055SN	20	38			
SM5043755SC	2	8			
SM5051255SN	2	38			
SM6051002TP	18	6			
SM8030302TP	10	25			
SM8030402TP	10	27			
SM8030402TP	14	24			
SM8030402TP	18	13			
SM8040302TP	12	60			
SM8040402TP	8	10			
SM8040402TP	10	57			
SM8040402TP	12	57			
SM8040402TP	14	37			
SM8040402TP	18	38			
SM8040602TP	12	55			
SM8040602TP	14	15			
SM8050402TP	8	19			
SM8050602TP	8	15			
SM8050602TP	14	34			
SM8050842TP	4	48			
SM8060602TP	8	2			
SM9040700SP	10	39			
SM9040700SP	18	2			