

MODEL : MO-654DE

List No : 6006-00

# PARTS LIST

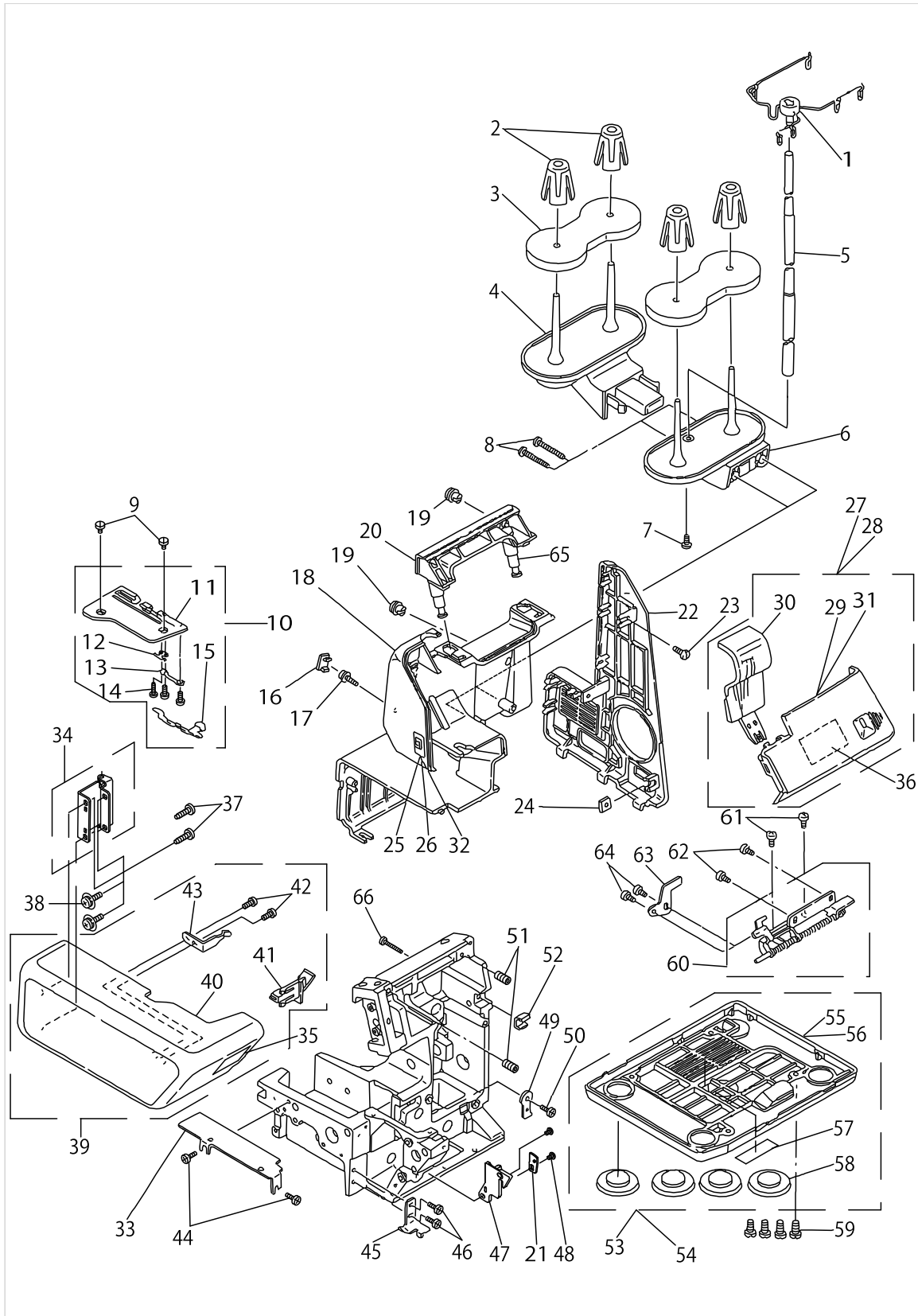
Published:05/12/2017

## CONTENTS

---

FRAME COMPONENTS .....	1
NEEDLE BAR & PRESSER FOOT COMPONENTS.....	5
FEED MECHANISM COMPONENTS.....	7
LOOPER DRIVE COMPONENTS .....	13
KNIFE COMPONENTS.....	17
THREAD TENSION COMPONENTS .....	19
LAMP & MOTOR CONTROLLER COMPONENTS.....	21
ACCESSORIES PARTS COMPONENTS .....	23
HOW TO MAKE USE OF THIS PARTS LIST .....	25

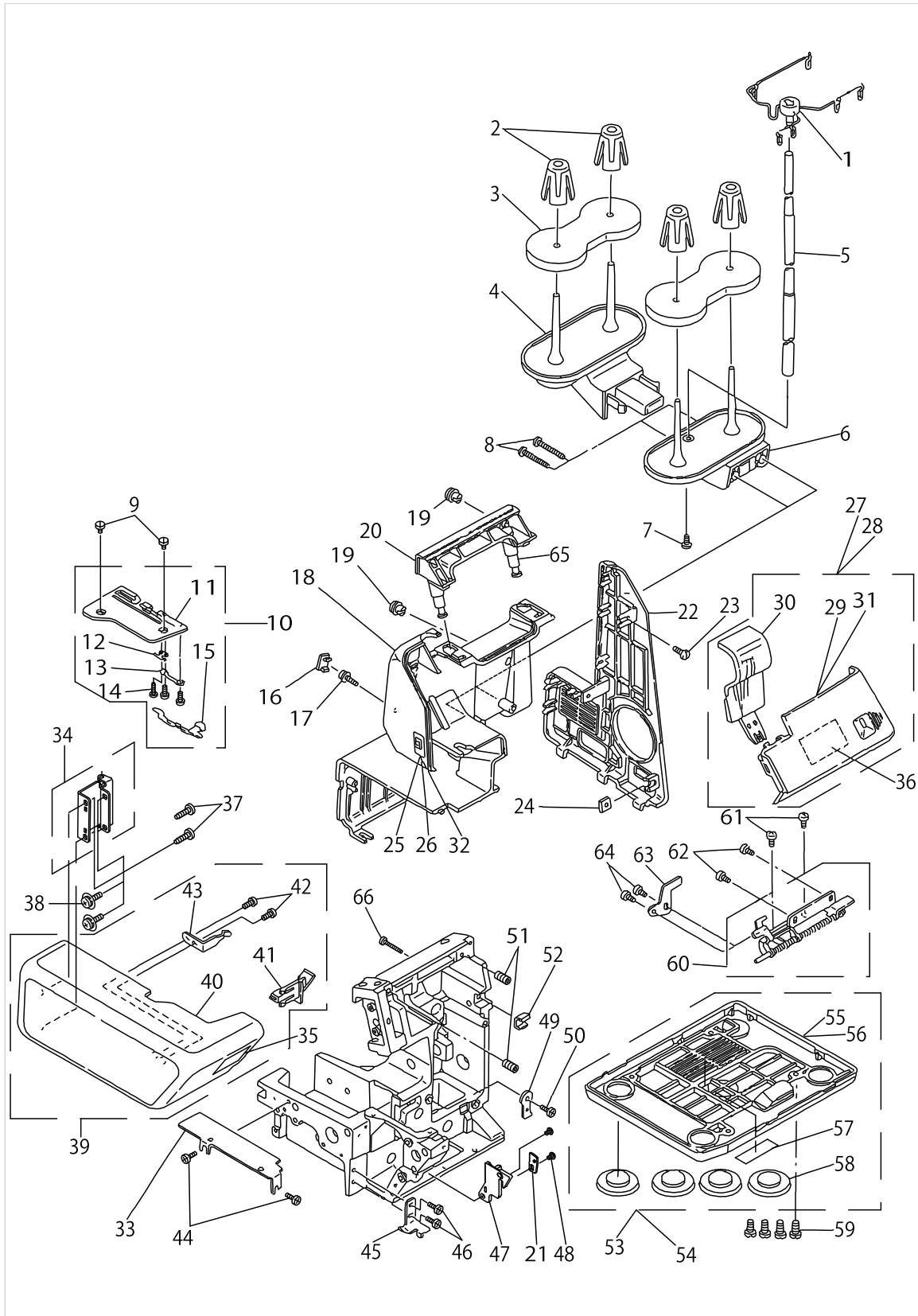
FRAME COMPONENTS



FRAME COMPONENTS

No.	Supply Code	Parts No.	Replacement	Parts name	Remarks	Choice	Step	Level	Cons	Qty	Rep. QTY
1		A11206440A0		THREAD GUIDE ASM.						1	
2		A1120202000		SPOOL RETAINER						4	
3		A1121202000		FOAM PAD						2	
4		A1119644000A		SPOOL HOLDER(B)						1	
5	R	A1120334000	40082787	SUPPORTING ROD						1	1.00
6		A1118644000A		SPOOL HOLDER(A)						1	
7		SM5051255SN		SCREW						1	
8		SM5043755SC		SCREW						2	
9		A1138335000		SCREW						2	
10		A11153340B0A		THROAT PLATE MAS.ASM.						1	
11		A11153340A0		THROAT PLATE ASM.				*		1	
12		A1131203000		LATCH PRESSER SPRING				*		1	
13		A1132334000		THREAD SLIP GUIDE				*		1	
14		SM4020351SC		SCREW				*		3	
15		A1136314DA0A		THROAT PLATE TH- READ SLIP ASM.				*		1	
16		A1146644000		COVER CAP(B)						1	
17		SL5031031SN		SCREW						1	
18	D	A1106644000		REAR COVER W.RE- FLECTING SEAL						1	
19		A1124644000		COVER CAP(A)						2	
20		A1145644000		HANDLE						1	
21		A2538554000		THREAD GUIDE LEVER PLATE						1	
22	R	A110365D000A	A110303D000	SIDE COVER						1	1.00
23	D	SL4040831SF		SCREW						1	
24		A3151535000		FRONT COVER NUT						1	
25		A3123644C00		LABEL(SAUDI)						1	
26		A3123644B00		LABEL(VDE/SAA)						1	
27		A115165D0A0B		LOOPER COVER ASM.(UL/GSA)						1	
28		A115165DBA0B		LOOPER COVER AS- M VDE/SAA/SAUDI						1	
29		A115165DB00A		LOOPER COVER (V- DE/SAA/SAUDI)				*		1	
30		A1152654000B		CHIP GUARD COVER				*		1	
31		A115165DA00A		LOOPER COVER (UL/GSA)				*		1	
32		A3123644A00A		LABEL(UL/GSA)						1	
33		A1135535000		UPPER COVER						1	
34		A11615350A0		CLOTH PLATE HINGE ASM.						1	
35		A1171634000		SAFETY SWITCH SEAL						1	
36		A1190654000		THREAD GUIDE SEAL						1	
37		ST5041051SN		TAPING SCREW						2	
38		SL5040865SN		SCREW						2	
39		A11046440A0A		CLOTH PLATE ASM.						1	
40		A1104644000A		CLOTH PLATE				*		1	
41		A1104644A00A		CLOTHPLATECOVER				*		1	
42		ST5041051SN		TAPING SCREW				*		2	
43		A1160634000		CLOTH PLATE OPENING SPRING				*		1	
44		SM5040855SN		SCREW						2	
45		A1164535000		CLOTH PLATE PRESSER PLATE						1	

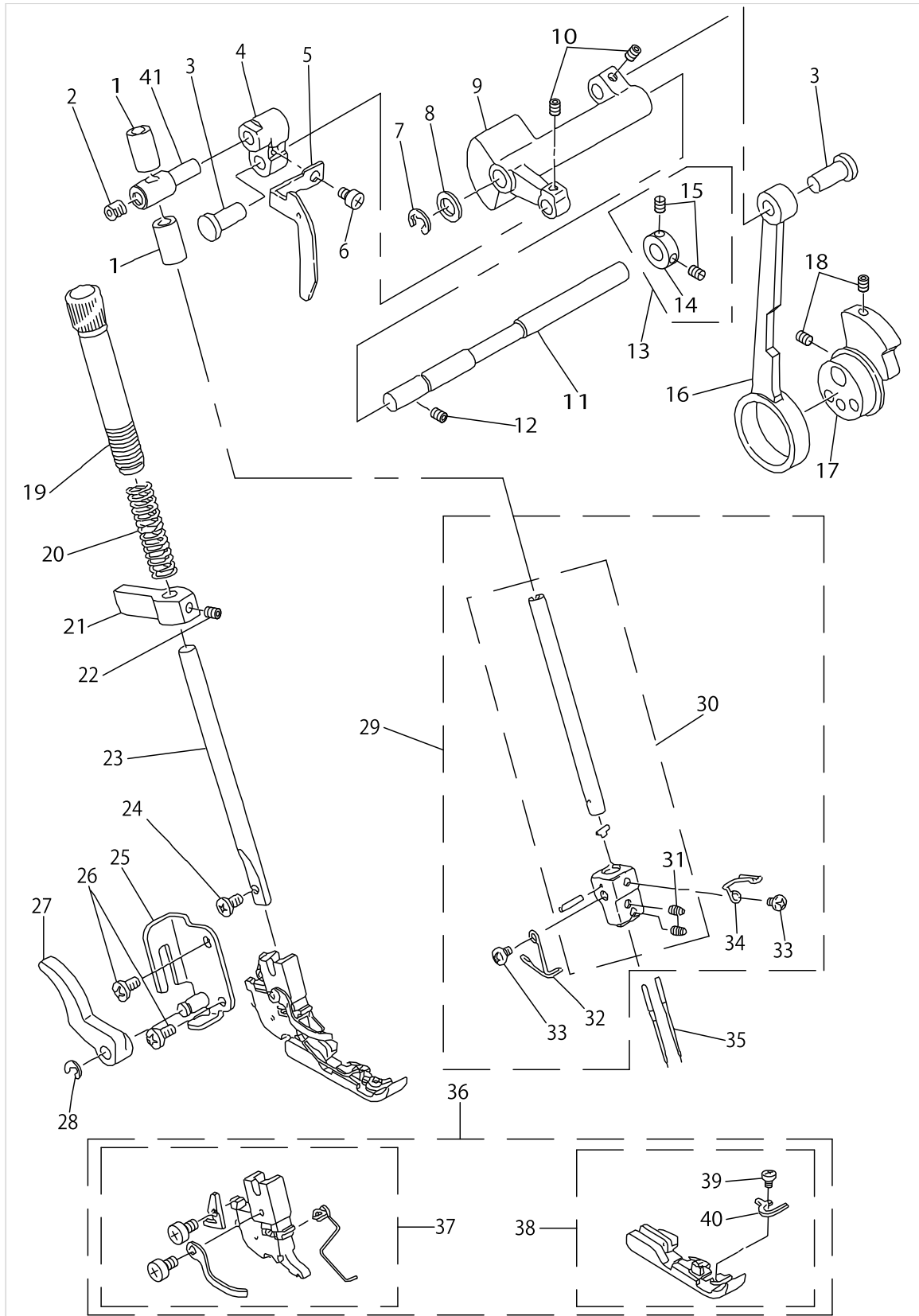
FRAME COMPONENTS



FRAME COMPONENTS

No.	Supply Code	Parts No.	Replacement	Parts name	Remarks	Choice	Step	Level	Cons	Qty	Rep. QTY
46		SM5040855SN		SCREW						2	
47		A1156654000A		LOOPER COVER GUIDE						1	
48		SM4040855SN		SCREW						2	
49		A3161634000		FRONT COVER INS-TALLATION PLATE						1	
50		SM4040655SN		SCREW						1	
51		SM8050842TP		SCREW						2	
52		A3150535000		FRONT COVER ASM. PLATE						1	
53	D	A11026440A0		BASE PLATE ASM.						1	
54		A1102644AA0		BASE PLATE ASM.(SAUDI)						1	
55		A1102644000		BASE PLATE				*		1	
56		A1102644A00		BASE PLATE(DOUBLE VOLTAGE)				*		1	
57		A6051634000		SEAL (SAUDI)				*		1	
58		A1123535000		SUCTION FEET				*		4	
59		SM5051255SN		SCREW						4	
60		A11536340A0		LOOPER COVER HINGE ASM.						1	
61		SM5040855SN		SCREW						2	
62		ST5041051SN		TAPING SCREW						2	
63		A1169634000		CHIP GUARD COVER PLATE						1	
64		SM4850455SN		SCREW						2	
65		A1145634A00		HANDLE INSERT ROD						2	
66		SM5032555SE		SCREW						1	

NEEDLE BAR & PRESSER FOOT COMPONENTS

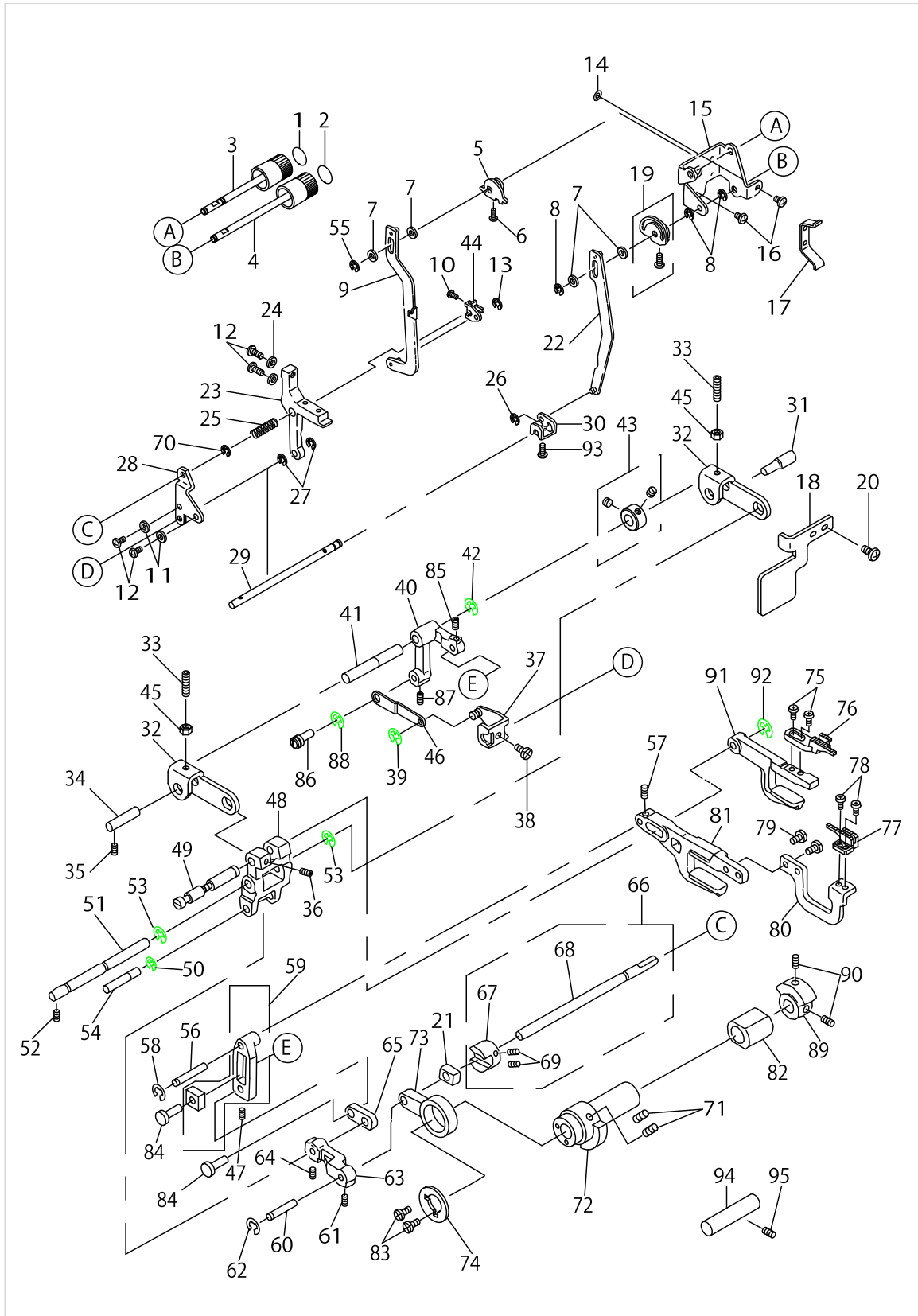


NEEDLE BAR & PRESSER FOOT COMPONENTS

No.	Supply Code	Parts No.	Replacement	Parts name	Remarks	Choice	Step	Level	Cons	Qty	Rep. QTY
1		A1407102000		NEEDLE BAR BUSHING LOWER						2	
2		SM8060602TP		SCREW						1	
3		A1403102000		CONNECTING PIN						2	
4		A1412535000		NEEDLE BAR LINK						1	
5		A1413613000		NEEDLE THREAD TAKE-UP						1	
6		SM4040655SN		SCREW						1	
7		RE0600000K0		E-RING						1	
8		WP0820516SP		WASHER						1	
9		A1402535000		NEEDLE BAR CRANK						1	
10		SM8040402TP		SCREW						2	
11		A1404535000		SCREW						1	
12		SM8040402TP		THRUST COLLAR ASM.						1	
13		A14145020A0		THRUST COLLAR ASM.						1	
14		A1414502000		SCREW				*		1	
15		SM8040402SP		SCREW				*		2	
16		A1403335000A		NEEDLE BAR CRANK ROD						1	
17		A1401535000A		NEEDLE BAR DRIVING CAM						1	
18		SM8050602TP		SCREW						2	
19		A1503634000		PRESSER FOOT ADJ.SCREW						1	
20		A1501535000		PRESSER SPRING						1	
21		A1502535000		PRESSER BAR GUIDE BRACKET						1	
22		SM8050402TP		SCREW						1	
23		A1507535000		PRESSER BAR						1	
24		SM5040855SN		SCREW						1	
25		A15045350A0		LIFTING LEVER SET PLATE ASM.						1	
26		SM5040855SN		SCREW						2	
27		A1506644000		LIFTING LEVER						1	
28		RE0500000K0		E-RING						1	
29		A14066340B0		NEEDLE BAR ASM.						1	
30		A14066340A0		NEEDLE BAR ASM.				*		1	
31		A1416777000		NEEDLE SCREW				*		2	
32		A1410634000		NEEDLE BAR THREAD GUIDE(B)				*		1	
33		SM5030455SN		SCREW				*		2	
34		A1409634000		NEEDLE BER THREAD GUIDE(A)				*		1	
35		MHA100B1100		NEEDLE HAX1 #11						2	
36		A15016340C0		PRESSER FOOT MAS. ASM.						1	
37		A15145350C0		PRESSER FOOT SHANK ASM.				*		1	
38		A15016340B0		PRESSER FOOT				*		1	
39		SM4030301SC		SCREW				*		1	
40		A1550634000		TAPE GUIDE PLATE				*		1	
41		A1411335000		CLOTH PLATE FIXING SPRING						1	



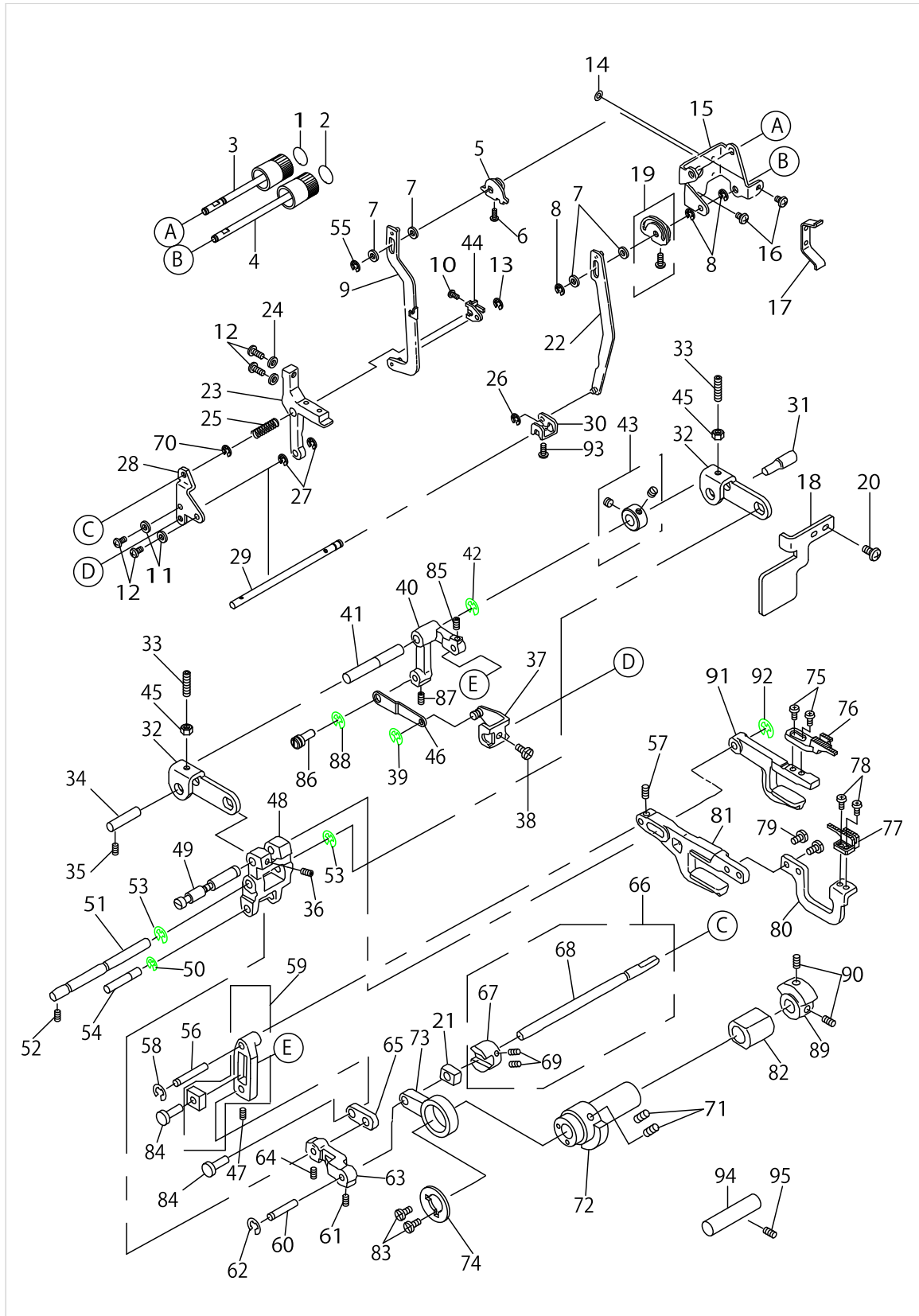
FEED MECHANISM COMPONENTS



FEED MECHANISM COMPONENTS

No.	Supply Code	Parts No.	Replacement	Parts name	Remarks	Choice	Step	Level	Cons	Qty	Rep. QTY
1		A160365DE00		LABEL (MAIN FEED)						1	
2		A160465DE00		LABEL (DIF. FEED)						1	
3		A1601655000A		MAIN FEED ADJUSTING KNOB						1	
4		A160265DE00A		DIF.FEED ADJUSTING KNOB						1	
5		A1613655000		MAIN FEED ADJUSTING CAM						1	
6		SM5030855SN		SCREW						1	
7		A1614655000		COLLAR						4	
8	R	RE0400000KR	RE0400000K0	E-RING						3	1.00
9		A16196550A0		MAIN FEED ADJUSTING LINK ASM.						1	
10		SM5030655SN		SCREW						1	
11		A1636534D00		WASHER						2	
12		SM5041055SN		SCREW						4	
13		RE0300000K0		E-RING						1	
14		A1614655000		WASHER						1	
15		A1610655000		KNOB SETTING PLATE						1	
16		SM5040655SN		SCREW						2	
17		A1611655000		SHAFT PRESSING PLATE						1	
18		A1613535000		FEED BASE GUIDE						1	
19		A1615534DA0		DIF.FEED ADJUSTING CAM ASM.						1	
20		SM4040655SN		SCREW						1	
21		A163876600C		MAIN FEED SLIDE BLOCK						1	
22		A1620534DA0		DIF.FEED ADJUSTING LINK ASM.						1	
23		A1634655000A		MAIN SHAFT HOLDER BRACKET						1	
24		WP0430801SC		WASHER						2	
25		A1633534D00		SPRING						1	
26		RE0300000K0		E-RING						1	
27		RE0500000K0		E-RING						2	
28		A1635534D00		MAIN SHAFT HOLDER						1	
29		A1662655000A		SHAFT						1	
30		A1655534D00		DIF.FEED ADJUSTING ARM(C)						1	
31		A1664534D00		DIF.FEED SHAFT(B)						1	
32		A1660534D00A		DIF.FEED SHAFT HOLDER						2	
33		SM8031202TP		SCREW						2	
34		A1663534D00		DIF.FEED SHAFT(A)						1	
35		SM8040402TP		SCREW						1	
36		SM8040402TP		SCREW						1	
37		A1657534DA0		DIF.FEED ADJUSTING ARM(B) ASM.						1	
38		SM5030655SN		SCREW						1	
39		RE0300000K0		E-RING						1	
40		A1661534D00		DIF.FEED ADJUSTING ARM(A)						1	
41		A1659534D00A		SHAFT						1	
42		RE0500000K0		E-RING						1	
43		A16637760A0		DIF.FEED ADJUSTING COLLAR ASM.						1	
44		A1630534D00		MAIN FEED ADJUSTING ARM						1	
45		NM6030001SE		NUT						2	

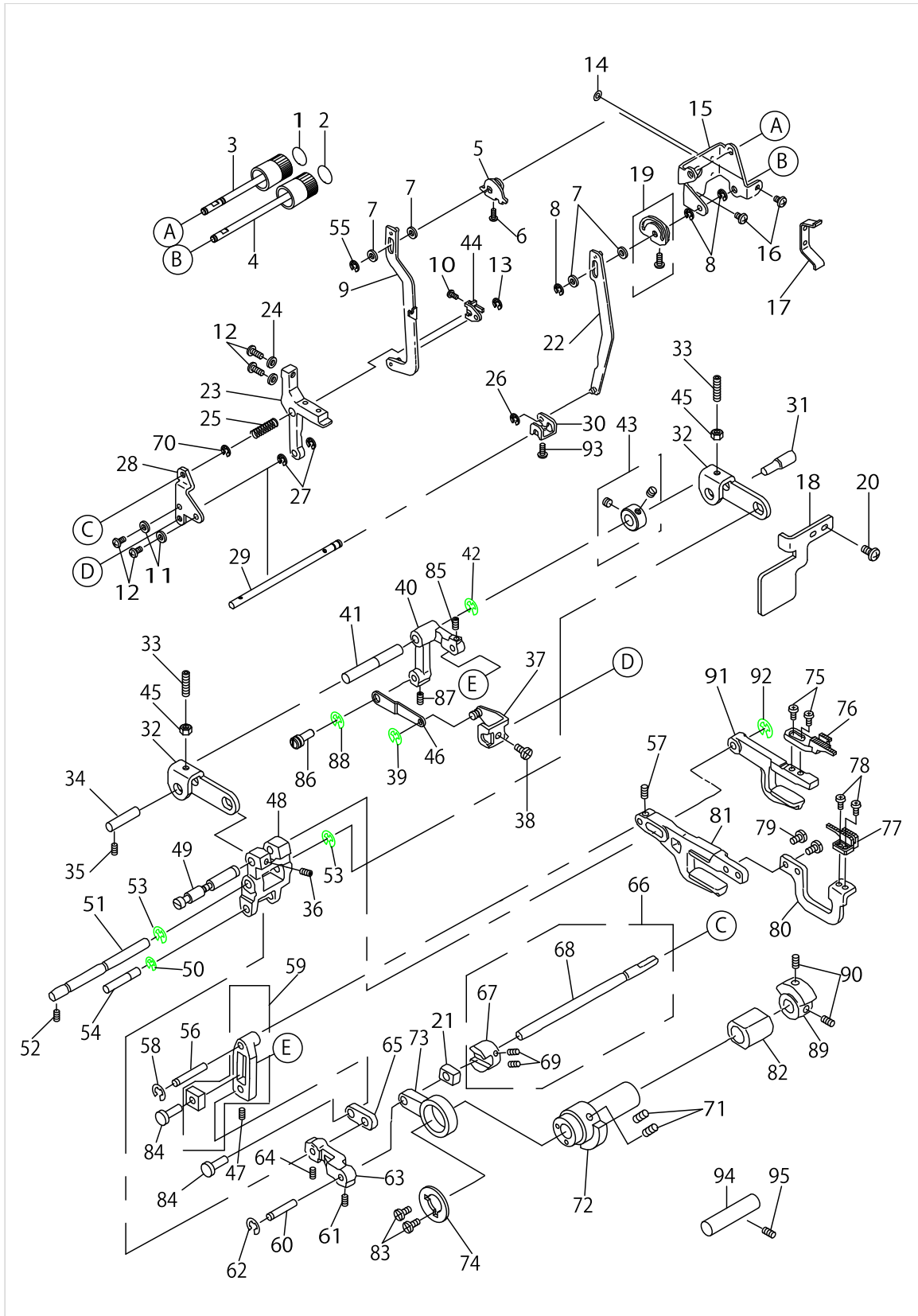
# FEED MECHANISM COMPONENTS



FEED MECHANISM COMPONENTS

No.	Supply Code	Parts No.	Replacement	Parts name	Remarks	Choice	Step	Level	Cons	Qty	Rep. QTY
46		A1653534D00A		DIF.FEED ADJUSTING LINK(A-1)						1	
47		SM8030402TP		SCREW						1	
48		A1645534D00		MAIN FEED ARM						1	
49		A1646534D00		BASE SUPPORTING SHAFT						1	
50		RE0400000K0		E-RING						1	
51		A1647534D00		MAIN FEED SHAFT						1	
52		SM8040402TP		SCREW						1	
53		RE0500000K0		E-RING						2	
54		A1641534D00		SHAFT						1	
55		RE0400000K0		E-RING						1	
56		A1665534D00		SHAFT						1	
57		SM8030302TP		SCREW						1	
58		RE0300000K0		E-RING						1	
59		A1651534DA0		DIF.FEED ARM ASM.						1	
60		A1639534D00		DIF.FEED SLIDE BLOCK SHAFT						1	
61		SM8030402TP		SCREW						1	
62		RE0400000K0		E-RING						1	
63		A1640534D00		MAIN FEED LINK						1	
64		SM8030402TP		SCREW						1	
65		A1650534D00		DIF.FEED LINK						1	
66		A1637534DA0		MAIN FEED ADJUSTING ASM.						1	
67		A1637534D00		MAIN FEED ADJUSTING				*		1	
68		A1631534D00		MAIN FEED ADJUSTING SHAFT				*		1	
69		SM8030402TP		SCREW				*		2	
70		RE0500000K0		E-RING						1	
71		SM8040602TP		SCREW						2	
72		A1617534D00A		MAIN FEED CAM						1	
73		A1616534D00		MAIN FEED ROD						1	
74		A1618534D00		MAIN FEED THRUST PLATE						1	
75		SM4030655SP		SCREW						2	
76		A1627634D00		MAIN FEED DOG						1	
77	R	A1642534D00	A1642534D0C	DIF.FEED DOG						1	1.00
78		SM4030655SP		SCREW						2	
79		SM9040700SP		SCREW						2	
80		A1648535000		DIF.FEED SETTING BASE						1	
81		A1639535000		DIF.FEED BASE						1	
82		A1630535000		VERTICAL FEED ADS.						1	
83		A1618534D0A		SCREW						2	
84		A2529335000		PIN						2	
85		SM8030402TP		SCREW						1	
86		A1654776000A		DIF.FEED ADJUSTING LINK(A)						1	
87		SM8030402TP		SCREW						1	
88		RE0500000K0		E-RING						1	
89		A1207503000		VERTICAL FEED BALANCE WEIGHT						1	
90		SM8040602TP		SCREW						2	
91		A1625535000		FEED BASE ARM						1	

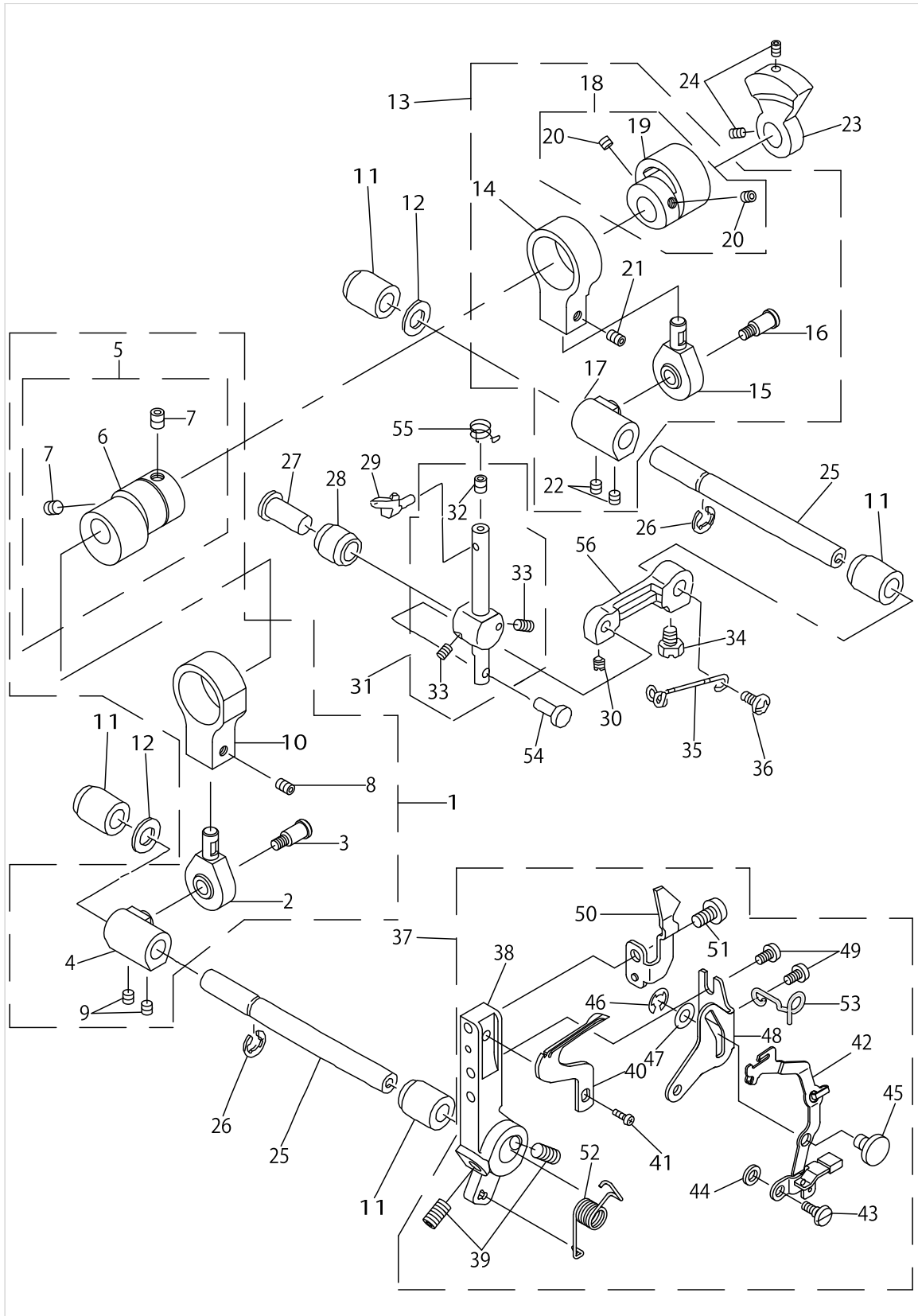
# FEED MECHANISM COMPONENTS



FEED MECHANISM COMPONENTS

No.	Supply Code	Parts No.	Replacement	Parts name	Remarks	Choice	Step	Level	Cons	Qty	Rep. QTY
92		RE050000K0		E-RING						1	
93		SM5030655SN		SCREW						1	
94		A1612535000		FEED BASE GUIDE ROD						1	
95		SM8040402TP		SCREW						1	

# LOOPER DRIVE COMPONENTS

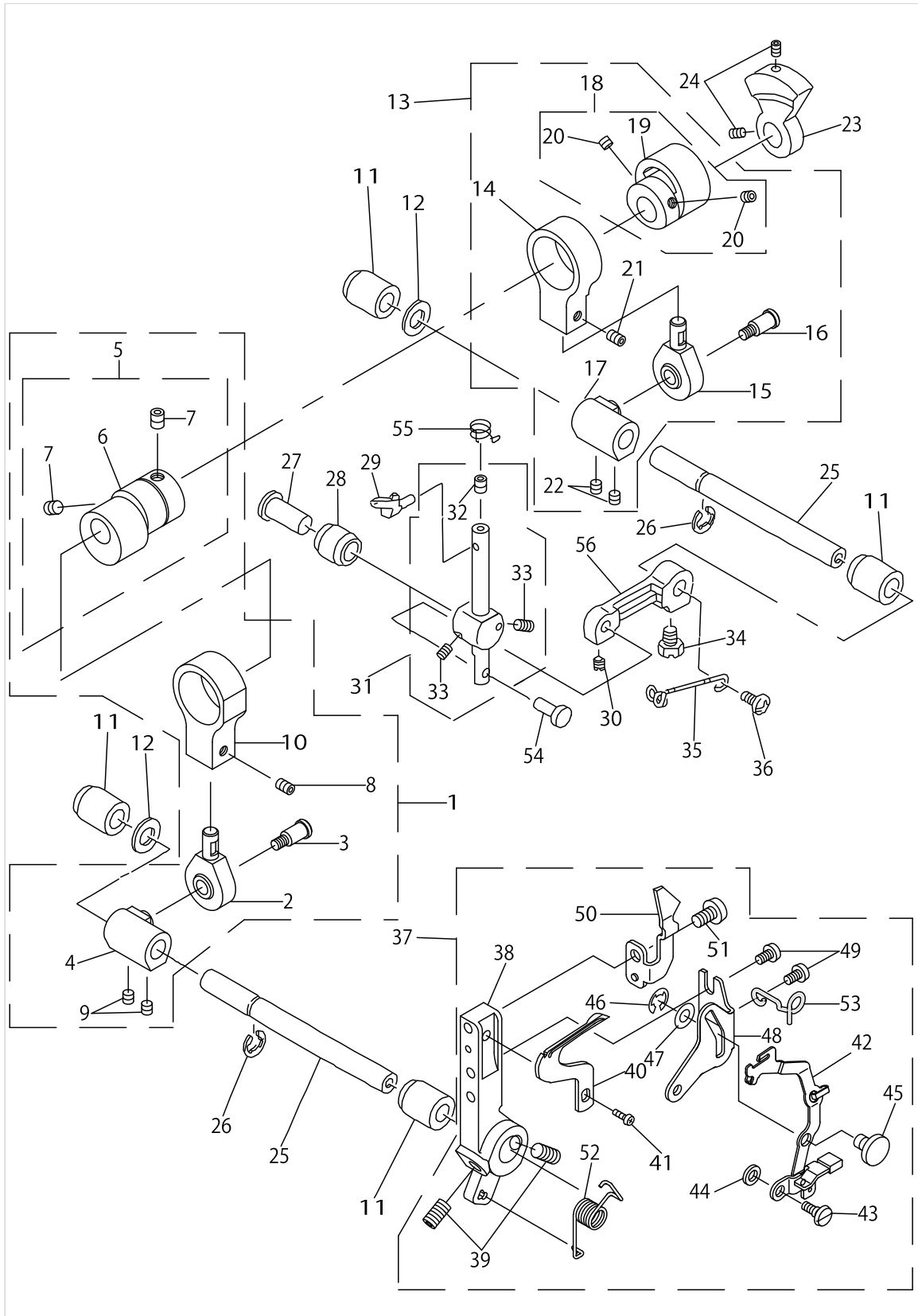


LOOPER DRIVE COMPONENTS

No.	Supply Code	Parts No.	Replacement	Parts name	Remarks	Choice	Step	Level	Cons	Qty	Rep. QTY
1		A25155340A0B		LOWER LOOPER ROD ASM.						1	
2		A2503776000		CONNECTING ROD				*		1	
3		A2504776000		CONNECTING SCREW				*		1	
4		A2505776000		UPPER LOOPER DRIVING ARM.				*		1	
5		A25145340A0B		LOWER LOOPER CAM ASM.				*		1	
6		A2514534000C		LOWER LOOPER CAM				*		1	
7		SM8050602TP		SCREW				*		2	
8		SM8040602TP		SCREW				*		1	
9		SM8040402TP		SCREW				*		2	
10		A2515534000A		LOWER LOOPER ROD				*		1	
11		A2112204000		BUSHING						4	
12		WP0820516SP		WASHER						2	
13	R	A25025340A0A	40061961	UPPER LOOPER ROD ASM.						1	1.00
14		A2502534000A		UPPER LOOPER ROD				*		1	
15		A2503776000		LOOPER DRIVING SHAFT				*		1	
16		A2504776000		LOOPER ROD SHAFT				*		1	
17		A2505776000		LOOPER DRIVING ARM				*		1	
18	R	A25015340A0A	40079509	UPPER LOOPER CAM ASM.				*		1	1.00
19		A2501534000A		UPPER LOOPER CAM				*		1	
20		SM8040402TP		SCREW				*		2	
21		SM8040602TP		SCREW				*		1	
22		SM8040402TP		SCREW				*		2	
23		A2550534000C		LOOPER BALANCER						1	
24		SM8030402TP		SCREW						2	
25		A2521534000		LOOPER SHAFT						2	
26		RE0600000K0		E-SHAPED SNAP RING (6MM)						2	
27		A2531534000		UPPER LOOPER GUIDE SHAFT						1	
28		A1675335000		HORI. FEED SHAFT METAL FRONT						1	
29		A2512234000		UPPER LOOPER						1	
30		SM8040402TP		SCREW						1	
31	R	A25303350AS	A25308000A0	UPPER LOOPER SLIDE STUD ASM.						1	1.00
32		SM8050602TP		SCREW				*		1	
33		SM8040402TP		SCREW				*		2	
34		SM9050850SP		SCREW						1	
35		A25196340A0		UPPER LOOPER TH- READ TAKE-UP						1	
36		SM4040655SN		SCREW						1	
37		A25176540A0B		LOWER LOOPER TH- READING DEVICE						1	
38		A251733500S		LOWER LOOPER SUPPORT ARM				*		1	
39		SM8040602TP		SCREW				*		2	
40		A252633500A		LOWER LOOPER				*		1	
41		SM5030655SN		SCREW				*		1	
42		A25346540B0A		LOWER LOOPER TH- READ GUIDE ASM.				*		1	
43		A253133500S		SCREW				*		1	
44		WP0320501SC		WASHER				*		1	
45		A253233500S		PIN				*		1	



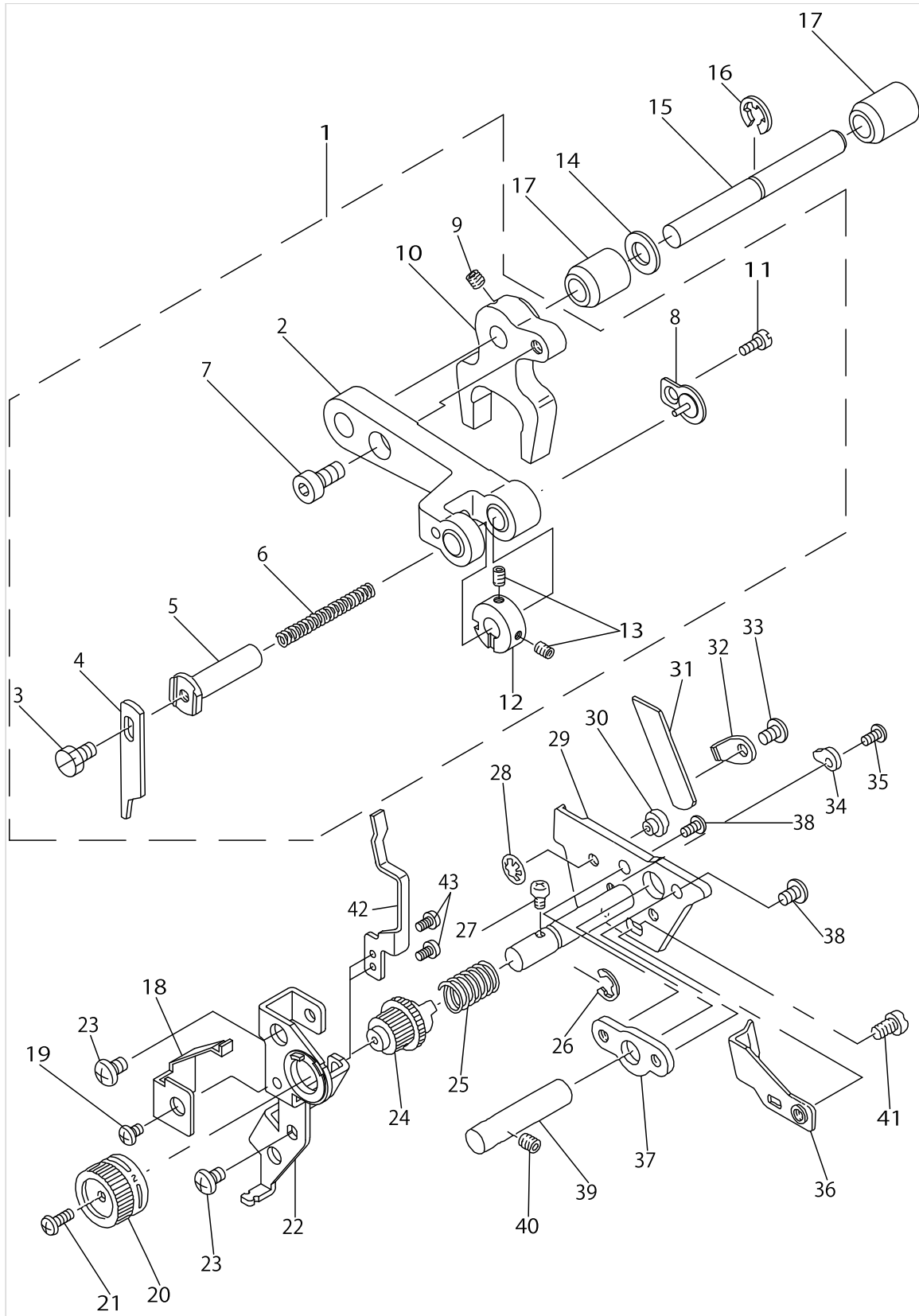
# LOOPER DRIVE COMPONENTS



LOOPER DRIVE COMPONENTS

No.	Supply Code	Parts No.	Replacement	Parts name	Remarks	Choice	Step	Level	Cons	Qty	Rep. QTY
46		RE020000K0		E-RING				*		1	
47		A253933500S		WASHER				*		1	
48		A253333500S		LOWER LOOPER TH- READ GUIDE BASE				*		1	
49		SM5030655SN		SCREW				*		2	
50		A2536554000A		MOVABLE NEEDLE GUARD (BACK)				*		1	
51		SM5030655SN		SCREW				*		1	
52		A253733500SA		LO LOOPER THREA- D GUIDE SPRING				*		1	
53		A25206540A0		LOWER LOOPER TH- READ TAKE-UP				*		1	
54		A2529335000		UPPER LOOPER ARM PIN						1	
55		A25215130A0		UPPER LOOPER THREAD GUIDE						1	
56		A2510334000		UPPER LOOPER OS- C.ARM CONNECT						1	

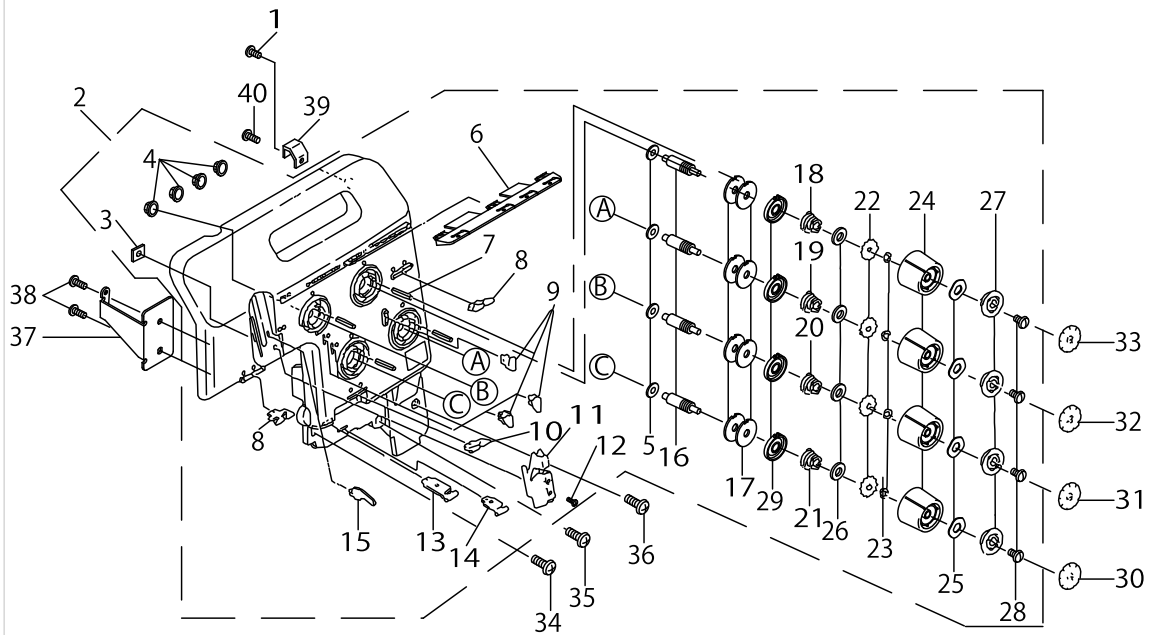
# KNIFE COMPONENTS



KNIFE COMPONENTS

No.	Supply Code	Parts No.	Replacement	Parts name	Remarks	Choice	Step	Level	Cons	Qty	Rep. QTY
1		A41016440A0		UPPER KNIFE DRIVING ARM ASM.						1	
2		A4101503000C		UPPER KNIFE DRIVING ARM				*		1	
3		SM9040700SP		SCREW				*		1	
4		A4142335000		UPPER KNIFE				*		1	
5		A4103535000		UPPER KNIFE HOLDER				*		1	
6		A4106535000		KNIFE PRESSER SPRING				*		1	
7		SM6051002TP		SCREW				*		1	
8		A41075020A0		KNIFE SPRING SUP- PORTING PLATE				*		1	
9		SM8040402TP		SCREW				*		1	
10	R	A4102535000	40072483	UPPER KNIFE FORKED ARM				*		1	1.00
11		SM1030601SP		SCREW				*		1	
12		A4105776000A		UPPER KNIFE TURNIG KNOB				*		1	
13		SM8030402TP		SCREW				*		2	
14		WP0820516SP		WASHER						1	
15		A4108535000		UPPER KNIFE SHAFT						1	
16		RE0600000K0		E-RING						1	
17		A2112204000		BUSHING						2	
18		A4140535000		L KNIFE ADJ CAM PRESSER SPRING						1	
19		SM4030455SP		SCREW						1	
20		A4130654000A		LOWER KNIFE ADJ. KNOB						1	
21		ST5030851SN		SCREW						1	
22		A41315350A0A		LOWER KNIFE ADJ. SUPPORT ASM.						1	
23		SM4040655SN		SCREW						1	
24		A4128535000		LOWER KNIFE ADJ.CAM						1	
25		A4136335000		LOWER KNIFE HOLDER SPRING						1	
26		RE0500000K0		E-RING						1	
27		SM4030601SN		SCREW						1	
28		A3205555A00		KNIFE ANGLE ADJ.- SUPPORT STOPPE						1	
29		A41215350AC		LOWER KNIFE HOLDER ASM.						1	
30		A4149535000		LOWER KNIFE ANG- LE ADJ.SUPPORT						1	
31		A4145335000		LOWER KNIFE						1	
32		A4123335000		LOWER KNIFE PRESSER PLATE						1	
33		SM4040655SP		SCREW						1	
34		A4124335000		LOWER KNIFE SUP- PORTING PLATE						1	
35		SM4030655SP		SCREW						1	
36		A4147535000		CHIP GUARD COVER STOPPER						1	
37		A4139655000		LOWER KNIFE HOLDER SUPPORT						1	
38		SM4040655SP		SCREW						2	
39		A4125502000		LOWER KNIFE HOLDER SHAFT						1	
40		SM8040402TP		SCREW						1	
41		SM4040655SP		SCREW						1	
42		A2535534000A		MOVABLE NEEDLE GUARD (FRONT)						1	
43		SM4030455SP		SCREW						2	

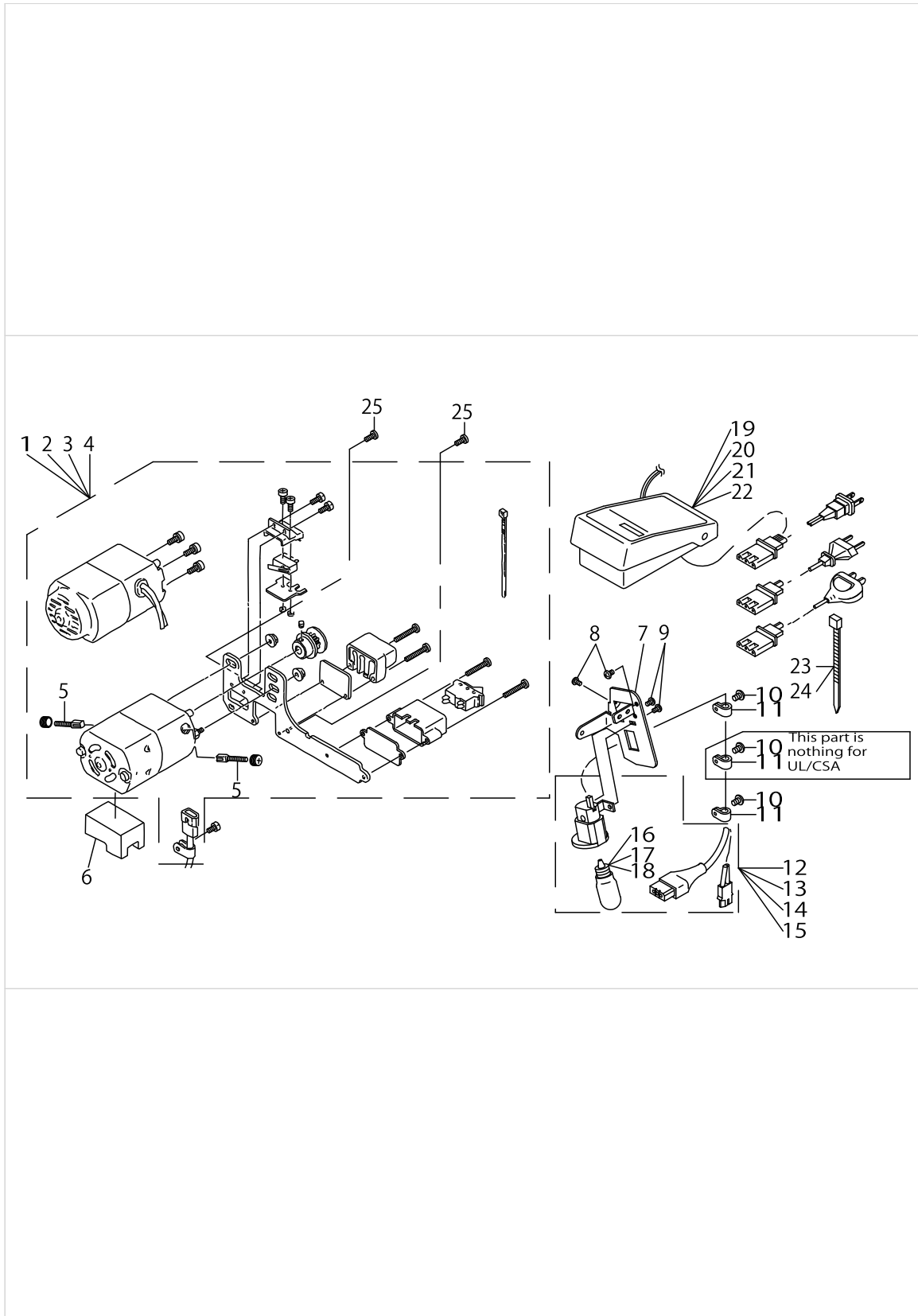
# THREAD TENSION COMPONENTS



THREAD TENSION COMPONENTS

No.	Supply Code	Parts No.	Replacement	Parts name	Remarks	Choice	Step	Level	Cons	Qty	Rep. QTY
1		SM5030655SN		SCREW						1	
2	R	A31016540A0A	40061501	FRONT COVER ASM.						1	1.00
3		A3151535000		NUT				*		1	
4		A3103502000		NUT				*		4	
5		WP0380516SD		WASHER				*		4	
6		A31076540B0		1 ST THREAD GUIDE				*		1	
7		PS0200202KH		PIN				*		4	
8		A3118204000		NEEDLE THREAD GUIDE				*		2	
9		A3110202000		THREAD GUIDE B				*		3	
10		A3157535000		THREAD GUIDE A				*		1	
11		A31195540A0		NEEDLE THREAD TAKE-UP COVER				*		1	
12		SM5030855SN		SCREW				*		1	
13		A31576340A0		THREAD GUIDE(C)(-UPPER LOOPER)				*		1	
14		A31576340AA		THREAD GUIDE(D)(-LOWER LOOPER)				*		1	
15		A3130634000		NEEDLE THREAD GUIDE PLATE				*		1	
16	R	A3102202000	A3102202000A	NEEDLE THREAD TENSION SHAFT				*		4	1.00
17		B3126352000		TENSION DISC				*		8	
18		A3901634000		SPRING				*		1	
19		A3901634000		SPRING				*		1	
20		A3906634000		SPRING				*		1	
21		A3902634000		SPRING				*		1	
22		A3134634000		TENSION NUT				*		4	
23		WP0510516SD		WASHER				*		4	
24	D	A3104654000A		THREAD ADJUSTING DIAL				*		4	
25		A3106202000		WAVED WASHER				*		4	
26		A3158535000		THREAD ADJUSTING SPRING WASHER				*		4	
27		A3105535000		DIAL PRESER PLATE				*		4	
28		A3109534000		SCREW				*		4	
29		A3900634000		THREAD TENSION SPRING BUSHING				*		4	
30		A3112644000		SEAL (UPPER LOOPER)						1	
31		A3114644000		SEAL (LEFT-HAND NEEDLE)						1	
32		A3113644000		SEAL (LOWER LOOPER)						1	
33		A3111644000		SEAL (RIGHT-HAND NEEDLE)						1	
34		SM5040655SN		SCREW						1	
35		SM5041055SN		SCREW						1	
36		SM5030855SN		SCREW						1	
37		A3154634000A		FRONT COVER SETTING HOLDER						1	
38		ST5031051SN		TAPPING SCREW						2	
39		A3158634000		FRONT COVER FIX PLATE (A)						1	
40		ST5031051SN		TAPPING SCREW						1	

# LAMP & MOTOR CONTROLLER COMPONENTS

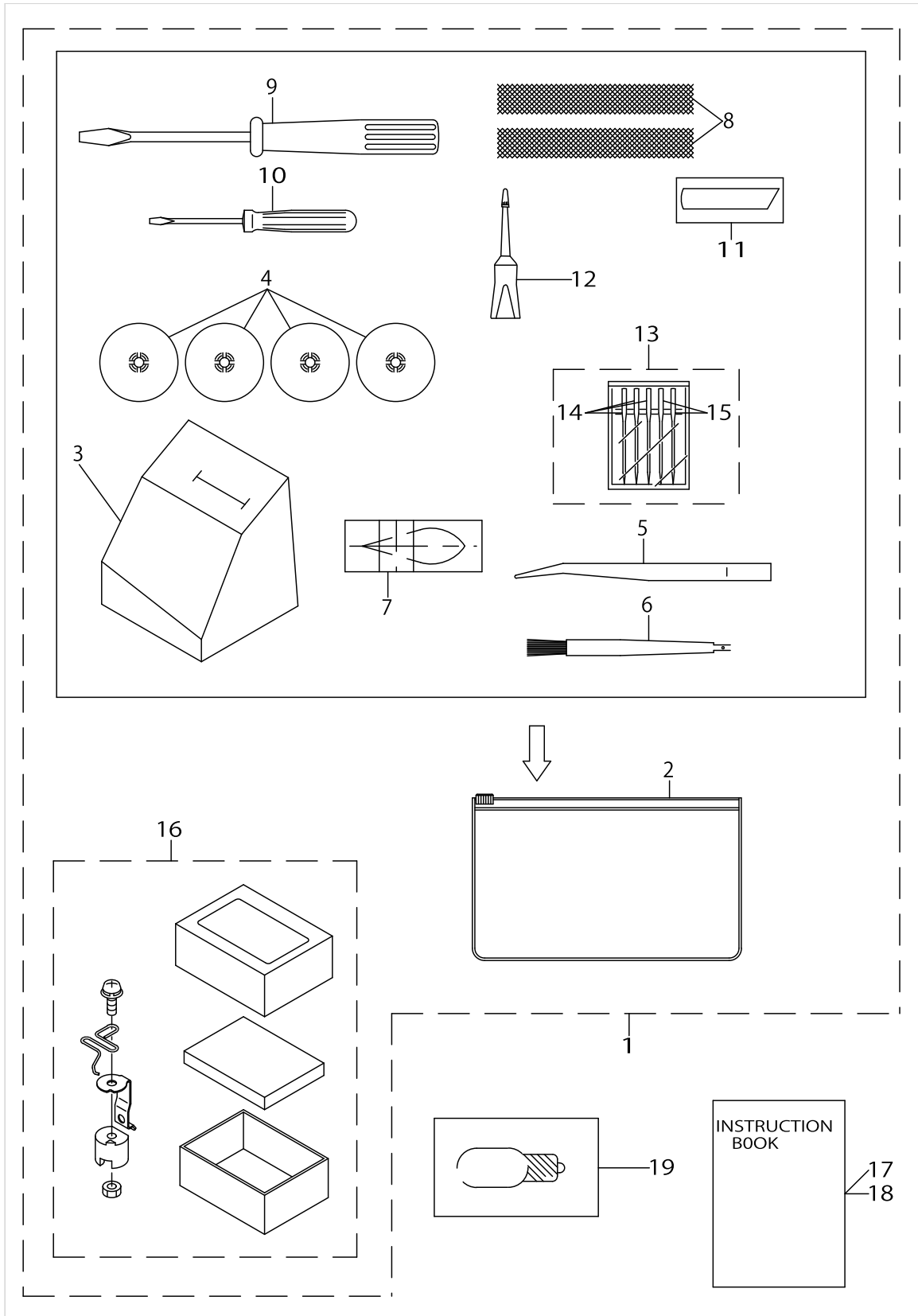


LAMP & MOTOR CONTROLLER COMPONENTS

No.	Supply Code	Parts No.	Replacement	Parts name	Remarks	Choice	Step	Level	Cons	Qty	Rep. QTY
1		A6301634HA0		MOTOR ASM.(SAUDI)						1	
2		A6301634DA0B		MOTOR ASM.(UL/CSA)						1	
3		A6301634GA0A		MOTOR ASM.(VDE)						1	
4		A6301634GA0A		MOTOR ASM.(SAA)						1	
5	R	A6090534000	40176231	CARBON BRUSH(UL/CSA)				*		2	1.00
6		A6003535000		MOTOR PROTECTOR						1	
7		A6007634000		LAMP HOLDER SUPPORT						1	
8		SM4040655SN		SCREW						2	
9		SM5030555SC		SCREW						2	
10		SM4040655SN		SCREW						3	
11		HX00150000B		CABLE CLIP						3	
12		A60066340A0		LAMP HOLDER ASM.(SAUDI)						1	
13	R	A600653401D	A60068000AAA	LAMP HOLDER ASM.(UL/CSA)						1	1.00
14		A60066340ABA		LAMP HOLDER ASM.(VDE)						1	
15		A60066340ABA		LAMP HOLDER ASM.(SAA)						1	
16		A6013535000		LAMP (UL/CSA)				*		1	
17		A6013534C00		LAMP (VDE/SAA)				*		1	
18	R	A6007134E00	A6007134E00A	LAMP (SAUDI)				*		1	1.00
19	D	A6401634H00		FOOT CONT. ASM.(SAUDI)						1	
20		A6401634DA0C		FOOT CONT. ASM.(UL/CSA)						1	
21		A64016440AAA		FOOT CONT. ASM.(VDE)						1	
22		A6401634GA0B		FOOT CONT. ASM.(SAA)						1	
23		EA9500B0200		CABLE BAND (VDE/SAA/SAUDI)						2	
24		EA9500B0200		CABLE BAND (UL/CSA)						1	
25		SL5040865SN		SCREW						2	



ACCESSORIES PARTS COMPONENTS



ACCESSORIES PARTS COMPONENTS

No.	Supply Code	Parts No.	Replacement	Parts name	Remarks	Choice	Step	Level	Cons	Qty	Rep. QTY
1		A91216540A0		ACCESSORY BAG ASM.						1	
2		A9121503000A		ACCESSORIES BAG WITH ZIPPER				*		1	
3		A9102644000		VINYL COVER				*		1	
4		A115098000A		SPOOL RETAINER				*		4	
5		A9109202000		TWEEZERS				*		1	
6	R	A9105334000	40065952	NEEDLE INSERTER TOOL/BRUSH				*		1	1.00
7		A91072020AA		NEEDLE THREADER WITH PACK				*		1	
8		A9116335000		PLASTIC NET				*		2	
9		A9103102000		SCREW DRIVER LARGE				*		1	
10		A9107800M00		SCREW DRIVER SMALL				*		1	
11		A41455340A0		LOWER KNIFE WITH PACK				*		1	
12		A91041020A0		OILER WITH OIL ASM				*		1	
13		A91176340A0		NEEDLE SET WITH CASE				*		1	
14		MHA100B1100		NEEDLE HAX1 #11				*		3	
15		MJL200B1100		NEEDLE JLX2 #11				*		2	
16		A91303350BS		2/3THREAD SELECTOR ATT.ASM.				*		1	
17		A915065400A		MANUAL(ENG/SPA/GAR/FRA)						1	
18		A915065400B		MANUAL(CZECH/POL/HUNG)						1	
19	R	A6013634HA0	A6013800A00A	LAMP ASM.(SAUDI)						1	1.00

## HOW TO MAKE USE OF THIS PARTS LIST

- 1.As to "#01" and "#02" refer to the "Note" given at the bottom of the respective pages.
- 2.Codes on the "Qty" column
  - Each numeral indicates the number of parts required.
  - "0.1" and "2.5" indicate the length (in meters) of the respective parts.
- 3.Parentheses mean that the corresponding part is a subpart that constructs an assembly part.
- 4.Dotted lines on the Figures indicate assembly parts.

# NUMERICAL INDEX OF PARTS

PART NO	PAGE	REF NO.	PART NO	PAGE	REF NO.	PART NO	PAGE	REF NO.
A1102644000	4	55	A1403335000A	6	16	A1633534D00	8	25
A11026440A0	4	53	A1404535000	6	11	A1634655000A	8	23
A1102644A00	4	56	A14066340A0	6	30	A1635534D00	8	28
A1102644AA0	4	54	A14066340B0	6	29	A1636534D00	8	11
A110365D000A	2	22	A1407102000	6	1	A1637534D00	10	67
A1104644000A	2	40	A1409634000	6	34	A1637534DA0	10	66
A11046440A0A	2	39	A1410634000	6	32	A163876600C	8	21
A1104644A00A	2	41	A1411335000	6	41	A1639534D00	10	60
A1106644000	2	18	A1412535000	6	4	A1639535000	10	81
A11153340A0	2	11	A1413613000	6	5	A1640534D00	10	63
A11153340B0A	2	10	A1414502000	6	14	A1641534D00	10	54
A1118644000A	2	6	A14145020A0	6	13	A1642534D00	10	77
A1119644000A	2	4	A1416777000	6	31	A1645534D00	10	48
A1120202000	2	2	A1501535000	6	20	A1646534D00	10	49
A1120334000	2	5	A15016340B0	6	38	A1647534D00	10	51
A11206440A0	2	1	A15016340C0	6	36	A1648535000	10	80
A1121202000	2	3	A1502535000	6	21	A1650534D00	10	65
A1123535000	4	58	A1503634000	6	19	A1651534DA0	10	59
A1124644000	2	19	A15045350A0	6	25	A1653534D00A	10	46
A1131203000	2	12	A1506644000	6	27	A1654776000A	10	86
A1132334000	2	13	A1507535000	6	23	A1655534D00	8	30
A1135535000	2	33	A15145350C0	6	37	A1657534DA0	8	37
A1136314DA0A	2	15	A1550634000	6	40	A1659534D00A	8	41
A1138335000	2	9	A1601655000A	8	3	A1660534D00A	8	32
A1145634A00	4	65	A160265DE00A	8	4	A1661534D00	8	40
A1145644000	2	20	A160365DE00	8	1	A1662655000A	8	29
A1146644000	2	16	A160465DE00	8	2	A1663534D00	8	34
A115098000A	24	4	A1610655000	8	15	A16637760A0	8	43
A115165D0A0B	2	27	A1611655000	8	17	A1664534D00	8	31
A115165DA00A	2	31	A1612535000	12	94	A1665534D00	10	56
A115165DB00A	2	29	A1613535000	8	18	A1675335000	14	28
A115165DBA0B	2	28	A1613655000	8	5	A2112204000	14	11
A1152654000B	2	30	A1614655000	8	14	A2112204000	18	17
A11536340A0	4	60	A1615534DA0	8	19	A2501534000A	14	19
A1156654000A	4	47	A1616534D00	10	73	A25015340A0A	14	18
A1160634000	2	43	A1617534D00A	10	72	A2502534000A	14	14
A11615350A0	2	34	A1618534D00	10	74	A25025340A0A	14	13
A1164535000	2	45	A1618534D0A	10	83	A2503776000	14	15
A1169634000	4	63	A16196550A0	8	9	A2504776000	14	16
A1171634000	2	35	A1620534DA0	8	22	A2505776000	14	17
A1190654000	2	36	A1625535000	10	91	A2510334000	16	56
A1207503000	10	89	A1627634D00	10	76	A2512234000	14	29
A1401535000A	6	17	A1630534D00	8	44	A2514534000C	14	6
A1402535000	6	9	A1630535000	10	82	A25145340A0B	14	5
A1403102000	6	3	A1631534D00	10	68	A2515534000A	14	10

# NUMERICAL INDEX OF PARTS

PART NO	PAGE	REF NO.	PART NO	PAGE	REF NO.	PART NO	PAGE	REF NO.
A25155340A0B	14	1	A3154634000A	20	37	A6090534000	22	5
A251733500S	14	38	A3157535000	20	10	A6301634DA0B	22	2
A25176540A0B	14	37	A31576340A0	20	13	A6301634GA0A	22	4
A25196340A0	14	35	A31576340AA	20	14	A6301634HA0	22	1
A25206540A0	16	53	A3158535000	20	26	A6401634DA0C	22	20
A25215130A0	16	55	A3158634000	20	39	A6401634GA0B	22	22
A2521534000	14	25	A3161634000	4	49	A6401634H00	22	19
A252633500A	14	40	A3205555A00	18	28	A64016440AAA	22	21
A2529335000	10	84	A3900634000	20	29	A9102644000	24	3
A2529335000	16	54	A3901634000	20	19	A9103102000	24	9
A25303350AS	14	31	A3902634000	20	21	A91041020A0	24	12
A253133500S	14	43	A3906634000	20	20	A9105334000	24	6
A2531534000	14	27	A4101503000C	18	2	A91072020AA	24	7
A253233500S	14	45	A41016440A0	18	1	A9107800M00	24	10
A253333500S	16	48	A4102535000	18	10	A9109202000	24	5
A25346540B0A	14	42	A4103535000	18	5	A9116335000	24	8
A2535534000A	18	42	A4105776000A	18	12	A91176340A0	24	13
A2536554000A	16	50	A4106535000	18	6	A9121503000A	24	2
A253733500SA	16	52	A41075020A0	18	8	A91216540A0	24	1
A2538554000	2	21	A4108535000	18	15	A91303350BS	24	16
A253933500S	16	47	A41215350AC	18	29	A915065400A	24	17
A2550534000C	14	23	A4123335000	18	32	A915065400B	24	18
A31016540A0A	20	2	A4124335000	18	34	B3126352000	20	17
A3102202000	20	16	A4125502000	18	39	EA9500B0200	22	24
A3103502000	20	4	A4128535000	18	24	HX00150000B	22	11
A3104654000A	20	24	A4130654000A	18	20	MHA100B1100	6	35
A3105535000	20	27	A41315350A0A	18	22	MHA100B1100	24	14
A3106202000	20	25	A4136335000	18	25	MJL200B1100	24	15
A31076540B0	20	6	A4139655000	18	37	NM6030001SE	8	45
A3109534000	20	28	A4140535000	18	18	PS0200202KH	20	7
A3110202000	20	9	A4142335000	18	4	RE0200000K0	16	46
A3111644000	20	33	A4145335000	18	31	RE0300000K0	8	58
A3112644000	20	30	A41455340A0	24	11	RE0300000K0	10	58
A3113644000	20	32	A4147535000	18	36	RE0400000K0	10	62
A3114644000	20	31	A4149535000	18	30	RE0400000KR	8	8
A3118204000	20	8	A6003535000	22	6	RE0500000K0	6	28
A31195540A0	20	11	A600653401D	22	13	RE0500000K0	8	92
A3123644A00A	2	32	A60066340A0	22	12	RE0500000K0	10	92
A3123644B00	2	26	A60066340ABA	22	15	RE0500000K0	12	92
A3123644C00	2	25	A6007134E00	22	18	RE0500000K0	18	26
A3130634000	20	15	A6007634000	22	7	RE0600000K0	6	7
A3134634000	20	22	A6013534C00	22	17	RE0600000K0	14	26
A3150535000	4	52	A6013535000	22	16	RE0600000K0	18	16
A3151535000	2	24	A6013634HA0	24	19	SL4040831SF	2	23
A3151535000	20	3	A6051634000	4	57	SL5031031SN	2	17

NUMERICAL INDEX OF PARTS

PART NO	PAGE	REF NO.	PART NO	PAGE	REF NO.
SL5040865SN	2	38	SM8040402TP	6	12
SL5040865SN	22	25	SM8040402TP	8	95
SM1030601SP	18	11	SM8040402TP	10	95
SM4020351SC	2	14	SM8040402TP	12	95
SM4030301SC	6	39	SM8040402TP	14	33
SM4030455SP	18	43	SM8040402TP	18	40
SM4030601SN	18	27	SM8040602TP	10	90
SM4030655SP	10	78	SM8040602TP	14	39
SM4030655SP	18	35	SM8050402TP	6	22
SM4040655SN	4	50	SM8050602TP	6	18
SM4040655SN	6	6	SM8050602TP	14	32
SM4040655SN	8	20	SM8050842TP	4	51
SM4040655SN	14	36	SM8060602TP	6	2
SM4040655SN	18	23	SM9040700SP	10	79
SM4040655SN	22	10	SM9040700SP	18	3
SM4040655SP	18	41	SM9050850SP	14	34
SM4040855SN	4	48	ST5030851SN	18	21
SM4850455SN	4	64	ST5031051SN	20	40
SM5030455SN	6	33	ST5041051SN	2	62
SM5030555SC	22	9	ST5041051SN	4	62
SM5030655SN	8	93	WP0320501SC	14	44
SM5030655SN	12	93	WP0380516SD	20	5
SM5030655SN	14	51	WP0430801SC	8	24
SM5030655SN	16	51	WP0510516SD	20	23
SM5030655SN	20	1	WP0820516SP	6	8
SM5030855SN	8	6	WP0820516SP	14	12
SM5030855SN	20	36	WP0820516SP	18	14
SM5032555SE	4	66			
SM5040655SN	8	16			
SM5040655SN	20	34			
SM5040855SN	2	61			
SM5040855SN	4	61			
SM5040855SN	6	26			
SM5041055SN	8	12			
SM5041055SN	20	35			
SM5043755SC	2	8			
SM5051255SN	2	59			
SM5051255SN	4	59			
SM6051002TP	18	7			
SM8030302TP	10	57			
SM8030402TP	10	87			
SM8030402TP	14	24			
SM8030402TP	18	13			
SM8031202TP	8	33			
SM8040402SP	6	15			