

**TURBO Low Band Blue Line series**  
Mobile Antennas 29...67.5 MHz



## DESCRIPTION

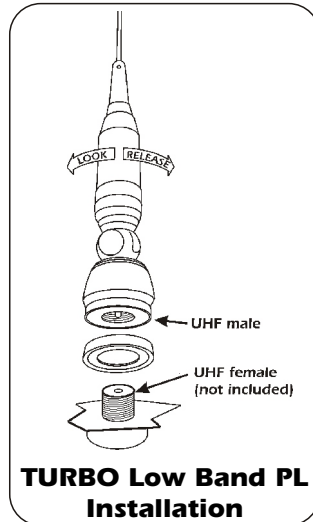
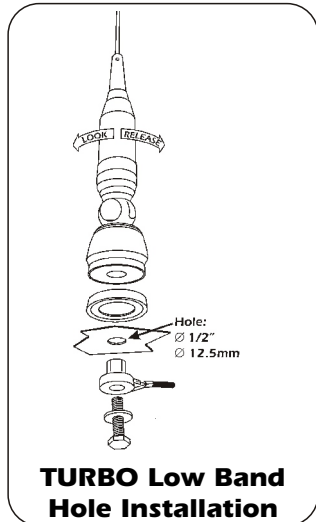
It's a series of vehicular antennas working on low band frequency by means of the enclosed cutting diagrams. The whip is made of 17/7 PH stainless steel and all the metallic parts are of chromed brass to get the best robustness. It is supplied with 4m cable or connection UHF-PL 259 for the installation on magnetic mount.

## SPECIFICATIONS

### Technical Data:

Type	: 1/4 Base Loaded
Frequency Range	: A type tunable 29.0...32.5 MHz : B type tunable 32.5...37.0 MHz : C type tunable 37.0...43.0 MHz : D type tunable 42.5...51.5 MHz : E type tunable 51.5...67.5 MHz
Impedance	: 50
Polarization	: Linear Vertical
Gain	: 0 dB ref. to /4 whip
SWR @ res. freq.	: 1.2 @ lower frequency
Bandwidth @ SWR 2	: A type 1.2 MHz @ 29 MHz : B type 1.8 MHz @ 32.5 MHz : C type 2.1 MHz @ 37 MHz : D type 3.1 MHz @ 42.5 MHz : E type 7.5 MHz @ 51.5 MHz
Max. Power	: 250 Watts (CW) @ 30 C
Grounding Protection	: All metal parts are DC-grounded, inner conductor shows a DC-short
Connector	: TURBO Low Band NE-TURBO connection : TURBO Low Band PL UHF-male (PL 259)
Cable length / Type	: 4 m / RG 58 (TURBO Low Band only)
Height (approx.)	: 1450 mm
Weight (approx.)	: 400 gr
Mounting hole	: hole 12.5 mm (TURBO Low Band only)

## MOUNTING INSTRUCTIONS



## TYPICAL TUNING DIAGRAMS

